

[ USA ]



**PLEASE - BEFORE RETURNING TO STORE:  
Contact Huffy Customer Service.  
We are glad to assist you  
with any parts or assembly problems you might have!**

For Fast Customer Service and email:  
[www.huffybikes.com/contact](http://www.huffybikes.com/contact)  
OR TEL: 1 800 872 2453 (US)  
8877 Gander Creek Drive  
Miamisburg, OH 45342

To Order Parts:  
[www.huffybikes.com/parts](http://www.huffybikes.com/parts)

[ CANADA ]

**PLEASE - BEFORE RETURNING TO STORE:  
Contact Huffy Customer Service.**

**We are glad to assist you with any parts or assembly problems you might have!**

**AVANT DE RETOURNER AU MAGASIN :**

**Communiquiez avec le service à la clientèle de Huffy. Nous vous aiderons  
volontiers avec tout problème concernant les pièces ou le montage!**

For fast customer service in Canada / Pour un service à la clientèle rapide au Canada :  
Call / Appelez : 1-800-872-2453

Or Email / Ou Courriel : [huffycanada@huffy.com](mailto:huffycanada@huffy.com)

Or visit / Ou visitez : : [www.huffybikes.com/global-contacts](http://www.huffybikes.com/global-contacts)

[ MÉXICO ]

**ANTES DE DEVOLVER EL PRODUCTO A LA TIENDA:**

**Comuníquese Con Servicio Al Cliente De Huffy. Nos Complace Ayudarlo Con  
Cualquier Parte O Problema De Ensamblado Que Pudiera Tener.**

Para obtener Servicio al cliente rápido, visite:

[www.huffybikes.com.mx](http://www.huffybikes.com.mx)

● LLAME AL TEL:

800 1 HUFFY 1 (800 1 48339 1)

(Mexico only)

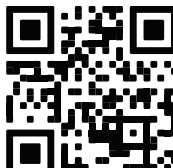
Para comunicarse por correo electrónico:

[servicio.mexico@huffy.com](mailto:servicio.mexico@huffy.com)



For ASSEMBLY Help:  
Aide à l'ASSEMBLAGE :  
Ayuda de la ASAMBLEA:

<https://www.huffybikes.com/global-contacts/>



for current contact information /  
pour les informations de contact  
actuelles / para obtener la  
información de contacto actual

Please REGISTER your Product:  
Veuillez ENREGISTRER l'article :  
Por favor, REGISTRE su producto:



H-eTHIN-RD 09-25-24 m1102 EN



Date Code Label  
Here

## Owner's Manual for 36-volt e-Bike



**NOTE:** Please read and understand the **LCD Display G51 User Manual** that comes with this product before your first ride!



**This manual contains important safety, assembly, operation and maintenance information.**

**Please read and fully understand this manual before operation.**

Save this manual for future reference.



Always wear approved helmet and safety equipment when using this product.



© Copyright Huffy Corporation 2024

**See back page for Customer Service Information**







## Limited Warranty - EN

### General:

Part or model specifications are subject to change without notice.

This Limited Warranty is the only warranty for the product. ALL WARRANTIES OTHER THAN STATED HEREIN ARE DISCLAIMED INCLUDING IMPLIED WARRANTIES OF MERCHANTABILITY AND FITNESS FOR A PARTICULAR PURPOSE, TO THE EXTENT ALLOWABLE BY APPLICABLE LAW. ALL LIABILITY FOR INCIDENTAL, PUNITIVE, SPECIAL, OR CONSEQUENTIAL DAMAGES ARE EXPRESSLY DISCLAIMED, TO THE EXTENT ALLOWABLE BY APPLICABLE LAW.

The only uses for this product are described in this manual.

Warranty registration is not required.

The Limited Warranty extends only to the original consumer and is not transferable to anyone else.

### What does this Limited Warranty cover?

This Limited Warranty covers defects in workmanship and materials for all parts of the product except those indicated below as not warranted.

### What must you do to keep the Limited Warranty in effect?

*This Limited Warranty is effective only if:*

- Product is completely and correctly assembled.
- Product is used under normal conditions for its intended purpose (see the following section for excluded activities).
- Product receives all necessary maintenance and adjustments.
- Product is used for general transportation and recreational use only.

### What is not covered by this Limited Warranty?

This product is designed for recreational use only. This Limited Warranty does not cover normal wear and tear, normal maintenance items, or any damage, failure, or loss that is caused by improper assembly, maintenance, adjustment, storage, or use of the product. This Limited Warranty does not extend to future performance.

### This Limited Warranty will be void if the product is ever:

- Used in any competitive sport.
- Used for stunt riding, jumping, aerobatics or similar activity.
- Modified in any way.
- Modified with the addition of a motor.
- Ridden by more than one person at a time.
- Exceeds weight limit.
- Rented, sold, or given away.
- Used in a manner contrary to the instructions and warnings in this Owner's Manual.

### What will The Manufacturer do?

Manufacturer's sole and exclusive obligation under this Limited Warranty is to repair and/or replace, at its sole option, any covered defect in workmanship or materials.

### How do you get service?

Contact the Customer Service Department.

- See included list for Customer Contact information.

### What rights do you have?

This Limited Warranty gives you specific legal rights. You may also have other rights which vary from State to State.

### For how long does this Limited Warranty last?

- When used in this Limited Warranty, the phrase "for life" means for as long as the original consumer owns the product.
- The frame is warranted for life except Aluminum/Carbon frames which are warranted for ten (10) years.
- The fork is warranted for life except for shock forks which are warranted one (1) year.
- Drive Battery - 2 years
- Electronics - 2 years
- All other Components - 6 months

All warranties are from the date of delivery.



## WARNING - TO AVOID SERIOUS INJURY:

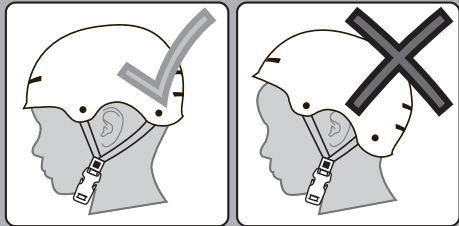
Failure of the rider to obey the following Safety Warnings can result in serious injury or death. Check local laws governing the use of electrical vehicles.

- **SUPERVISION NECESSARY WHEN USED NEAR CHILDREN.**
- **DO NOT USE THE VEHICLE IN AN UNSAFE MANNER OR AT AN UNSAFE SPEED. Not intended for jumps - this can damage the product.**
- **CHOKING HAZARD:** Small parts, adult assembly required.
- Before using this product, fully understand the controls and safety issues. Riders must demonstrate the capability and skill to handle the vehicle and operate its controls to avoid falls or collisions.
- Obey all traffic regulations, signs, and signals.
- Before each ride, check that the steering system is correctly adjusted and that all connection components are firmly secured and not broken.
- While using the product, keep hands and fingers away from wheels and other moving parts to avoid danger of pinching or entrapment.
- Riders should always wear a properly fitted helmet that complies with U.S. Consumer Product Safety Commission (CPSC) Standard 16 CFR 1203 or equivalent standard for your country.
- **Always wear shoes.** Gloves, knee and elbow pads recommended.
- Ride on the correct side of the road, in a single file, and in a straight line.
- There are additional hazards of using the vehicle in areas other than private grounds.
- If possible, avoid riding at night, dusk, dawn and any other time of poor visibility.
- **IF YOU MUST RIDE AT NIGHT OR AT TIME OF POOR VISIBILITY:**
  - Use a correctly installed headlight and taillight.
  - Headlights are required by all states for nighttime riding and taillights are required in some states.
  - Battery-powered lights or flashing safety lights are also recommended.
- **MAKE YOURSELF MORE VISIBLE TO MOTORISTS.**
  - **Reflectors:** For your own safety, do not ride the bicycle if the reflectors are incorrectly installed, damaged, or missing. Make sure the front and rear reflectors are vertical. Do not allow the visibility of the reflectors to be blocked by clothing or other articles. Clean the reflectors, as necessary, with soap and a damp cloth.
  - Wear light-colored or reflective clothing, such as a reflective vest and reflective bands for your arms and legs.
  - Use reflective tape on your helmet.
- **USE EXTRA CAUTION IN WET WEATHER:**
  - Ride slowly on damp surfaces because the tires will slide more easily.
  - Allow increased braking distance in wet weather.
- **AVOID HAZARDS TO PREVENT LOSS OF CONTROL OR DAMAGE TO YOUR WHEELS:**
  - Be aware of drain grates, soft road edges, gravel or sand, pot holes or ruts, wet leaves, or uneven paving.
  - Cross railroad tracks at a right angle to prevent the loss of control.
  - Do not carry any passengers.

**! WARNING - TO AVOID SERIOUS INJURY:**

- Do not carry any items or attach anything to your bicycle that could hinder your vision, hearing, or control.
- Do not ride with both hands off the handlebar.
- Do not tow or push the product.
- Do not tow anything behind the product.
- Do not modify the product.
- Replace worn or broken parts immediately with original equipment.
- If anything does not operate properly, discontinue use.
- **DO NOT TAMPER WITH THE ELECTRICAL SYSTEM:** Doing so may create a short, causing the fuse to trip or other damage including fire.
- **Risk of Fire:** Do not bypass fuse. Replace only with original size and type.
- The supply terminals are not to be short-circuited.
- Non-rechargeable batteries are not to be recharged.
- Batteries are to be inserted with the correct polarity.
- Rechargeable batteries are only to be charged by adults.
- The battery chargers used with the product are to be regularly examined for damage to the cord, plug, enclosure and other parts, and in the event of such damage, they must not be used until the damage has been repaired.
- Changes or modifications to this unit not expressly approved by the party responsible for compliance could void the user's authority to operate the equipment.
- Do not use the vehicle in unsafe conditions such as snow, rain, loose dirt, mud sand or fine gravel. This may result in unexpected action such as tip over and skidding. Using the vehicle in loose dirt, mud, sand, or fine gravel may damage the electronics and gear box inside the vehicle.
- Do not overload the vehicle.
- Do not drive in very hot weather, components may overheat. Do not allow water or other liquids to come in contact with the battery or other electric components.
- Do not make modifications to the motor to allow it to exceed original power output wattage and speeds.

**ALWAYS WEAR YOUR HELMET WHEN RIDING THIS PRODUCT!**



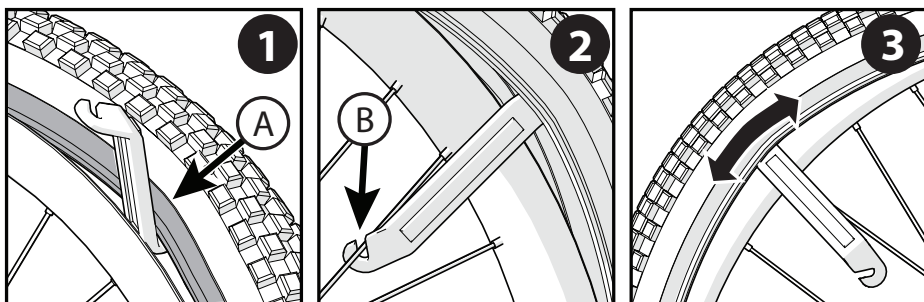
Always read the user manual that comes with your helmet to make sure it is fitted and attached properly to the wearer's head according to the fitting instructions described in the user manual.

**Troubleshooting**

Symptoms	Possible Cause	Solution
Display is on, motor does not work or works slowly/intermittently	Battery voltage is low	Charge Battery
	Battery is loose in compartment	Re-seat Battery
	Wire Harness connectors loose	Check that Harness connectors are firmly attached
Reduced ride time	Battery is low	Recharge
	Battery does not hold a charge	Replace Battery
Battery does not fully charge	Battery at end of life	Replace Battery
	Charger not connected correctly	Re-check charger connections at battery and wall socket
	Battery not fully seated	Re-seat Battery
Display does not turn on	Wire Harness connectors loose	Check that Harness connectors are firmly attached
	Display bad	Replace Display
No Pedal assist	Power is off	Turn Power on
	Wire Harness connectors loose	Check that Drive Motor Harness connectors are firmly attached
	Motor bad	Replace Motor
	Speed sensor magnet not aligned	Align magnet on wheel with sensor on frame near motor

## Tire and Tube Installation

### STEP 1 - REMOVE EXISTING TIRE AND TUBE:

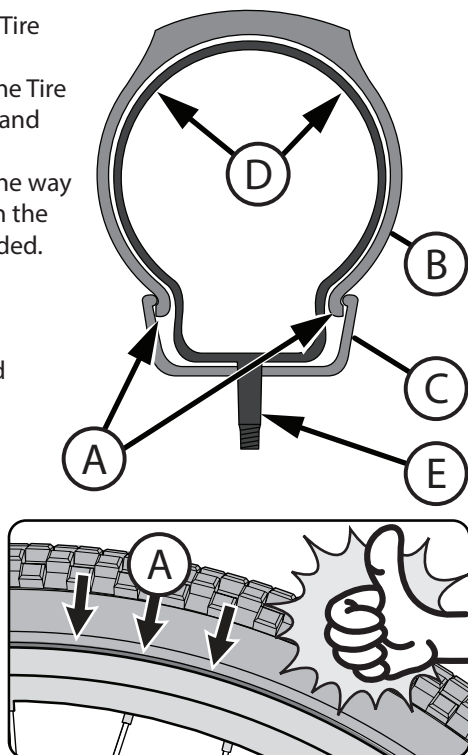


#### STEPS (start opposite Filler Valve):

1. Squeeze deflated tire inwards and insert Tire Lever under Tire Bead (A).
2. Hook end of Tire Lever on a Spoke (B).
3. Insert second Tire Lever and slide along rim to remove tire bead.
4. Remove Inner Tube and Tire.
5. Inspect for cause of flat and remove any foreign object from the tire if necessary.

### STEP 2 - INSTALLING NEW TIRE AND TUBE:

1. Using your hands, start with one Bead (A) of Tire (B) and install it all the way around Rim (C).
2. Insert a slightly inflated Inner Tube (D) into the Tire and make sure the Valve Stem (E) is straight and aligned with the Rim Hole.
3. Work the second Tire Bead onto the Rim all the way around. This will take a little more effort than the first Tire Bead did. Use Tire Lever Tools if needed.
4. **Make sure the Tube does not get pinched between Rim and Tire.**
5. Inflate Tire just enough that it takes shape.
6. Double check that both Tire Beads are seated properly and that the Valve Stem is pointing straight out.
7. Fully inflate tube to recommended pressure listed on Tire side wall - **do not over-inflate.**
8. Install Valve Cap.



## ! Lithium-Ion Battery & Charger Warnings:



The following safety hazards may result in serious injury or death to the user of the vehicle:

- Battery Charger for Indoor use only. Use of a battery or charger other than the supplied rechargeable battery and charger may cause a fire or explosion. Only use the supplied rechargeable battery (or lead-acid or lithium suitable replacement) and charger with the vehicle.
- Using the rechargeable battery and charger for any other product may result in overheating, fire or explosion. Never use the rechargeable battery and charger with another product.
- Explosive gases are created during charging. Charge the battery in a well ventilated area.
- Do not charge the battery near heat or flammable materials.
- All large lithium batteries are a potential fire risk and should be charged in a safe place, preferably in the middle of a garage floor.
- Never charge a lithium battery unsupervised.
- Only an adult who has read and understands the safety warnings should handle, charge or recharge of the battery.
- Contact between the positive and negative terminals may result in fire or explosion. Avoid direct contact between the terminals. Picking up the battery by the wires or charger can cause damage to the battery and may result in a fire. Always pick up the battery by its case or handles.
- Battery must be handled by adults only. Liquids on the battery may cause fire or electric shock. Always keep all liquids away from the battery and keep the battery dry.
  - Contact or exposure to battery leakage may cause serious injury. If contact or exposure occurs immediately call your physician. If the chemical is on the skin or in the eyes, flush with cool water for 15 minutes. If the chemical was swallowed, immediately give the person water or milk. Do not give water or milk if the patient is vomiting or has a decreased level of alertness. Do not induce vomiting.
- Battery Posts, terminals and related accessories contain lead and lead compounds (acid), chemicals known to cause cancer, reproductive harm and are toxic and corrosive. Never open the battery.
- Tampering or modifying the electric circuit system may cause a shock, fire or explosion and permanently damage the system. Exposed wiring and circuitry in the charger may cause electric shock. Always keep the charger housing closed.
- Non-rechargeable batteries are not to be recharged.
- Batteries are to be inserted with the correct polarity.
- The supply terminals are not to be short-circuited.
- Batteries are only to be charged by adults.
- The battery chargers used with the product are to be regularly examined for damage to the cord, plug, enclosure and other parts, and in the event of such damage, they must not be used until the damage has been repaired.
- Recommended charging temperature: 32 °F to 112 °F (0 °C to +45 °C)
- Recommended riding temperature: -5 °F to 105 °F (-20 °C to +40 °C)
- Charger model: DPLC058V29Y# made by D-power

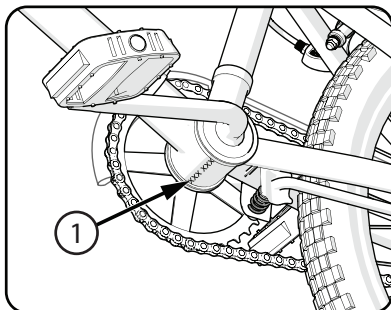
## Owner's Bicycle Identification Record

**NOTE:** This information is only available on the bicycle itself.

Each bicycle has a Recovery Code stamped into the frame. The Recovery Code ① can be found on the bottom of the crank housing as shown.

Write this number below to keep it for future reference.

If the bicycle is stolen, give this number and a description of the bicycle to the police. This will help them find the bicycle.



**Recovery Code:** \_\_\_\_\_

**Purchase Date:** \_\_\_\_\_

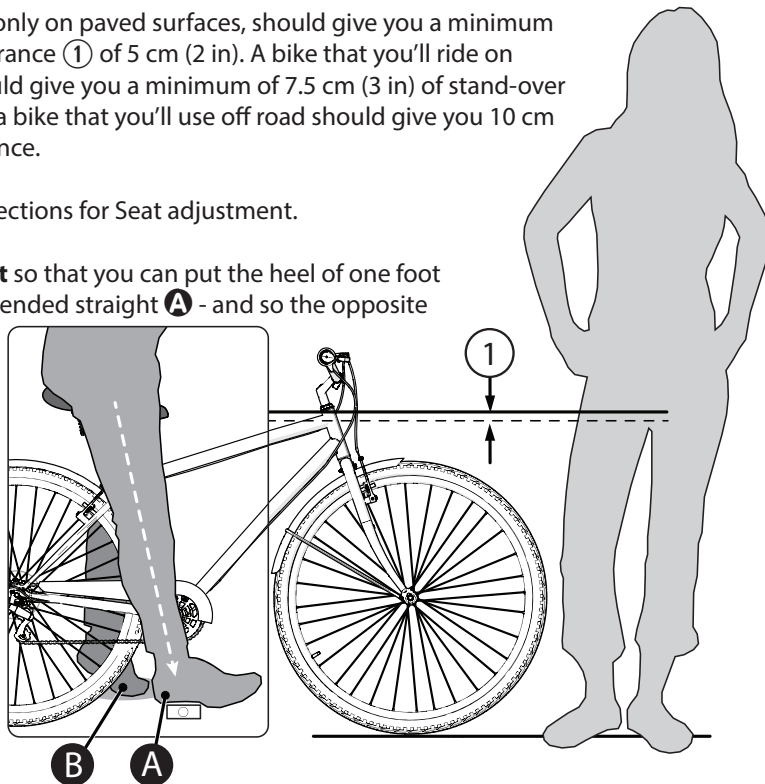
**Model Name:** \_\_\_\_\_

## Fitting the Rider to the Bicycle

A bike which you ride only on paved surfaces, should give you a minimum stand-over height clearance ① of 5 cm (2 in). A bike that you'll ride on unpaved surfaces should give you a minimum of 7.5 cm (3 in) of stand-over height clearance. And a bike that you'll use off road should give you 10 cm (4 in) or more of clearance.

**NOTE:** See Assembly sections for Seat adjustment.

**Adjust the seat height** so that you can put the heel of one foot on a pedal with leg extended straight **A** - and so the opposite foot can reach the ground with tip of foot **B**. This will give your knees a slight bend when pedalling with the ball of the foot.



## Tires

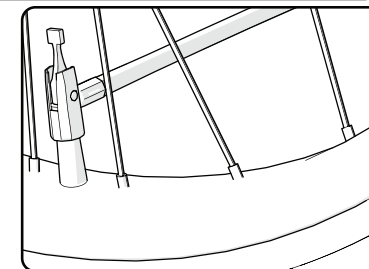
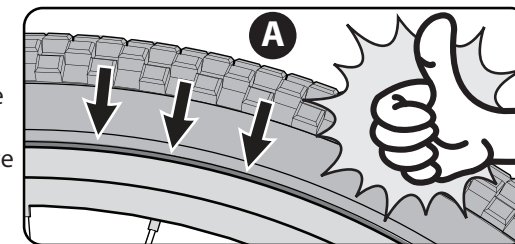
### Maintenance:

- Frequently check the tire inflation pressure because all tires lose air slowly over time. For extended storage, keep the weight of the bicycle off the tires.
- Do not use unregulated air hoses to inflate the tire/tubes. An unregulated hose can suddenly over inflate bicycle tires and cause them to burst.
- Replace worn tires.

**! WARNING:** Do not ride or sit on the bicycle if a tire is under inflated. This can damage the tire, inner tube and rim.

### INFLATING THE TIRES:

- Use a hand or a foot pump to inflate the tires.
- Service station meter-regulated air hoses are also acceptable.
- The maximum inflation pressure is shown on the tire sidewall.



**NOTE:** Inflate tire to 50% of the recommended PSI range. Make sure the edge of the tire (the bead) is the same distance from the rim, all around the rim, on both sides of the tire **A**. If the tire does not appear to be seated correctly, release air from the inner tube until you can push the bead of the tire into the rim where necessary. Add air slowly and stop frequently to check the tire seating and the pressure, until you reach the correct inflation pressure.

### Recommended Tire Pressure (kilopascals):

Frequently check the tire inflation pressure because all tires lose air slowly over time. For extended storage, keep the weight of the product off the tires.

Recommended tire pressure is marked on the side of the tire.

(PSI to Kpa Conversion)	
PSI	Kpa
20	140
30	210
40	275
50	345
60	415

## Lithium-Ion Battery Storage and Disposal

Do not leave batteries unused for extended periods of time, either in the product or in storage. When a battery has been unused for 6 months, check the charge status and charge or dispose of the battery as appropriate.

### STORAGE:

- Charge or discharge the battery to approximately 50% of capacity before storage.
- Charge the battery to approximately 50% of capacity at least once every six months.
- Remove the battery and store it separately from the product.
- Store the battery at temperatures between 41°F - 68°F (5°C - 20°C).
- Do not store battery in extreme hot or cold temperatures.
- Wipe the battery clean with a dry cloth prior to storage. Wash cloth separate from other clothes.

### BATTERY MAINTENANCE:

Observe and note the run time that a new fully-charged battery provides for powering your product. Use this new battery run time as a basis to compare run times for older batteries. The run time of your battery will vary depending on the product's configuration and the applications that you run.

- Routinely check the battery's charge status.
- Carefully monitor batteries that are approaching the end of their estimated life.
- Consider replacing the battery with a new one if you note either of the following conditions:
  - The battery run time drops below about 80% of the original run time.
  - The battery charge time increases significantly
- Discontinue use and have the battery checked or replaced in the following conditions:
  - There is a change in the shape or color of the battery.
  - There is a strange odor or noise associated with the battery.
  - The battery overheats or leaks.

### BATTERY DISPOSAL:

- Lithium-Ion batteries must be recycled or disposed of in an environmentally sound manner.
- Lithium-Ion batteries are subject to disposal and recycling regulations that vary by country and region. Always check and follow your applicable regulations before disposing of any battery.
- Do not dispose of battery in a fire. The battery may explode or leak acid.
- Do not dispose of the battery in household trash. The incineration, land filling or mixing of sealed Li-ion/lead-acid batteries with household trash is prohibited by law.
- Return an exhausted battery to a federal or state approved Li-ion/lead-acid battery recycler. (check local battery disposal regulations).

## Introduction to Assembly

THIS OWNER'S MANUAL IS MADE FOR SEVERAL DIFFERENT BICYCLES:

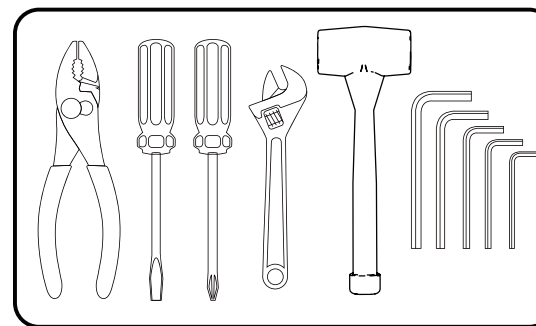
- Some illustrations may vary slightly from the actual product.
- Follow instructions completely.
- If the bicycle has any parts that are not described in this manual, look for separate "Special Instructions" that are supplied with the bicycle.
- Models may have different accessory items such as bags, baskets, reflectors, cup holders, racks, etc.
- All features, components and accessories are not included on all models.
- Use the Index page to locate specific sections of this manual.
- Please read through this entire manual before beginning assembly or maintenance.
- If you are not confident with assembling this unit, refer to a local bike shop.



**WARNING:** Keep small parts away from children during assembly.

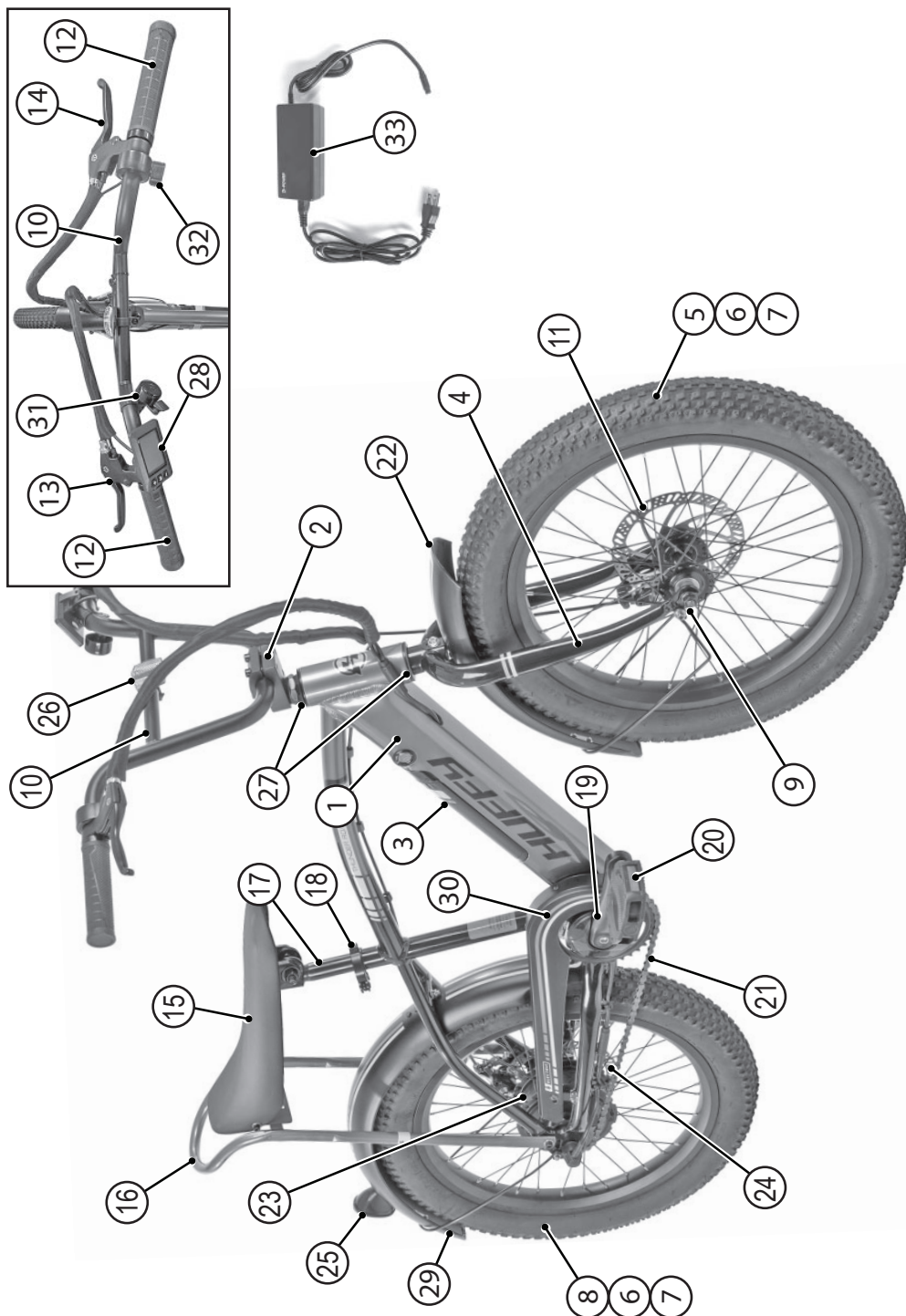
**NOTE:** All of the directions (right, left, front, rear, etc.) in this manual are as seen by the rider while seated on the bicycle.

- Do not dispose of the carton and packaging until you complete the assembly of the product. This can prevent accidentally discarding parts of the unit.
- The caregivers shall retain included tools for future use, store where the child cannot access. Tools are not a toy.



### Tools Recommended

(Metric)



## Charging the Drive Battery



**IMPORTANT!** Before using the unit for the first time fully charge the Battery. Battery Charger will shut off when Battery is fully charged, but **never charge longer than 12 hours.**

**NOTE:** Your e-Bike Li-Ion Battery can be charged either installed in the bike or removed.

### IMPORTANT!

- All large Li-Ion batteries are a potential fire risk and should be charged in a safe place, preferably outside or in the middle of a garage floor. Never charge a lithium battery unsupervised inside a house or building.
- Only an adult who has read and understands the safety warnings should handle, charge or recharge of the battery.
- Check the drive battery and charger (supply cord, connector) for wear and damage before charging. Do not charge the battery if damage has occurred. Only replace with the same type and voltage rechargeable battery and charger supplied by the manufacturer.
- Only use the rechargeable battery (or equivalent replacement) and charger supplied with your vehicle.
- The drive battery should be charged when depleted, or if not used regularly, once a month. Failure to charge the battery as directed will cause permanent damage to the battery and will void the warranty.
- Charge only when battery has cooled to room temperature after a ride.

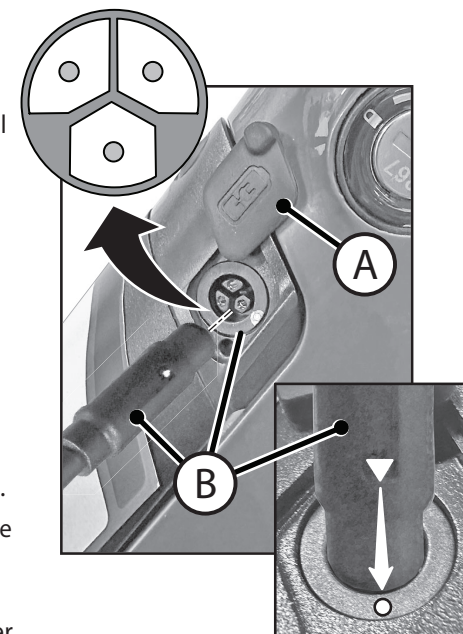
### STEPS:

**NOTE:** Battery can also be removed before charging.

1. Turn power OFF.
  2. Locate the Charging Port cover **(A)** on side of bike frame and open.
  3. Plug Charger plug into unit Charging Port **(B)**.
- **CAUTION:** Charger plug is keyed to only fit one way - **do not force.**
4. Plug Charger into Wall outlet.
  5. When battery is fully charged, un-plug charger from the wall outlet and disconnect from charger port - close charging port cover **(A)**.

### NOTES:

- The charger may feel warm during the charging. If excessively hot, unplug and replace.
- This product has charging protection: When charging, all functions are turned OFF.



## Inspection of the Bearings

### Maintenance:

Frequently check the bearings of the bicycle. Have a bicycle service shop lubricate the bearings once a year or any time they do not pass the following tests:

### Headset Bearings:

The fork should turn freely and smoothly at all times. With the front wheel off the ground, you should not be able to move the fork up, down, or side-to-side in the head tube.

### Crank Bearings:

The crank should turn freely and smoothly at all times and the front sprockets should not be loose on the crank. You should not be able to move the pedal end of the crank from side-to-side.

### Wheel Bearings:

Lift each end of the bicycle off the ground and slowly spin the raised wheel by hand. The bearings are correctly adjusted if:

- The wheel spins freely and easily.
- The weight of the spoke reflector, when you put it toward the front or rear of the bicycle, causes the wheel to spin back and forth several times.
- There is no side-to-side movement at the wheel rim when you push it to the side with light force.

No.	Description	No.	Description
1	Frame	18	Seat Clamp
2	Stem	19	Crank & Spindle Set
3	Battery	20	Pedal (Left & Right Set)
4	Fork	21	Chain
5	Front Wheel Assembly	22	Front Fender and Hardware
6	Tire (x2)	23	Rear Drive Motor
7	Tube (x2)	24	Rear Brake Disc/Caliper
8	Rear Wheel Assembly	25	Rear Reflector
9	Front Wheel Retainer and Axle Nut (x2)	26	Front Reflector
10	Handlebar	27	Head Set Bearing
11	Front Brake Disc/Caliper	28	LCD Control Display
12	Grip Set	29	Rear Fender and Hardware
13	Handbrake Lever - Left	30	Chain Guard
14	Handbrake Lever - Right	31	Bell
15	Seat	32	Throttle
16	Seat Support and Hardware	33	Battery Charger
17	Seat Post	*	Kickstand (not shown)

**NOTE:** Please read and understand the **LCD Display G51 User Manual** that comes with this product before your first ride!

## Installing the Front Fender and Wheel

### ⚠️ WARNINGS:

- Do **NOT** use Axle Nuts (G) without serrations to attach the front wheel.
- Failure to obey these steps can allow the front wheel to loosen while riding. This can cause injury to the rider or to others.

**NOTE:** If any hardware is already attached, remove and set aside.

### MOUNTING FENDER:

1. Insert Fender (A) up into Fork as shown.
2. Install Mounting Bolt and Washer (C) through Fork and Fender Tabs (B).
3. Install Washer and Nut (D) securely.

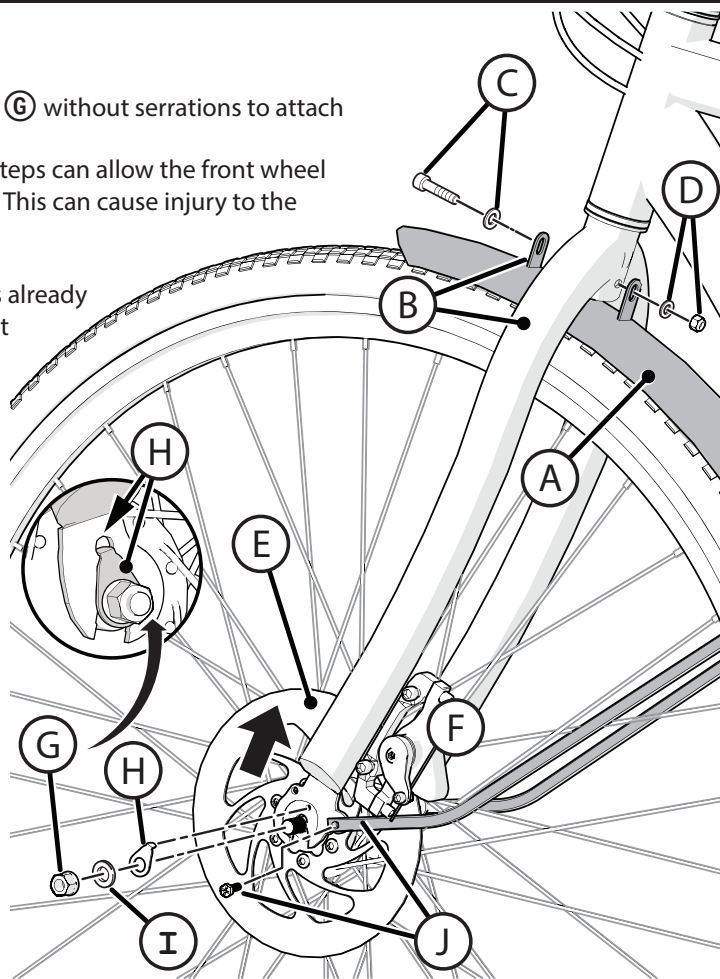
### MOUNTING WHEEL:

4. Set the wheel into the Front Fork (B) making sure the Disc Brake (E) fits up into the Disc Brake Caliper (F).
5. Install Wheel Retainers (H), making sure Wheel Retainer tabs are in the fork tab holes as shown.
6. Install Axle Nuts (G) with serrated surface facing **IN** and Washers (I) if included.
7. With the wheel in the center of the fork, tighten both Axle Nuts securely. Ensure wheel spins freely without contacting fork or fender.

**NOTE:** If wheel rubs fender after assembly, loosen Fender Nut (D) and adjust as needed.

### MOUNT FENDER BRACES:

Move Fender Braces so that lower mounting holes line up (J) and install one bolt on each brace securely.



## Lubrication

### ⚠️ WARNING:

- Do not over lubricate. If oil gets on the wheel rims or the brake shoes, it will reduce brake performance and a longer distance to stop the bicycle will be necessary. Injury to the rider or to others can occur.
- The chain can throw excess oil onto the wheel rim. Wipe excess oil off the chain.
- Keep all oil off the surfaces of the pedals where your feet rest.
- Using soap and hot water, wash all oil off the wheel rims, the brake shoes, the pedals, and the tires.
- Rinse with clean water and dry completely before you ride.
- Using a light machine oil (20 W), lubricate the bicycle according to the following table:

Lubrication Table (as equipped)

What	When	How
Pedals	every six months	Put four drops of oil where the axles go into the pedals.
Chain	every six months	Put one drop of oil on each roller of the chain. Wipe all excess oil off the chain.
Derailleurs	every six months	Put one drop of oil on each pivot point of the derailleurs.
Brake Levers	every six months	Put one drop of oil on the pivot point of each brake lever.
Wheel Brakes	every six months	Put one drop of oil on the pivot point of each cantilever brake.
Brake and cable	every six months	Put four drops of oil into both ends of each cable. Allow oil to soak back along the cable wire.
Rear Sprocket Cluster	every six months	Lay the bicycle on its left side. Slowly turn the rear wheel clockwise. Put four drops of oil in the crack between the rear sprockets (which are stationary) and the freewheel body (which is turning clockwise).
Shock Fork	every six months	Lift up the rubber fork boot and dab a small amount of grease on the fork leg just above the plastic bushing.

## Disc Brake System - continued

**NOTE:** Make sure the Adjusting Barrel threads are fully engaged. Check adjustment again.

- If you cannot reduce the gap by turning the Adjusting Barrel, the brake pads might be worn out and need to be replaced.

### PAD REPLACEMENT:

- Remove the Caliper Mounting Bolts (F).
- Remove the Caliper assembly (E).
- Remove the Brake Pads from the Caliper.
- Install the new Brake Pads using same type, material, and size.
- Install the Caliper assembly (E) to the mounts on the fork (front), or frame (rear) (front shown).
- Tighten the caliper Mounting Bolts (F) securely.
- Route the Cable (D) through the lower Adjusting Barrel (C) and Cable Clamp (A).
  - Ensure Cable Housing (G) is fully inside Adjusting Barrel (C).
- Pull the Cable through the Cable Clamp, and tighten the Clamp (A) Bolt.

**NOTE:** Brake adjustment involves loosening the Cable Clamp Bolt. During installation, it only needs to be tightened enough to make sure the Cable End doesn't pull back through the Camp.

- Adjust the Brake (as described above).

### BRAKE SYSTEM MAINTENANCE:

- Check brake operation and adjustment before each ride.
- Keep the brake system free of dirt, mud, oil, and other foreign substances that will inhibit proper operation.
- Frequently check:
  - All components for damage.
  - The pads - for wear.
  - The lever - for smooth operation.
  - The cable - ensure there are no frayed ends, cuts, or kinks that inhibit operation. Add cable lube if the cable is dry.
  - All bolts and fasteners - ensure the bolts are tightened, replace any that are damaged.

**NOTE:** These are general instructions. Please refer to component manufacturer's documentation for product specific instructions.

## Handlebar and Stem Installation

**WARNING:** To prevent steering system damage and possible loss of control, the "MIN-IN" (minimum insertion) mark (A) on the stem must be below the top of the Locknut (B).

### QUILL TYPE STEM:

**NOTE:** Remove plastic Cap (D) from the end of the Stem.

- Insert the Stem into the fork.
- Point the Stem towards the front of the bike.
- With the Stem aligned with the front tire, tighten the Stem Bolt (C) securely.

**WARNINGS:**

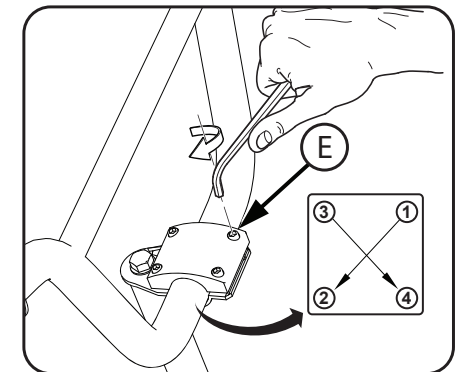
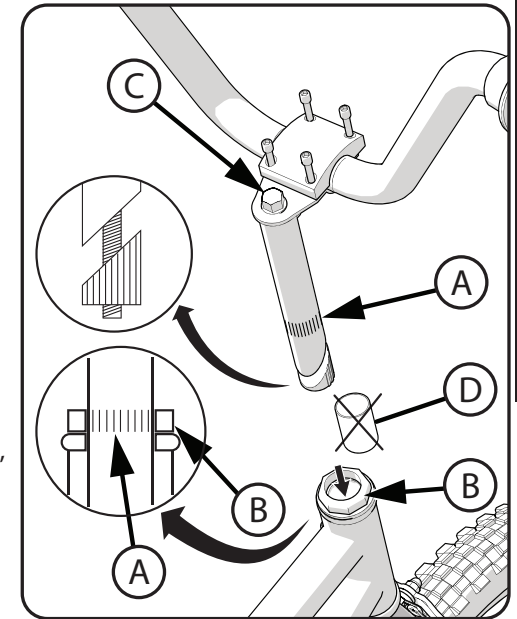
- Do not over tighten the stem bolt (C). Over tightening the stem bolt can damage the steering system and cause loss of control.

### Four Bolt Clamp Top Mount:

- Adjust the Handlebar into a comfortable riding position.
- Tighten Clamp Screws (E) evenly according to pattern.

**NOTE:** Do not over tighten.

**WARNING:** If the Handlebar Clamp is not tight enough, the handlebar can slip in the stem. This can cause damage to the handlebar or stem, and can cause loss of control.



## Front Hand Brake Adjustment

### NOTE on HANDBRAKES:

#### In Australia/New Zealand/China:

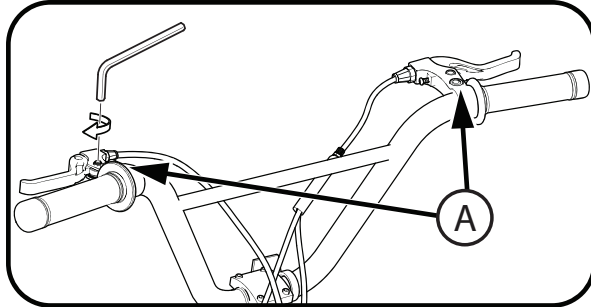
- **Left Brake Lever** controls the **Rear Brake**
- **Right Brake Lever** controls the **Front Brake**

#### Most other countries:

- **Left Brake Lever** controls the **Front Brake**
- **Right Brake Lever** controls the **Rear Brake**

**NOTE:** The brake cables for front and rear brakes shall be positioned on the right or left brake lever according to the legislation or custom and practice of the country in which the bicycle is sold.

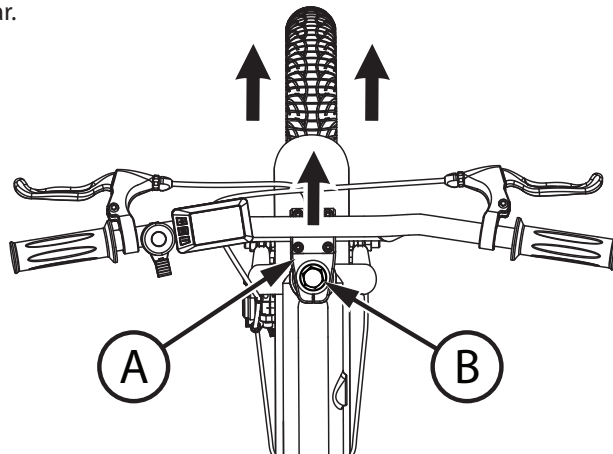
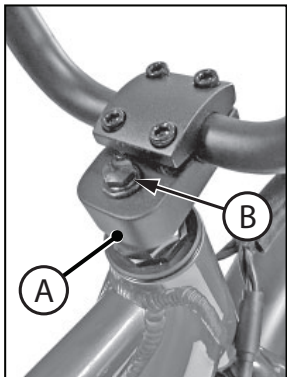
- Rotate Brake Levers (A) into a comfortable riding position and tighten securely.



## Handlebar Installation - Steering Alignment

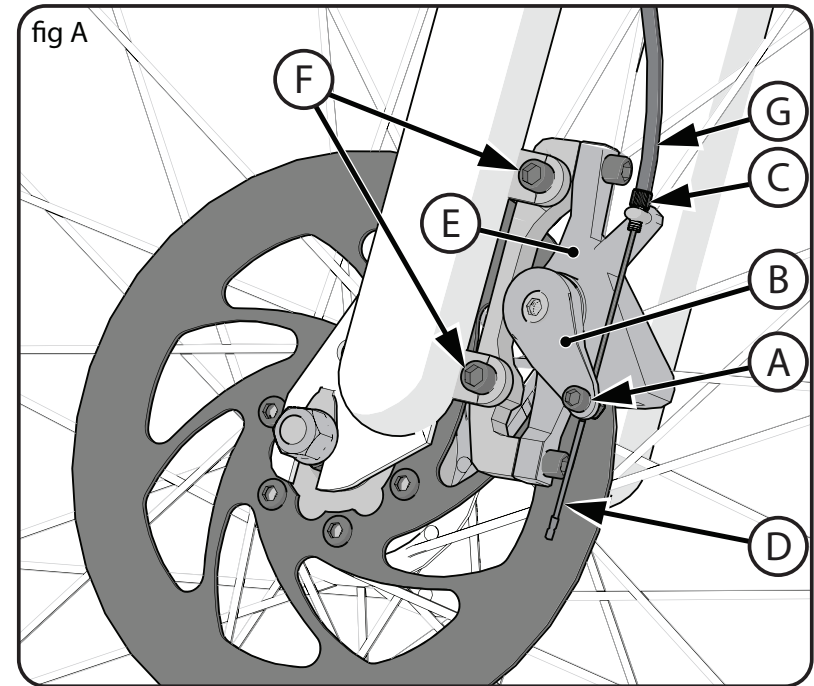
### Check Alignment of Handlebars with Steering Wheel:

- Align the Stem (A) with the front wheel and tighten the Stem Bolt (B) securely.
- If necessary, re-adjust Handlebar.



## Disc Brake System Adjustment: (various models)

**NOTE:** For Hydraulic Brakes, see Manufacturer's instructions included with this product.



### BRAKE ADJUSTMENT (see fig-A):

1. Loosen the Cable Clamp Bolt (A).
2. Push the Brake Arm (B) toward the Adjusting Barrel (C) (this applies the brake).
3. While holding the Brake Arm, pull the slack out of the Cable End (D) (through the Cable Clamp) and tighten the Cable Clamp Bolt (A).

**WARNING:** Do not over tighten the Cable Clamp. Over tightening the Cable Clamp may cut the Cable and cause injury to the rider or to others.

4. Pull and release the brake lever several times to set the Brake Cable.
5. Spin the wheel. It should spin freely. If the Disc cannot spin freely in the Caliper, the Cable might be too tight. Loosen the Cable Clamp Bolt and allow the brake arm to move away from the adjusting barrel – repeat steps 1 through 4 until the wheel spins freely.

**NOTE:** An initial gap of 0.3mm (0.01 inch) is recommended.

6. A properly adjusted Caliper is set such that, the pads contact the Disc at approximately 1/3 lever travel and stops the disc at approximately 2/3 lever travel.
7. Minor adjustment can be made by turning the Adjusting Barrel on the brake lever or the Adjusting Barrel (C) on the Caliper. Turn the Adjusting Barrel OUT to tighten the brakes or IN to loosen the brakes.

**WARNING:**

- The vehicle should be checked for damage, missing or badly worn parts before each use. If any part of the product does not operate properly – discontinue use.
- As with all mechanical components, the bicycle is subjected to wear and high stresses. Different materials and components might react to wear or stress fatigue in different ways. If the design life of a component has been exceeded, it may suddenly fail, possibly causing injuries to the rider. Any form of crack, scratches, or change of coloring in highly stressed areas indicate that the life of the component has been reached and should be replaced.
- Inspect the product frequently. Failure to inspect the product and to make repairs or adjustments, as necessary, can result in injury to the rider or to others. Make sure all parts are correctly assembled and adjusted as written in this manual and any “Special Instructions”.
- Immediately replace any damaged, missing, or badly worn parts with original equipment.
- Avoid wearing loose clothing and items when riding or performing maintenance to reduce risk of entrapment that could result in an injury.
- Keep the product clean and free of dirt, dust and water. This will prolong the useful life of the product.
- Dirty or greasy wheel rims can render your brakes ineffective. To avoid injury, clean frequently, using a clean rag or wash with soapy water, rinse and air dry. Do not clean them with oily or greasy materials.
- High temperatures, intensive use, and impact damage may be invisible to the user and result in injury to rider. If you suspect damage or excess wear to wheel rims, frame, fork, suspension joints (if any), or composite components (if any), seek service from bike shop for repair.
- Make sure all fasteners are correctly tightened as written in this manual and any “Special Instructions”. Parts that are not tight enough can be lost or operate poorly. Over tightened parts can be damaged. Make sure any replacement fasteners are the correct size and type.
- Self-locking nuts and other self-locking fasteners may lose their effectiveness when re-used.
- Check the tightness of the wheels.
- **Always remove the battery** when replacing a component or performing maintenance.
- Periodically check your e-Bike’s wiring and motor condition and mounting.
- Always store your e-Bike indoors. Bike’s left outside in weather can deteriorate very quickly. Prolonged exposure to UV-rays, rain, and outdoor elements may damage the enclosure materials.
- Store your e-Bike in a clean dry environment. Do not cover with plastic which will hold moisture inside and affect your bike’s electrical system.
- Store your battery indoors during cold weather to optimize battery performance.

**CLEANING:** Do not submerge the drive unit in water or wash with a pressurized hose. Keep all components clean, especially the battery pack contact points. Clean carefully with soft, damp cloth using only mild soap and water.

**STORAGE:** Always store the battery pack in a cool dry place. Keep it away from sources of heat, such as stoves and heaters. During periods of prolonged storage, battery pack should be charged at least once every 6 months at a minimum of 50% or every 3 months at 40%. Do not charge higher than 60% when storing.

**NOTE:** Have a bicycle service shop make any repairs or adjustments for which you do not have the correct tools or if the instructions in this manual or any “Special Instructions” are not sufficient for you.

**To test the tightness of the stem:**

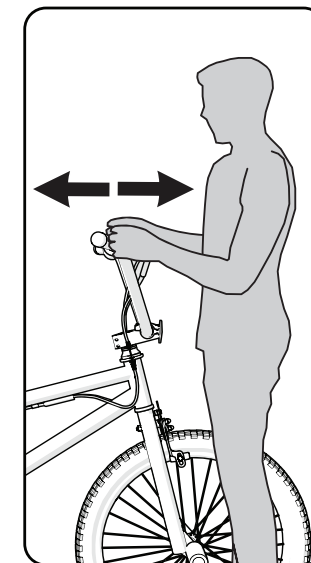
- Straddle the front wheel between your legs.
- Try to turn the front wheel by turning the handlebar.
- If the handlebar and stem turn without turning the front wheel, realign the stem with the wheel and tighten the stem bolt(s) tighter than before (about 1/2 revolution only at a time).
- Do this test again, until the handlebar and stem do not turn without turning the front wheel.

**To test the tightness of the handlebar clamp:**

- Hold the bicycle stationary and try to move the ends of the handlebar forward and backward.

**CAUTION:** Do not exceed 100 lb (45 kg) push force.

- If the handlebar moves, loosen the bolt(s) of the handlebar clamp.
- Put the handlebar in the correct position and tighten the bolt(s) of the handlebar clamp tighter than before.
- If the handlebar clamp has more than one bolt, tighten the bolts equally.
- Do this test again, until the handlebar does not move in the handlebar clamp.



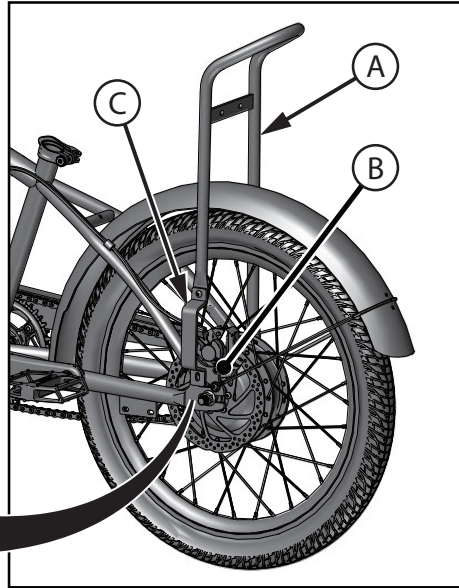
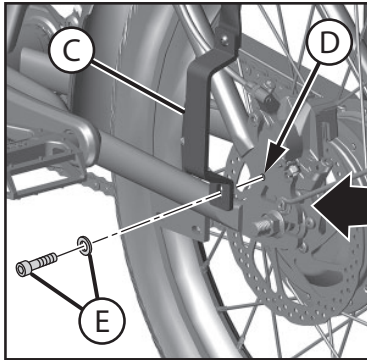
## Seat Support Installation

### Attach Seat Support:

- Place Seat Support (A) around Rear Wheel Assembly (B) as shown.

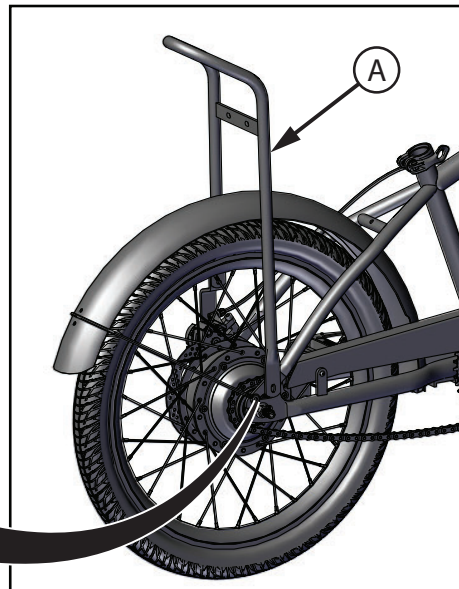
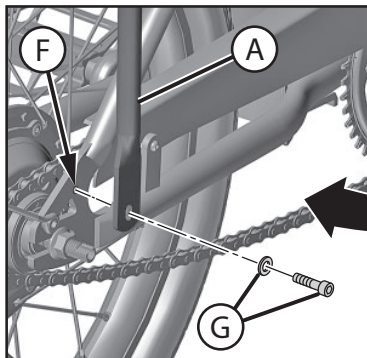
**NOTE:** Left side of Seat Support (A) has the Extension (C).

- Align to bike frame Mounting Hole (D) and install Bolt and Washer (E).



- Align right side of Seat Support (A) to bike frame Mounting Hole (F) and install Bolt and Washer (G).

- continue to Seat Install on next page.



## Brake Operation

### **! WARNING:**

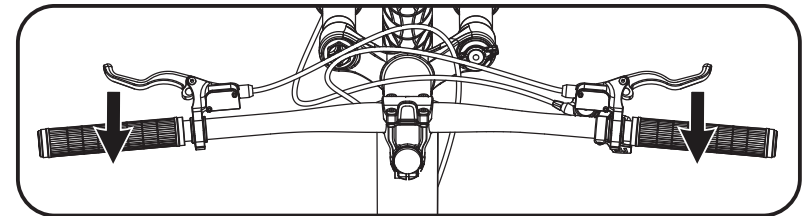
- Always ride with a safe distance between you and other vehicles or objects to give yourself adequate room to stop.
- Look ahead and adjust your speed in advance to avoid hard braking.
- Different bikes have different brake systems and different levels of brake power. Be aware of your bicycle's braking power and don't ride beyond it.
- Wet, debris, or uneven pavement will affect how your bike reacts to braking. Take extra care when braking under less-than-ideal road conditions. Allow more time and distance for stopping.

### HAND BRAKES:

Operate the hand brake as follows:

**NOTE:** Before riding, make sure you know which brake lever controls which brake (front or rear). If you have two hand brakes, apply both brakes at the same time.

- The front brake provides more stopping power than the rear, so do not use it too forcefully or too abruptly. Gradually add pressure to both brake levers until you slow to the desired speed or stop.
- If you must stop quickly, shift your weight back as you apply the brakes to keep the rear wheel on the ground.

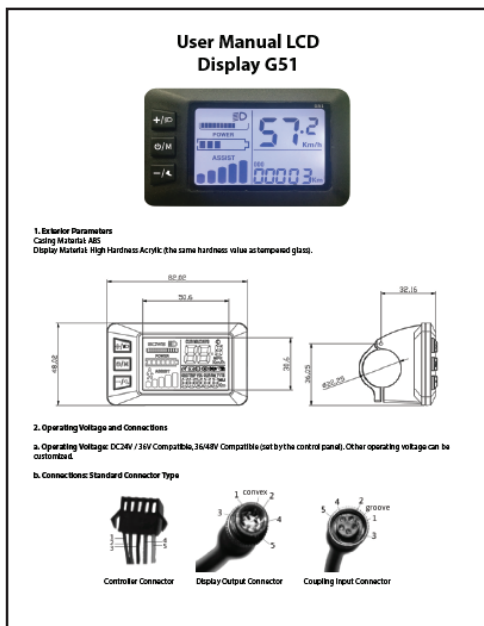


### **! WARNING:**

- Brake force applied to the front wheel suddenly or too fully could lift the rear wheel off the ground or cause the front wheel to slide out from under you. This will decrease your control and cause you to fall.

## Display User Manual

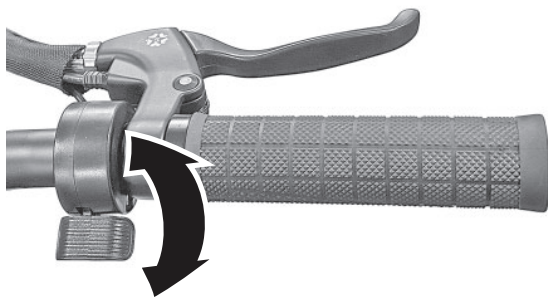
**NOTE:** Please read and understand the **Display G51 User Manual** that comes with this product.



## Thumb Throttle Control



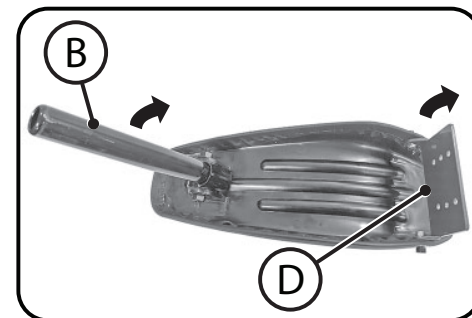
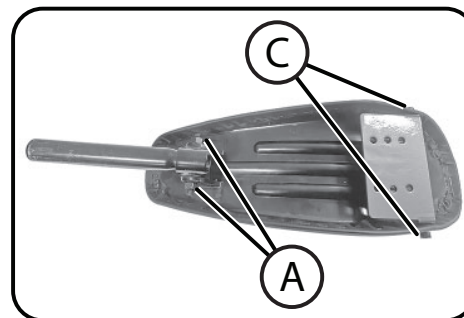
**NOTE:**  
 Throttle will engage when e-bike reaches a minimum speed of 1-3 mph.



**Models that are equipped with Thumb Throttle:**

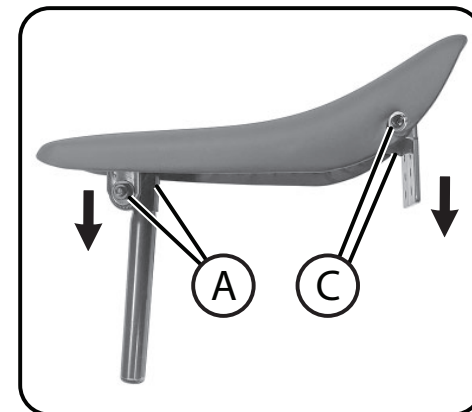
- Press down to increase speed.
- Hold to maintain current speed.
- Release to decrease speed.

## Seat Installation - Saddle Adjustment



**NOTE:** Adjust seat post angle before inserting into seat tube to avoid post falling into tube.

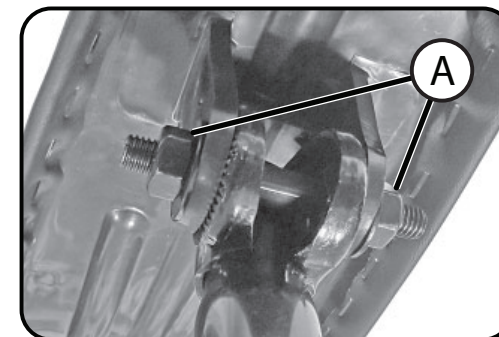
1. Loosen Clamp Nuts (A) as needed and adjust Seat Post (B) angle to a vertical position as shown.
2. With Seat Post (B) fully inserted into seat clamp, tighten Nuts (A) evenly and securely so that seat post will not move in the seat clamp.
3. Loosen rear bracket Bolts (C) and adjust Bracket (D) parallel with seat post as shown. Tighten Bolts (C) securely.



**NOTE:** Ensure Clamp Nuts (A) are tight and the seat post does not fall out when held upright.

**WARNING:** Serrations on the mating surfaces of the clamp can wear with use and adjustment. Check that the Clamp Nuts (A) are tight and secure before each ride.

**NOTE:** If adjusting seat angle with seat installed in seat tube, be sure the quick release lever is in the locked position before loosening seat clamp Nuts (A) to avoid post falling into tube.

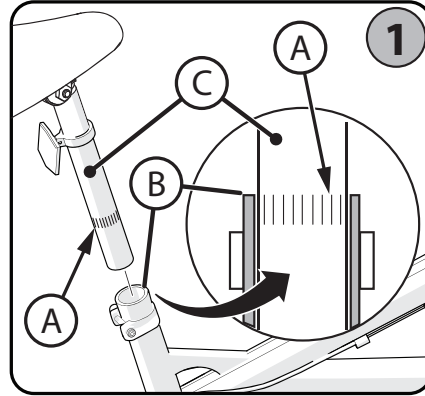


## Seat Installation

**⚠ WARNING:** To prevent the seat coming loose and possible loss of control, the "MIN-IN" (minimum insertion) mark (A) on the seat post must be **BELOW** the top of the seat tube (B).

### STEP 1 - INSERT SEAT POST INTO SEAT TUBE:

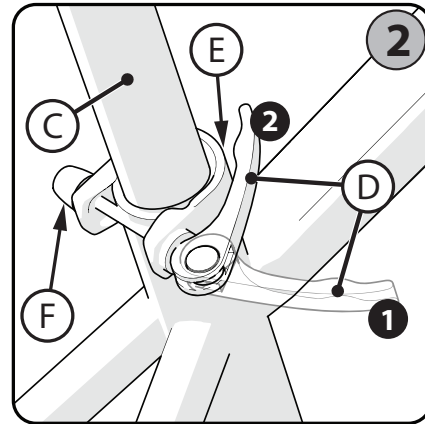
- Open the quick release lever (D).
- Point the seat forward and put the seat post (C) into the seat tube (B) with the "MIN-IN" marks BELOW the top of the seat tube as shown.



### STEP 2 - QUICK RELEASE LEVER:

**CAUTION:** Operate the quick release lever by **HAND ONLY - DO NOT USE TOOLS.**

1. As needed, open and close the quick release lever (D) with one hand and tighten or loosen the adjusting nut (F) by hand, so that you first feel resistance to the quick release lever when it is in the "OPEN" position (1).
2. Push the quick release lever to the "CLOSE" position (2) - It will take **strong force** to clamp securely so that the quick release Lever lays against the seat post clamp (E).

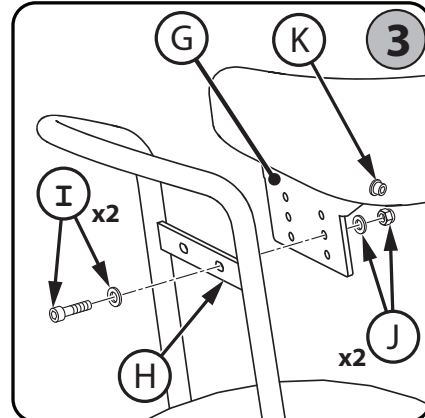


**⚠ WARNING:** You must use strong force to move the quick release lever securely to the "CLOSE" position (2). This ensures that the seat does not move during normal operation.

### STEP 3 - ATTACH SEAT TO SUPPORT:

**CAUTION:** Never allow more than 1 rider.

3. Align Seat Bracket (G) to Seat Support (H) at a comfortable position.
4. Insert two Bolts and Washers (I) through rear of Seat Support (H) and then through Seat Bracket (G).
5. Secure with two Washers and Nuts (J).
6. Tighten Bolts (K) on both sides of seat.



## Removing and Installing Battery

### REMOVING BATTERY 1:

1. Turn Key (A) fully **right** until top of Battery is loose.
2. Pull top of battery out away from opening and lift out of battery tray.



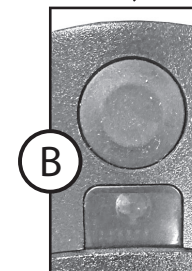
### INSTALLING BATTERY 2:

1. Place bottom of battery into battery tray opening.
2. Lean battery into battery tray - Push fully into position until battery **snaps** locked into position. Some force will be needed.
3. Turn Key (A) fully **left** to lock.
4. Gently pull out on battery to make sure it does not come loose.



### POWER BUTTON:

- When pressing the Power Button (B) indicator will light on by 3 different colors red/green/blue in different battery capacity.
- Use LCD Display to check the battery capacity.
- No light on when charging.

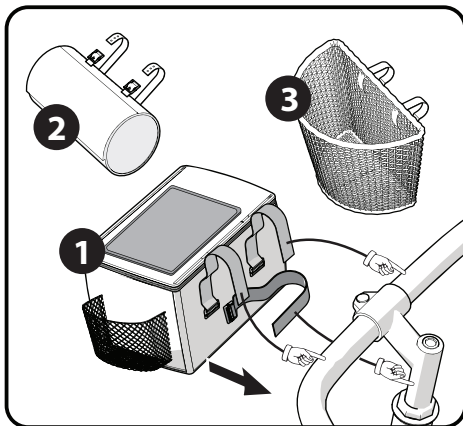


## Accessories (various models)

### ACCESSORY INSTALLATION:

- Attach Accessory **1** **2** or **3** to Handlebar using the supplied Straps.
- Tighten Straps so Accessory does not move.

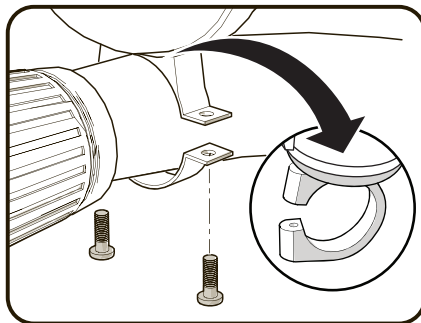
**⚠ WARNING:** Do not over tighten. The Straps may break. Do not block Reflectors.



### HANDLEBAR BELL INSTALLATION:

1. Remove screws from Bell.
2. Position Bell on handlebar within easy reach, with hands on the handlebar grips.
3. Install screws and tighten.

**NOTE:** Bell may attach with 1 or 2 screws.



## Testing Seat Post Clamp Tightness

### If the seat post moves in the seat tube clamp:

- Loosen the seat clamp lever.
- Put the seat post in the correct position and tighten the seat clamp nut tighter than before.

### If necessary, tighten or loosen hand nut so that quick release tightens securely.

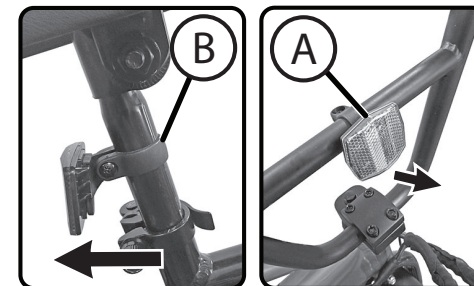
- Do this test again, until the seat post does not move in the seat tube clamp.

## Reflector Installation (as equipped)

### Reflector Installation:

1. Position FRONT Reflector **A** so it points straight forward.
2. Tighten Clamp Screw.
3. Position Seat Post Reflector (if equipped) **B** so it points straight backwards.
4. Tighten Clamp Screw.

**NOTE:** Do not over-tighten. This will damage the Clamp.



## Pedal Installation

**CAUTION:** There is a RIGHT pedal marked **R** and a LEFT pedal marked **L**.

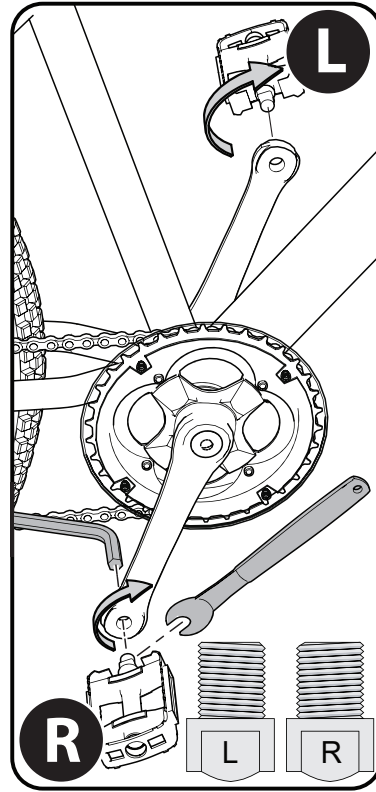
**NOTE:** A Pedal Wrench is preferred for attaching Pedals. A thin open-end wrench can also be used.

- The pedal marked **R** has right-hand threads. Tighten it in a **clockwise direction**.
- The pedal marked **L** has left-hand threads. Tighten it in a **counterclockwise direction (anti-clockwise)**.
- Turn the right pedal marked **R** into the right side of the crank arm, and the left pedal marked **L** into the left side of the crank arm.

### Tighten the pedals:

- Make sure the threads of each pedal are fully into the crank arm.

**WARNING:** Ensure pedals are secure in crank arms so they will not loosen. Periodically check tightness.

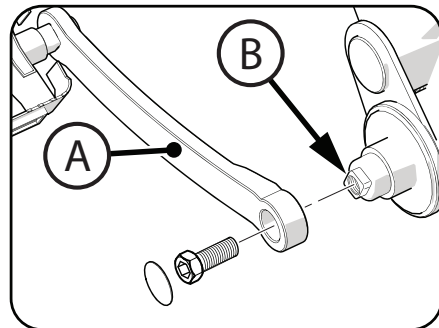


## Three-Piece Cranks (various models)

**Maintenance:** Both Crank Arms **A** were tightened to the spindle **B** at the factory. After riding the bicycle the first few times, make sure the crank arms have not loosened. If either crank arm has loosened during this "break-in" period, re-tighten or have it tightened by a bicycle service shop.

Frequently check the tightness of the crank arms. If loose, tighten or have them tightened by a bicycle service shop.

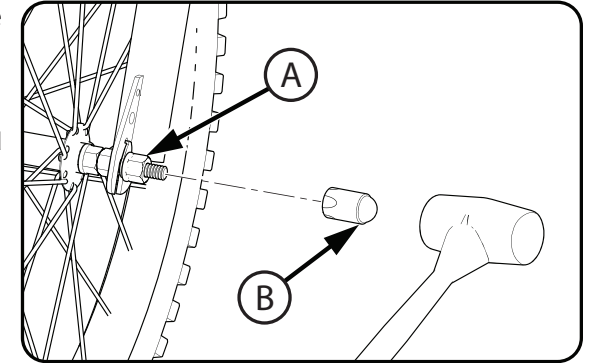
**WARNING:** if you ride the bicycle with a loose crank arm, the crank arm may fall off. The spindle may also damage the crank arm.



## Rear Axle Nut Covers (various models)

**NOTE:** Ensure Rear Axle Nut Covers are secure.

- Check that Rear Wheel Nuts **A** are securely tight.
- Cover Rear Axle Nuts **A** with Axle Caps **B**.
- Position Axle Cap **B** over installed Axle Nut **A** and tap with hammer till fully seated.



### WARNINGS:

- Do not ride beyond your capabilities.
- Caps should be installed by an adult.
- Check before each ride.
- If damaged, stop use and replace.

## Secure Rear Fender Brace (if required)

### SECURE REAR FENDER:

1. Line up rear fender brace **A** with mounting holes.
2. Install washer and bolt **B**. Tighten securely.
  - Do same for both sides.
  - Make sure rear fender is centered over tire and does not rub.

