

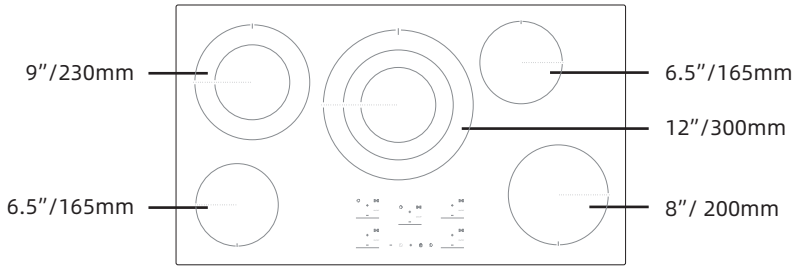
2 General Information

2.1 Technical Data

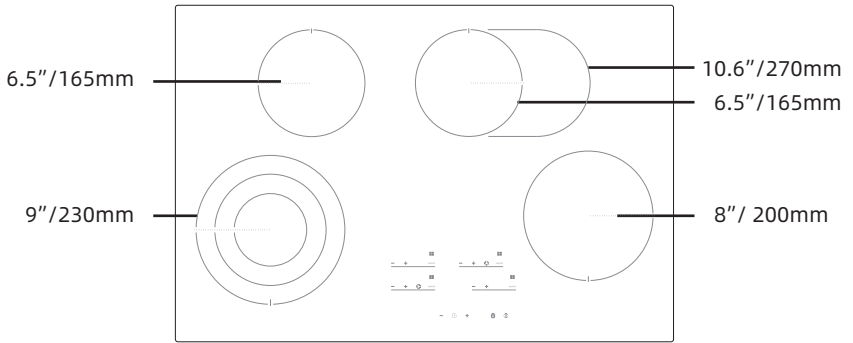
Model identification		MT-T47364RT	MT-T59165	MT-T23003RT
Serie		MEGAWATT 30	MEGAWATT 36	MEGAWATT 12
Type of cooktop		30" Built-In Cooktop	36" Built-In Cooktop	12" Built-In Cooktop
Maximum Connected Load: @ 240 Volts		7.3 kW	9.1 kW	3.0 kW
Maximum Connected Load: @ 208 Volts		6.3 kW	8.7 kW	2.6 kW
Minimum Circuit Required		40 Amps	50 Amps	16 Amps
Number of cooking zones		4	5	2
Heating technology		Radiant cooking	Radiant cooking	Radiant cooking
Displays	Control Location	Front Center	Front Center	Front Center
	Control Type	Electronic Touch	Electronic Touch	Electronic Touch
	Display Interface Color	Red	Red	Red
Diameter of circular cooking zones (Ø) and Power (max)	Left front	9" 2.3 kW	6.5" 1.2 kW	6-1/2" 1.8 kW
	Left rear	6.5" 1.2 kW	9" 2.2 kW	7-7/8" 1.2 kW
	Center	--	12" 2.7 kW	--
	Right front	6.5" 2.0 kW	8" 1.8 kW	--
	Right rear	8" 1.8 kW	6.5" 1.2 kW	--
Cooktop Dimension	Overall Width	30-5/16 inches	35-7/16 inches	11-7/16 inches
	Overall Depth	20-1/2 inches	20-1/2 inches	20-1/2 inches
	Overall Height	2-3/16 inches	2-3/16 inches	2-1/4 inches
Cabinet Dimension	Cabinet Width	30 inches	36 inches	12 inches
Cutout Size	Cutout Width	29-3/16 inches	34-5/16 inches	10-9/16 inches
	Cutout Depth	19-3/8 inches	19-3/8 inches	19-11/16 inches

2.2 Product Description

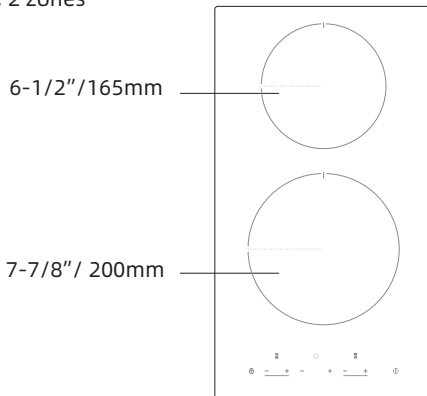
Cookzone sizes, 5 zones



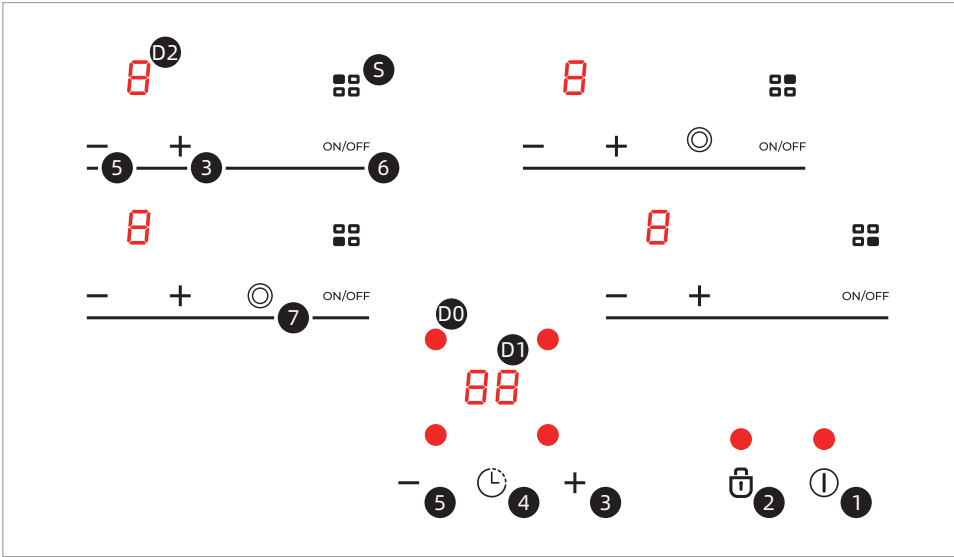
Cookzone sizes, 4 zones



Cookzone sizes, 2 zones



2.3 Control Panel



- 1 Power: Press to turn on or turn off the cooktop.
- 2 Lock: Lock the cooktop controls to prevent accidental activation of cooking zones.
- 3 Increase button: Press to increase the amount of
- 4 Timer On: Press to turn the countdown timer on.
- 5 Reduce button: Press to reduce the amount of
- 6 Cooking Zone On/Off: Press to turn ON/OFF for that zone.
- 6a Cooking Zone Selection
- 7 Dual/Triplex ring control
- D0 Timer Indicator: The LEDs indicate Timer is on.
- D1 Timer setting display: , ,
- D2 Power setting display: , ,
- S Zone sign