

2 General Information

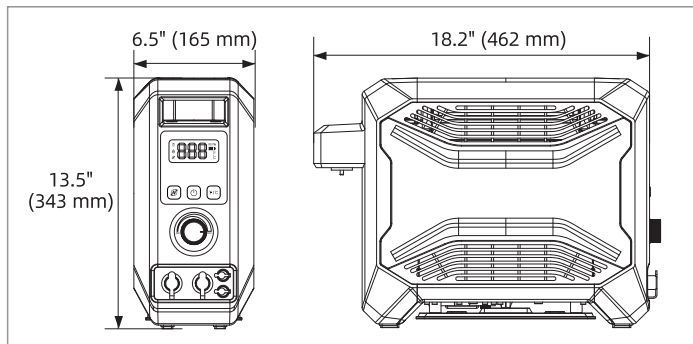
2.1 Dimensions

Series	<i>InstaShower GO</i>	<i>InstaShower GO Pro</i>
Model No.	FP19	FP22
Part No.	FP19AG	FP22AG
Rating: BTU	19,000	22,000
Battery	DC 12V battery	DC 12V battery
Run Time (Full Charge)	80 minutes	80 minutes
Fuel Source	Propane	Propane
Fuel Supply Pressure (To regulator)	Max. Bottle Pressure	Max. Bottle Pressure
Gas Supply Pressure (Regulator out)	11" W.C. (2.74kPa)	11" W.C. (2.74kPa)
Electrical Input	DC 12V ≥ 60W	DC 12V ≥ 60W
High Temperature Control	125 °F	125 °F
Temperature Rise	114 °F Rise (0.4 gallons/min) 81 °F Rise (0.67 gallons/min)	114 °F Rise (0.47 gallons/min) 81 °F Rise (0.8 gallons/min)
Ignition	Electric Ignition	Electric Ignition

* We reserve the right to amend the product without prior notice.

* Temperature increases listed are based on use of the water heater under optimal conditions. Variable factors such as incorrect or imperfect installations and varying incoming water temperatures may yield different results.

2.2 Specifications



2.3 Understanding Appliance

