

Mounting Instructions

agra link™ GATEWARE

Two-Way Lockable Gate Latch



Open your gate in either direction and prevent unwanted swinging and sagging

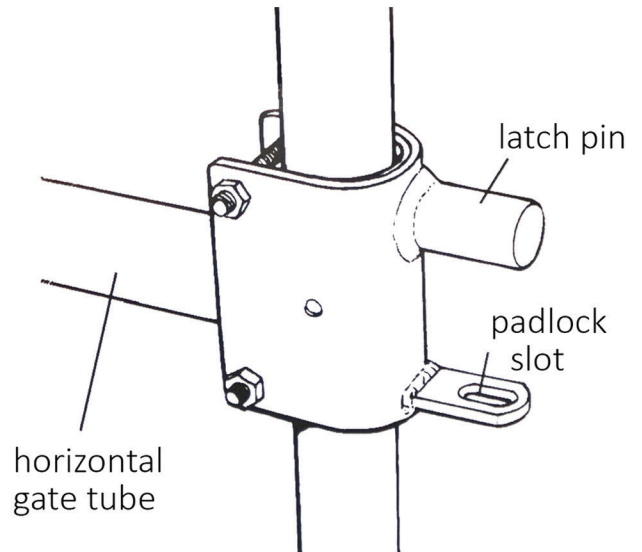
- For round tube gates of 1-5/8" - 2" OD
- One-handed operation
- Padlock compatible
- Installs easily (wood screws not provided)
- Galvanized corrosion resistance

(1) If necessary, adjust gate hinges to ensure there is 2" - 2-3/4" between the gate and the post.

(2) Use the nuts and bolts provided to attach the latch pin assembly onto gate at the first or second horizontal tube above center height. Use a bolt above and below the horizontal tube as shown in the drawing. Mount with horizontal tube centered between bolts to allow for later adjustments. For 1-5/8" tubes, use the two shims provided in the latch pin assembly.

(3) Close the gate and mount the latch on the fence post, aligning it so the latch pin on the gate slides into the latch on the fence post. Mount with appropriate wood screws (not provided).

(4) If necessary, adjust the height of latch pin on the gate.



agra link™
GATEWARE

Agratronix LLC
Corporate Office
1780 Miller Parkway
Streetsboro, Ohio 44241
Made in India



WARNING: This product can expose you to chemicals including lead, which is known to the State of California to cause cancer and birth defects or other reproductive harm. For more information, go to, www.P65Warnings.ca.gov. Wash hands after handling.