

# agra link™

## Gate Hinge

For 1-5/8" to 1-3/4" Round Tube



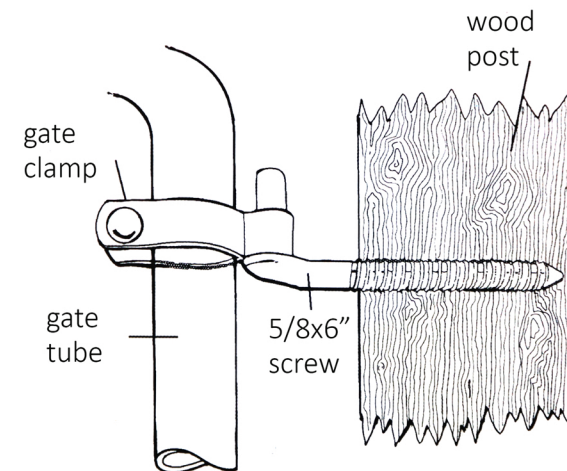
- Upper and lower hinge set pair included
- 5/8" diameter x 6" length bolts
- Easy installation
- Upper and lower hinge hardware included



PART NO.: 77006

## Mounting Instructions

- (1) Determine your desired position for the hinges and mark locations on the fence post.
- (2) Drill 1/2" diameter holes at marked locations and screw bolts provided into fence post.
- (3) Attach clamps to the gate and slide over the fence post bolts. (It may help to use a shim beneath the gate to find the desired gate height).
- (4) Secure clamps to the gate with provided hardware.



# agra link™

Agratronix LLC  
Corporate Office  
1780 Miller Parkway  
Streetsboro, Ohio 44241  
Made in India