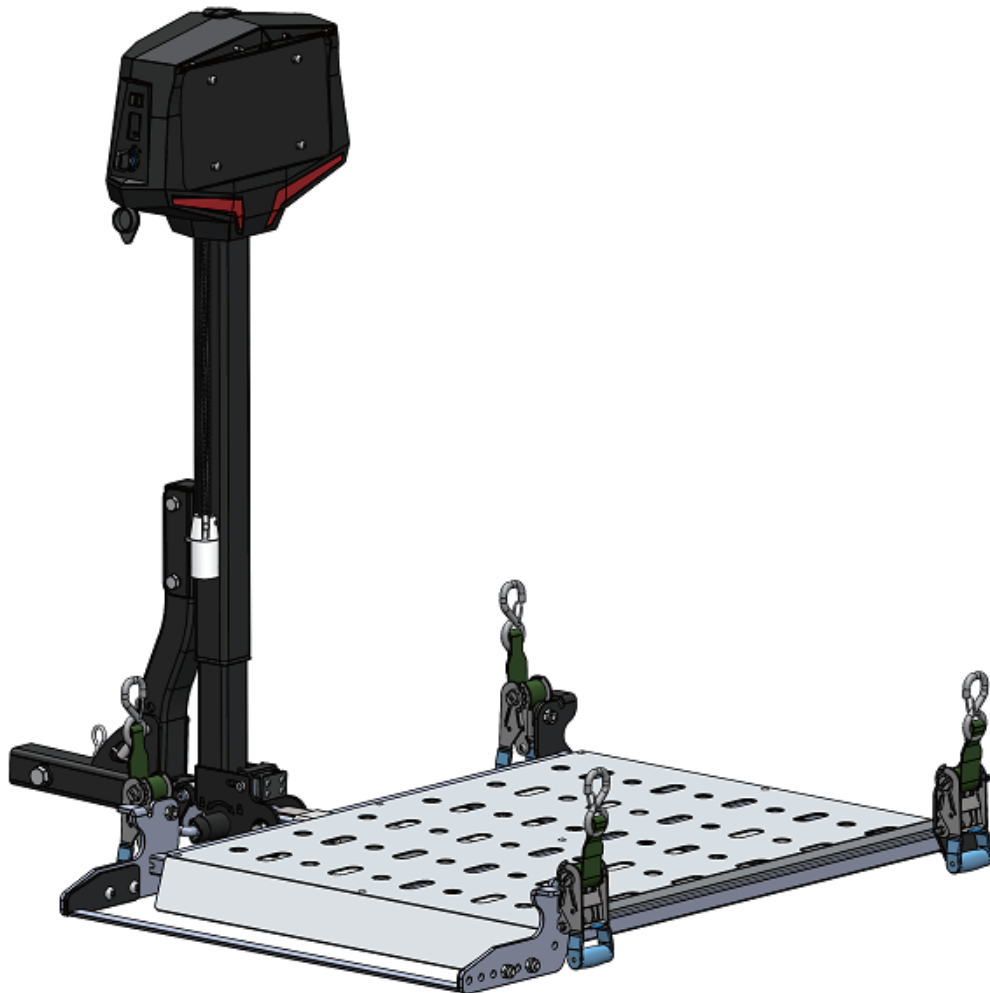




# Electric Wheelchair/ Scooter Carrier

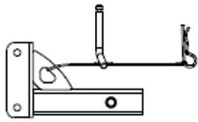
ITEM#10101194



## GENERAL GUIDELINES & SAFETY

- It is the user's responsibility to read and follow all instructions.
- Keep these instructions with the product at all times and review before each use.
- It is the responsibility of this product's owner to furnish the instructions to any person that borrows or purchases the product.
- Inspect the product before use to ensure it is assembled properly and all parts are in safe working order and free of defects.
- Never modify this product in any way.
- All circumstances cannot be addressed in these instructions.
- Please use common sense and practice general safety measures when using this product.
- Parts and/or instructions are subject to change without notice.
- Never exceed the 350 lb. weight capacity; distribute load evenly.
- Never exceed the maximum trailer hitch tongue weight rating; please note that hauling weight may be limited by your vehicle's suspension.
- Some vehicles may require air shocks or heavier springs to stiffen up the suspension to sagging.
- Make sure the carrier is secured on the trailer hitch mount and all loads are secured on the carrier; tie-down straps are sold separately.
- Do not occupy the mobility aid while loading the carrier; do not stand on the carrier.
- Hitch adapters may affect the weight capacity of the carrier; if using a hitch adapter, always check its limitations before use.
- Always store the carrier in a safe place; improper use, storage, or installation of the carrier could result in death or serious injury.
- Not recommended for tow-behind trailers including 5th wheel trailers and camping trailers; do not install carrier on any kind of trailer.
- Periodically check nuts and bolts for tightness.
- Load and secure the wheelchair/scooter in the center of the carrier prior to transporting; do not allow it to tilt to one side.
- When lifting and lowering the carrier, the jack needs one minute interval before changing directions; failure to allow the carrier to rest between changing directions will damage the jack.

# Parts List



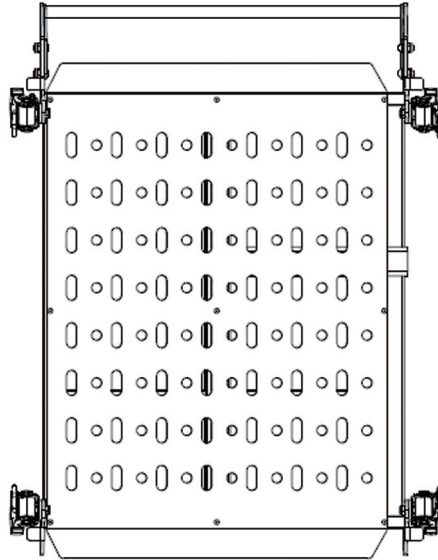
(1) Receiver Assembly



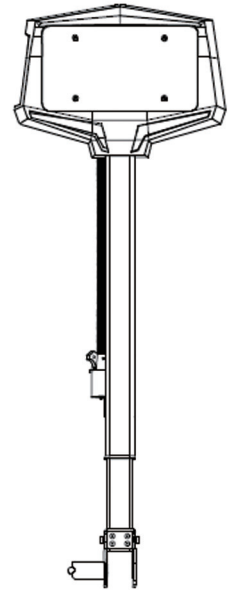
(1) Vertical Support Beam



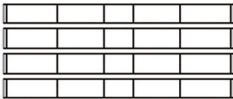
(1) Rotating Support Beam



(1) Tray Assembly



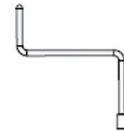
(1) Jack Assembly



(4) Ratchet Straps



(1) M16 Hitch Pin, Lock Washer, Flat Washer, and Clip Set



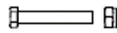
(1) Hand Crank



(1) Folding Rod Assembly



(3) M12x75 Bolt and Nut



(1) M12x65 Bolt and Nut



(1) M16 Bolt, Flat Washer, and Nut



(2) M12x70 Bolt and Nut



(2) Matched Keys

# Recommended Tools for Assembly (Not Included)



Open Wrench (2pc)  
Size=24mm



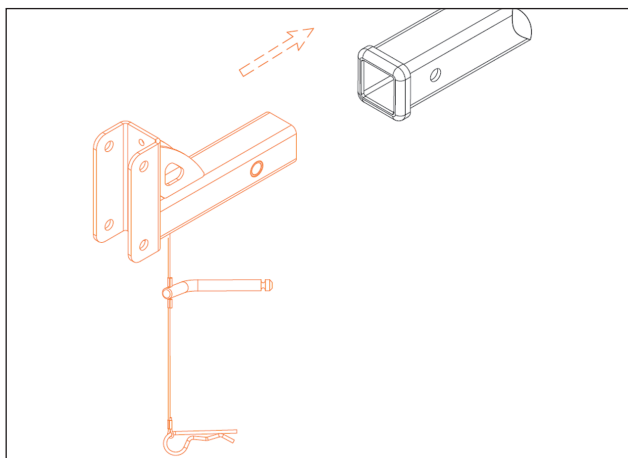
Open Wrench (2pc)  
Size=19mm



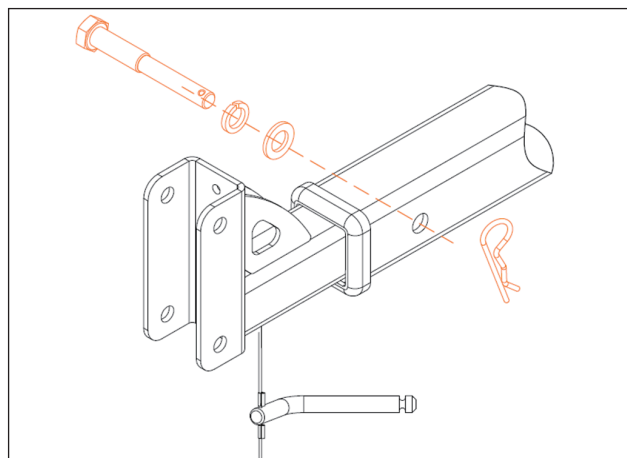
Allen Wrench(1pc)  
Size=10mm

# Assembly Instructions

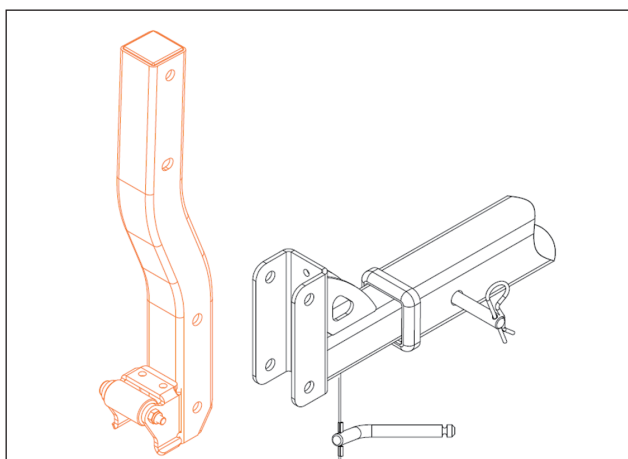
**Step 1:** Insert the Receiver Assembly into the Receiver and align the Hitch Pin holes as shown.



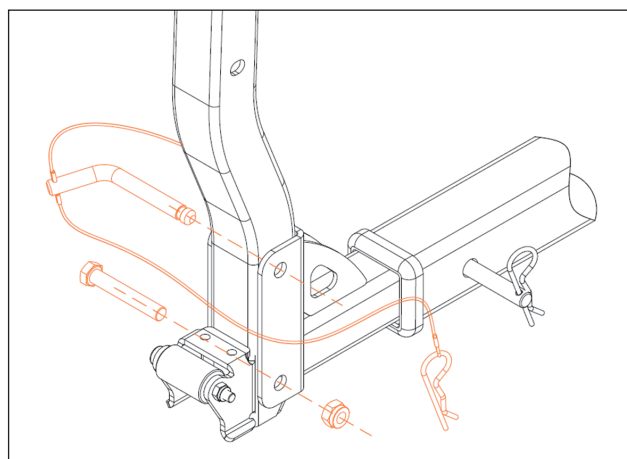
**Step 2:** Thread the Lock Washer and Flat Washer onto the M16 Hitch Pin and insert it through the Hitch Pin holes. Attach the Clip to secure the assembly as shown.



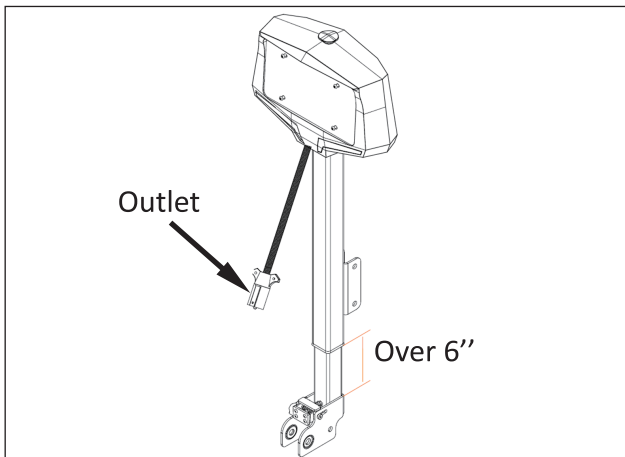
**Step 3:** Insert the Vertical Support Beam into the Receiver Assembly taking care to align the holes as shown below.



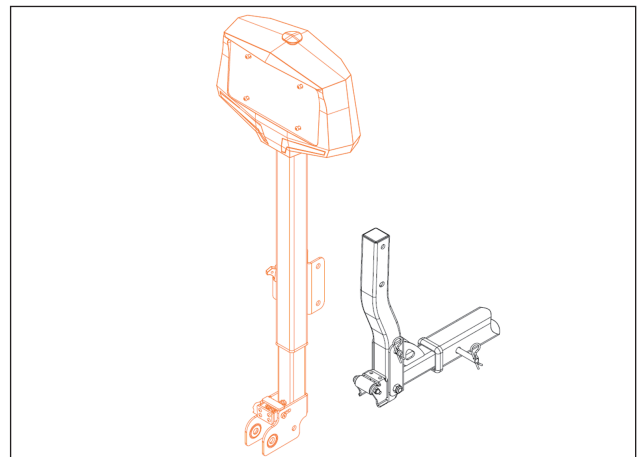
**Step 4:** Thread the M12x75 Bolt through the lower hole and secure it with an M12 Nut. Insert the Non-Locking Hitch Pin through the top hole and secure it with its Clip.



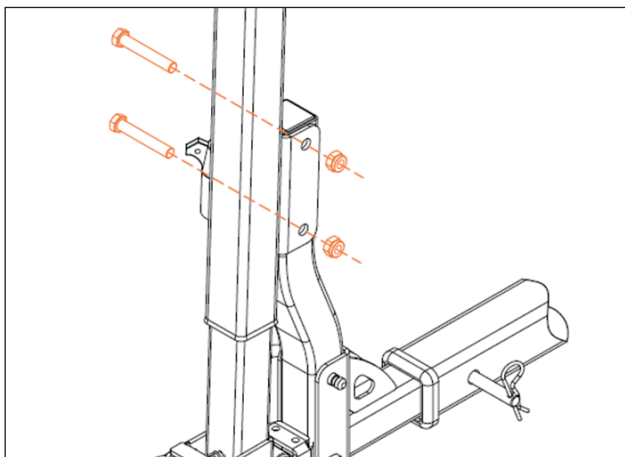
**Step 5:** Do not assemble while appliance has power. Use the hand crank to lower the jack 6 inches.



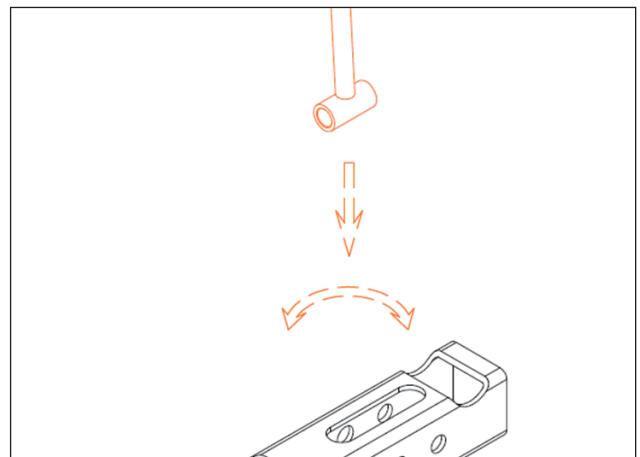
**Step 6:** Slide the Jack Assembly onto the Vertical Support Beam, aligning the holes as shown.



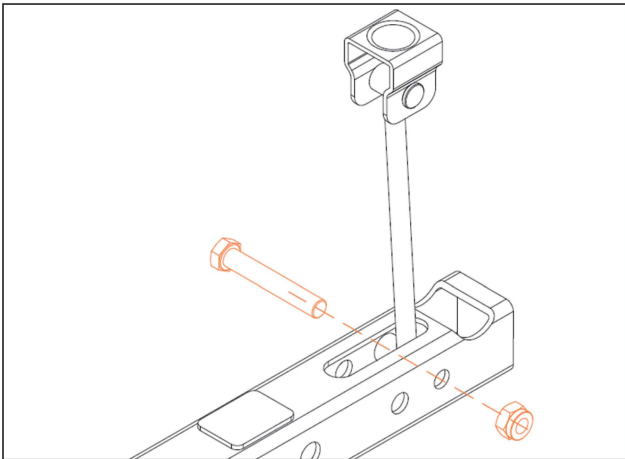
**Step 7:** Insert an M12x75 bolt through both the top and bottom hole, and tighten both bolts with an M12 Nut to secure the Jack Assembly in place.



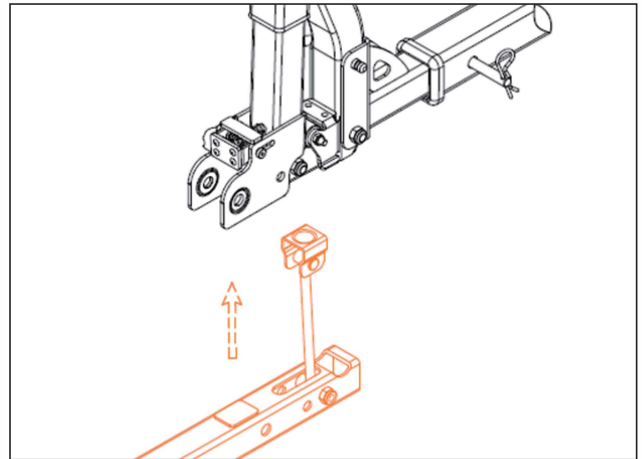
**Step 8:** Insert the Folding Rod Assembly through the slot in the Rotating Support Beam, then turn it 90 degrees to align it with the first hole.



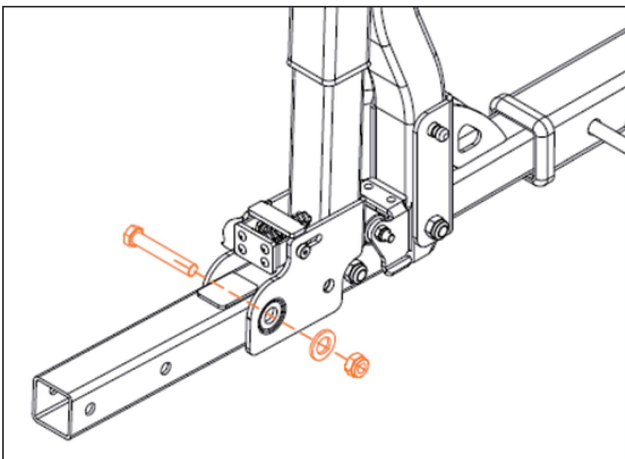
**Step 9:** Insert the M12x65 Bolt as shown below, and tighten an M12 Nut to secure the Folding Rod.



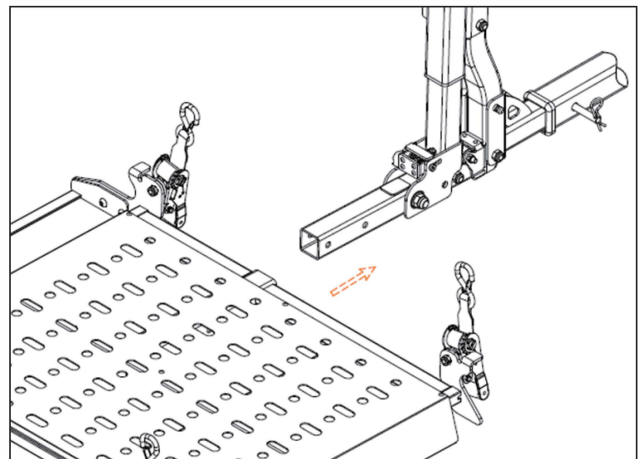
**Step 10:** Insert the Folding Rod into the Jack Assembly taking care to align the holes as shown below.



**Step 11:** Insert the M16 Bolt and fit the Flat Washer into the slot on the Jack Assembly as shown below. Secure the bolt with an M16 Nut.



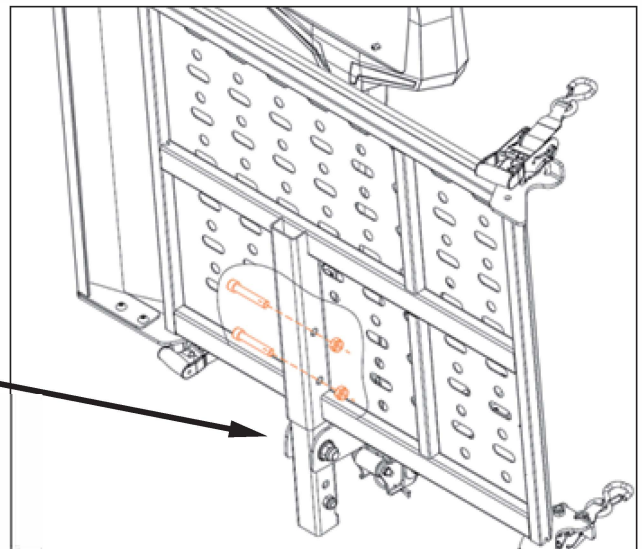
**Step 12:** Slide the Tray Assembly onto the Rotating Support Beam and align the holes as shown.



**Step 13:** Turn the locking lever away from the vehicle and towards the Tray. Press the UP button on the control box to fold it.. Insert the M12x70 bolts as shown, and tighten the M12 Nuts to secure the Tray.

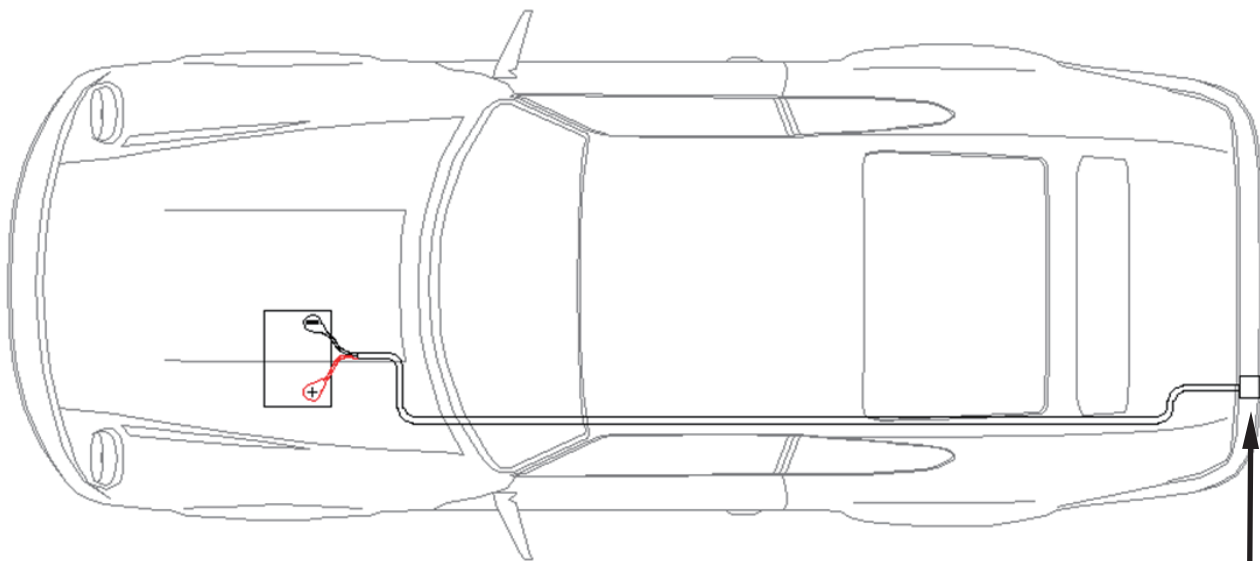


Before folding the Tray or operating the jack, ensure that the locking lever is rotated towards the Tray, away from the vehicle.



**ALERT:** The control panel is equipped with a safety override. If the current load exceeds 25Amps, it will automatically shut off for 30 seconds. To continue, turn the control key off, and then back on. This will reset the safety and allow the jack to be used.

**WARNING:** If the safety continuously trips, contact customer support before continuing operation.



Power-on plug connector

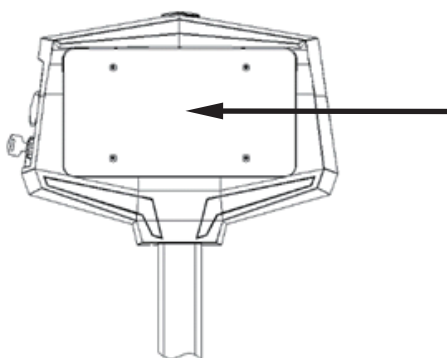
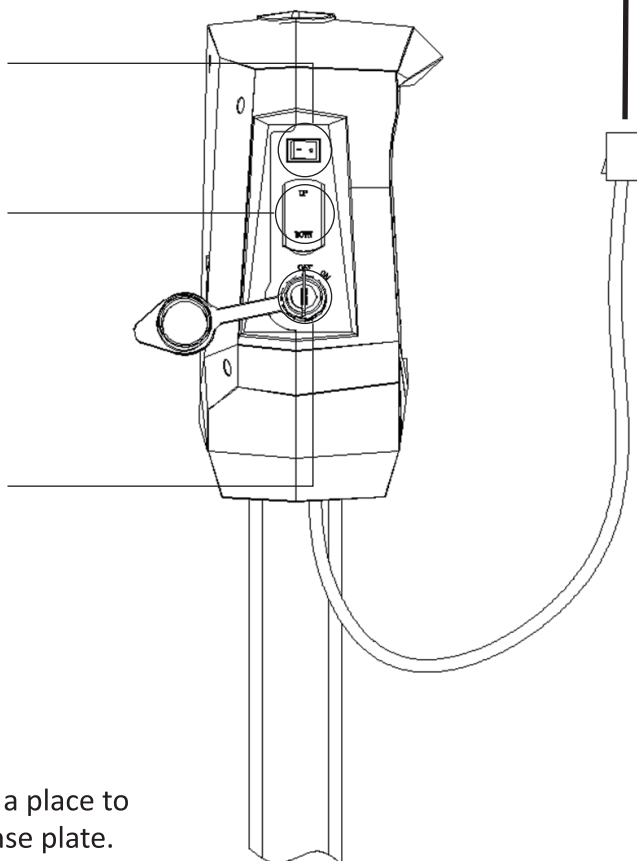
**Light Switch:** Controls the product's light switch, which can be used to illuminate a license plate installed on the jack.

**Up-Down Switch:** Raises/Lowers Jack

**Power Switch:** Allows the jack to raise or lower. It must be adjusted with a key. Insert a key and turn the switch as desired.

Vertical = Power Off, will not operate  
Turned to the right = Power On, will operate

(Note: Close the waterproof cover after removing the key.)



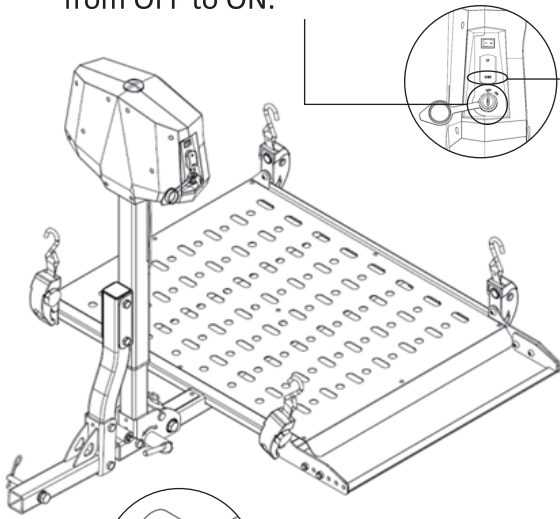
The jack has a place to install a license plate. Follow all local rules and regulations regarding displaying license plates.

# Operation

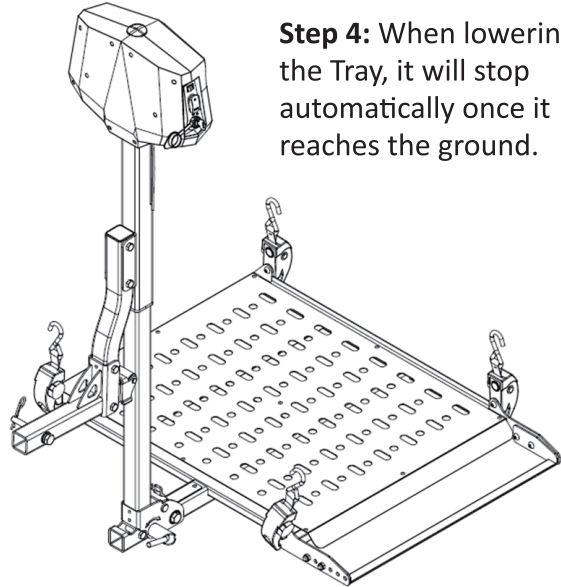
## 1- Lowering the Tray

**Step 2:** After connecting the power supply, rotate the key from OFF to ON.

**Step 3:** Press and hold the DOWN button to lower the Tray.



**Step 1:** Ensure the locking lever is turned towards the vehicle while there is a load on the carrier.

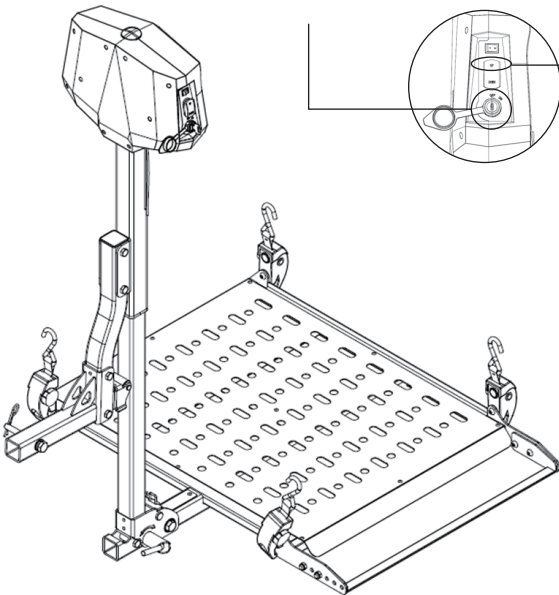


**Step 4:** When lowering the Tray, it will stop automatically once it reaches the ground.

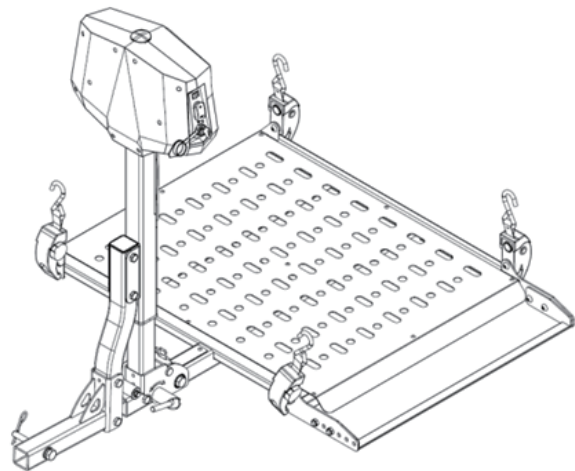
## 2- Raising the Tray

**Step 2:** While the power is on, turn the key from OFF to ON.

**Step 3:** Press and hold the UP button to raise the Tray.



**Step 1:** Ensure the locking lever is turned towards the vehicle while there is a load on the carrier.

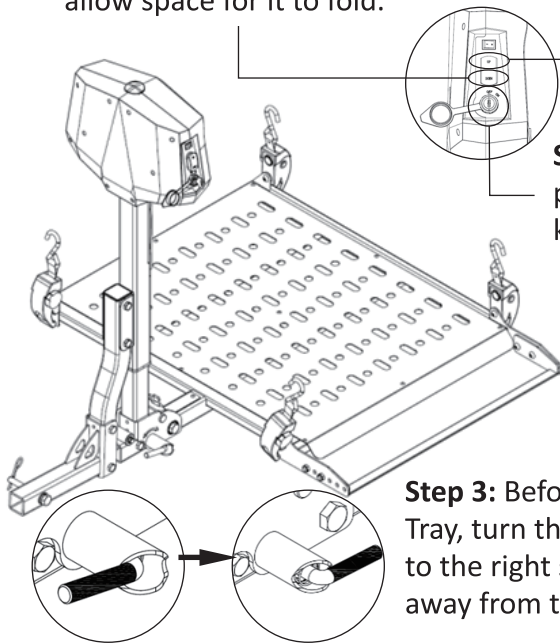


**Step 4:** When raising the tray, it will stop automatically once it reaches its initial position.

### 3- Folding the Tray

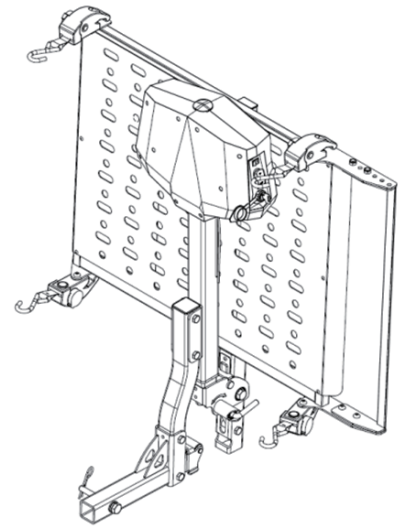
**Step 2:** Lower the jack slightly using the DOWN button to allow space for it to fold.

**Step 4:** Press and Hold the UP button.



**Step 1:** While the power is on, turn the key from OFF to ON.

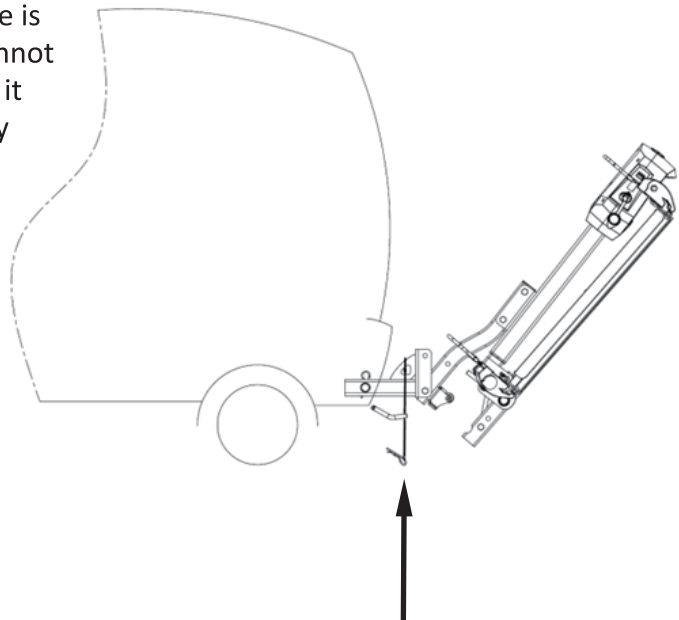
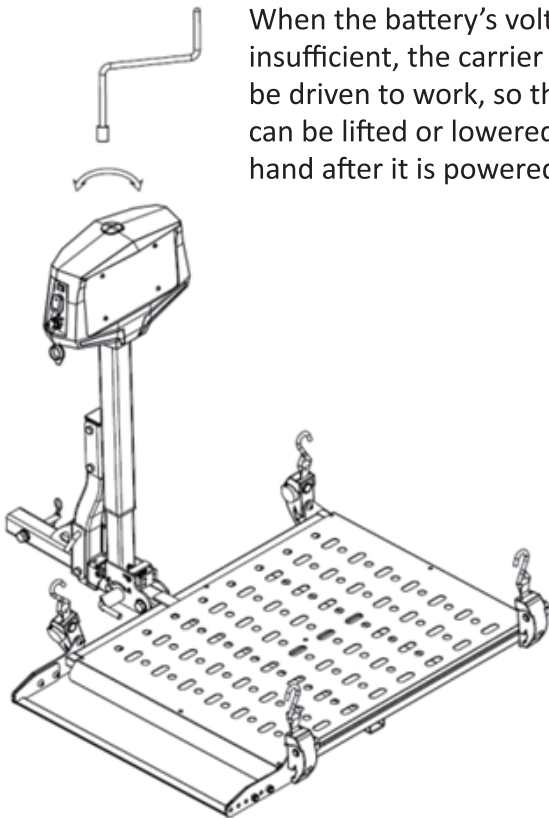
**Step 3:** Before folding the Tray, turn the locking lever to the right so it is facing away from the vehicle.



**Step 5:** The Tray will stop once it has been fully retracted.

### Instructions for manual operation and accessing the trunk

When the battery's voltage is insufficient, the carrier cannot be driven to work, so that it can be lifted or lowered by hand after it is powered.



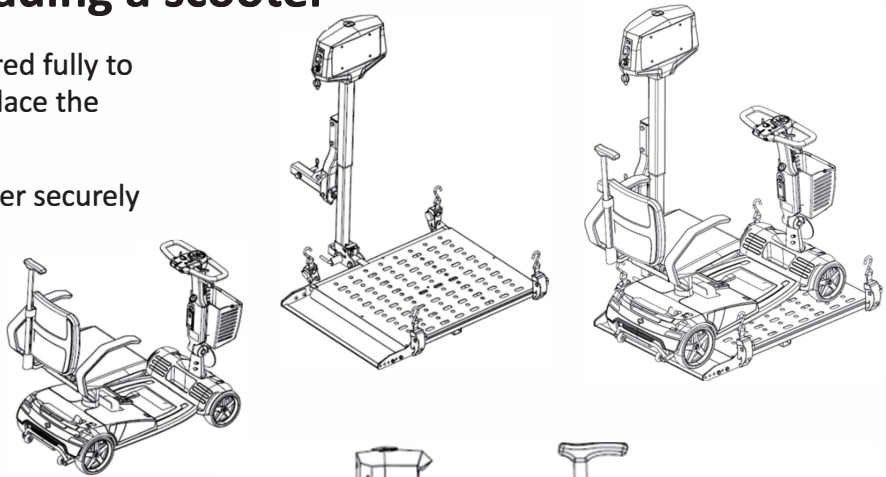
While the rack is empty and folded, pull the pin in the Vertical Support Beam and carefully rotate the assembly away from the vehicle to allow access to the vehicle's trunk or hatch.

# Instructions for loading a scooter

**Step 1:** Ensure the tray is lowered fully to the ground, as shown below. Place the electric scooter on the tray.

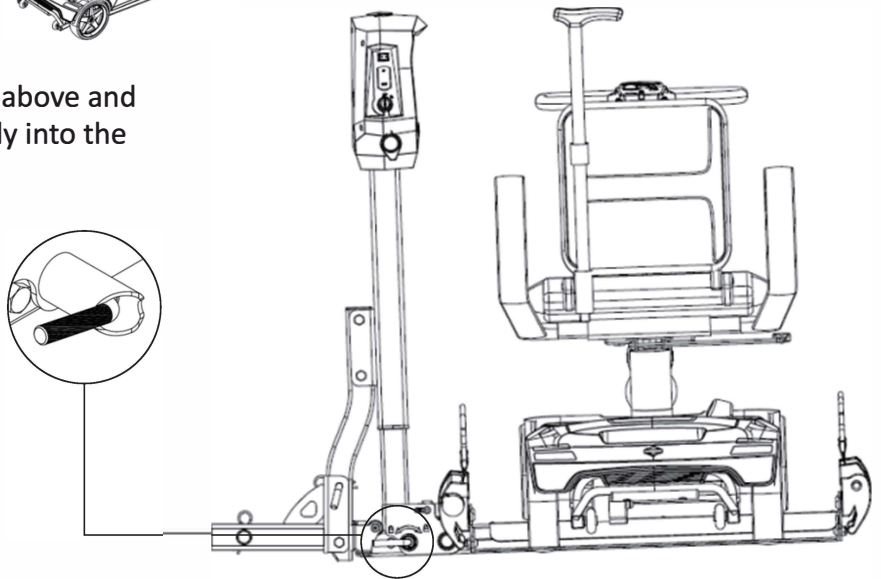
Fit the rear wheels of the scooter securely into the rear wheel holder.

The rear wheel holder can be adjusted by removing and refastening the 4 bolts in the sides. Fits 3.9- 6.9 inches (100-176mm).



**Step 2:** Refer to the instruction above and raise the tray until it fits securely into the hitch assembly.

Ensure the locking lever faces the vehicle while the tray has cargo to prevent damage to the tray or its cargo.



**Step 3:** Secure the scooter with all 4 ratchet straps. (exact attachment points will vary based on the scooter)

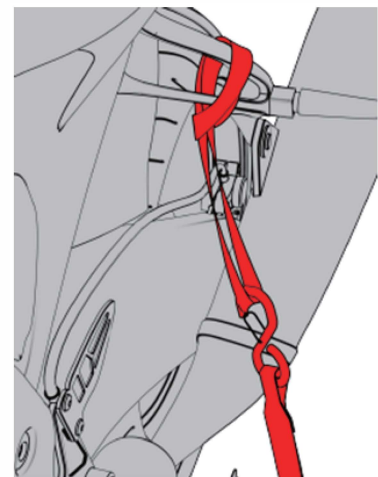
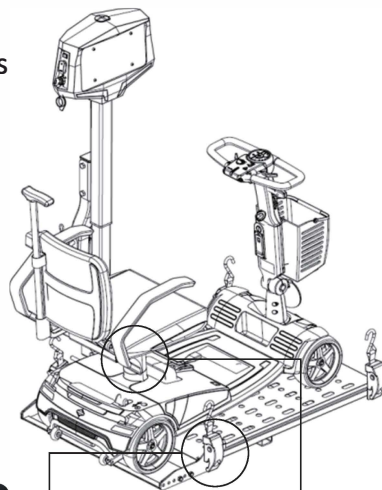
Step 1 Press the release button to unlock the ratchet



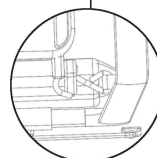
Step 2 Open the ratched a full 180 degrees



Step 3 While the ratchet is open, pull the hook to extend the strap



If the strap is not long enough, use an extension strap to secure the cargo. NEVER operate the lift or move the vehicle with an unsecured load.



Crank the ratchet to tighten the strap until the cargo is secure.

Take care not to over tighten the strap to prevent damage to the carrier or cargo.

# PRODUCT WARRANTY & LIABILITY

**GENERAL PRODUCT WARRANTY:** Products purchased from the Authorized Dealer (original place of purchase) or Merchant (“Dealer”) will be free of defects in material and workmanship at the time of receipt, and will meet the specifications stated at the place of purchase transaction or online at the Dealer’s website, under normal use and service when correctly installed, operated and maintained. This product warranty is effective for the period of time stated below, unless otherwise stated in the product instructions or depicted in the product advertisement. All Authorized Dealer warranties are NON-TRANSFERABLE and cover only the original end purchaser. This limited warranty does not cover products purchased through non-authorized dealers. Non-authorized dealer receipts are not accepted for warranty verification.

**\*\*\*WARRANTY CLAIMS MUST BE MADE DIRECTLY TO THE ORIGINAL PLACE OF PURCHASE.\*\*\***

**WARRANTY PERIOD:** This warranty remains in force for one year from the date of the product’s accepted delivery. The Authorized Dealer offers a one year manufacturer’s warranty for most products unless otherwise specified on the product advertisement.

**WARRANTY SERVICE:** The Authorized Dealer will replace any defective or malfunctioning part at no charge, including payment of the shipping costs of parts or replacement product to and from the manufacturer. The purchaser is responsible for labor charges. If the product does not meet specifications as depicted in the advertisement, the Authorized Dealer will refund the full purchase price of the product.

Questions regarding the warranty on a specific product and warranty claims should be directed to the Authorized Dealer with whom the purchase transaction was made.

**WARRANTY LIMITATIONS:** The above warranty does not apply to products that are repaired, modified or altered by any party other than the Authorized Dealer; are subjected to unusual physical stress

or conditions (such as overloaded ramps or corrosion), natural disaster, governmental actions, wars, strikes, labor disputes, riots, theft, vandalism, terrorism or any reason beyond reasonable control; are damaged due to improper installation, misuse, abuse, accident or negligence in use, storage, transportation or handling, or tampering; or to products that are considered consumable items or items requiring repair or replacement due to normal wear and tear.

Product should be inspected prior to signing for delivery. Product damage incurred during shipping, unless noted on the Bill of Lading at the time of delivery, renders this warranty void.

**LIMITED LIABILITY:** In no event shall **THE AUTHORIZED DEALER** be liable to the purchaser or any third party for any indirect, incidental, consequential, special, exemplary or punitive damages arising out of the use of the product, including, without limitation, property damage, loss of value of the product or any third party products that are used in or with the product, or loss of use of the product or any third party products that are used in or with the product.



Before returning this product to theRetailer, please call  
**888-380-7428**  
or email to  
**parts@uriahproducts.com**  
for Missing parts or Technical Help.