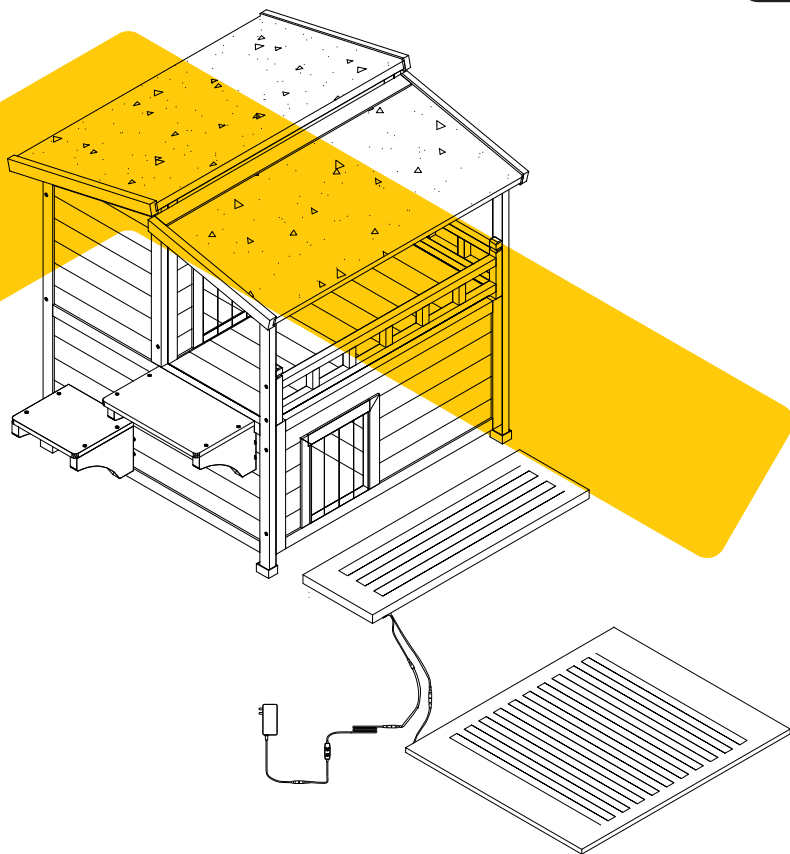


INSTRUCTION MANUAL

AIR 33-IN-HP





NOTICE

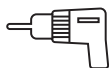
Please retain these instructions for future reference.

- Firmly secure all bolts,screws and knobs before use.
- Reconfirm that all bolts,screws,and knobs are secure every 90 days.
- Fasten screws loosely during initial assembly. Do not fully tighten screws until the item is completely assembled.
- Do not use or store this item in the proximity of open flame or flammable/combustible chemicals.
- Be aware that some parts are heavy and have sharp edges.
- Be aware that moving parts can injure,crush and cut.
- If any parts are missing,broken,damaged,or worn,stop using this product until repairs are made and/or factory replacement parts are installed.
- Do not use this item in a way inconsistent with the manufacturer's instructions as this could void the product warranty.

TOOLS REQUIRED //



PHILLIPS
SCREWDRIVER



DRILL
(RECOMMENDED)



2PERSON
ASSEMBLY



APPROXIMATELY
45MIN. ASSEMBLY

HARDWARE //

M3.5x40mm SCREW
14PCS+1spare



P1

M3.5x35mm SCREW
16PCS+1spare



P2

M3.0x25mm SCREW
12PCS+1spare



P3

M3.0x16mm SCREW
10PCS+1spare



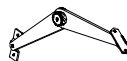
P4

Plastic Feet
4PCS



P5

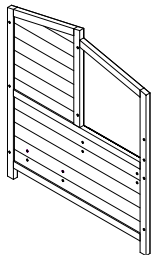
Hinge
1PC



P6

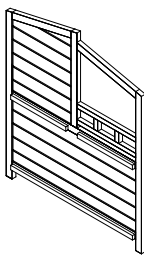
PARTS //

Left panel
1PC



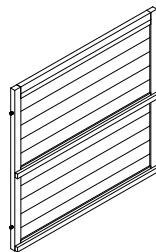
A

Right panel
1PC



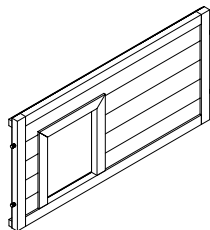
B

Back panel
1PC



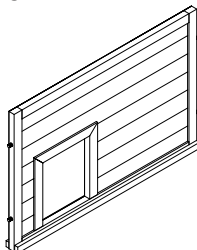
C

Down hatch front panel
1PC



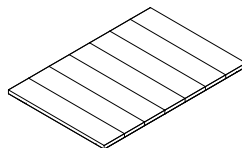
D

Upper hatch front panel
1PC



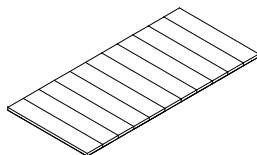
E

Upper hatch floor
1PC



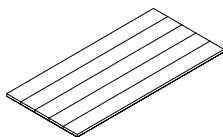
F

Balcony floor
1PC



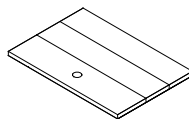
G

Bottom left floor
2PCS



H

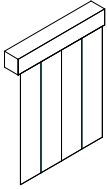
Divider
1PC



I

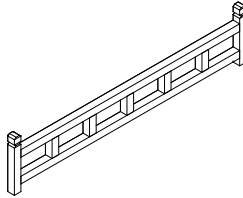
PARTS

PVC curtain
2PCS



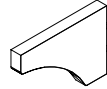
J

Fence
1PC



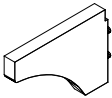
K

Down supporter
2PCS



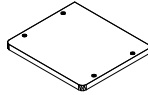
L

Upper supporter
2PCS



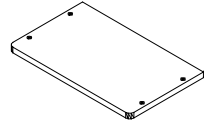
M

Down stair
1PC



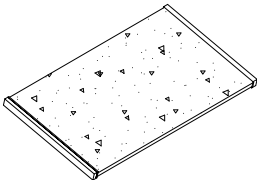
N

Upper stair
1PC



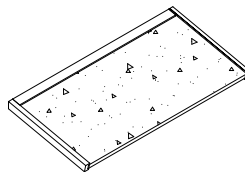
O

Back roof
1PC



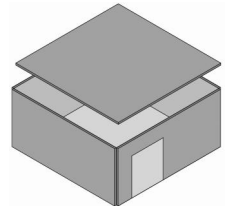
P

Front roof
1PC



Q

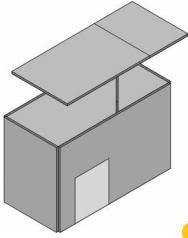
Insulated liner & Mat-
Bottom floor
1PC



R

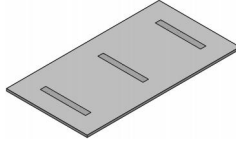
PARTS //

Insulated liner & Mat-
Upper floor
1PC



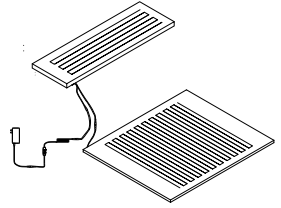
S

Insulated liner for roof
1PC



T

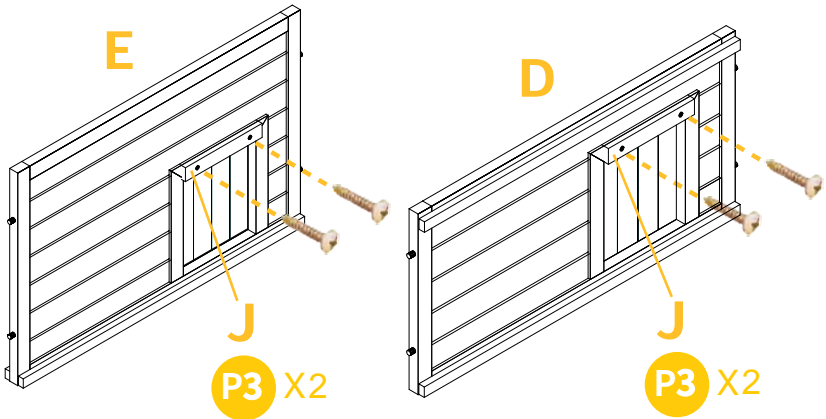
Heater
1PC



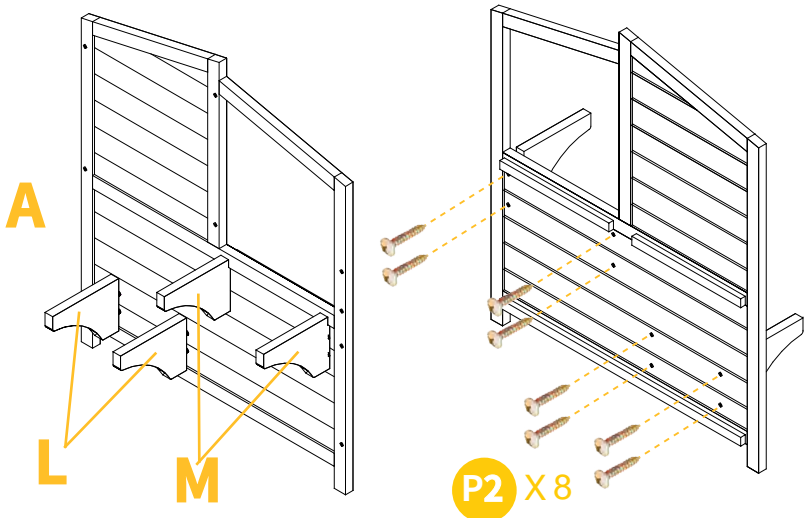
U

PRODUCT ASSEMBLY //

01 Screw the curtain Part J to the inside of the front panels Part D & E by 2xP3 each.

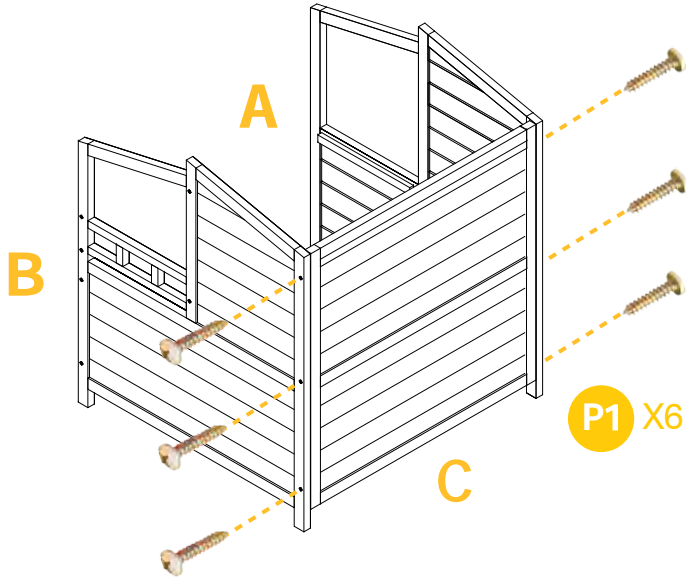


02 Attach the supporter Part L & M to the outside of the left panel Part A by 8xP2.

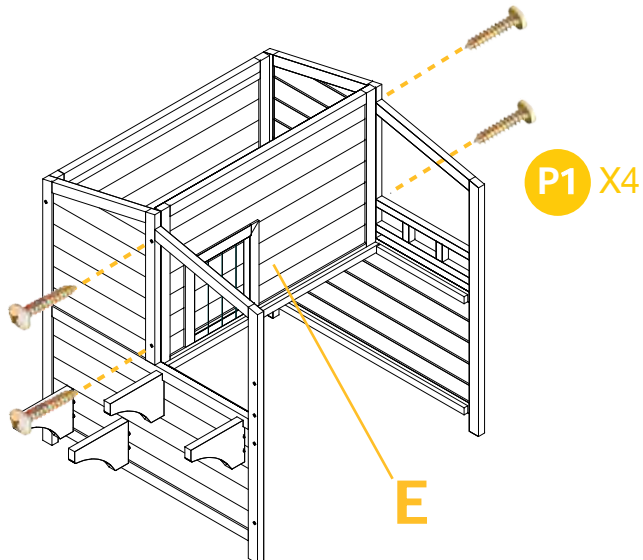


PRODUCT ASSEMBLY //

03 Attach the back panel Part C to the side panel Part A & B by 6xP1.

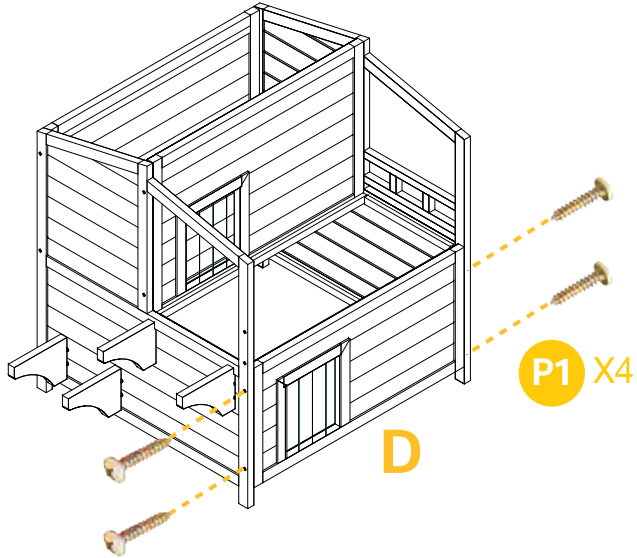


04 Attach the front upper panel Part E to the side by 4xP1.

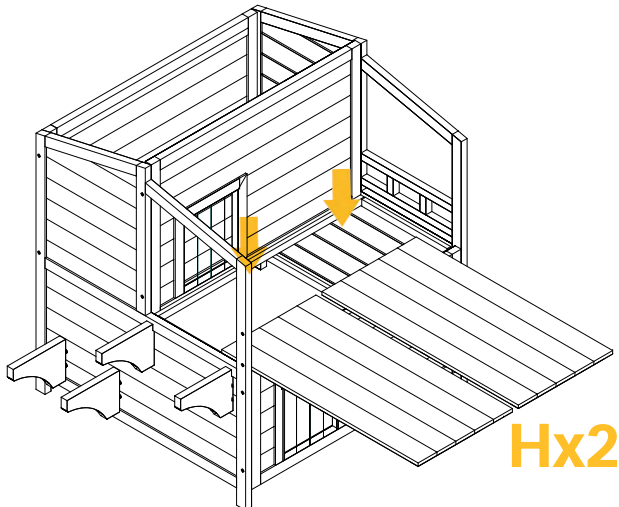


PRODUCT ASSEMBLY //

05 Attach the front down panel Part D to the side by 4xP1.

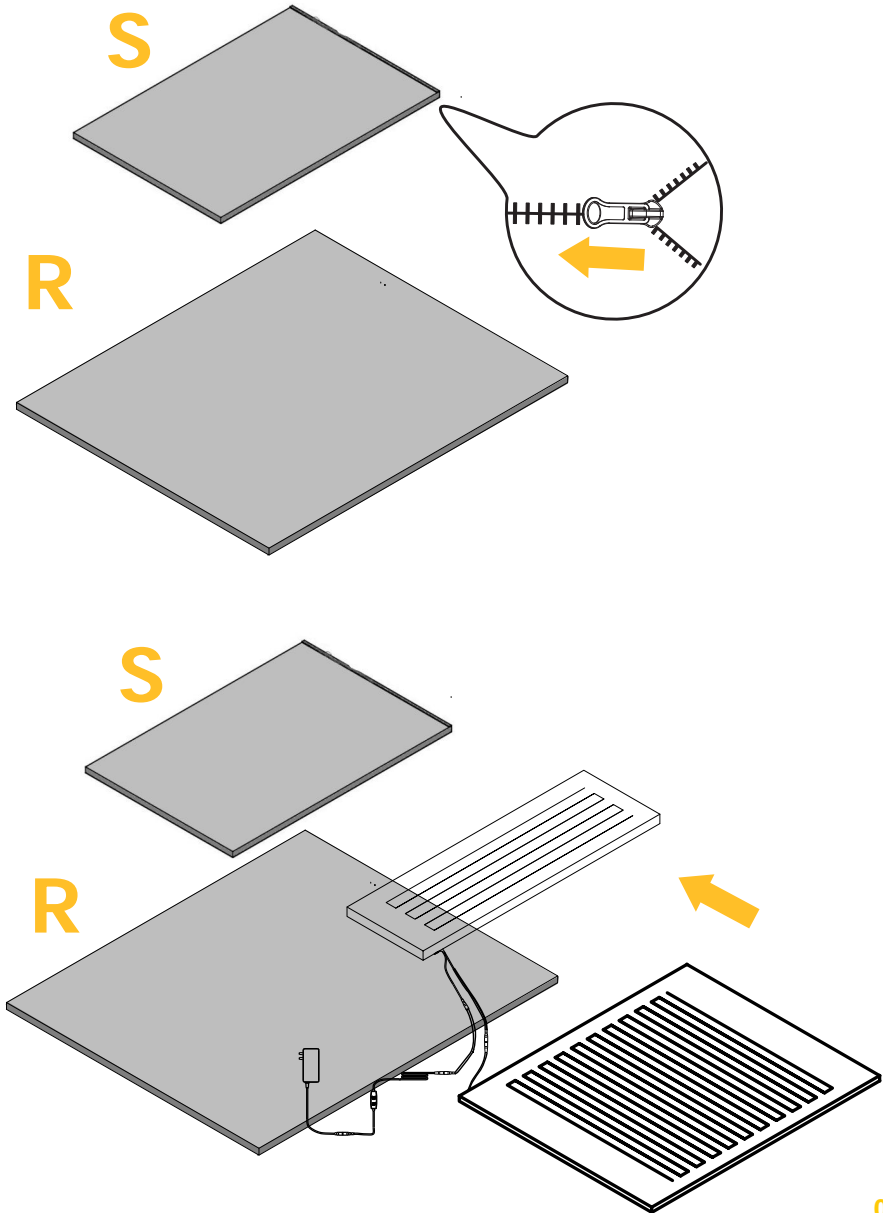


06 Put in the floor Part H to the bottom.



PRODUCT ASSEMBLY //

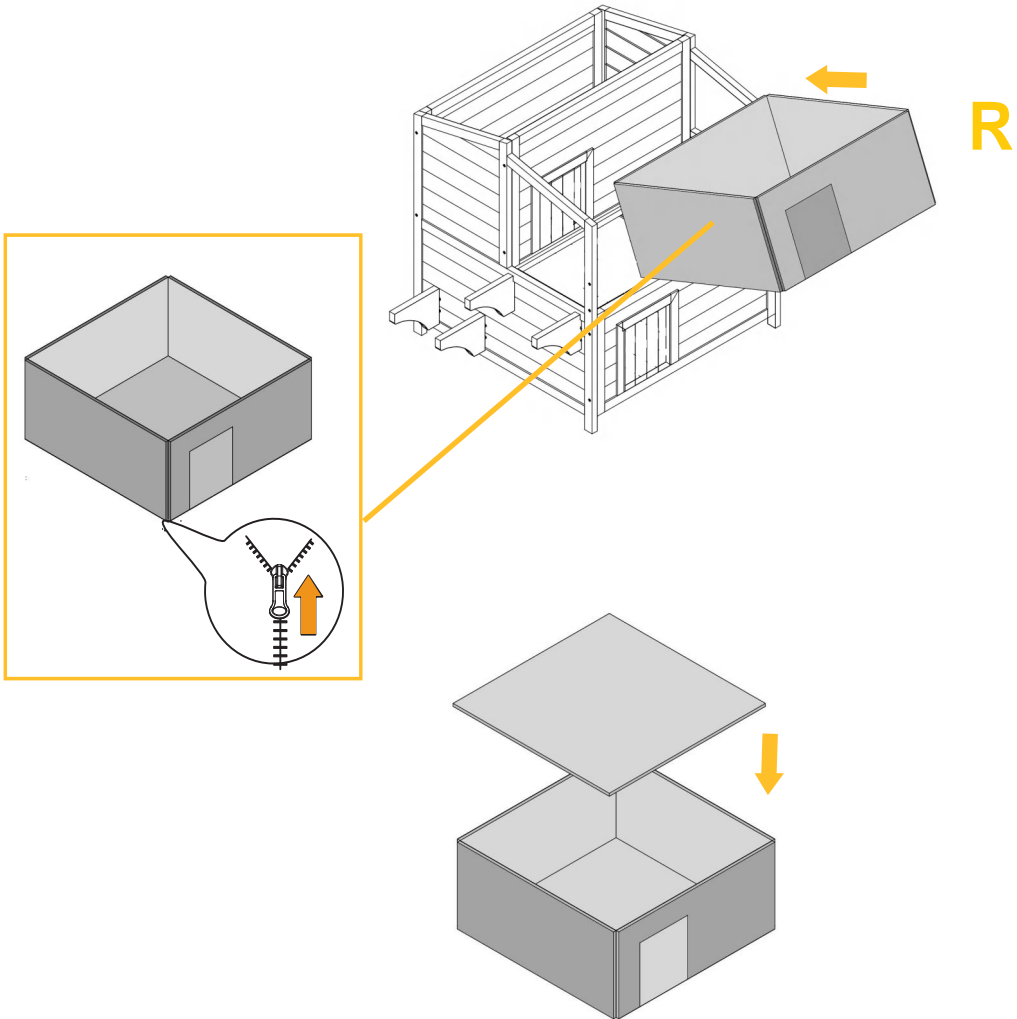
07 Open the insulated bottom liner Part R/S and then put the heater Part U inside.



PRODUCT ASSEMBLY //

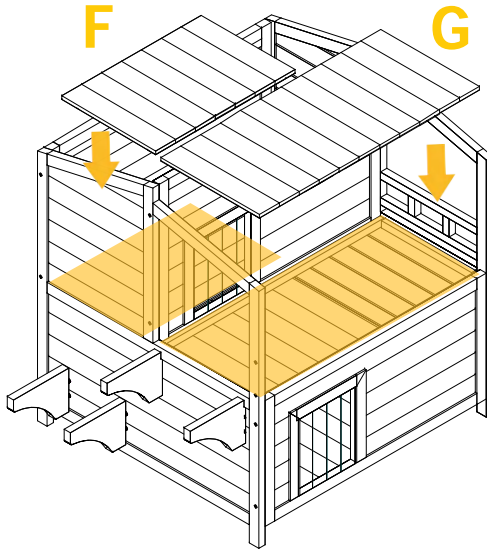
08

Zip up the insulated liner Part R, then put the liner into the bottom level.
Put the mat into the liner.

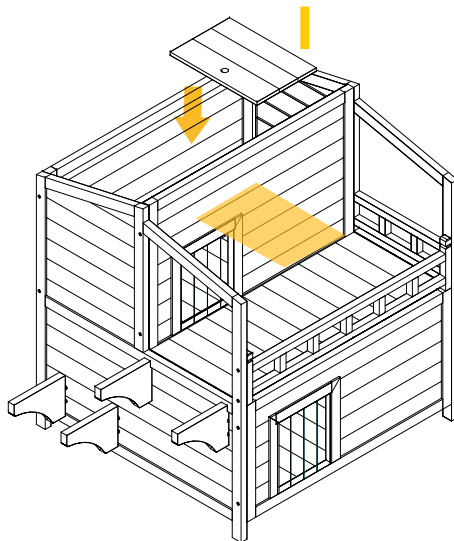


PRODUCT ASSEMBLY //

09 Put in the floor Part F & G to the upper layer.



10 Put in the divider Part R to close the up and down space. If you want a open space, the Part I is useless.

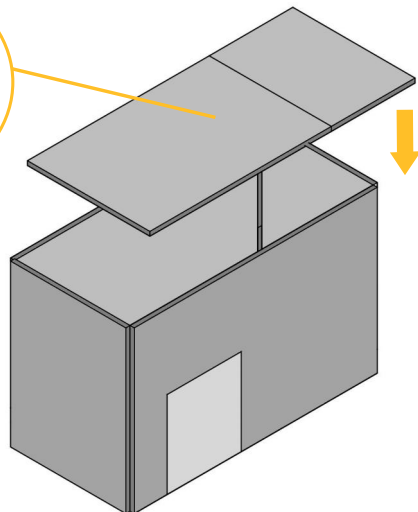
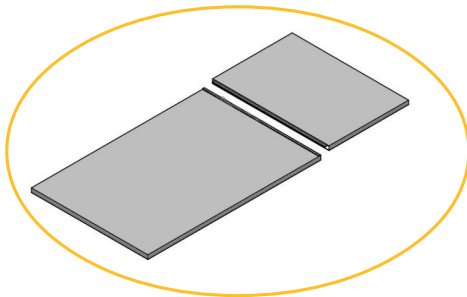
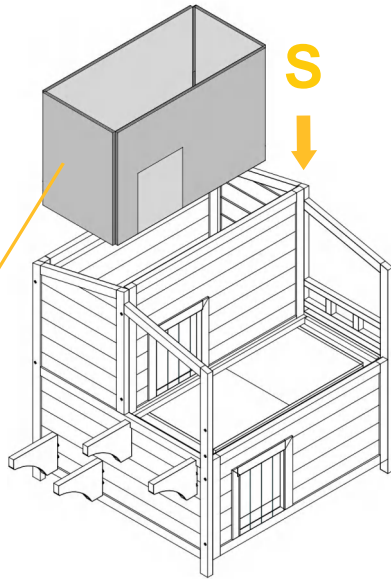
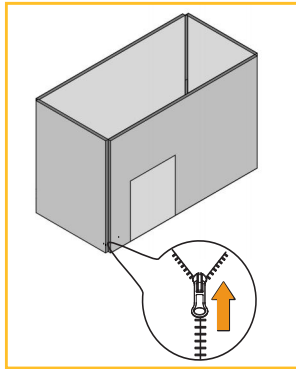


PRODUCT ASSEMBLY //

11

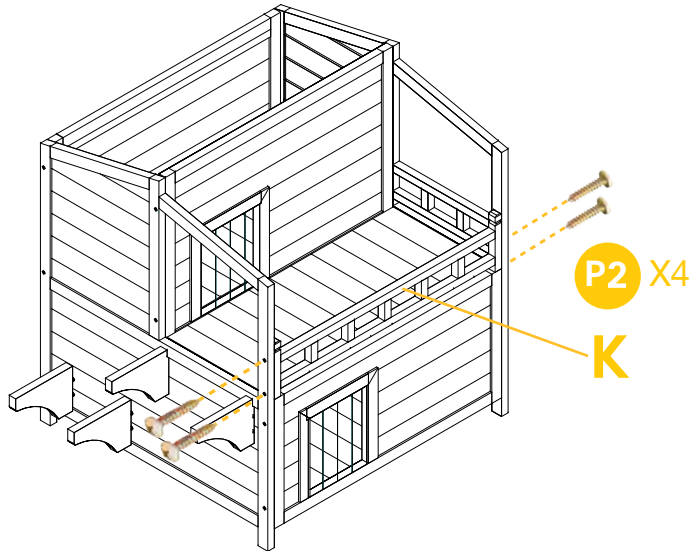
Zip up the insulated liner Part S, then put the liner into the upper level.
Put the mat into the liner.

(Note: If you want the cat to jump up and down, please ignore the small mat)

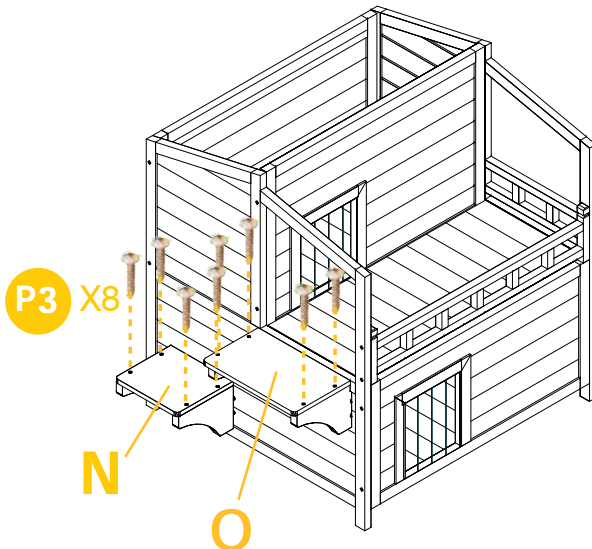


PRODUCT ASSEMBLY //

12 Attach fence Part K by 4xP2.

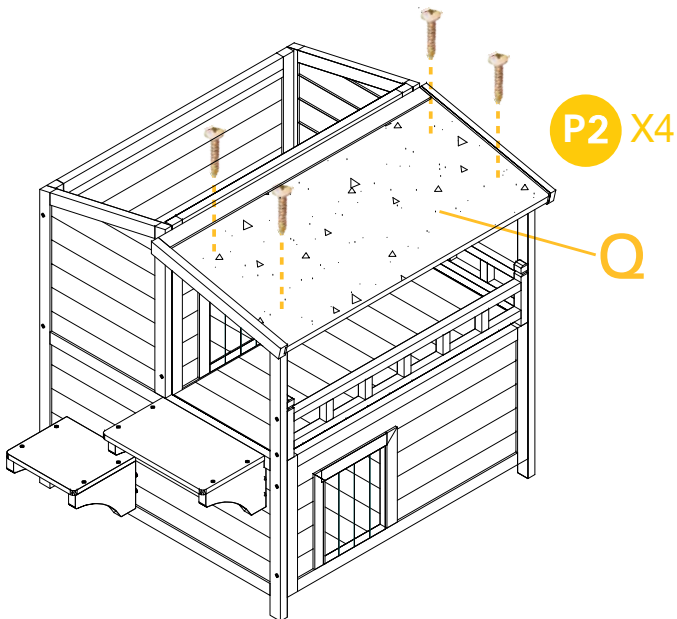
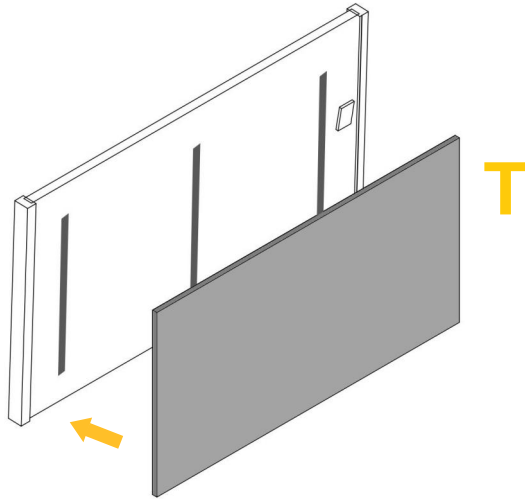


13 Screw down the stair Part N & O by 8xP3.



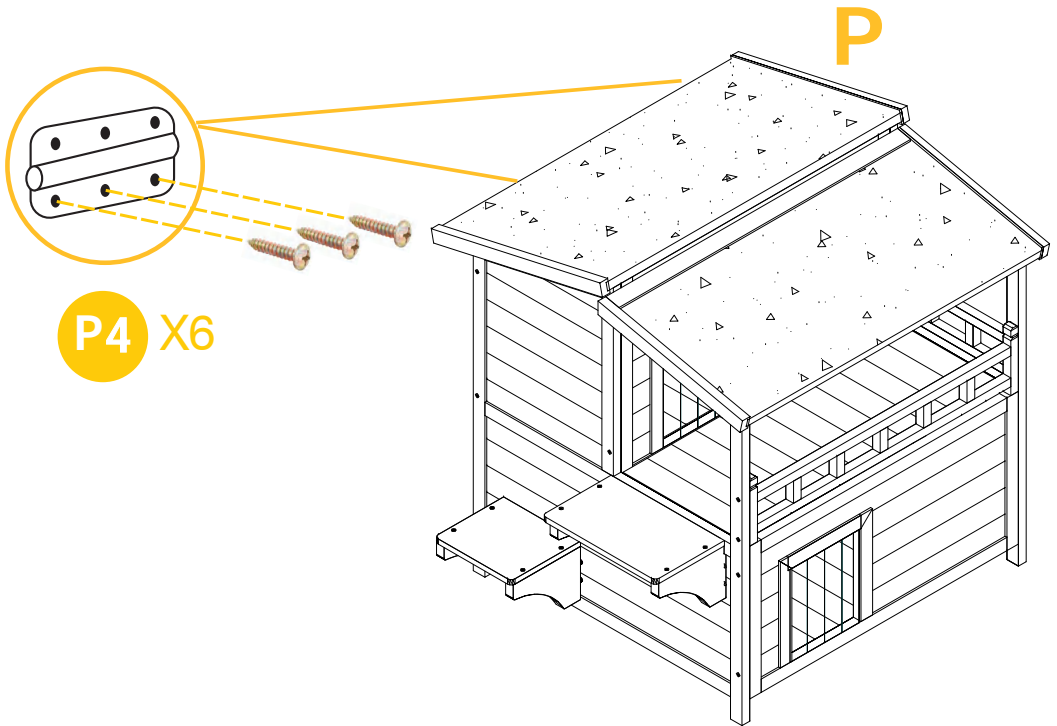
PRODUCT ASSEMBLY //

- 14** Stick the roof insulated liner Part T **INSIDE** of the roof.
Attach the roof panel Part Q by 4xP2.



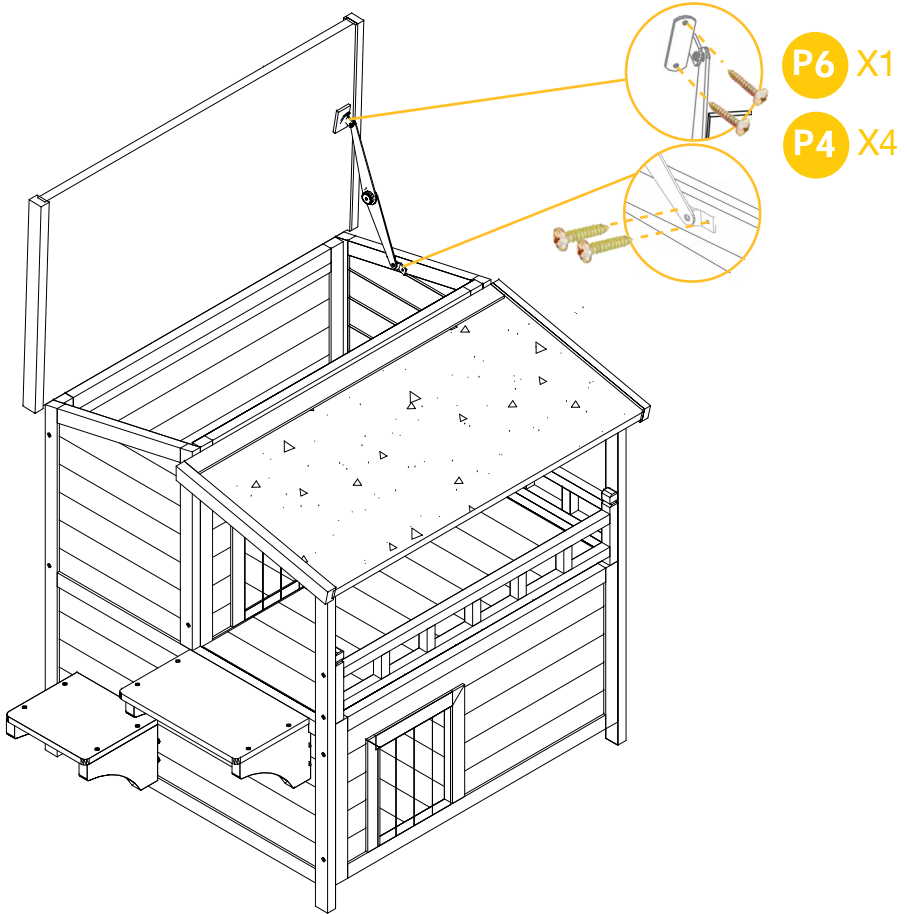
PRODUCT ASSEMBLY //

15 Attach the roof panel Part P by 6xP4.



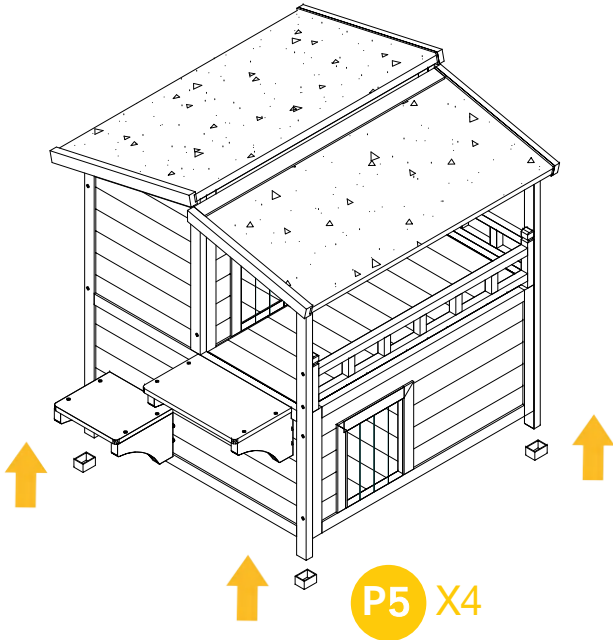
PRODUCT ASSEMBLY //

16 Attach the roof hinge P6 by 4xP4.



PRODUCT ASSEMBLY //

17 Attach the plastic feet to the leg.





WARNING

Manufacturer and seller expressly disclaim any and all liability for personal injury, property damage or loss, whether direct, indirect, or incidental, resulting from the incorrect attachment, improper use, inadequate maintenance, or neglect of this product.