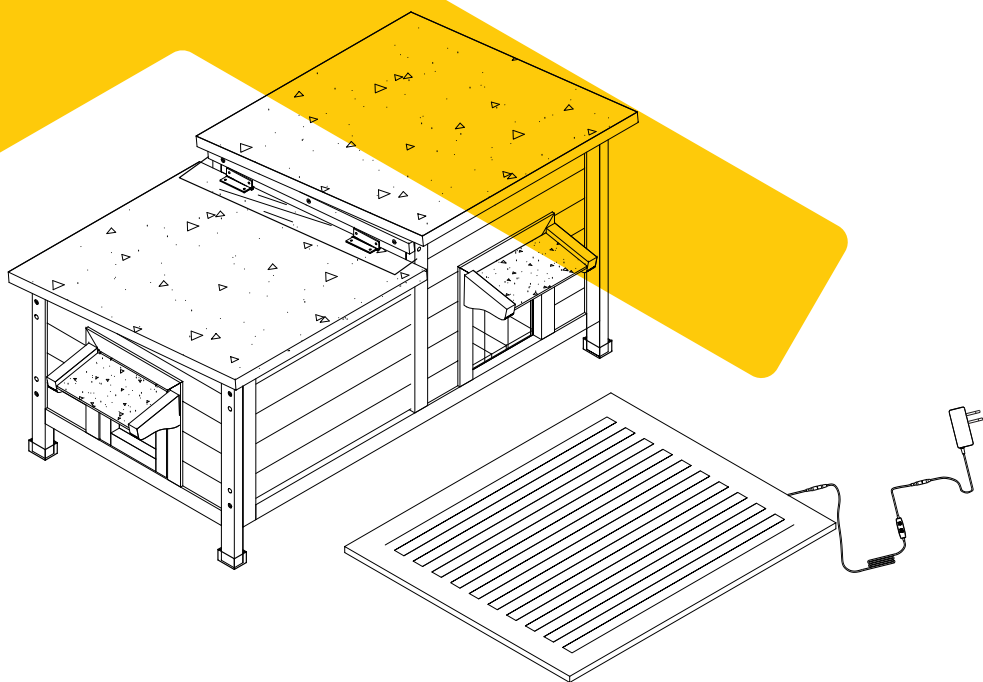


# INSTRUCTION MANUAL

AIR 93-IN-HP







## NOTICE

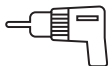
Please retain these instructions for future reference.

- Firmly secure all bolts,screws and knobs before use.
- Reconfirm that all bolts,screws,and knobs are secure every 90 days.
- Fasten screws loosely during initial assembly. Do not fully tighten screws until the item is completely assembled.
- Do not use or store this item in the proximity of open flame or flammable/combustible chemicals.
- Be aware that some parts are heavy and have sharp edges.
- Be aware that moving parts can injure,crush and cut.
- If any parts are missing,broken,damaged,or worn,stop using this product until repairs are made and/or factory replacement parts are installed.
- Do not use this item in a way inconsistent with the manufacturer's instructions as this could void the product warranty.

## TOOLS REQUIRED //



PHILLIPS  
SCREWDRIVER



DRILL  
(RECOMMENDED)



2PERSON  
ASSEMBLY



APPROXIMATELY  
45MIN. ASSEMBLY

## HARDWARE //

M3.5x40mm SCREW  
10PCS+1 spare



P1

M3.5x40mm SCREW  
4PCS+1 spare



P2

M3.5x25mm SCREW  
5PCS+1 spare



P3

M3.0x16mm SCREW  
8PCS+1 spare



P4

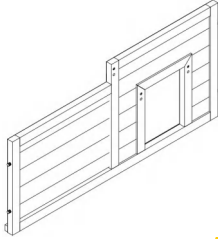
Plastic Feet  
4PCS



P5

# PARTS

Front panel  
1PC



A

The front panel is a long, narrow rectangular frame with horizontal slats. It features a central window opening with a small rectangular frame inside. The panel is shown from a perspective view.

PVC Curtain  
1PC



B

The PVC curtain is a vertical rectangular panel with a horizontal top edge. It has two small circular holes near the top edge, one on each side. The panel is shown from a perspective view.

Eave  
2PCS



C

The eave is a rectangular panel with a textured surface, possibly for insulation or weatherproofing. It has a slightly raised edge on one side. The panel is shown from a perspective view.

Left panel  
1PC



D

The left panel is a rectangular frame with horizontal slats, similar to the front panel but without the central window. It is shown from a perspective view.

Back panel  
1PC



E

The back panel is a rectangular frame with horizontal slats, similar to the front panel but without the central window. It is shown from a perspective view.

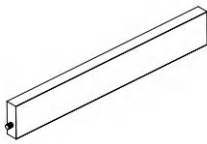
Right panel  
1PC



F

The right panel is a rectangular frame with horizontal slats, similar to the front panel but without the central window. It is shown from a perspective view.

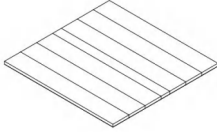
Divider  
1PC



G

The divider is a long, narrow rectangular strip with a slightly raised edge on one side. It is shown from a perspective view.

Bottom floor  
2PCS



H

The bottom floor consists of two rectangular panels with horizontal slats, shown from a perspective view.

Left roof  
1PC

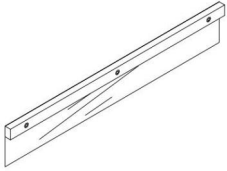


I

The left roof is a rectangular panel with a textured surface, similar to the eave. It has a slightly raised edge on one side. The panel is shown from a perspective view.

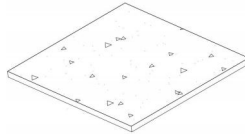
# PARTS

Waterproof PVC strip  
1PC



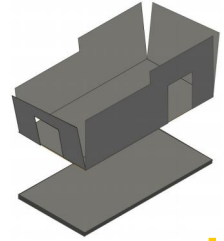
**J**

Right roof  
1PC



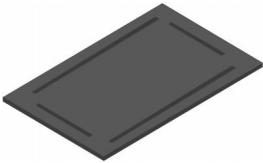
**K**

Insulated liner & Mat  
1PC



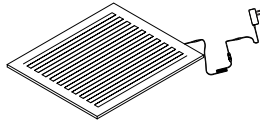
**L**

Insulated liner for roof  
2PCS



**M**

Heater  
1PC

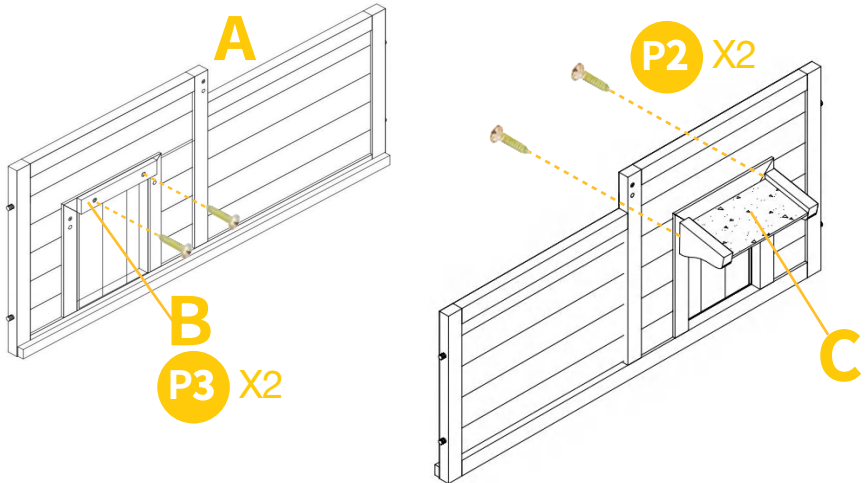


**N**

# PRODUCT ASSEMBLY //

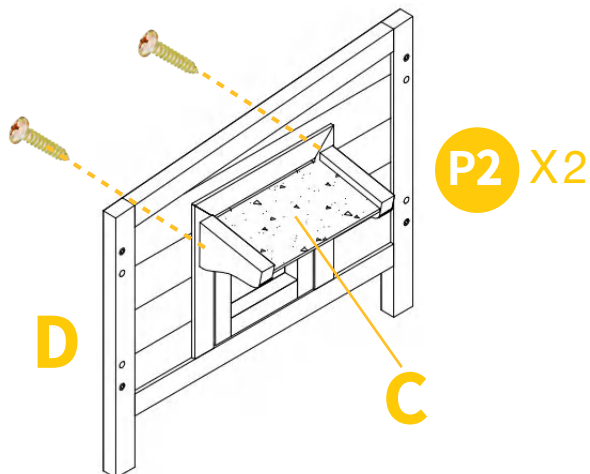
01

Screw the curtain Part B to the inside of the front panel Part A by 2xP3.  
Screw the eave Part C to the front side of front panel by 2xP2.



02

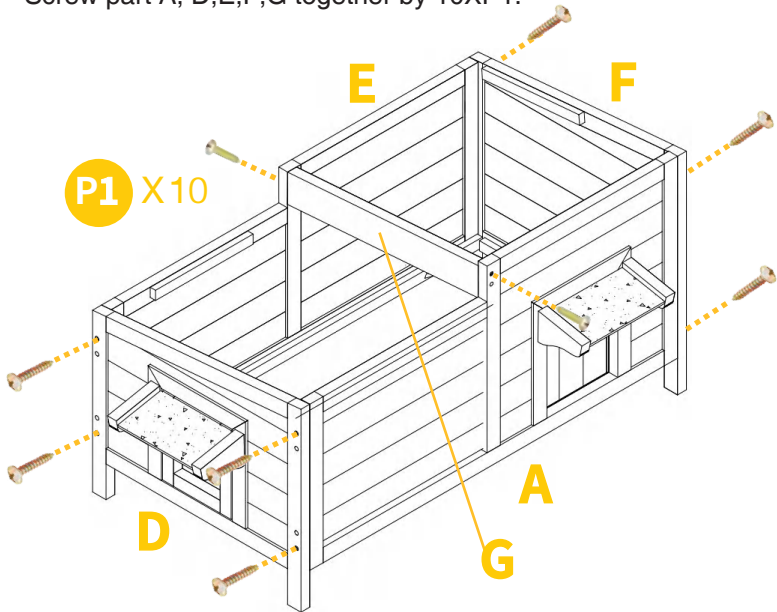
Screw the eave Part C to the left panel Part D by 2xP2.



# PRODUCT ASSEMBLY //

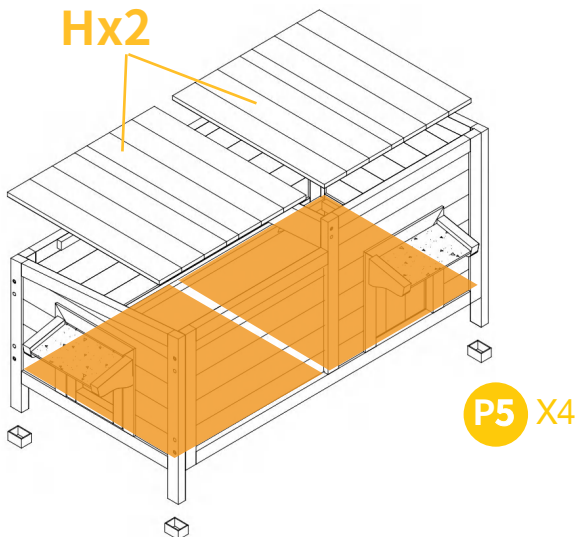
03

Screw part A, D,E,F,G together by 10XP1.



04

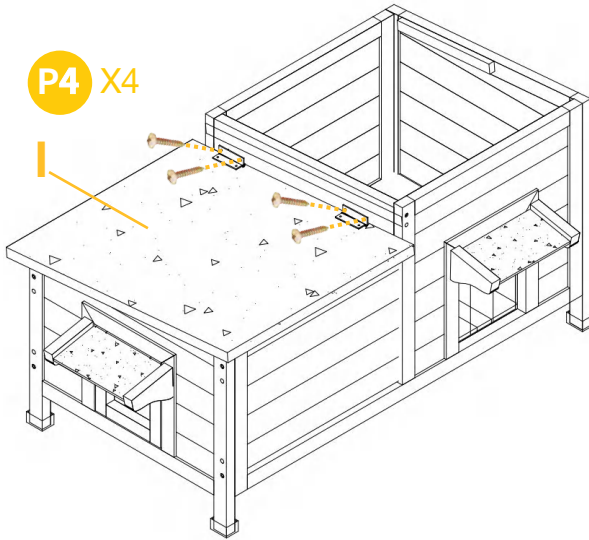
Put the bottom floor Part H to the house.  
Insert the plastic feet P5.



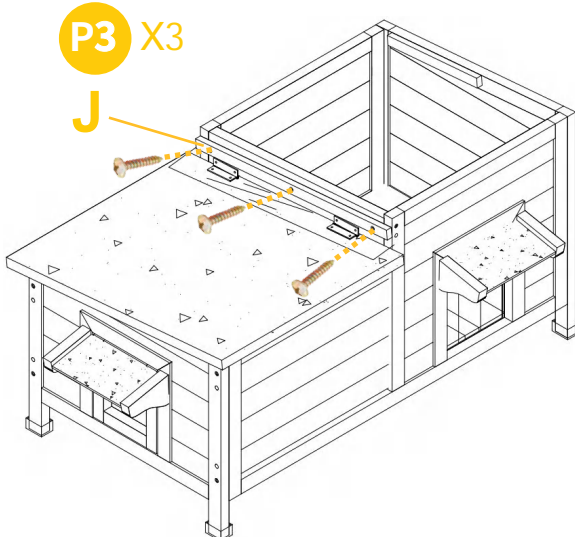
06

## PRODUCT ASSEMBLY //

**05** Screw the left roof Part I to the left house by 4XP4.

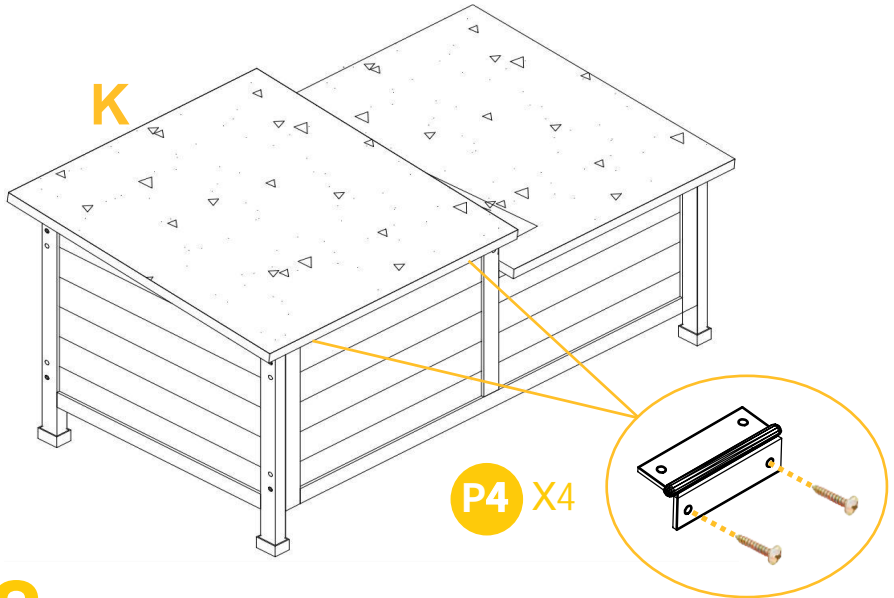


**06** Screw the waterproof PVC strip Part J by 3XP3.

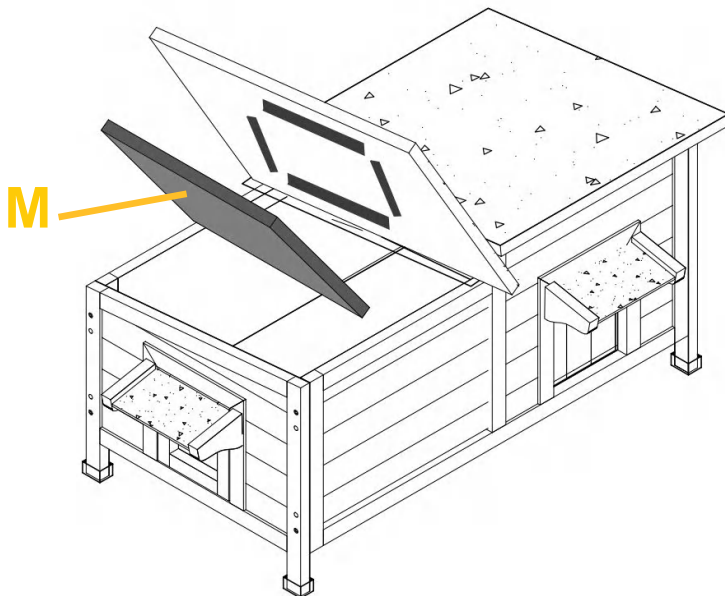


## PRODUCT ASSEMBLY //

**07** Screw the right roof Part K to the right house by 4XP4.

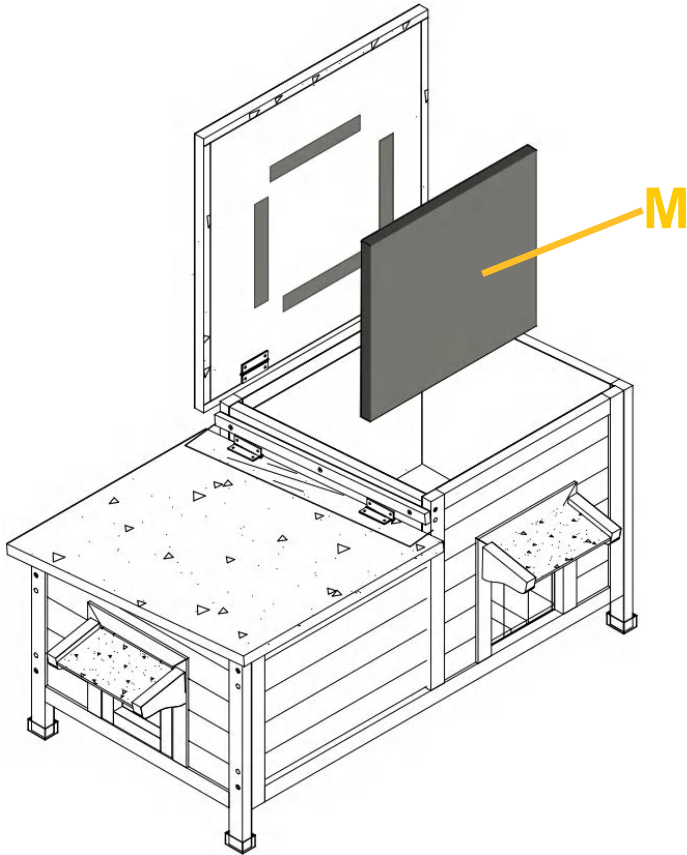


**08** Stick the insulated roof Part M.



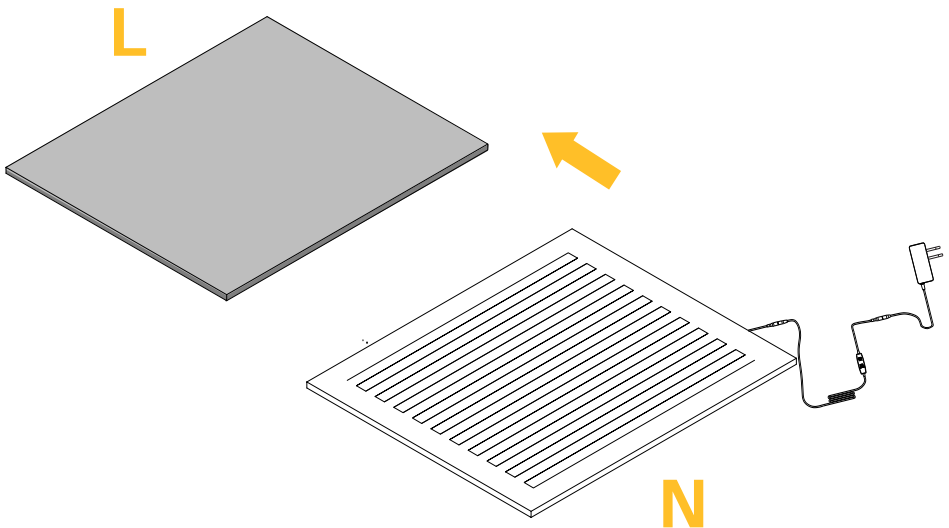
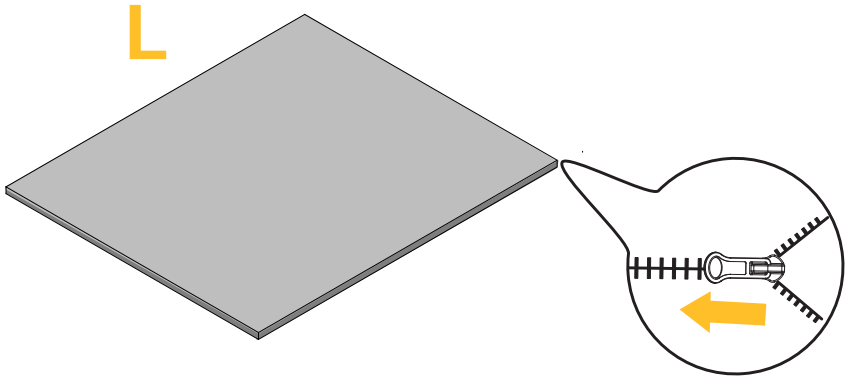
## PRODUCT ASSEMBLY //

**09** Stick the insulated roof Part M.



## PRODUCT ASSEMBLY //

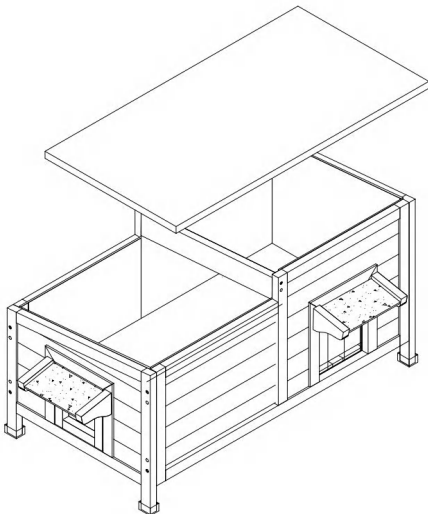
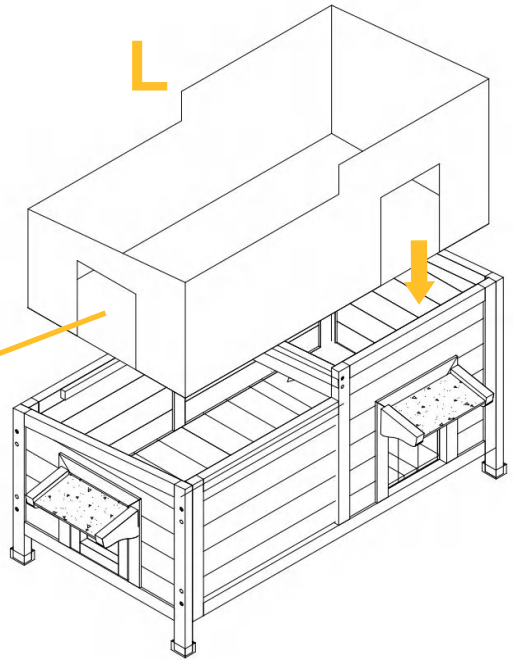
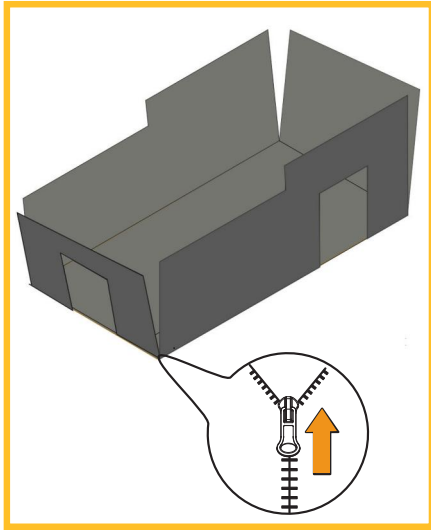
- 10** Open the insulated bottom liner Part L and then put the heater Part N inside .



## PRODUCT ASSEMBLY //

11

Unzip the insulated liner Part L, put the liner into the cat house, then put the mat into the liner.



Finish  
11



**WARNING**

Manufacturer and seller expressly disclaim any and all liability for personal injury, property damage or loss, whether direct, indirect, or incidental, resulting from the incorrect attachment, improper use, inadequate maintenance, or neglect of this product.