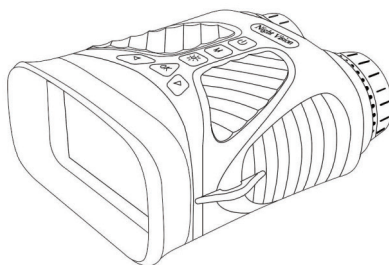
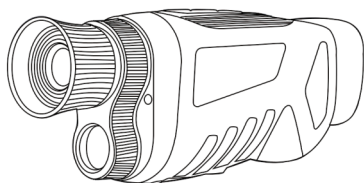




## Night Vision



©2024 BARSKA®  
855 Towne Center Drive | Pomona, CA 91767

08/24  
BC805





## Table Of Contents

---

NV-1 Monocular	3
Parts	3
Battery And SD Card Installation	4
Setting Up Your Night Vision Device	4
Taking Photos	4
Taking Videos	4
Using Playback Mode	5
Charging The Battery	5
Turn Off The Button Backlit	5
Turn Off The Device	5
Connect To A Computer	5
Set-Up Menu	5
Specification	6
NV-2 Binocular	7
Parts	7
Battery And SD Card Installation	8
Setting Up Your Night Vision Device	8
Taking Photos	8
Taking Videos	8
Using Playback Mode	9
Charging The Battery	9
Turn Off The Button Backlit	9
Turn Off The Device	9
Connect To A Computer	9
Set-Up Menu	9
Specification	10
Warranty	11

Note: All information, feature, and specification displayed herein are based on the data available at the time of publishing, thus they are subject to change without notice. All product pictures displayed herein are for illustration purposes only. The actual product may vary due to different circumstances



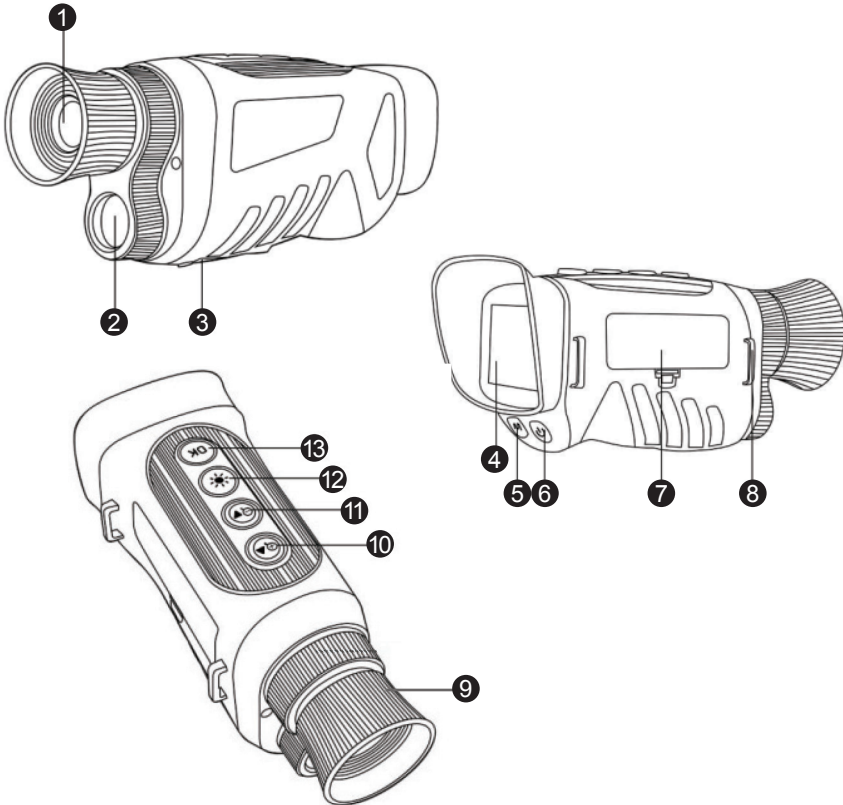
# How To Use NV-1 Monocular

Please read this instruction manual carefully before using the instrument.

Thank you for purchasing the Night Vision Binocular. This user guide is intended to provide you with guidelines to ensure that operation of this product is safe and does not a post risk to the user. Any use that does not conform to the guidelines described in this user guide may void the limited warranty. Please read all directions before using the product and retain this guide for reference. This product is indeed for domestic use only. It is not intended for commercial use. This product is covered by a limited one-year warranty.

## Parts

- 1. Objective lens
- 2. IR light
- 3. Type-C/Micro SD card slot
- 4. Display
- 5. Menu/mode button
- 6. Power on/off
- 7. Battery cover
- 8. Strap hook
- 9. Focus ring
- 10. Up/IR+/zoom in
- 11. Down/IR-/zoom out
- 12. IR light on/off button
- 13. OK button



\*Actual model may vary

## Battery And SD Card Installation

### Install Battery

Remove the battery compartment cover cap. Insert battery

### Install Micro SD Card

Open the rubber cap covering the USB port and Micro SD slot, and insert a micro SD card (up to 128GB, class 10 or greater for best results with video files) into the Micro SD slot.


If you will only use night vision binocular for “live” viewing and do not wish to use it for photos/videos, the unit will function normally without a card.

**WARNING Never look at the sun through this night vision unit (or any other optional instrument). It may permanently damage your eyes as well as the unit.**

### Setting Up Your Night Vision Device


1. Press the power button for three seconds to turn on the NV binocular.
2. Look at the LCD viewing screen.
3. Adjust the sharpness by turning the focus wheel in either direction until it becomes clear.
4. Zoom up to 8x by pressing and holding the zoom in button until you reach your desired level. If you keep pressing the zoom out button, you will zoom down to the default of 1x.
5. When using the binoculars at night, the lens should automatically adjust to the brightness level. Tap the IR button to turn on the IR lamp, tap the up button or down button to adjust the IR brightness from levels 1-7. Tap the IR button again to turn off the night vision mode.

### Taking Photos


1. When you power on your binoculars, it will automatically start in photo mode. You should see the camera icon  in the upper left corner of your LCD screen. If you do not see the camera icon, short press the until it appears.
2. Adjust the sharpness by turning the focus wheel. For nighttime use, tap IR button to turn on the IR light, adjust the brightness by pressing the up/down button.
3. Press the ok button to capture the images.



### Taking Videos

1. With the power on, short press the “M” button until you see the video icon  in the upper left corner of your screen.
2. Adjust the sharpness by turning the focus wheel, and for nighttime use, tap IR button to turn on the IR light, adjust the brightness by pressing the up/down button.
3. Press the ok button to capture the video.

### Using Playback Mode

1. With the power on, short press the “M” button until you see the playback icon  in the upper left corner of you screen.
2. The last file that has been saved will be displayed on the LCD screen. If it is a photo, the file suffix JPG will appear in the upper middle of the screen. For a video, the file suffix AVI will appear on the upper middle of the screen.
3. Use the up and down buttons to navigate through the saved files on your SD card.
4. Long press the “M” button to enter the menu of delete, press ok to enter sub-menu, use the up/down button to choose “delete current” or “delete all” and press the ok button to confirm.

### Charging The Battery

Connect to the camera to the AC adaptor, using the dedicated USB cable supplied. The camera can be charged by connecting the camera to a computer using the dedicated USB cable.

### Turn Off The Button Backlit

When you power on your binocular, the button backlit will automatically light up. Short press the power button to turn off the button backlit.

### Turn Off The Device

Press and hold the power button until the screen off.

### Connect To A Computer

Connect the camera to PC by using USB cable and turn on the camera, the PC can read the files in this camera.



## Set-Up Menu

Pressing and holding the “M” button will take you to the small setup menu. Here you can set the photo resolution, video resolution, date, backlight and language. Once in the setup menu, you can use the up/down buttons to choose setting project and press ok button to user sub-menu. Within a sub-menu, you can scroll from one item to another using the up/down button. The ok button is for confirmation and exit.

## Specification

Field of application	Camping and outdoor leisure, wildlife observation, hunting	
Optical magnification	6x	
Digital zoom	8x	
Lens diameter	25mm	
Field of view	10°	
Image sensor	CMOS	
IR Illuminator power/wavelength	3W/850nm	
Max. viewing distance	250-300 Meters for night	
Photo resolution	48M, 30M, 25M, 20M, 10M, 8M, 5M 3M	
Photo format	JPG	
Video resolution	2.5K UHD, 1080FHD, 1080P, 720P	
Video format	AVI	
Display	2 inch IPS screen	
Operating temperature	-30° up to +60°C	
Language	English	Japanese
	French	Spanish
	Portuguese	German
	Korean	Italian
	Chinese	Russian
	Arabic	
Recording during the day	Color	
Recording at night	Black and white	
Memory	Micro SD card, max to 128 GB	
Port	Type-C	
Battery	Built-in rechargeable lithium battery	

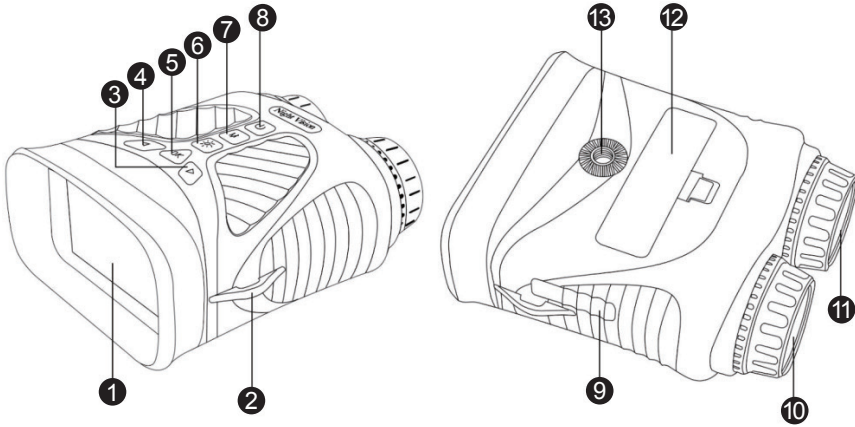
## How To Use NV-2 Binocular

Please read this instruction manual carefully before using the instrument.

Thank you for purchasing the Night Vision Binocular. This user guide is intended to provide you with guidelines to ensure that operation of this product is safe and does not pose a risk to the user. Any use that does not conform to the guidelines described in this user guide may void the limited warranty. Please read all directions before using the product and retain this guide for reference. This product is indeed for domestic use only. It is not intended for commercial use. This product is covered by a limited one-year warranty. Coverage is subject to limits and exclusions. See warranty for details.

### Parts

1. Display
2. Strap hook
3. Right button/IR-/Zoom -
4. Left button/IR+/Zoom +
5. Ok button
6. IR light on/off button
7. Menu/mode button
8. Power on/off
9. Type-C USB port / micro SD card slot
10. Focus ring
11. IR light
12. Battery cover
13. Tripod hole



## Battery And SD Card Installation

### Install Battery

Remove the battery compartment cover cap. Insert battery

### Install Micro SD Card

Open the rubber cap covering the USB port and Micro SD slot, and insert a micro SD card (up to 128GB, class 10 or greater for best results with video files) into the Micro SD slot (metal contacts facing down, see card icon right of slot for correct orientation).


If you will only use night vision binocular for “live” viewing and do not wish to use it for photos/videos, the unit will function normally without a card.

**WARNING Never look at the sun through this night vision unit (or any other optional instrument). It may permanently damage your eyes as well as the unit.**

### Setting Up Your Night Vision Device

1. Press the power button for three seconds to turn on the NV binocular.
2. Look at the LCD viewing screen.
3. Adjust the sharpness by turning the focus wheel in either direction until it becomes clear.
4. Zoom up to 8x by pressing and holding the left button until you reach your desired level. If you keep pressing the right button, you will zoom down to the default of 1x.
5. When using the binoculars at night, the lens should automatically adjust to the brightness level. Tap the IR button to turn on the IR lamp, tap the left button or right button to adjust the IR brightness from levels 1-7. Tap the IR button again to turn off the night vision mode.


### Taking Photos

1. When you power on your binoculars, it will automatically start in photo mode. You should see the camera icon  in the upper left corner of your LCD screen. If you do not see the camera icon, short press the menu/mode button until it appears.
2. Adjust the sharpness by turning the focus wheel and for nighttime use, tap IR button to turn on the IR light, adjust the brightness by pressing the left/right button.
3. Press the ok button to capture the images.






### Taking Videos

1. With the power on, short press the menu/mode button until you see the video icon  in the upper left corner of your screen.
2. Adjust the sharpness by turning the focus wheel, and for nighttime use, tap IR button to turn on the IR light, adjust the IR light brightness by pressing the left/down button.
3. Press the ok button to capture the video.

### Using Playback Mode

1. With the power on, short press the menu/mode button until you see the playback icon  in the upper left corner of you screen.
2. The last file that has been saved will be displayed on the LCD screen. If it is a photo, the file suffix JPG will appear in the upper middle of the screen. For a video, the file suffix AVI will appear on the upper middle of the screen.
3. Use the left and right buttons to navigate through the saved files on your SD card.
4. Long press the “M” button to enter the menu of delete, press ok to enter sub-menu, use the left/right button to choose “delete current” or “delete all” and press the ok button to confirm.

### Charging The Battery

Connect to the camera to the AC adaptor, using the dedicated USB cable supplied. The camera can be charged by connecting the camera to a computer using the dedicated USB cable.

### Turn Off The Button Backlit

When you power on your binocular, the button backlit will automatically light up. Short press the power button to turn off the button backlit.

### Turn Off The Device

Press and hold the power button until the screen off.

### Connect To A Computer

Connect the camera to PC by using USB cable and turn on the camera, the PC can read the files in this camera.



## Set-Up Menu

Pressing and holding the menu button will take you to the small setup menu. Here you can set the photo resolution, video resolution, date, backlight and language. Once in the setup menu, you can use the left/right buttons to choose setting project and press ok button to user sub-menu. Within a sub-menu, you can scroll from one item to another using the left/right button. The ok button is for confirmation and exit.

## Specification

Field of application	Camping and outdoor leisure, wildlife observation, hunting	
Optical magnification	10x	
Digital zoom	8x	
Lens diameter	43mm	
Field of view	10°	
Image sensor	CMOS	
IR Illuminator power/wavelength	3W/850nm	
Max. viewing distance	250-300 Meters for night	
Photo resolution	40M, 30M, 25M, 20M, 10M, 8M, 5M 3M	
Photo format	JPG	
Video resolution	2.5K UHD, 1080FHD, 1080P, 720P	
Video format	AVI	
Display	3 inch IPS screen	
Operating temperature	-30° up to +55°C	
Language	English	Japanese
	French	Spanish
	Portuguese	German
	Korean	Italian
	Chinese	Russian
	Arabic	
Recording during the day	Color	
Recording at night	Black and white	
Memory	Micro SD card, max to 128 GB	
Port	Type-C	
Battery	Built-in rechargeable lithium battery	

# 1 YEAR LIMITED WARRANTY

## NIGHT VISION

BARSKA® Optics, as manufacturer, warrants this new precision optical product to be free of original defects in materials and/or workmanship for the length of time specified by this warranty. This warranty does not include damage caused by abuse, improper handling, installation, maintenance, normal wear-and-tear, unauthorized repairs or modifications and tampering in anyway.

This warranty applies only to products purchased within the United States, excluding Alaska, the Hawaiian Islands and all U.S. territories in the Caribbean and the Pacific.

In the event of a defect within 30 days, the consumer must return the defective unit to the BARSKA dealer (the place of purchase) at his/her own expense.

Beyond 30 days, BARSKA products should be sent to the following address for warranty repairs. Products must be packed carefully and sturdily to prevent damage in transit, and returned freight prepaid to:

BARSKA® OPTICS  
Repair Department  
855 Towne Center Drive  
Pomona, CA 91767

For additional and updated information  
please visit our website at [www.barska.com](http://www.barska.com)

Please email [info@barska.com](mailto:info@barska.com) or call 1-909-445-8168 (Press 3 for Customer Service) for Return Merchandise Number (RMA#) before any returns.

NOTE: All merchandise received without a valid RMA # will be returned to shipper at his/her own expense.

Please include all of the following when returning BARSKA products for service and/or replacement:

1. Please write your complete details (Name, Address, Telephone #, E-mail address, RMA#, etc.)
2. Purchase receipt or Proof of Purchase. (Original/Copy)
3. A brief explanation of the defect.
4. A Check/Money Order of \$25.00 to cover inspection, shipping and handling.

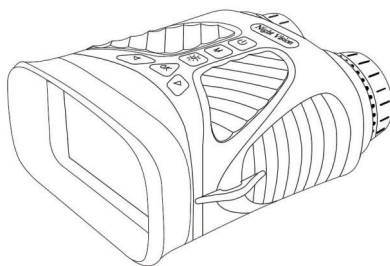
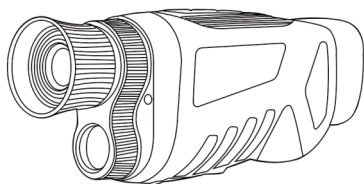
\*Please allow 6-8 weeks for delivery.

This product will either be replaced or repaired at the discretion of the warrantor. If it's a discontinued item, we will replace the product with an equivalent product. Should the repair not be covered by this warranty, an estimate will be sent for your approval. Non-warranty repairs or refurbishing of your optical products are always provided at a reasonable cost.

BARSKA® Optics shall not be liable for any consequential, incidental and/or contingent damages whatsoever. We will not pay shipping, insurance or transportation charges from you to us, or any import fees, duties and or taxes. This warranty supersedes all previous BARSKA® Optics warranties.



## Night Vision



©2024 BARSKA®  
855 Towne Center Drive | Pomona, CA 91767

08/24  
BC805

