

**Warning:**

- 1-Ride-on car is designed for children up 18-36 months old. Ride's weight must not exceed 25kgs/55lbs. as there is insufficient strength to support overweight.
- 2-Product is designed to seat 1 child at a time to avoid injuries.
- 3-Parental guidance and supervision are strongly advised to ensure safe riding.
- 4-Adult assembly and installation of all parts are required to ensure safety.
- 5-Batteries to be handled by adults.
- 6-Take care of riding and avoid going near streets,crossroads,all traffic areas,swimming pools,and stairs.
- 7-Without regular check of the product,it will cause overturn or fall
- 8-Check to see occasionally that the nut and bolt on the steering wheel is tight and secure.
- 9-Dangers may present if the product is not correctly assembled.
- 10-Shoes must be worn in use.

**Battery Handling:**

- 1-Battery must be handled by adults only.
- 2-Always remove exhausted batteries.
- 3-Use AA size batteries only.
- 4-Alkaline batteries are recommended.
- 5-Always remove batteries when the unit is not going to be used for an extended period of time.
- 6-When replacing new batteries,always replace all batteries.
- 7-Do not mix old and new batteries.
- 8-Do not mix Alkaline,Standard(Carbon-Zinc),or Rechargeable(Nickel-Cadmium)batteries.
- 9-Do not dispose of batteries in fire,batteries may explode or leak.
- 10-Non-rechargeable batteries are not to be recharged
- 11-Rechargeable batteries are to be removed from the toy before being charged
- 12-Rechargeable batteries are only to be charged under adult supervision
- 13-Batteries are to be inserted with the correct polarity
- 14-The supply terminals are not to be short-circuited





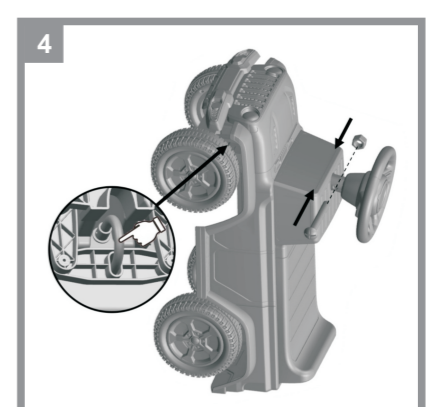
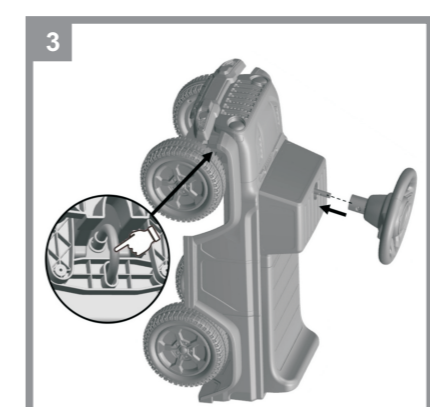
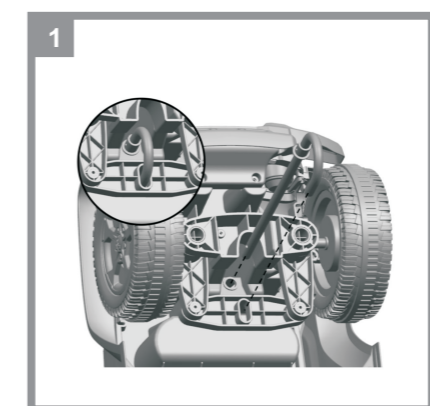
**JEEP RUBICON FOOT TO FLOOR**  
**Item No: 664/FR4688**  
 Instructions Manual

**WARNING**  
**ADULT ASSEMBLY**  
**REQUEST.**

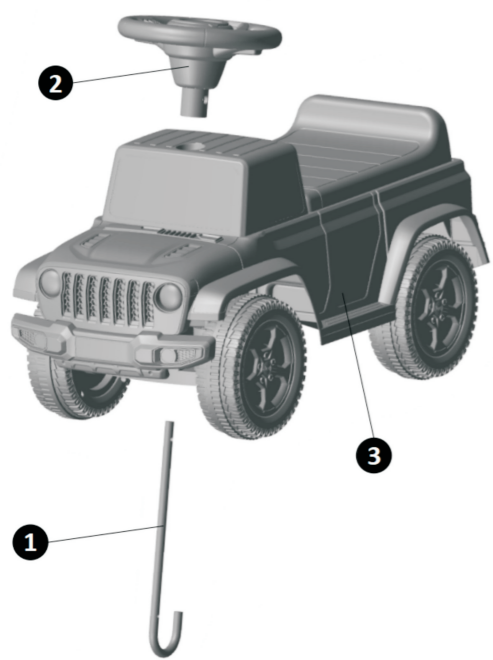



Jeep, the Jeep grille and related logos, vehicle model names and trade dress are trademarks of FCA US LLC and used under license by Ningbo Prince Toys Co., Ltd. 2022 FCA US LLC.

**ASSEMBLY**



**COMPONENTS LIST**

	1.J-sharped stick 1pc	2.Steering wheel 1pc
	3.Body 1 pc	

**BATTERY CHANGE**

