

MODEL NO. **AHL002**

FREDDO AGES 18-36M^{EN}
Vintage Chevrolet
SKU#: FR3333
Chevrolet 3100
OWNER'S MANUAL

Please read entire manual before starting assembly.
Keep this manual along with your purchase receipt for future reference.



gm OFFICIAL LICENSED PRODUCT
GENERAL MOTORS TRADEMARKS USED UNDER LICENSE TO JIAXING HARLEY BABY CAR COMPANY LIMITED
(Max. weight 55 lb/25 kg)


WARNING:
CHOKING HAZARD—Small parts. Not for children under 3 years.

WARNING:
Toy must be assembled by adult before use.

CAUTION
Screws contain potentially hazardous sharp points or sharp edges. Adult assembly required.

WARNING
To reduce the risk of injury, adult supervision is required. Never use on road ways, near motor vehicles, on or near steep inclines or steps, swimming pools or other bodies of water. Always wear shoes, and never allow more than one rider.

Battery Installation



Protect the environment by not disposing of this product with household waste (2012/19/EU). Check your local authority for recycling advice and facilities.

- For longer life, use alkaline batteries.
- Loosen the screw into the battery compartment door with a Phillips screwdriver and remove the door.
- Insert two, new AAA (LR03) alkaline batteries.
- Replace the battery compartment door and tighten the screw. Do not over-tighten.


Battery Safety Information

In exceptional circumstances, batteries may leak fluids that can cause a chemical burn injury or ruin your product. To avoid battery leakage:

- Do not mix old and new batteries or batteries of different types: alkaline, standard (carbonzinc) or rechargeable (nickel-cadmium).
- Insert batteries as indicated inside the battery compartment.
- Remove batteries during long periods of non-use. Always remove exhausted batteries from the product. Dispose of batteries safely. Do not dispose of this product in a fire. The batteries inside may explode or leak.
- Never short-circuit the battery terminals.
- Use only batteries of the same or equivalent type, as recommended.
- Do not charge non-rechargeable batteries.
- Remove rechargeable batteries from the product before charging.
- If removable, rechargeable batteries are used, they are only to be charged under adult supervision.

Parts List

• Please identify all parts before assembly and save all packaging material until assembly is completed to ensure that no parts are discarded.
• Metal parts have been coated with lubricant for protection during shipment. Wipe all metal parts with a paper towel to remove any excess lubricant.



Main body x 1 Steering wheel x 1 Wheel Cap x 4 Wheel x 4

Socket tool x 2 Steering Column x 1 (J-Hook) Washer x 1 (10 x 1.5mm) Washer x 4 (8 x 1.3mm)

Nut x 1 (M5) Screw x 1 (5 x 25mm) Screw x 4 (4 x 12mm) Manual x 1

Anti-Tipping Support x 1

Remote Control Operation, please read the attached manual separately.

Assembly

WARNING
Children can be harmed by small parts, sharp edges and sharp points in the vehicles unassembled state, or by electrical items. Care should be taken in unpacking and assembling the vehicle. Children should not handle parts, including the battery, or help in the assembly of the vehicle.

4

1. Screw (4 x 12mm)

2. Insert the anti-tipping support and fasten with 4 screws.

3. Screw (5 x 25mm) Nut (M5)

Place the steering wheel into the steering column. Tighten the screw with nut.

4. Washer (10 x 1.5mm) Front wheel

Front Wheels: Assemble all the parts in sequence as picture and use the socket tool to fasten. Repeat the same procedures for the other side.

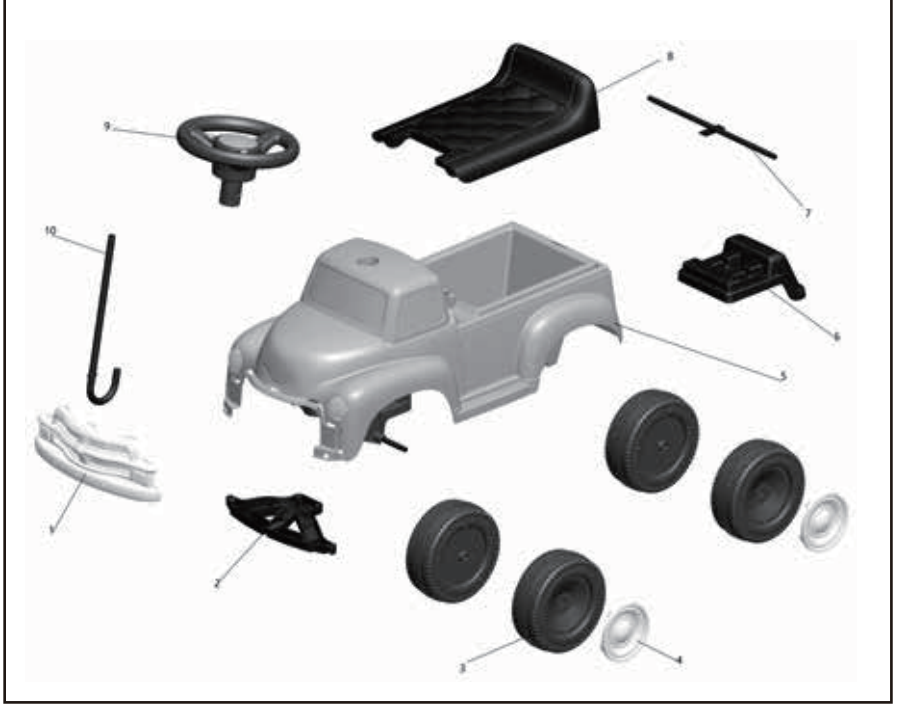
Assembly

5. Washer (10 x 1.5mm) Rear wheel

6. Snap wheel caps to all 4 wheels.

7. Tighten the screw for the seat.

Parts Diagram



Note: Some parts shown are assembled to both sides of the vehicle.

No. Part	Quantity	No. Part	Quantity
1. Front End Assembly	1	9. Steering Wheel	1
2. Front Support Assembly	1	10. Steering Column (J-Hook)	1
3. Wheel	4		
4. Wheel Cap	4		
5. Main Body	1		
6. Anti-Tipping Support	1		
7. Rear Axle	1		
8. Seat	1		