



FREDDO

CAT DUMP TRUCK

Item No:H4/FR3952

18-36 months



Installation & operation Manual



CAUTION:

- This package contains small parts
- Adult assembly required
- Remove all plastic bags and tires prior to giving to children
- Protective equipment recommended
- Not to be used in traffic
- Keep this instructions for future reference

WARNING

ADULT ASSEMBLY REQUEST.

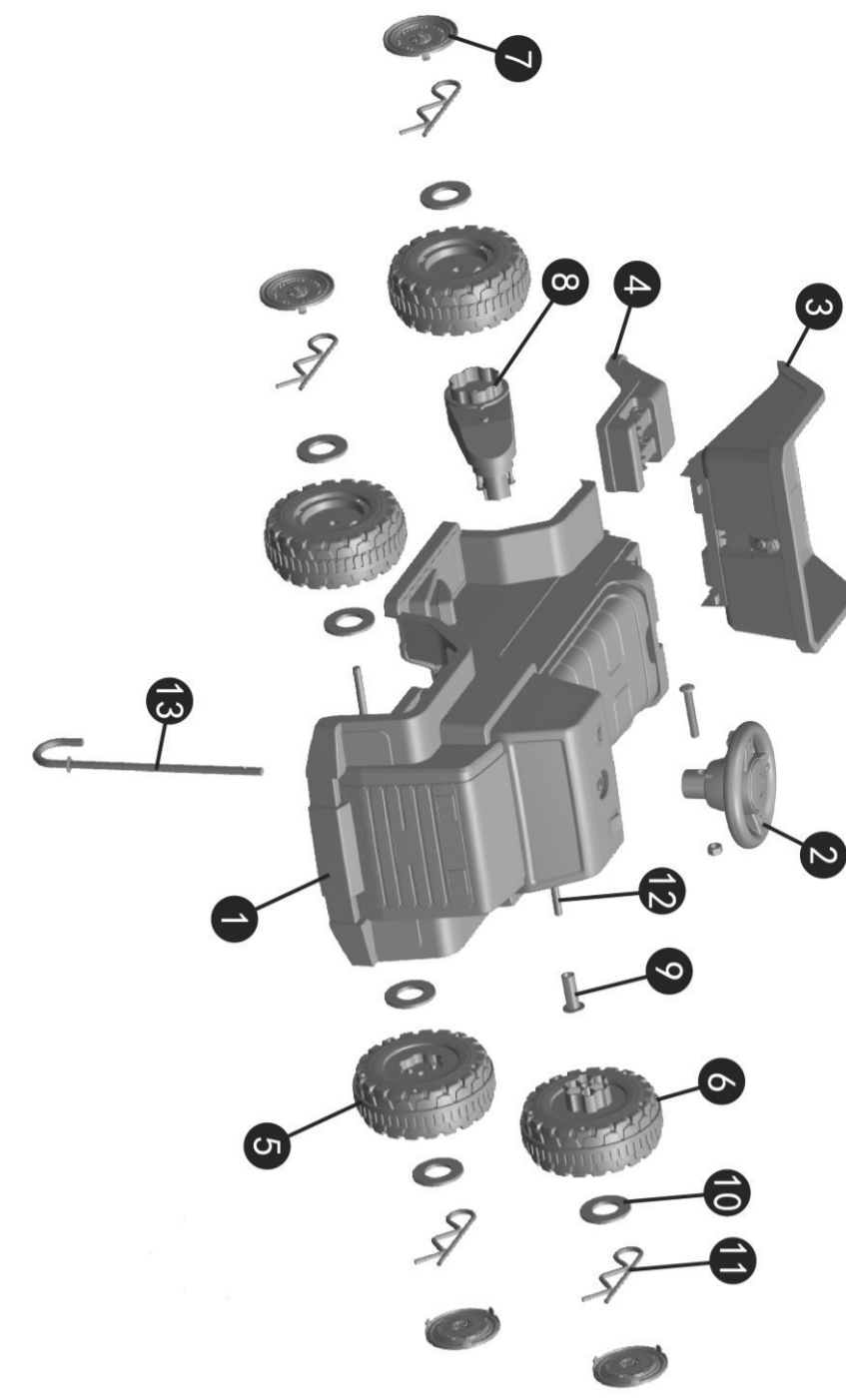
©2022 Caterpillar, CAT, CATERPILLAR, and their design and marks are registered trademarks of Caterpillar Inc. Ningbo Prince Toys Co., Ltd., a licensee of Caterpillar Inc.

I. SPECIFICATIONS.

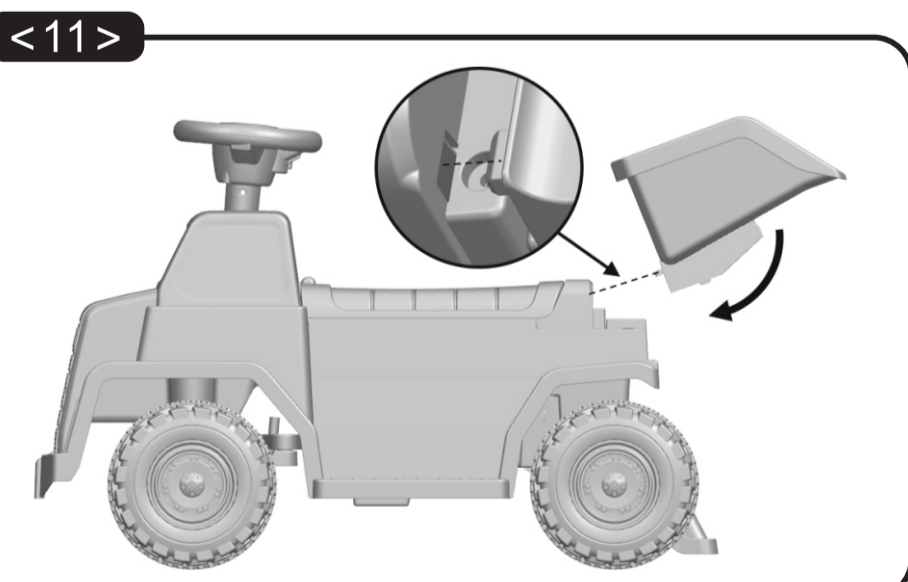
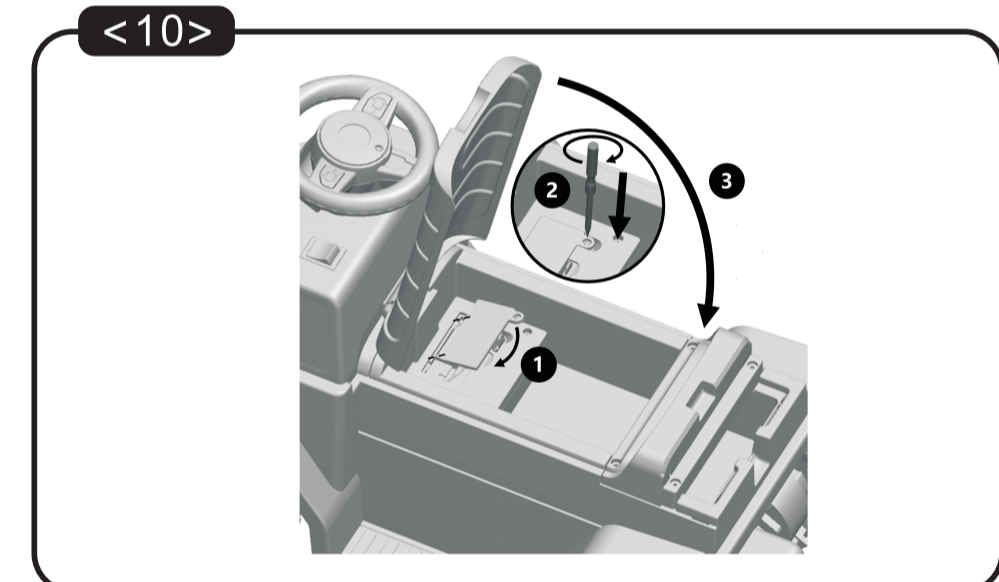
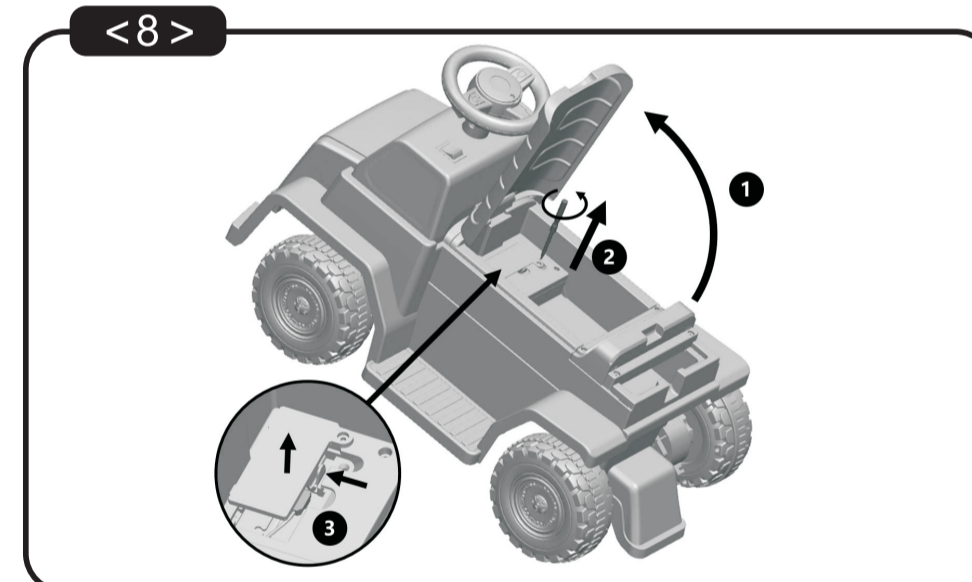
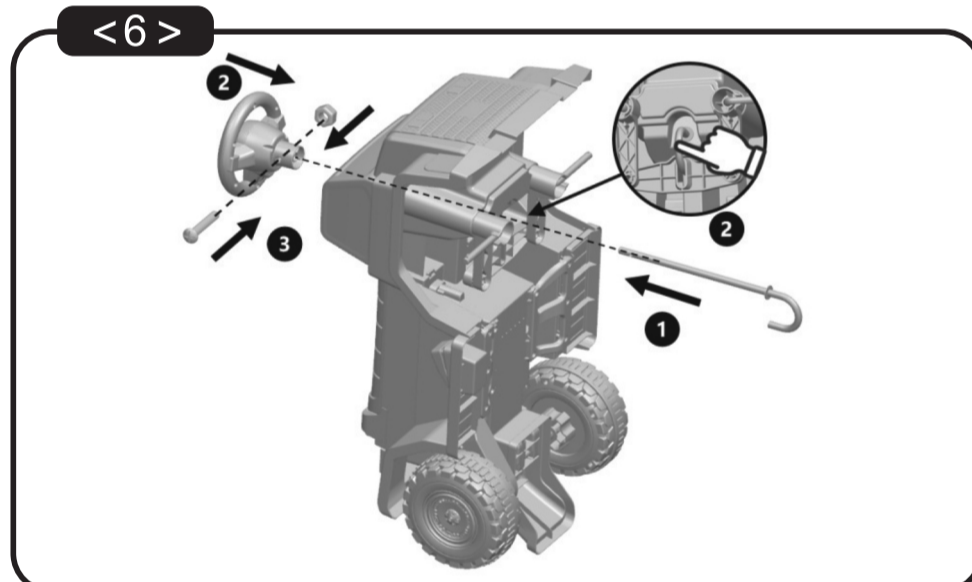
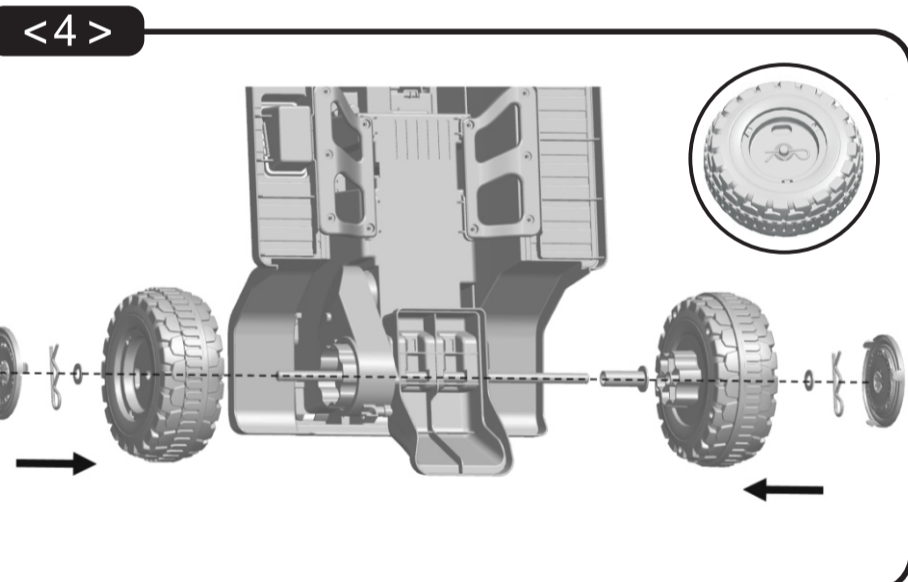
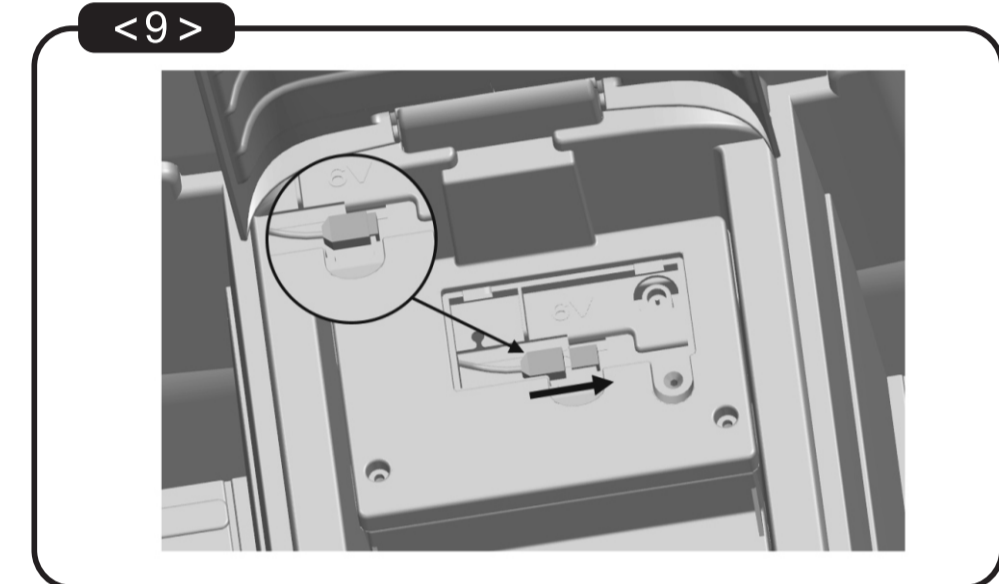
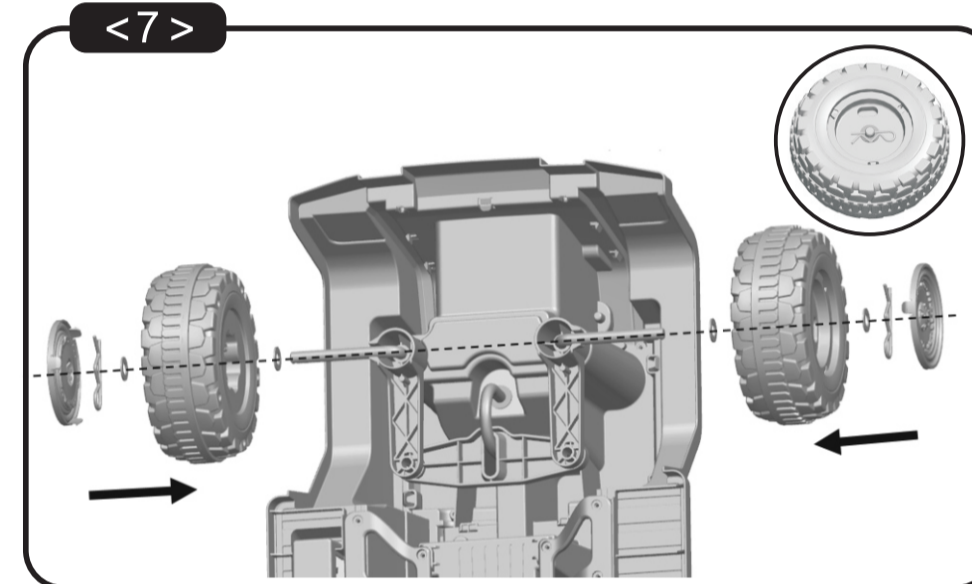
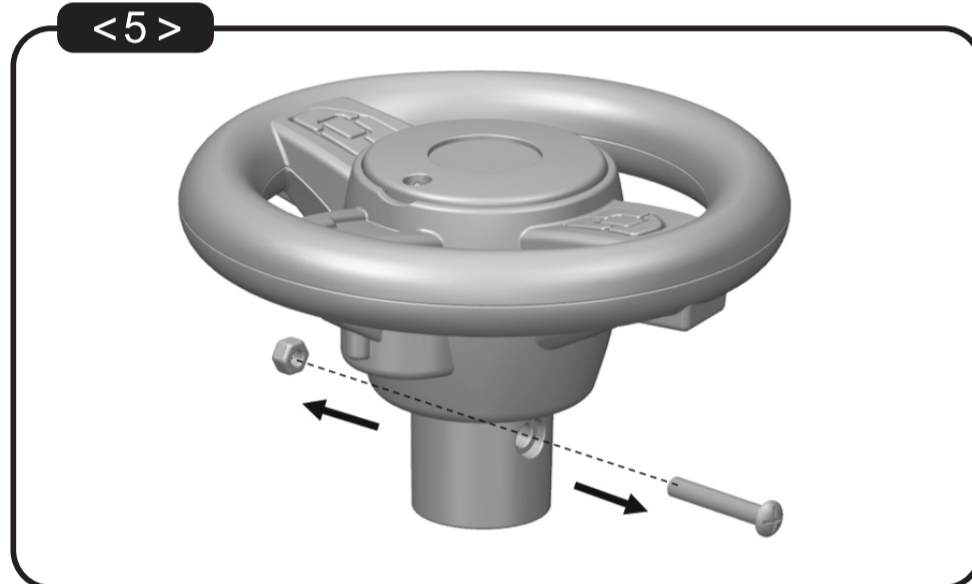
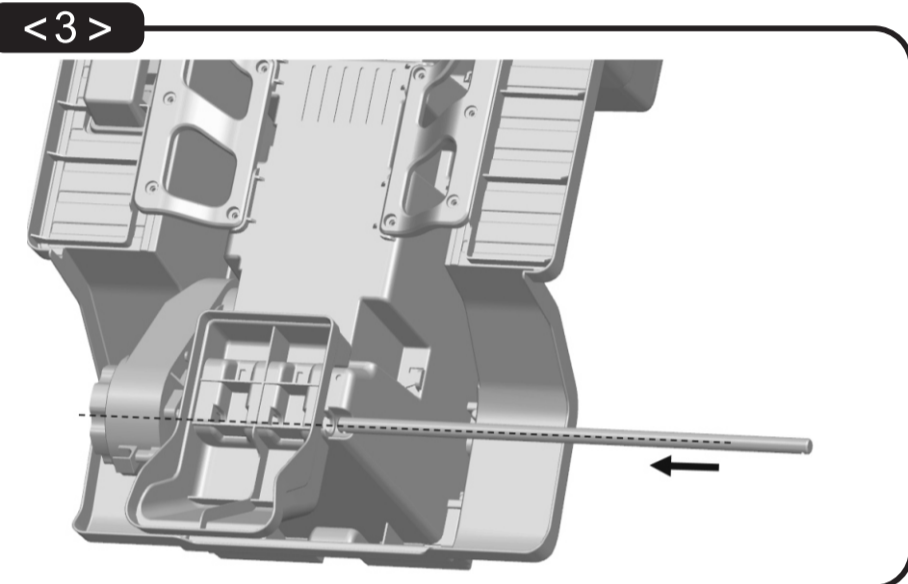
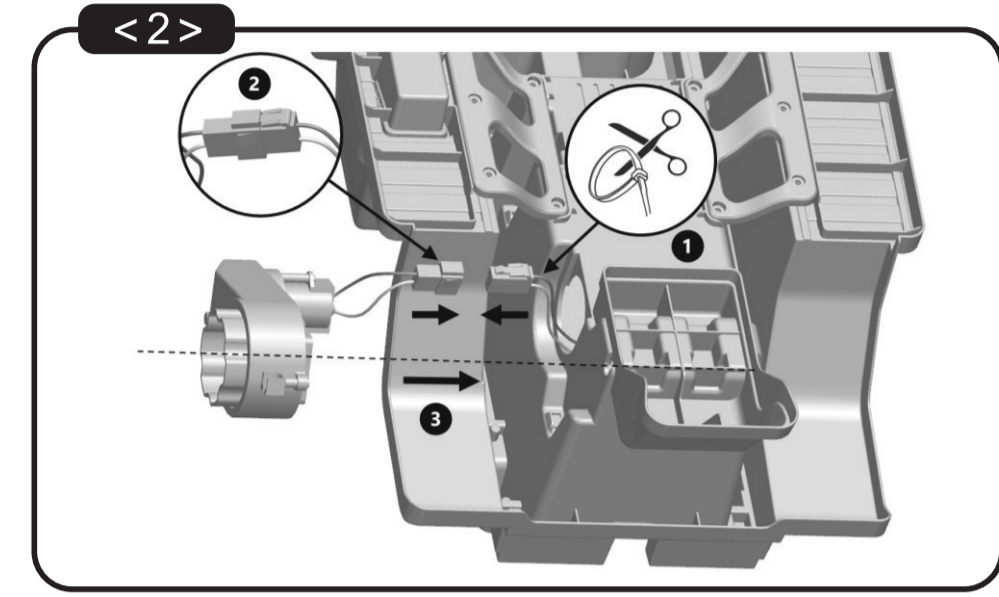
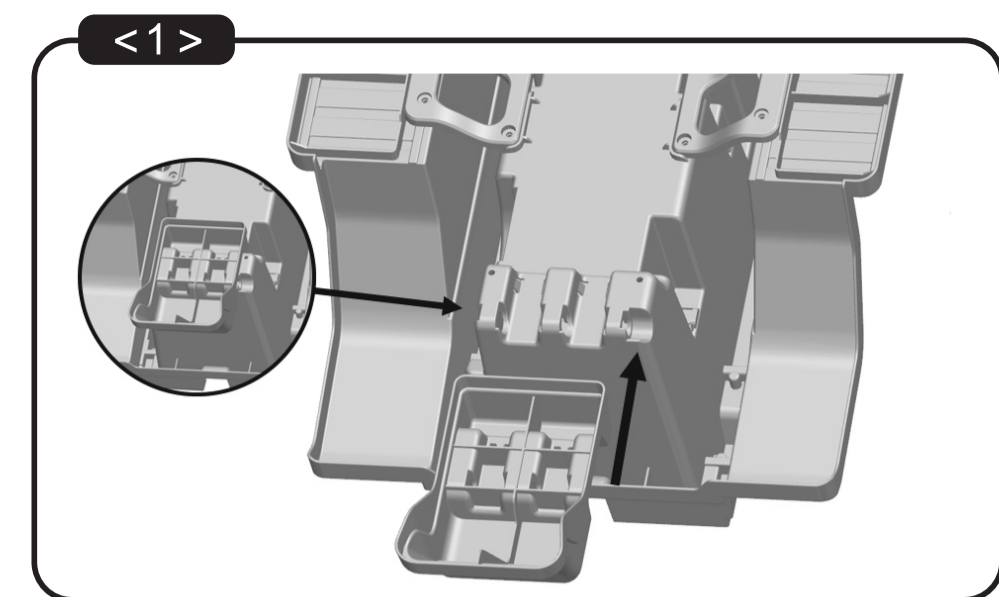
Suitable Ages	18-36 months
Product Dimensions	74.5X36X43.5cm/39.3X14.2X17.1inch
Maximum Weight	25 kgs /55lbs
Speed	2.7 km/h/1.68MPH
Motor	30W
Charger	Input: AC 220V/110V
	Output:DC6V/500mA
Battery	6V4A
Operating Ambient Temperature	0 - 40°C

II. Components List

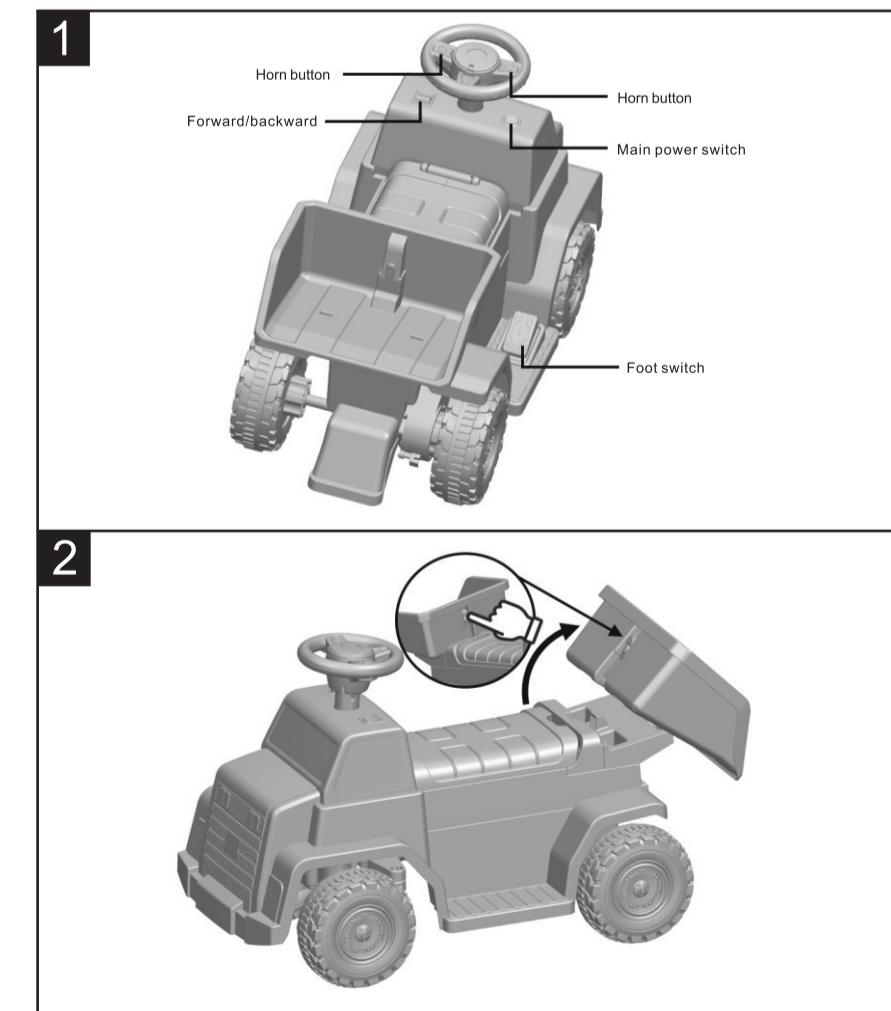
1.Body 1pc 	2.Steering wheel 1pc 	3.Dump box 1pc 	4.Anti-tumble shelf 1pc
5.Front wheel 2pcs 	6.Rear wheel 2pcs 	7.Wheel cover 4pcs 	8.Motor 1pc
9.Spacer 1pcs 	10.Washer 7pcs (1pc replacement) 	11.Cotter pin 5pcs (1pc replacement) 	12.Axle 1pc
13.J stick 1pc 	14.Charger 1pc 		



III. Assembly Instructions

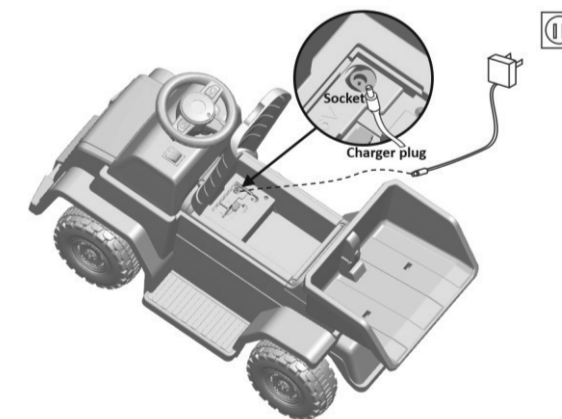


IV. Function and Operation



V. Battery and Charger Operating Guide

1. The charging socket is located at the rear.
2. The battery and charger which are provided or recommended can be used only.
3. Please do not play with the charger and battery because they are not toys.
4. The battery charging operation is carried out only by adults but not children.
5. The battery shall be fully charged before first use; the battery charging time shall be 9-10 hours and can not exceed 15 hours.
6. The lukewarm phenomenon of the charger and battery will occur during charging.



1. Battery warning:

- 1) When storing the car for long period of time, charge the battery until full then turn off the power switch. The battery should be recharged once every other month, or may otherwise have a shorter life span and risk deteriorating.
- 2) When installing the battery, it is important that the positive and negative poles are correctly connected. Short circuiting of positive and negative poles may result in damaging the toy.
- 3) Non-rechargeable batteries are not to be recharged.
- 4) Different types of batteries or new and used batteries are not to be mixed.
- 5) Batteries are to be inserted with the correct polarity.
- 6) Exhausted batteries are to be removed from the toy.
- 7) The supply terminals are not to be short-circuited.

2. Product warning:

- 1) There may be potential sharp edges, sharp points or small parts before the assembly of this product, and therefore this product shall be assembled by the adult.
 - 2) To avoid suffocation, keep the plastic bag away from children. Dispose of all bags immediately.
 - 3) The children shall correctly use the car under the adult guidance and supervision, otherwise they may make themselves or the others injured.
 - 4) The car is suitable for being driven on the flat ground and strictly prohibited to be driven in dangerous places such as public roads, slope and near swimming pool to prevent traffic and drowning accidents.
 - 5) Please put on shoes and protection equipment before using, putting on the helmet, safety gloves, knee pads, etc.
- Regularly check whether the battery, charger, wire, plug, casing and other parts are damaged; if the damage occurs, please cease to use this product until it has been repaired. This product is only allowed to be used by a child; the maximum load is 25kg, and therefore the overload is not allowed.
- Keep away from fire.
- The product instructions shall be kept as they contain important information.

3. WARNING:

WARNING

To reduce the risk of injury, adult supervision is required. Never use in roadways, near motor vehicles, on or near steep inclines or steps, swimming pools or other bodies of water; always wear shoes, and never allow more than 1 rider. Keep away from kids before assembled by adult, as there are potentially sharp edges, points, or small parts.

WARNING

Do not mix alkaline battery, standard (carbon-zinc) battery or rechargeable (nickel-cadmium) battery.

WARNING

Protective equipment should be worn. Not to be used in traffic.

BATTERY CHANGE

