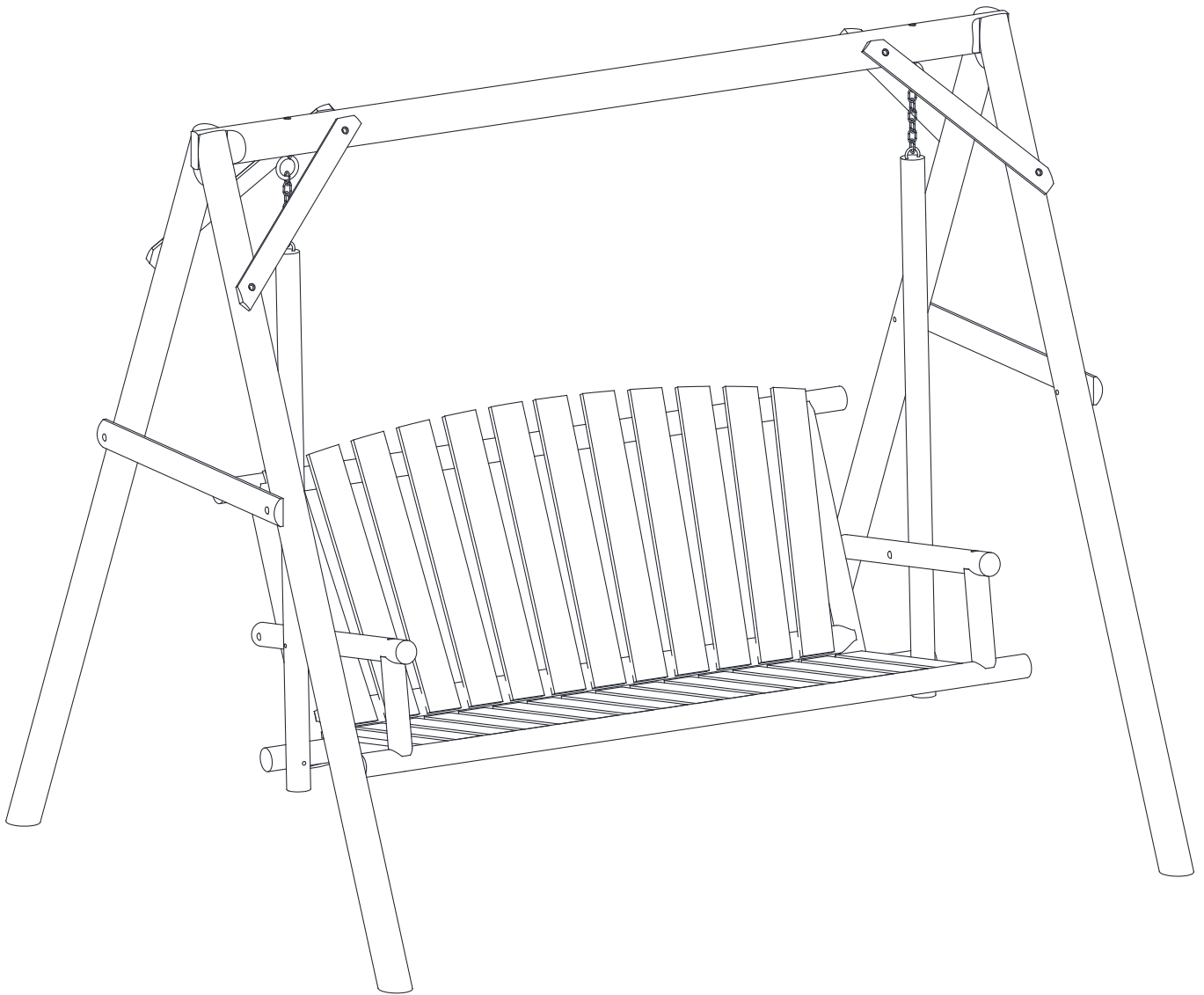




# *Rustic Cedar Swing*

## *Assembly instruction*



[www.veikous.com](http://www.veikous.com)



[customerservice@veikous.com](mailto:customerservice@veikous.com)

Please read the entire instruction carefully before assembly. It is **HIGHLY RECOMMENDED** familiarizing yourself with the parts and double check the appropriate parts for each step.

# STOP

**MISSING A PART?  
CALL US BEFORE GOING  
BACK TO THE STORE**

The store where you made your purchase  
Does not stock parts for this item.

If you have assembly questions or you are missing or  
have damaged parts, please call

1-858-324-1911

(Mon - Sun, 10:00 am to 7:00 pm EST)

you can also e-mail [customerservice@veikous.com](mailto:customerservice@veikous.com)

or visit [www.veikous.com](http://www.veikous.com)

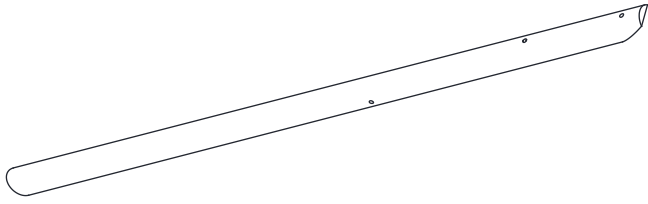
Please prefer email contact. Due to busy lines,  
there may be a wait for calls to be answered.

**Please have the following information ready when you contact us,  
so we can assist you promptly.**

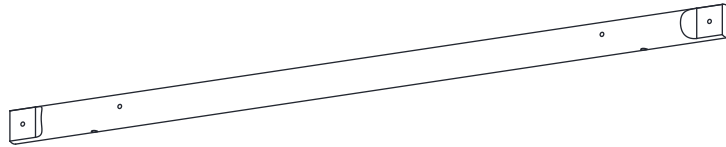
- Order number or PO number ( you can find the info on your invoice, receipt or platform account).
- The model number of the product ( printed on the package box ).
- Description of the part from the parts list.

- 
- Read entire assembly manual, paying special attention to the important tips and safety information .
  - Ensure there are no missing pieces by first separating and identifying all parts.
  - Make sure to check packing material for small parts that may have fallen out during shipment.
  - Structures are not intended for public use. The Company does not warranty any of its residential structures subjected to commercial use such as: Daycare, Preschool, Nursery School, Recreational Park, or any similar Commercial Application.
  - This manual contains helpful information concerning assembly preparation, installation procedure and required maintenance.
  - Always keep safety in mind as your structure is being built.
  - Keep these instructions for future reference.

# Parts List



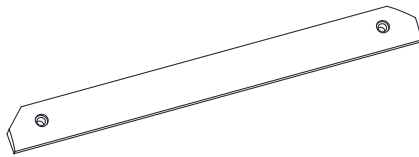
Leg(A) 4PCS



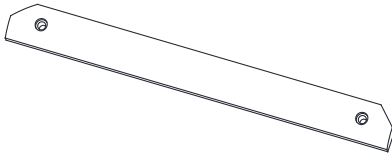
Top Support Beam(B) 1PC



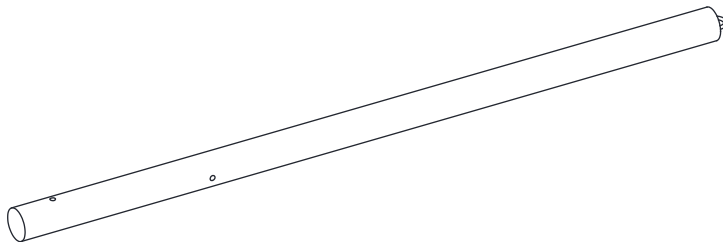
Side Rail(C) 2PCS



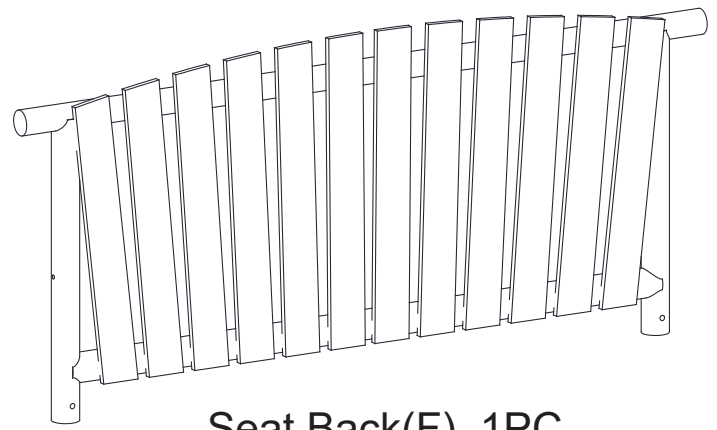
A-Frame Support Rail(D1) 2PCS



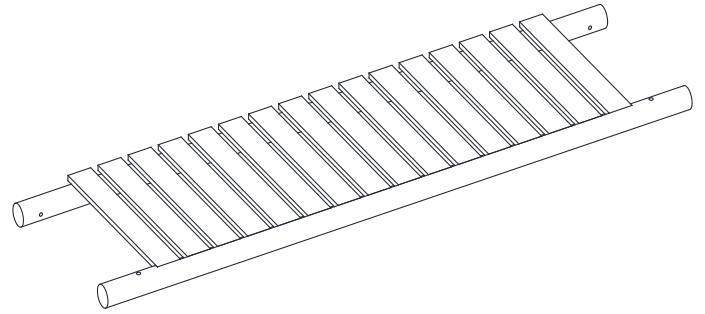
A-Frame Support Rail(D2) 2PCS



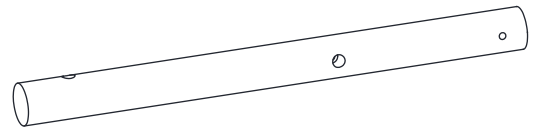
Swing Hanger Post With  
Hanger Hooks(E) 2PCS



Seat Back(F) 1PC



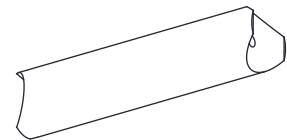
Seat Board(G) 1PC



Left Arm(H1) 1PC



Right Arm(H2) 1PC



Cross Side Log(I) 2PCS

# Hardware List



Bolt and Nut sets(J) 8PCS



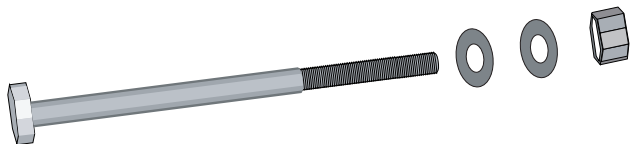
Bolt and Nut sets(K) 8PCS



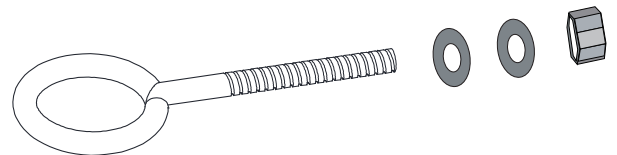
Bolt and Nut sets(L) 2PCS



Bolt and Nut sets(M) 2PCS



Bolt and Nut sets(N) 2PCS



Hanger Hooks(O) 2PCS



“S” Hook(P) 4PCS

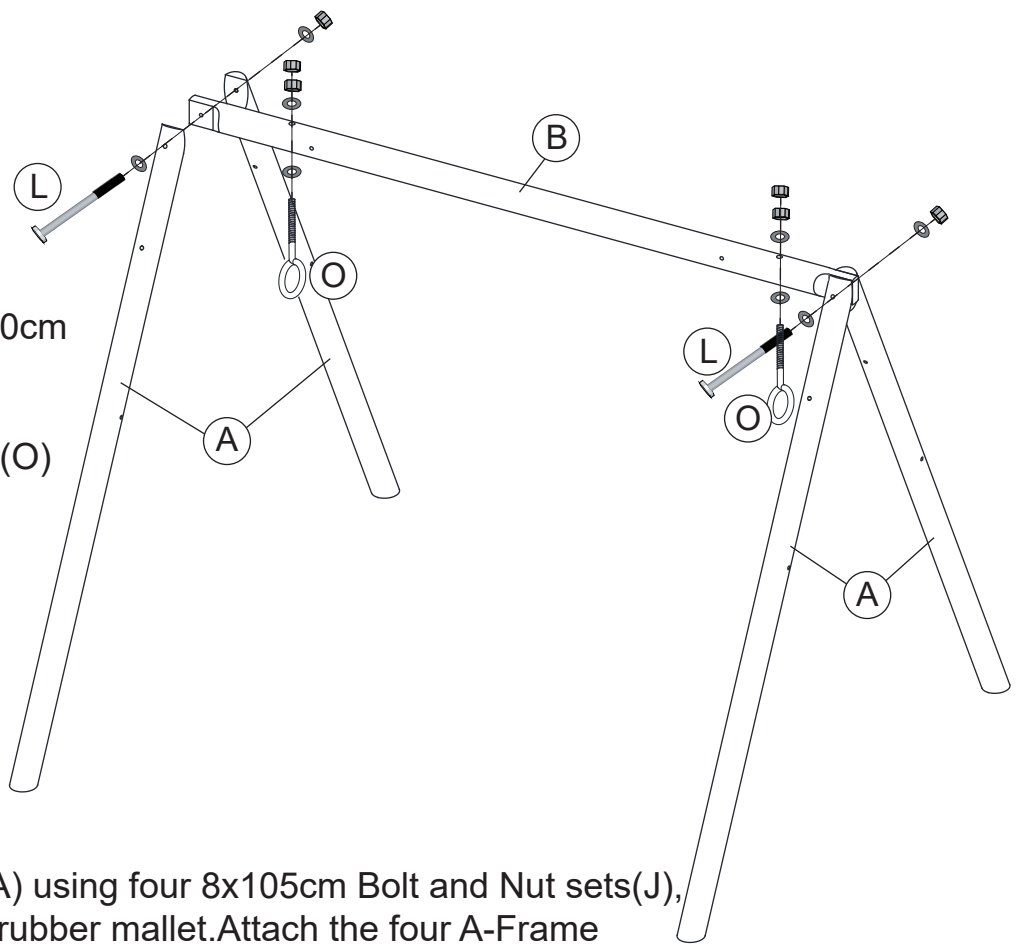
## Remarks

1. We highly recommend using a rubber mallet to assemble this product and a power drill to screw in screws.
2. We highly recommend wearing safety goggles during assembly.
3. Unpack all parts on clean soft surface to prevent scratching of wood.
4. Solid Wood such as this has knots, marks, and cracking which are normal and which should be considered an enhancement to the natural beauty of the product.

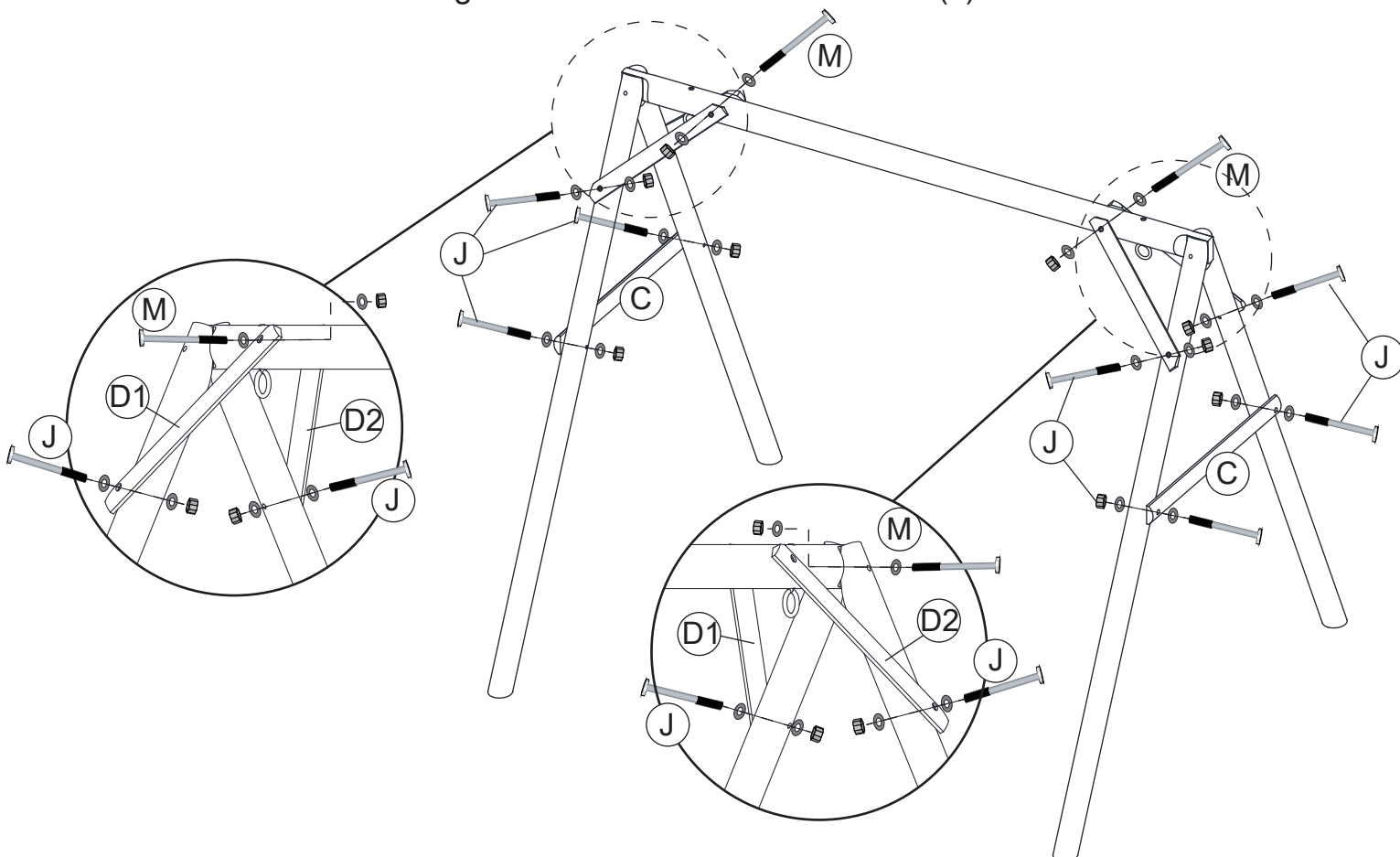
# Step 1

1. Attach Top Support Beam(B) to four Legs (A) using two 8x140cm Bolt and Nut sets(L).

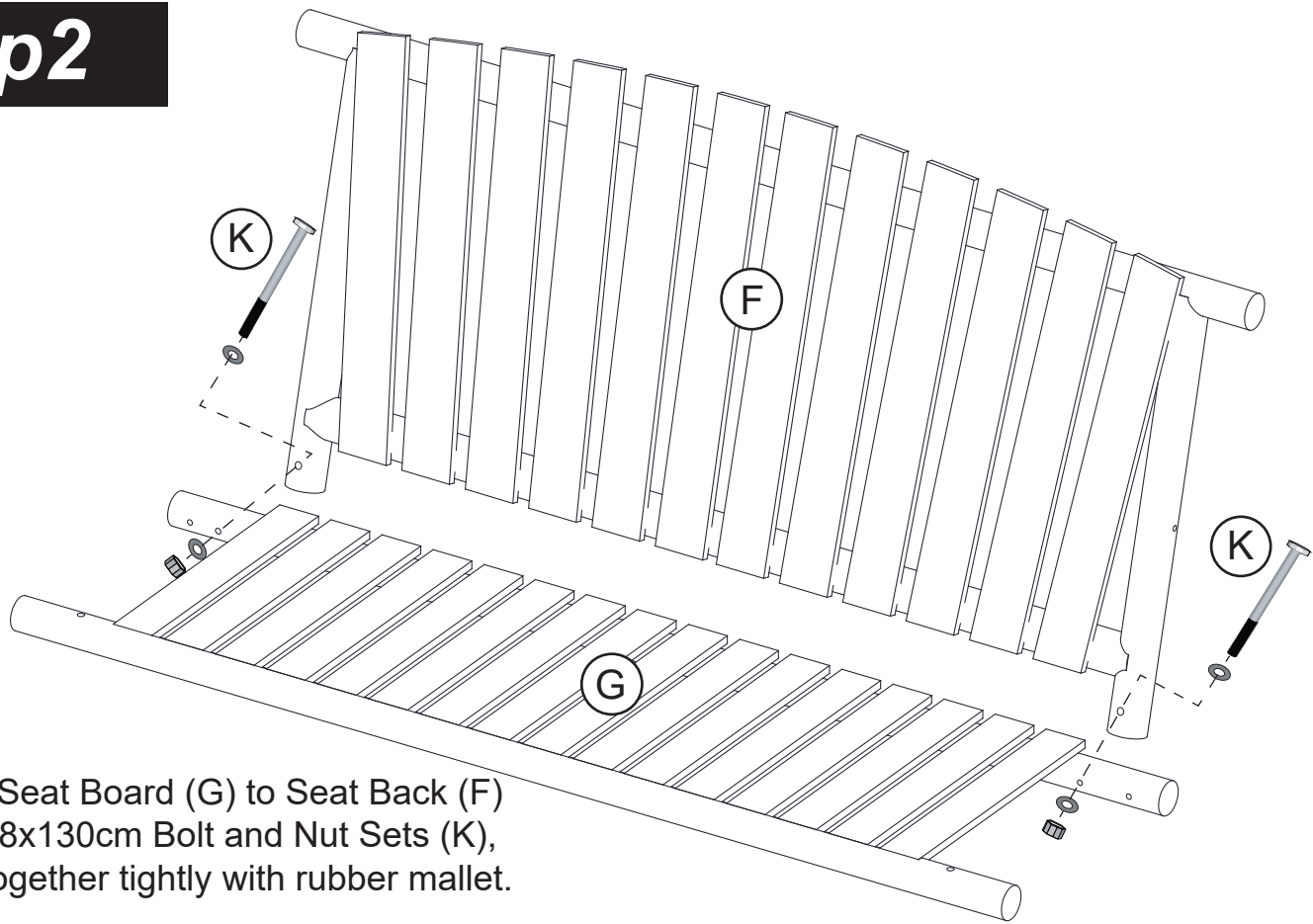
2. Attach the two Hanger Hooks(O) onto Top Support Beam(B).



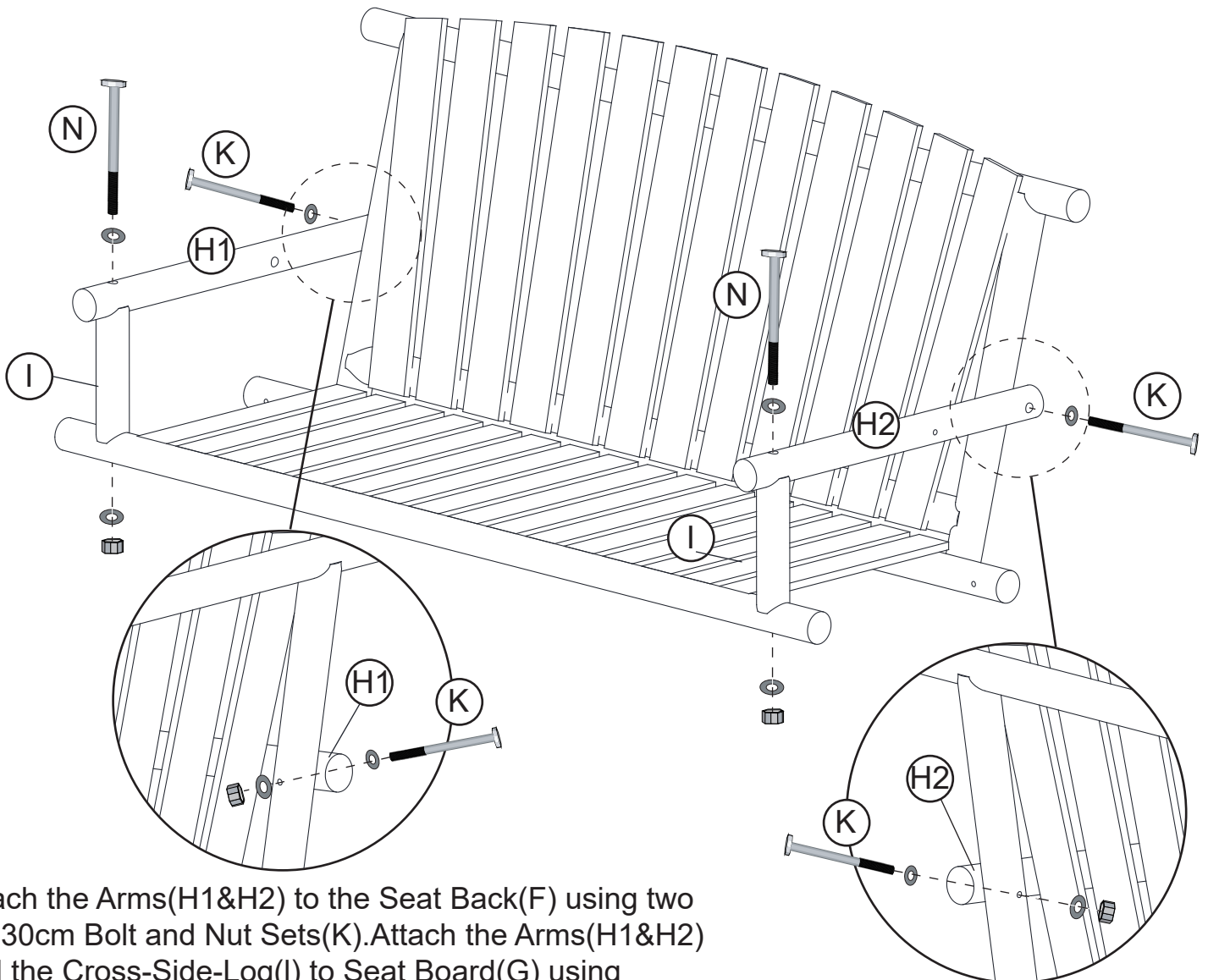
Attach the Side Rail(C) to Leg(A) using four 8x105cm Bolt and Nut sets(J), Hammer together tightly with a rubber mallet. Attach the four A-Frame Support Rail (D1 & D2) to Top Support Beam(B) using two 8x155cm Bolt and Nut Set(M). Allow the A-Frame Support Rail to hang down freely while attaching the 8x155cm bolt and nut set(M). Do not screw in too tightly. Push each of the four A-Frame Support Rail(D1 & D2) to outside of the A-Frame Side Support as shown above. Line up the holes on lower A-Frame Support Rail(D1 & D2) to the holes of A-Frame Side Support. Attach the A-Frame Support Rail to the A-Frame Sides using four 8x105cm Bolt and Nut Sets(J).



# Step 2



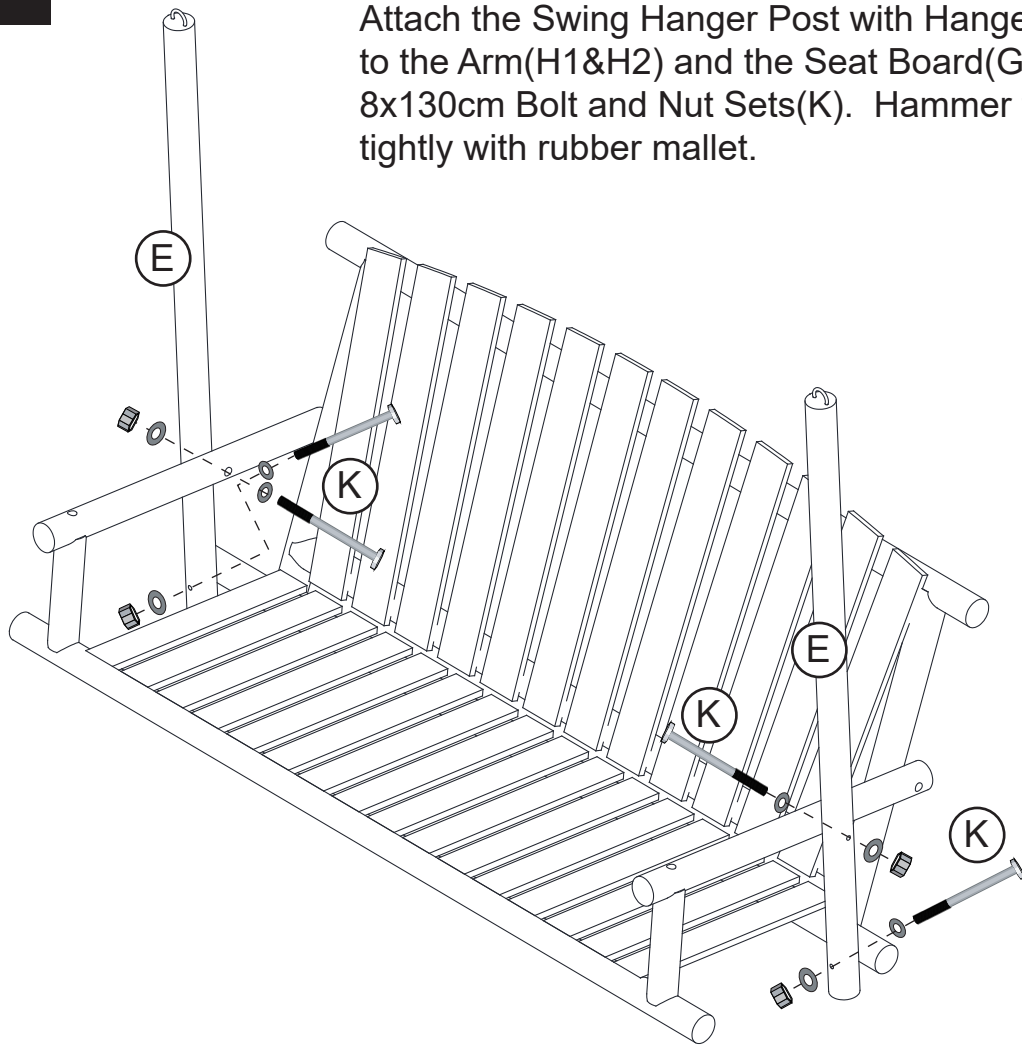
Insert the Seat Board (G) to Seat Back (F) using two 8x130cm Bolt and Nut Sets (K), hammer together tightly with rubber mallet.



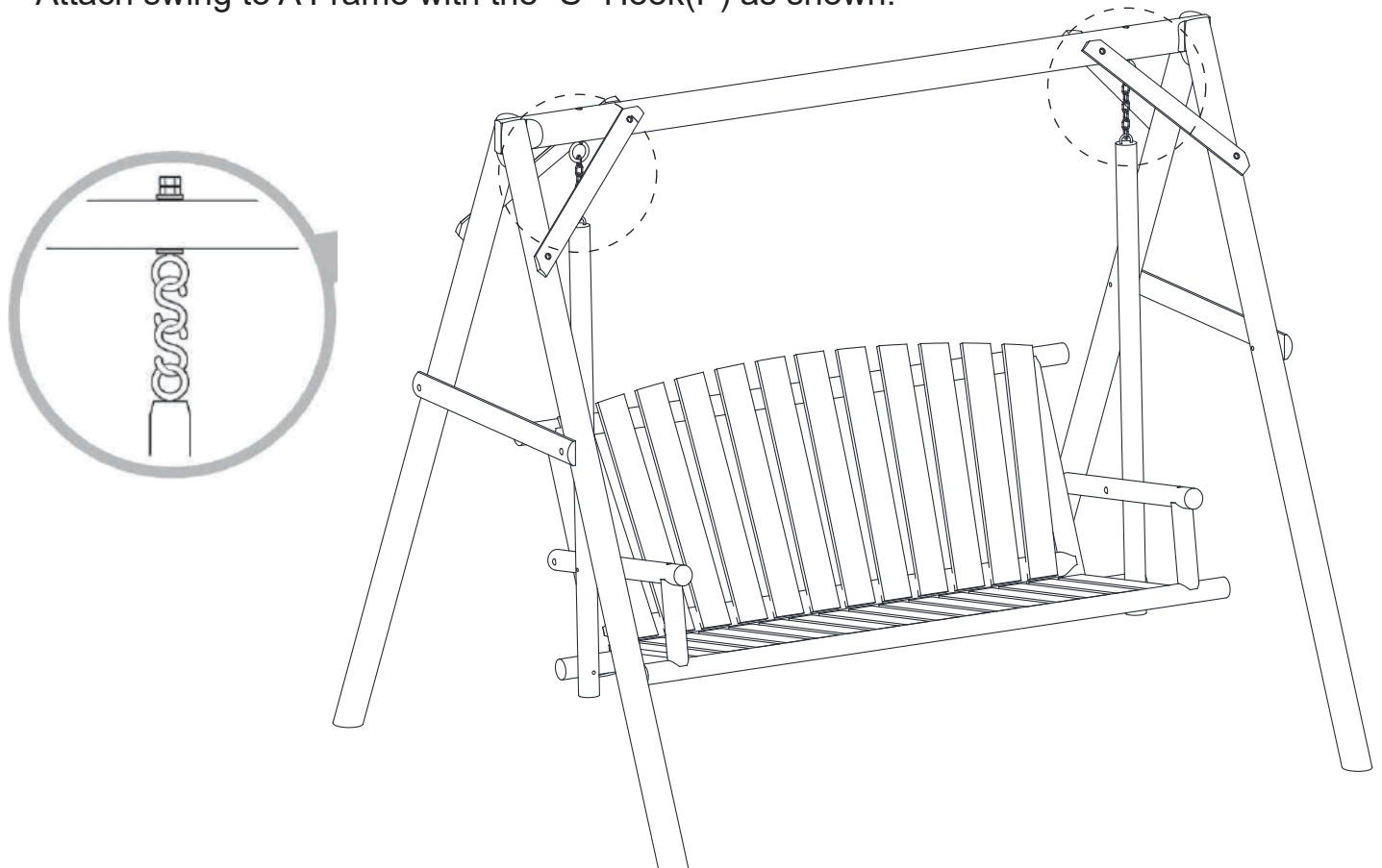
Attach the Arms(H1&H2) to the Seat Back(F) using two 8x130cm Bolt and Nut Sets(K). Attach the Arms(H1&H2) and the Cross-Side-Log(I) to Seat Board(G) using two 10x280cm Bolt and Nut Sets(N) Hammer together tightly with rubber mallet.

# Step 3

Attach the Swing Hanger Post with Hanger Hooks(E) to the Arm(H1&H2) and the Seat Board(G) using four 8x130cm Bolt and Nut Sets(K). Hammer together tightly with rubber mallet.



Attach swing to A Frame with the "S" Hook(P) as shown.



*Enjoy Your Product*

