


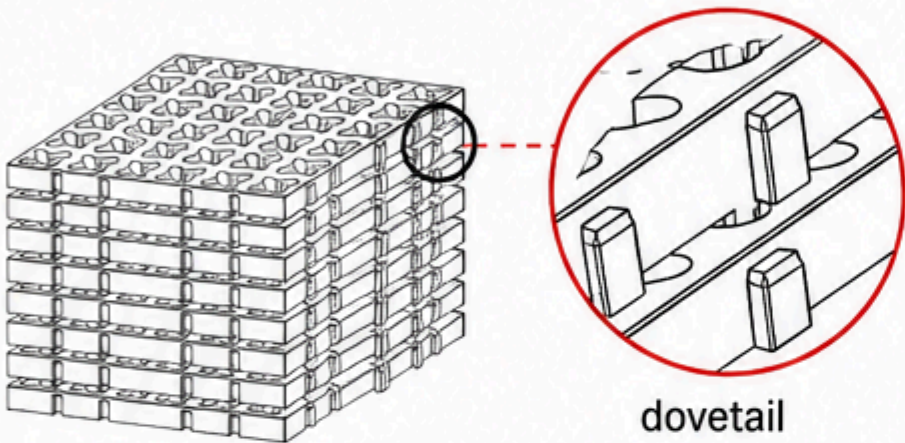
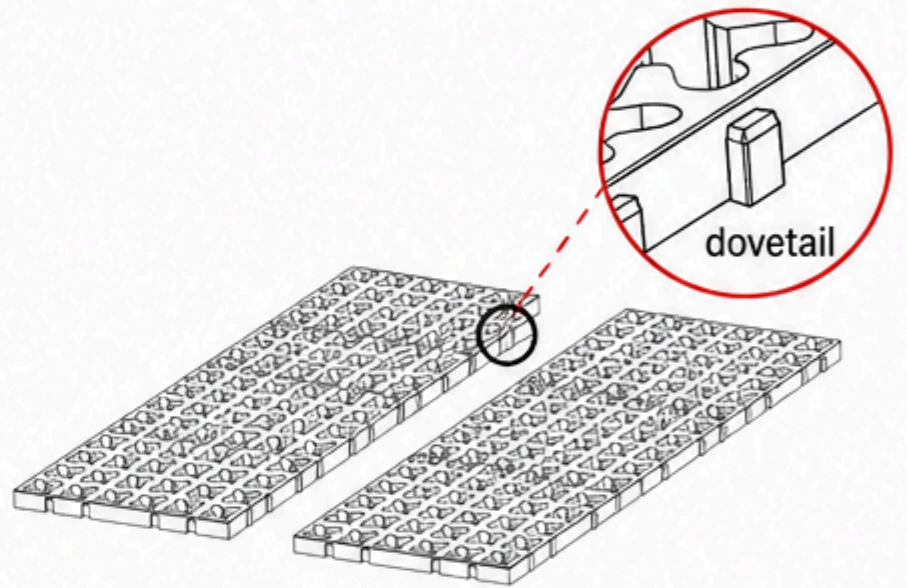
 LIFETIME WARRANTY	 30 DAY RETURNS	 MADE IN USA	 GLOBAL SHIPPING
--	---	--	--

ASSEMBLY INSTRUCTIONS

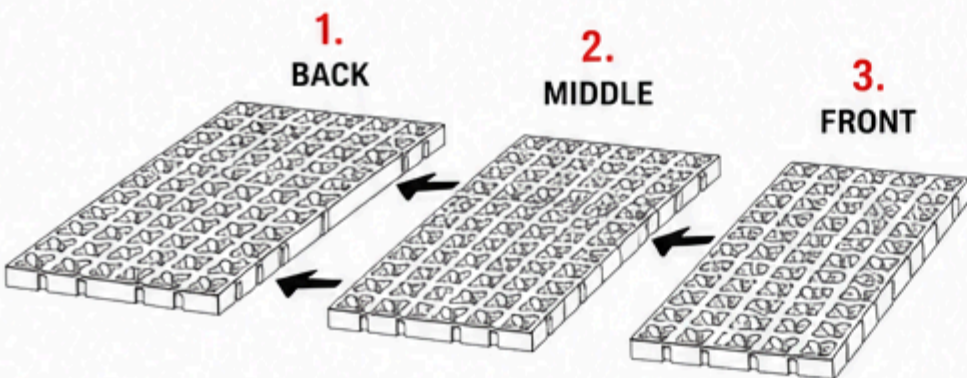
1 STEP 1
Stack all panels and parts with the male dovetails facing the same direction.



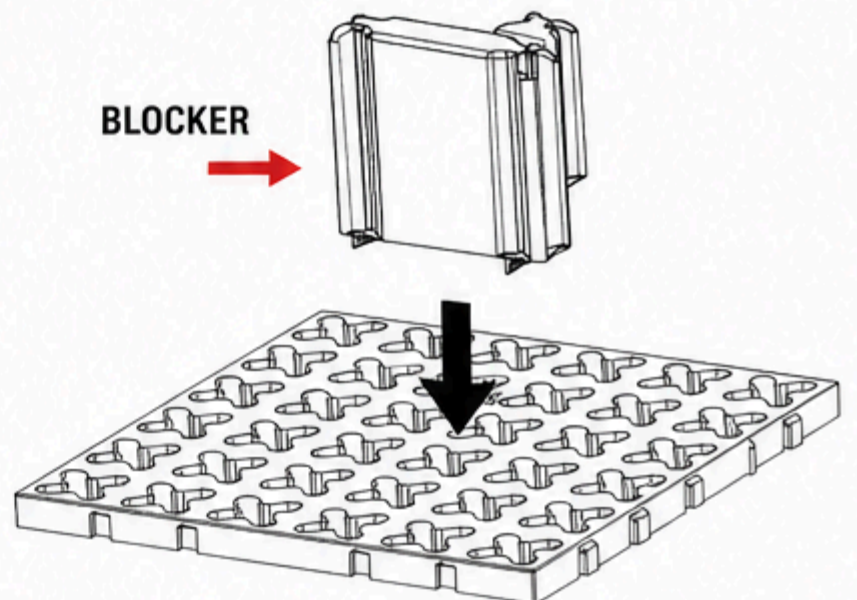
2 STEP 2
Assemble panels on the ground or on your tailgate going left to right and keeping the male dovetails facing down and to the left.



3 STEP 3
Assemble from back to front, snapping the rows of panels together. Ensure all rows and panels are secured together.



4 STEP 4
Insert blockers as you need by lining up the blocker pegs with the panels and press firmly into place.



CALL US AT
[405] 213-1436



EMAIL US AT
hello@tmat.com



TMAT PRODUCTS, LLC
1233 E Highline Ln
Mustang, OK 73064