



LITTER  
TWIST'R®  
#3308



# Litter TWIST'R®

## INSTRUCTIONS

## THANK YOU!

Dear Cat Lover,

I am so happy you have decided to buy our LITTER TWIST'R®!

I know what its like to come home to your cat buddies but get hit by that unmistakable odor! Over the years, I have owned a lot of cats and I love them dearly ...except for that smell! You know what it is... it stays with you until you can't smell it anymore...but your friends sure can.

But, with your new LITTER TWIST'R®, those odors will be gone for good! Just follow the simple instructions and your nose and your friends' noses will thank you!

We love to get good comments and reviews... they help us spread the word to help other folks breathe easier. So if you feel inclined to post a review, we sure appreciate it! And if you have any problems, let me know directly: [tmcconnell@redrocketpets.com](mailto:tmcconnell@redrocketpets.com). Finding and solving problems is how we make our products better!

Thanks for your support!

All the best

*TOM MCCONNELL  
CEO AND FOUNDER  
RED ROCKET LLC*

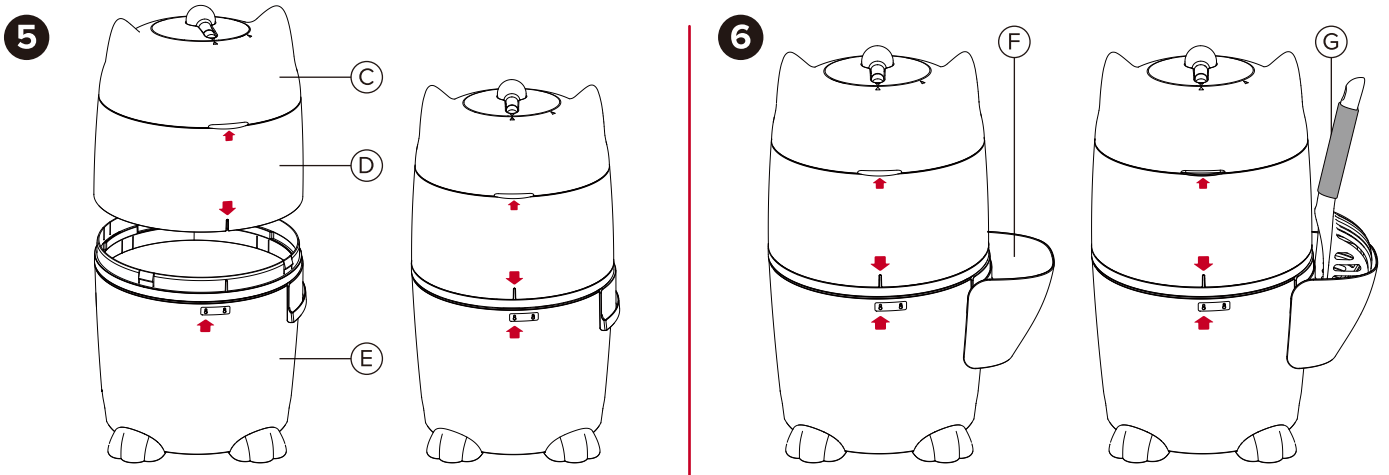
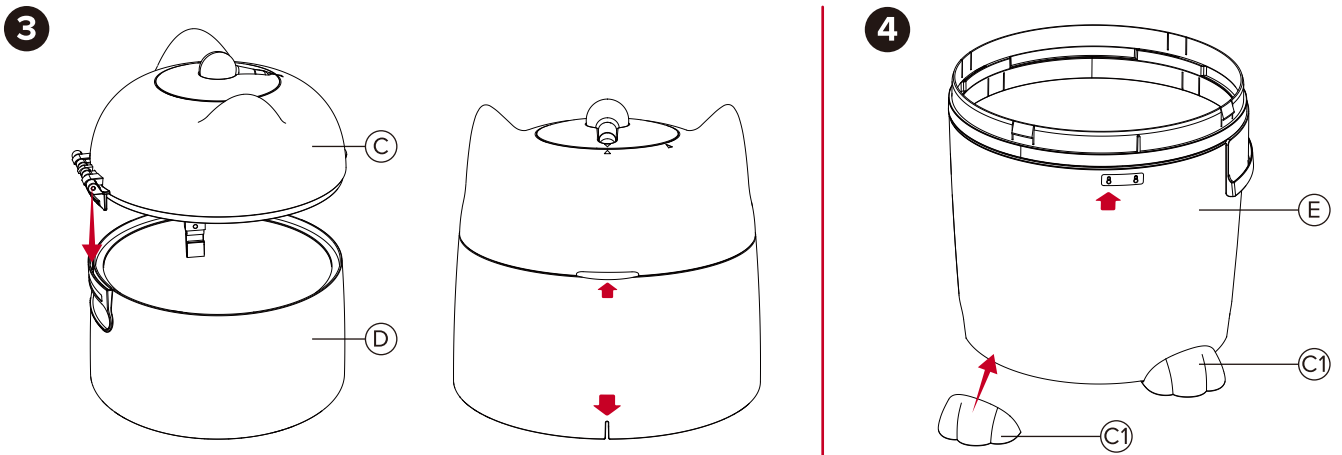
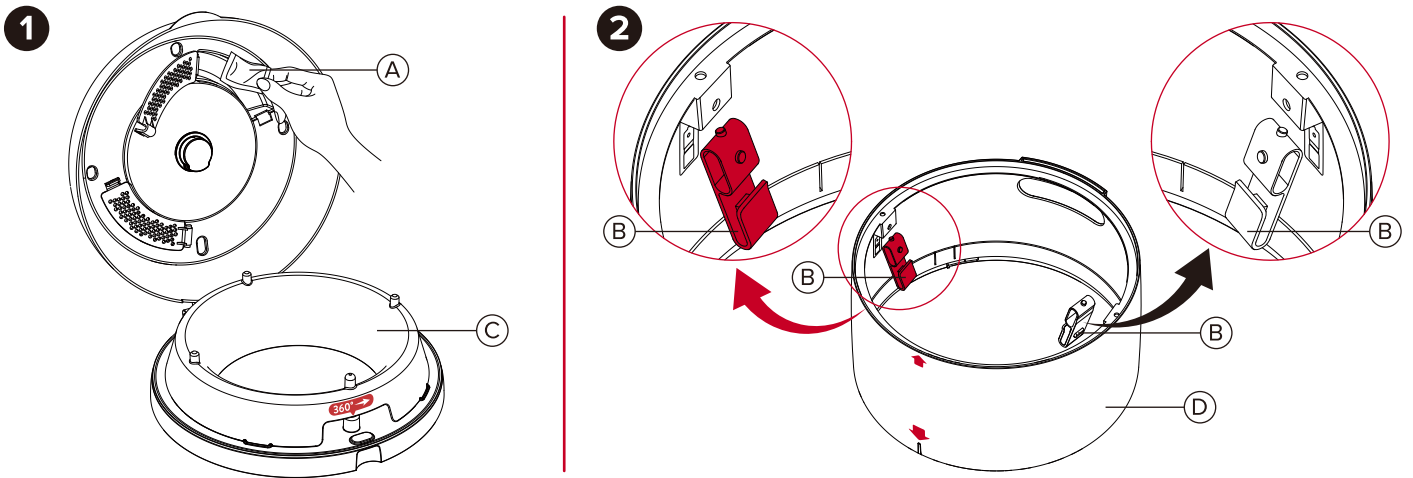
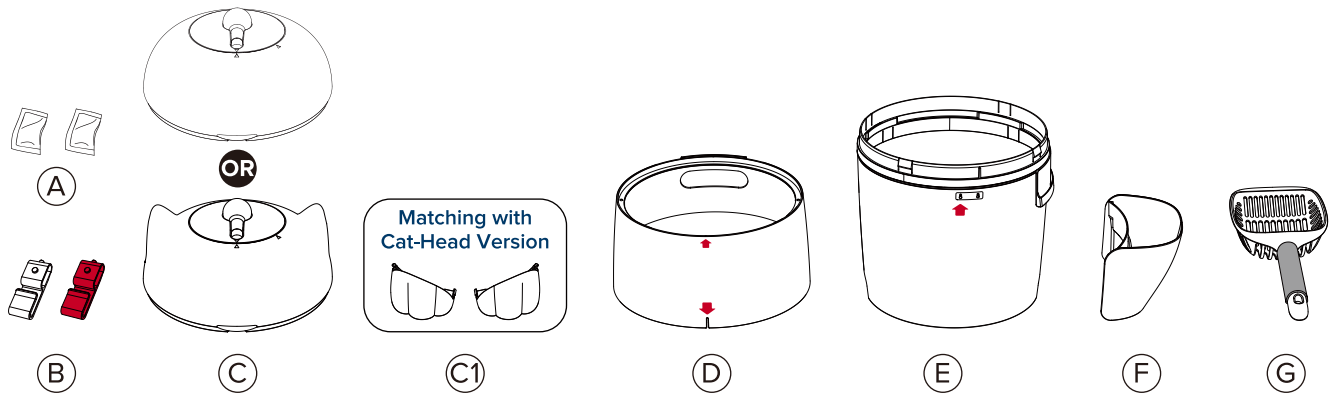


REFILL BAGS #3337  
\*Bag color may vary from photo



PURRR™  
LITTER  
TWIST'R®  
#3309

# ASSEMBLY INSTRUCTIONS



# INSTALLING A BAG



# REMOVING A BAG



OR

**WE DON'T SELL A MACHINE, WE SELL FRESH AIR.™**



**WWW.REDROCKETPETS.COM**



**SCAN &  
WATCH**



**RED ROCKET LLC**

9080 West Rosada Way  
Las Vegas, NV 89149 U.S.A

**RED ROCKET EUROPE**

Scheldeweg 3 3144ES Maassluis  
The Netherlands

**RED ROCKET ASIA**

No.2052,Second floor,  
No.378-386 building South Urumqi Road,  
Xuhui District,Shanghai,200031 China

**RED ROCKET UK**

3 Sheaf St Leeds LS10 1HD England

---

## **PATENT INFORMATION**

TWIST'R® IS A REGISTERED TRADEMARK OF 1316 LLC

USA PATENTS:9,434,537;9,555,963;10,486,900;9,745,125;9,969,550;D792,964;D838,606;10,737,879 B2 EP PATENTS:3,194,274;006,590,253-0001

OTHER USA AND FOREIGN PATENTS ISSUED AND PENDING. PLEASE REFER TO REDROCKETPETS.COM FOR FURTHER PATENT INFORMATION. ALL RIGHTS RESERVED

©RED ROCKET LLC 2022