



KITTY TWIST'R® Plus

INSTRUCTIONS | INSTRUCCIONES



SCAN & WATCH



FIRST!

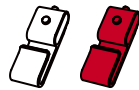
please scan the QR code or go to www.redrocketpets.com/KTP assembly to see how easy it is to assemble and use your **new KITTY TWIST'R® PLUS!**

CONTENTS



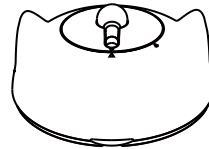
A

Charcoal Sachets
Sachets de charbon de bois
Bolsitas de carbón



B

Hooks
Crochets
Manos



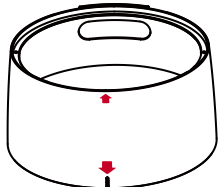
C

Lid
Couvercle
Tapa



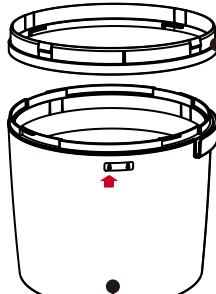
D

Paws
Pattes
patas



E

Upper Liner
Doublure supérieure
Forro superior



G

Lower Liner
Doublure inférieure
Forro inferior

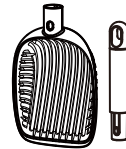
F

Middle Ring
Anneau du milieu
Anillo medio



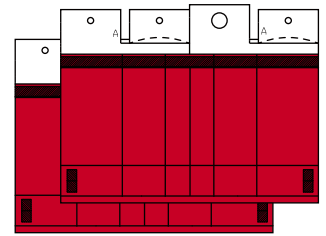
H

Scoop Bin
Bac à cuillères
Papelera



I

Scoop
Scoop
Cucharón



J

Refill Bags
Sacs de recharge
Bolsas de recarga

THANK YOU!

Dear Cat Lover,

I am so happy you have decided to buy our KITTY TWIST'R® PLUS!

I know what its like to come home to your cat buddies but get hit by that unmistakable odor! Over the years, I have owned a lot of cats and I love them dearly ...except for that smell! You know what it is... it stays with you until you can't smell it anymore...but your friends sure can.

But, with your new KITTY TWIST'R® PLUS, those odors will be gone for good! Just follow the simple instructions and your nose and your friends' noses will thank you!

We love to get good comments and reviews... they help us spread the word to help other folks breathe easier. So if you feel inclined to post a review, we sure appreciate it! And if you have any problems, let me know directly: tmconnell@redrocketpets.com. Finding and solving problems is how we make our products better!

Thanks for your support!

All the best

TOM MCCONNELL
CEO AND FOUNDER
RED ROCKET LLC



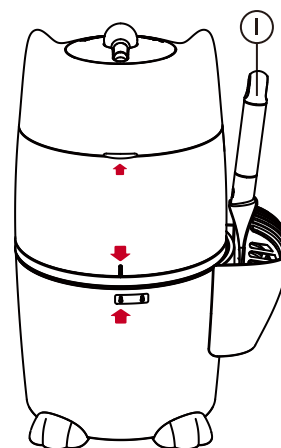
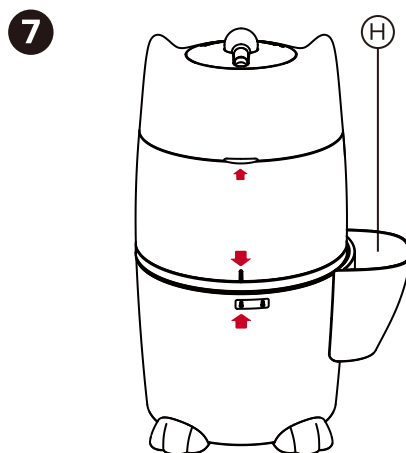
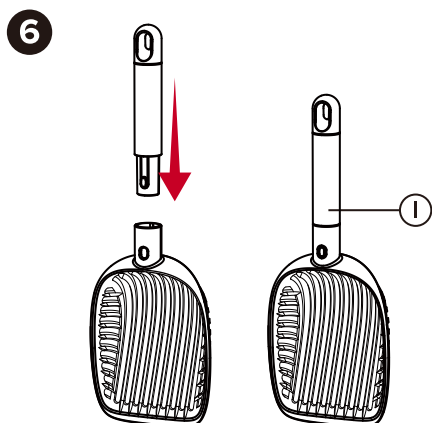
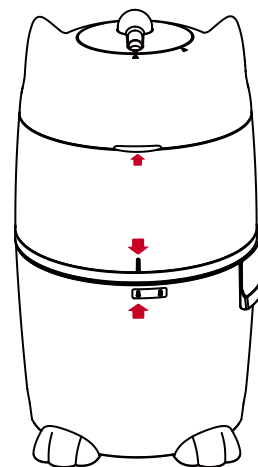
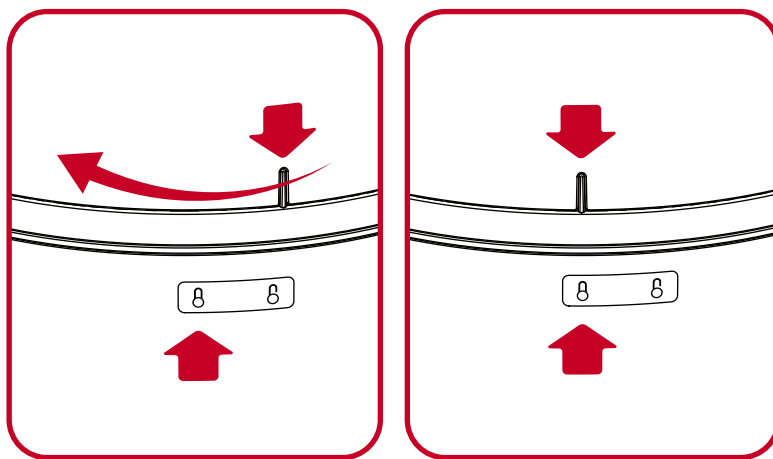
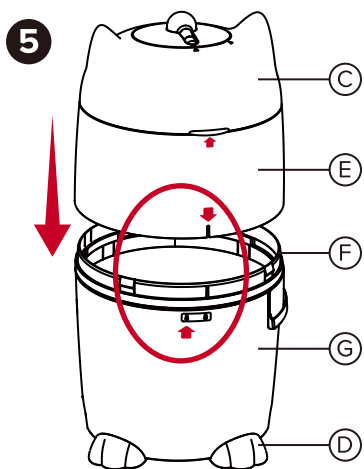
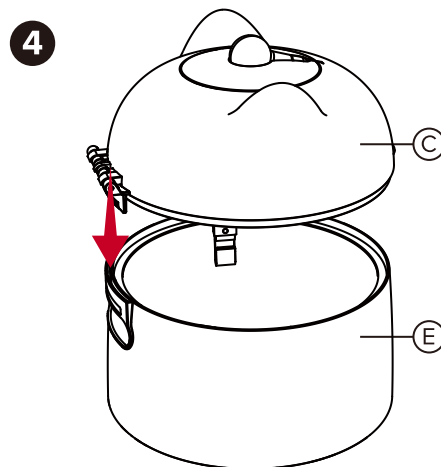
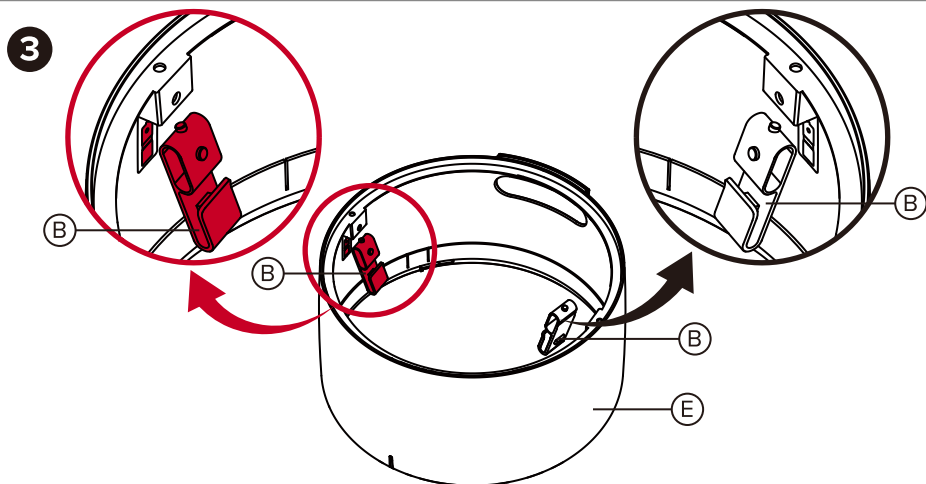
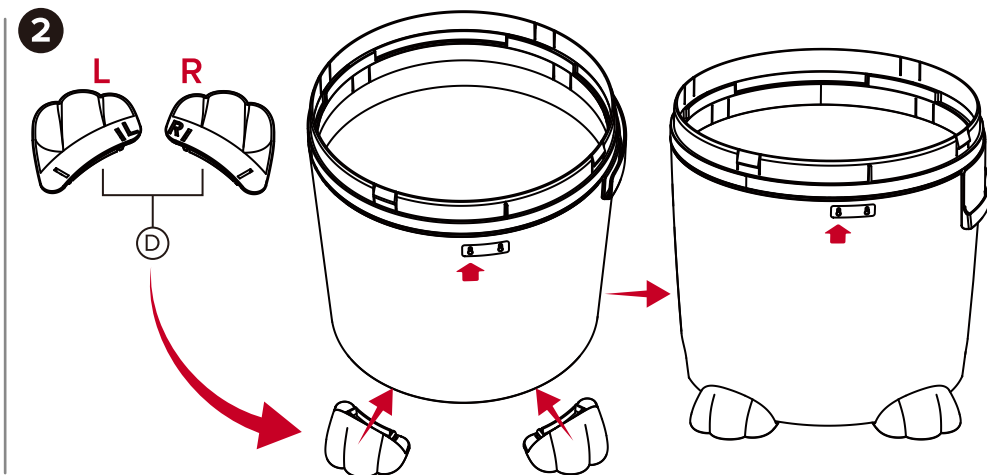
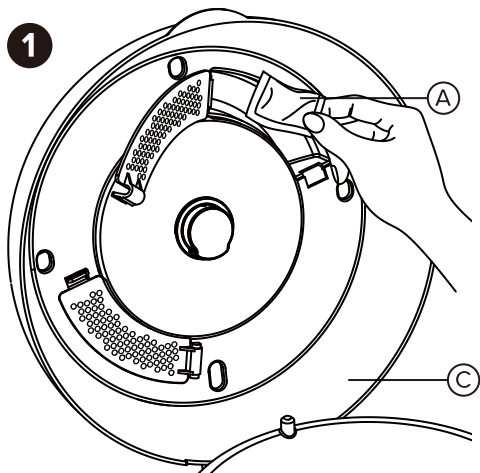
REFILL BAGS

*Bag color may vary from photo

*La couleur du sac peut être différente de celle de la photo

*Color de bolsa puede variar al color de la imagen

WWW.REDROCKETPETS.COM



INSTALLING A BAG | INSTALLER UN SAC | INSTALACIÓN DE UNA BOLSA



REMOVING A BAG | RETIRER UN SAC | QUITAR UNA BOLSA



8.a Removes from the top
Supprime par le haut
Se quita desde arriba

8.b Removes from the middle
S'enlève du milieu
Se quita del medio



OR



RED ROCKET LLC
9080 West Rosada Way
Las Vegas, NV 89149 U.S.A

RED ROCKET EUROPE
Scheldeweg 3 3144ES Maassluis The Netherlands

RED ROCKET ASIA
No.2052,Second floor,
No.378-386 building South Urumqi Road,
Xuhui District,Shanghai,200031 China

RED ROCKET UK
3 Sheaf St Leeds LS10 1HD England

PATENT INFORMATION

TWIST'R® IS A REGISTERED TRADEMARK OF 1316 LLC
USA PATENTS:9,434,537;9,555,963;10,486,900;9,745,125;9,969,550;D792,964;D838,606;10,737,879 B2;11,858,733 B2 EP PATENTS:3,194,274;006,590,253-0001
OTHER USA AND FOREIGN PATENTS ISSUED AND PENDING. PLEASE REFER TO REDROCKETPETS.COM
FOR FURTHER PATENT INFORMATION. ALL RIGHTS RESERVED
©RED ROCKET LLC 2022