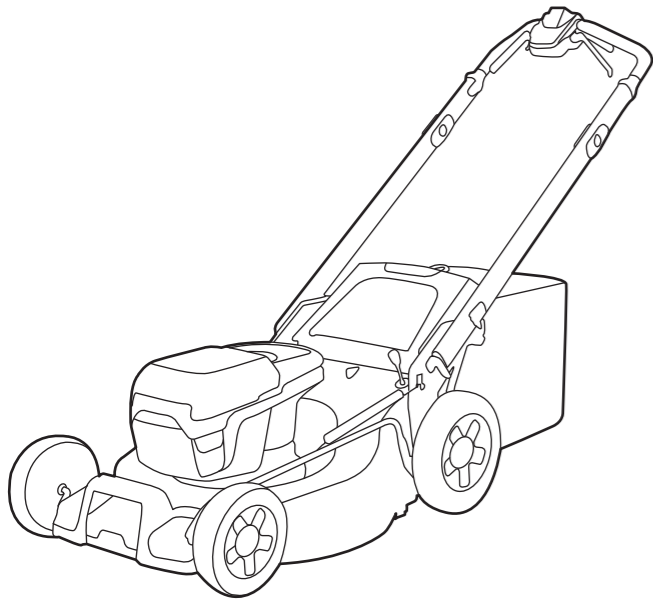


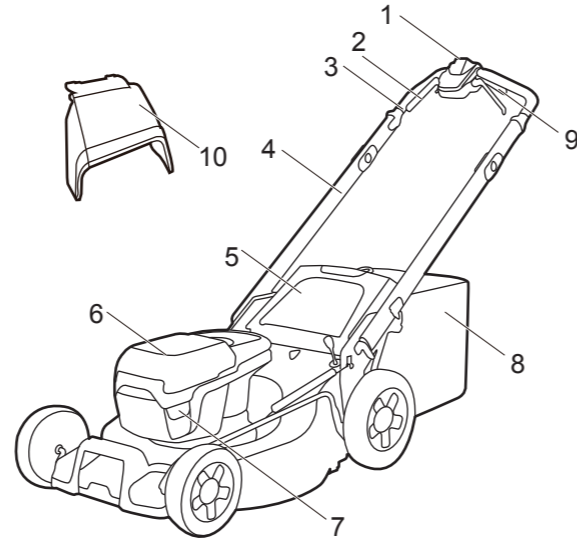
## LAWN MOWER



Depending on the model purchased, packaging will contain different accessories and parts. Refer to the package for more details.

## KNOW YOUR PRODUCT

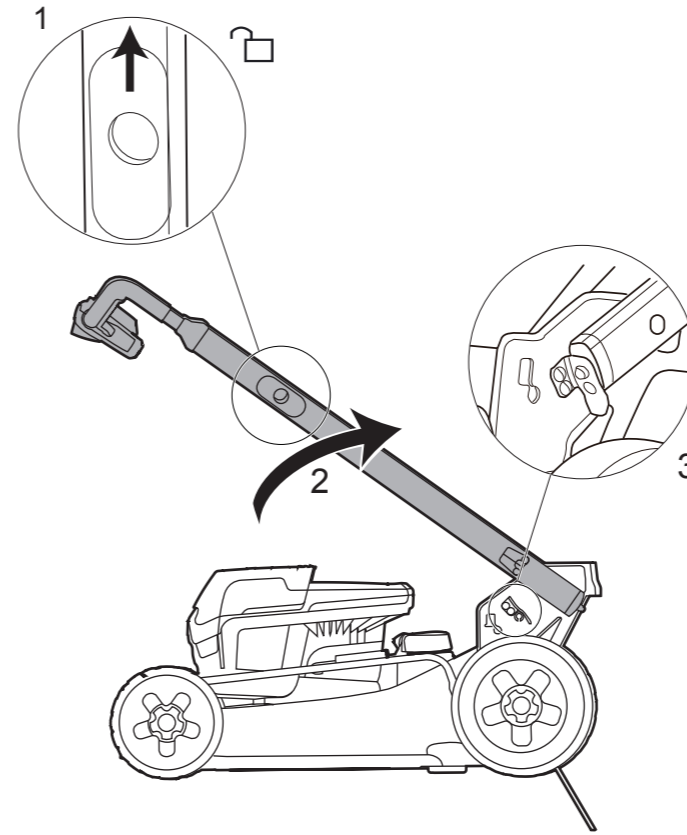
1. Power button
2. Blade activation lever
3. Upper handle
4. Lower handle
5. Rear door
6. Battery door
7. LED Headlight
8. Grass catcher
9. Self-propelled drive lever
10. Side discharge chute



## 1

## INSTALLATION

### Unfold and adjust the handle



## 2

### Discharging

This lawn mower is featured with three discharging ways (rear bagging/mulching/side discharging). These functions can be converted by changing accessory setting. Please refer to the following table for detail setting.

TO CONVERT MOWER	MULCH PLUG	GRASS BAG	SIDE DISCHARGE CHUTE
For rear bagging	×	√	×
For mulching	√	×	×
For side discharging	√	×	√

"√" : installed

"×" : removed

## 3



Europe  
www.greenworkstools.eu



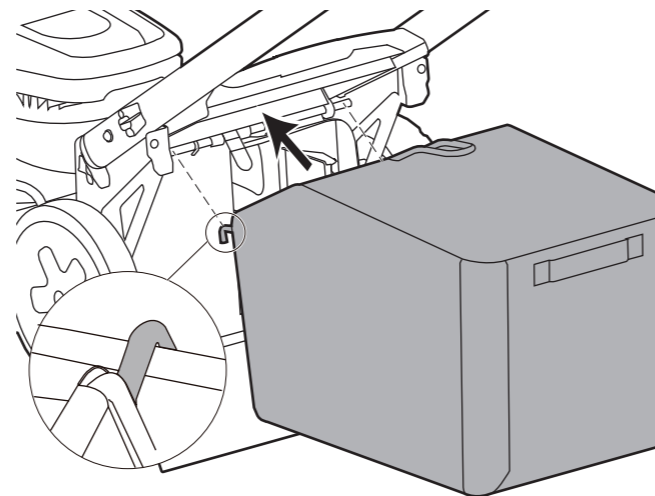
USA  
www.greenworkstools.com



Canada  
www.greenworkstools.ca

## 4

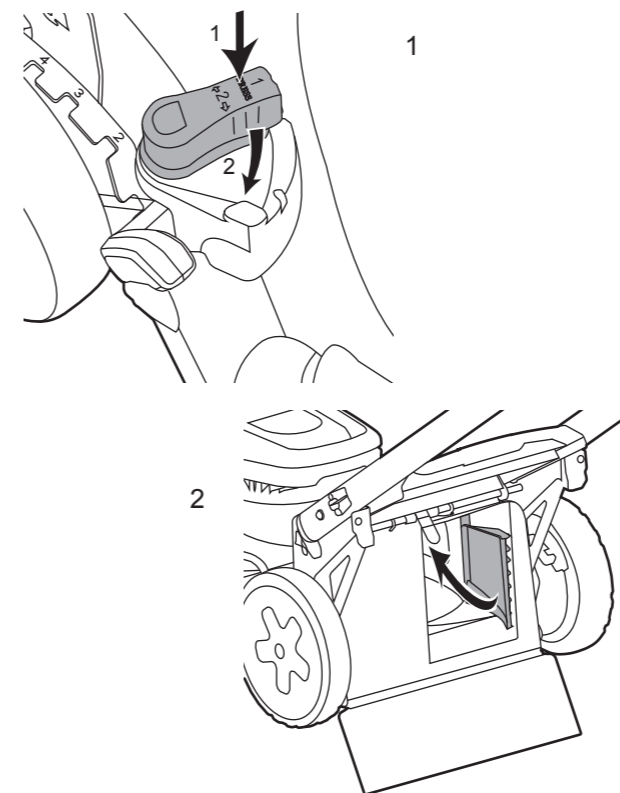
### Three discharging ways: 1. rear bagging



Note:  
Push and turn the mulch door switch counterclockwise to ensure the mulch door open.

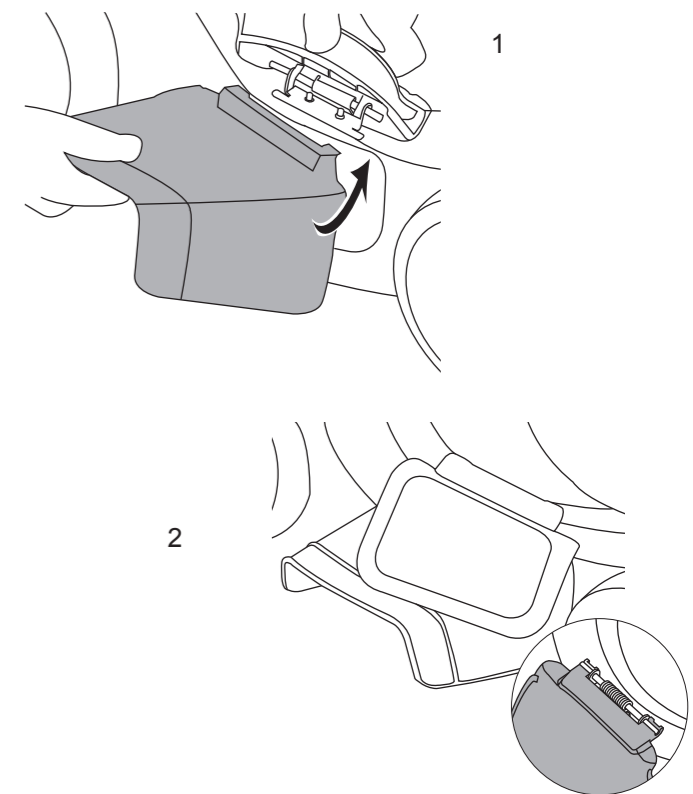
## 5

### 2. mulching



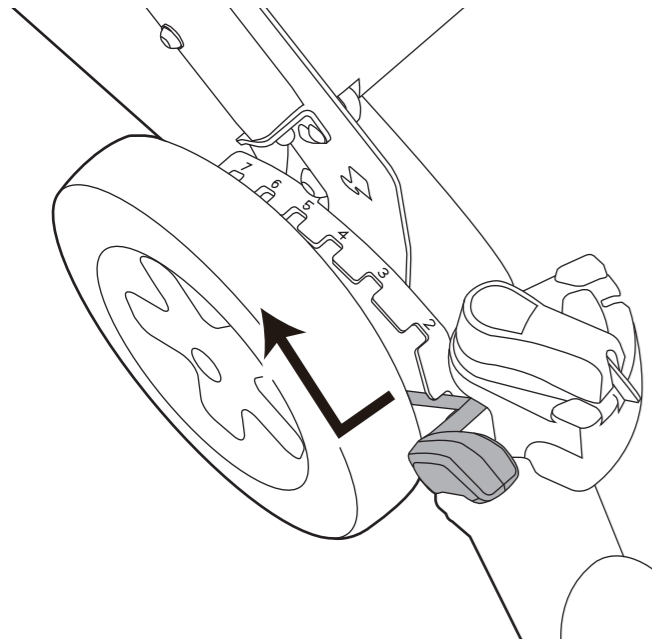
## 6

### 3. side discharging



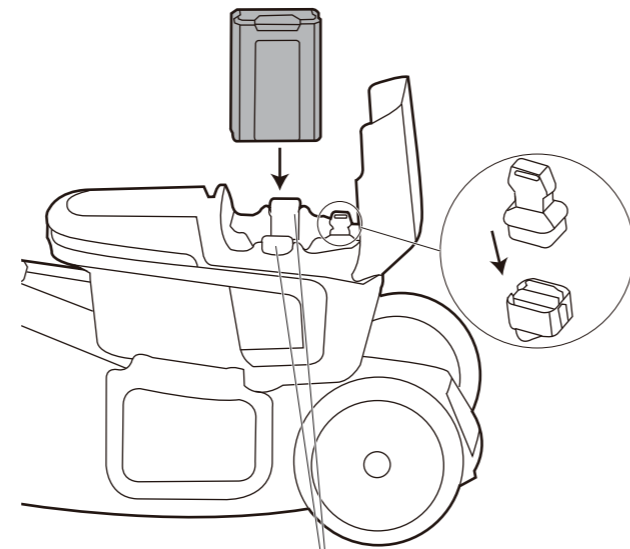
Set the blade height

7



Install the battery

8

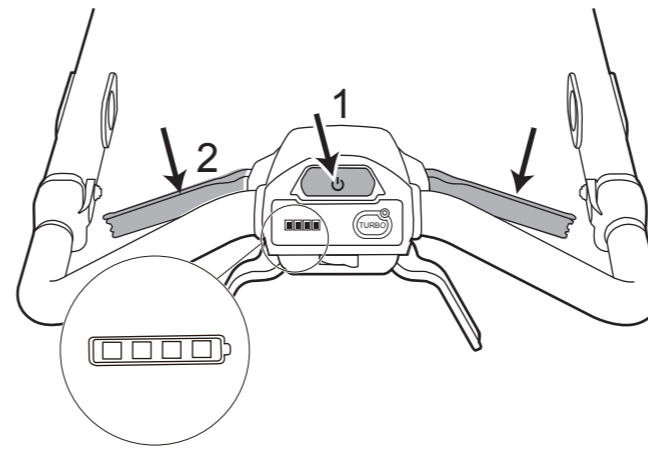


Battery release button

OPERATION

Start the product

9

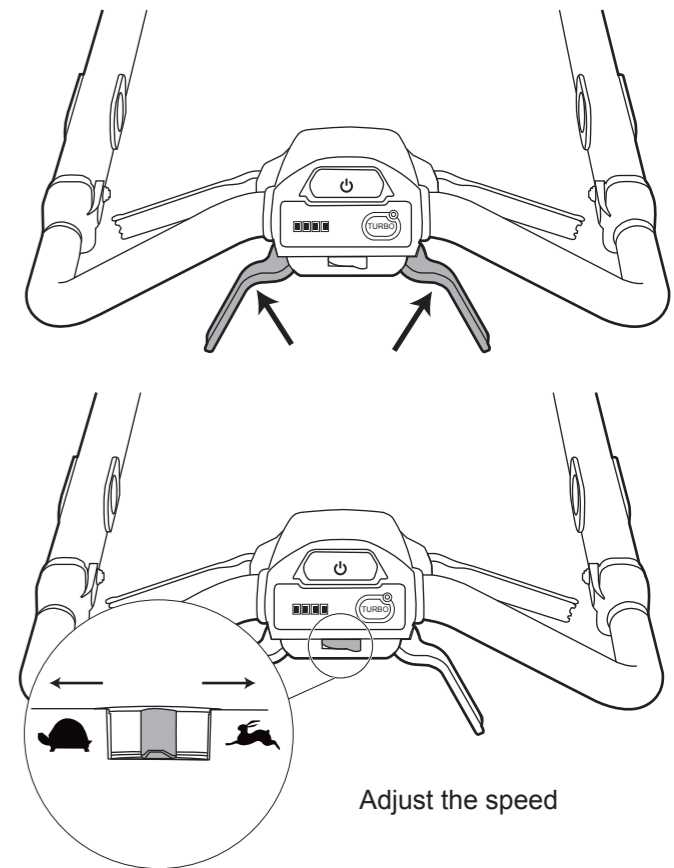


Battery capacity indicator

Lights	Capacity
4 Green Lights	The battery is above 80% capacity
3 Green Lights	The battery is between 80% and 60% capacity
2 Green Lights	The battery is at between 60% and 40% capacity
1 Green Light	The battery is between 40% and 20% capacity
Lights go out	The battery is less than 20% capacity and requires charging immediately

Operate self-propelled system

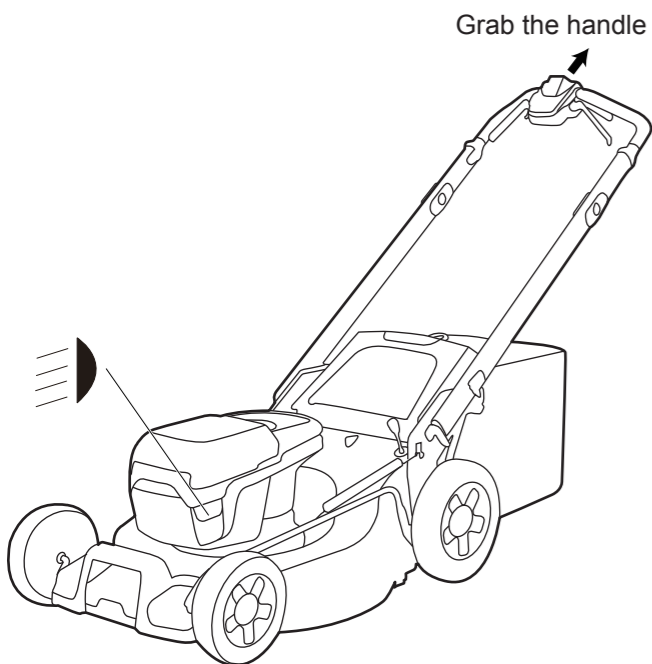
10



Adjust the speed

LED light

11

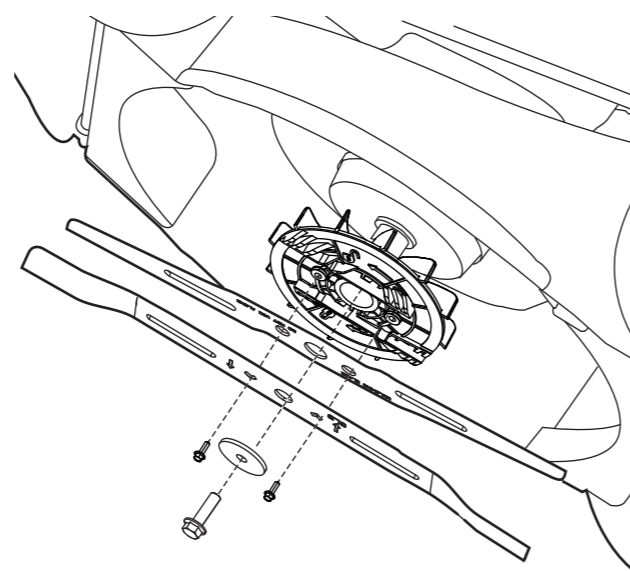


Grab the handle

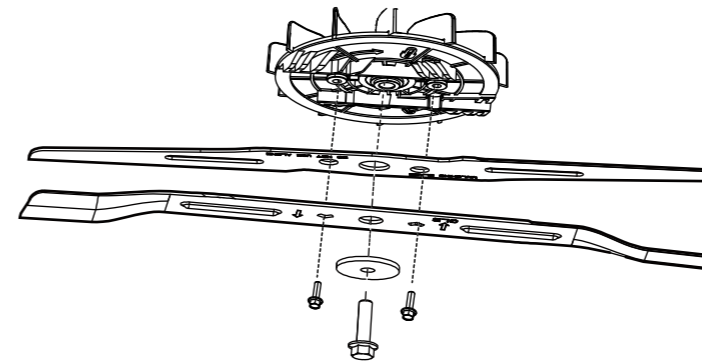
MAINTENANCE

Replace the blade

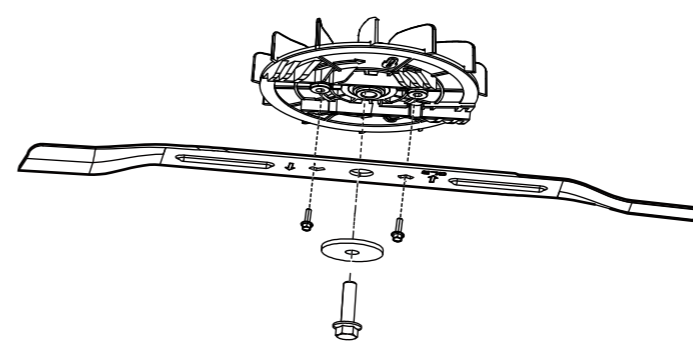
12



Dual blades:



Single blade :



STORAGE

14

