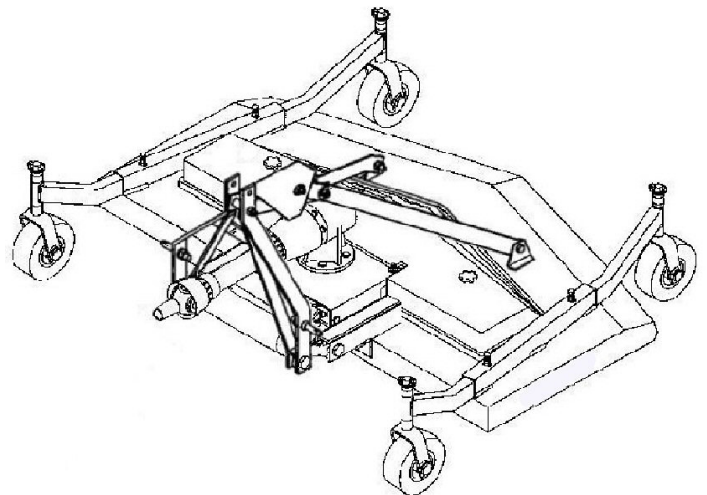
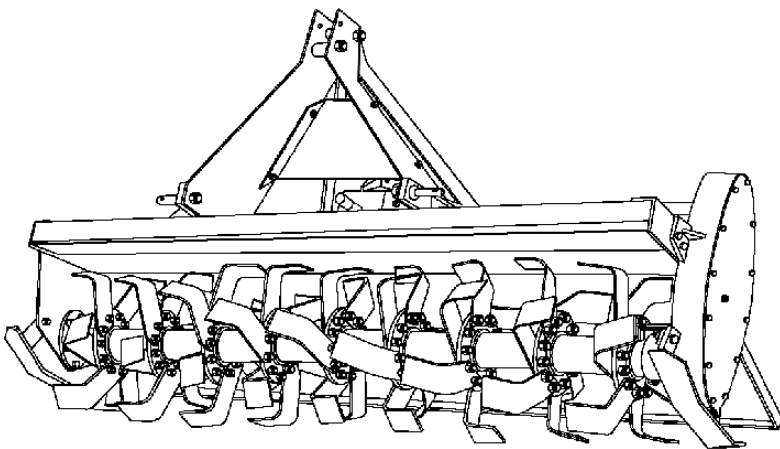


PARTS MANUAL



OCTOBER 2024

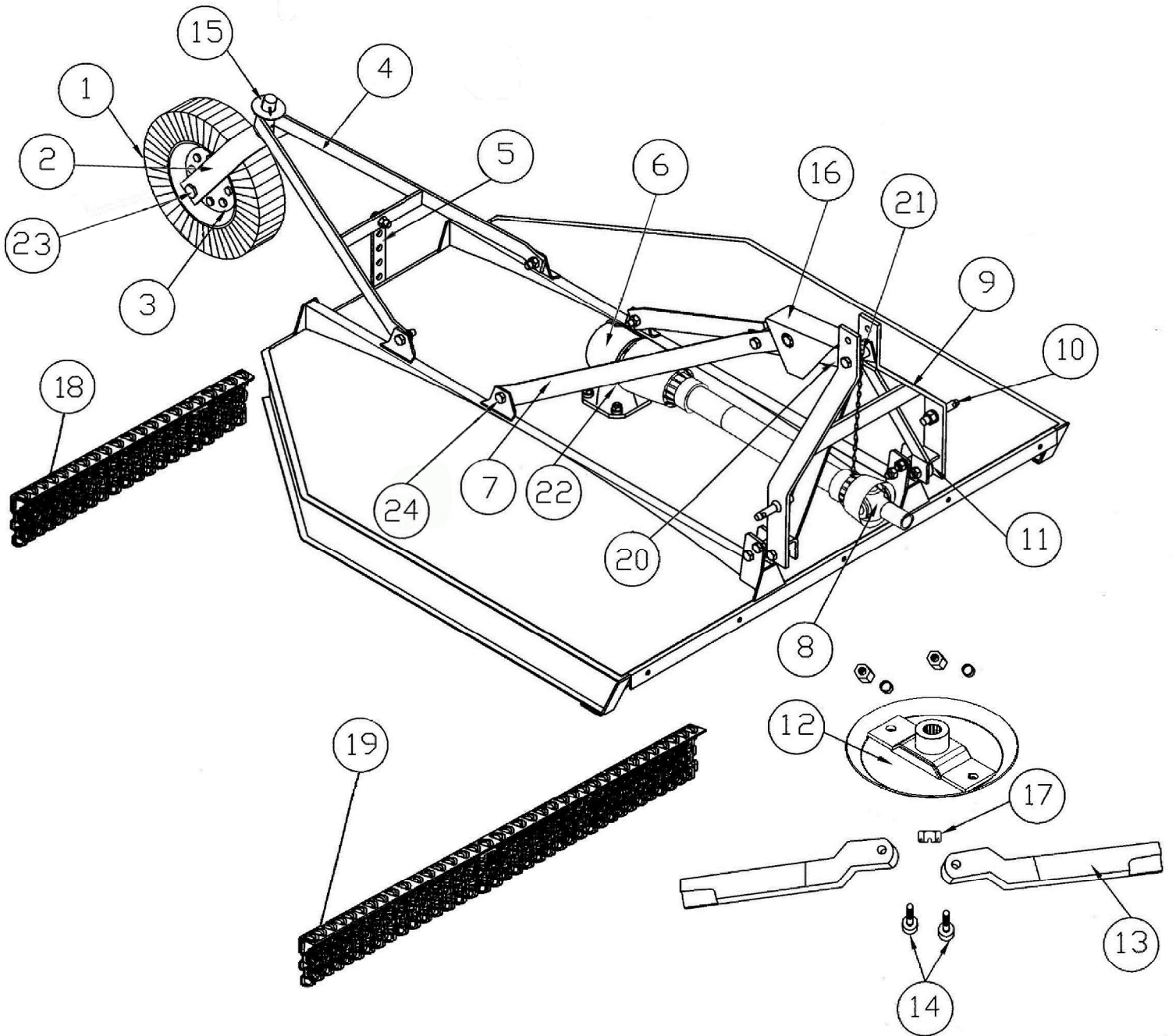
CONTENTS

	Page
Professional Flex Hitch Cutter -----	4
Kutter Lift -----	6
5' Heavy Duty Lift Cutter-----	8
6' & 7' Heavy Duty Lift Cutter-----	9
Kutter Pull-----	10
PTO Shaft -----	11
PTO Shaft /w Slip Clutch -----	12
Slip Clutch-----	13
Flex Hitch Rear Discharge Finishing Mower -----	14
Blade Spindle Unit -----	16
40hp Gearbox -----	18
60hp Gearbox -----	20
80hp Gearbox -----	22
Posthole Digger-----	24
Dual Edge Land Grader -----	26
Kultipacker -----	27
Dirt Scoop -----	28
Box Blade -----	29
Professional Box Blade -----	30
Hinged Back Box Blade -----	31
Tubular Frame Yard Rake-----	32
Professional Yard Rake-----	33
Tubular Frame Rear Blade-----	34
Professional Rear Blade-----	35
Professional PRB Rear Blade-----	36
Heavy Duty Rear Blade-----	37
RB-84-QAT -----	38
Disc Bedder-----	39
One Row Cultivator -----	40
Field Cultivator -----	41
Sub Soiler -----	42

CONTENTS

	Page
HD Subsoiler-----	43
Middle Buster -----	44
Seeders -----	45
Angle Frame Disc SB Model-----	46
Box Frame Disc -----	48
TG Tiller -----	50
RTG Tiller -----	52
Professional TG-G Tiller-----	54
22" PTO 147122 -----	56
RTG, TG-G & TG Tiller Outboard Hub -----	57
TG, TG-G & RTG Tiller Side Gearbox -----	58
TG & TG-G Tiller Top Gearbox -----	60
RTG Tiller Top Gearbox- -----	62
Carry All -----	64
Pallet Mover-----	65
TM-GN Trailer Mover -----	66
TM-GN-HD Trailer Mover -----	67
Arena Renovator-----	68
Drag Harrows -----	70
Wire Unroller-----	71
F-602 Universal Bale Spear-----	72
RS-500 Hay Spear -----	73
BS-325 Bucket Spike -----	74
E-511 Bale Mover-----	75
Boom Pole-----	76
HD Boom Pole-----	77
33" Compact Disc-----	78
48" Compact Disc-----	79
Flip Over Disc-----	80
ATV Kultipacker -----	81
S-ATV-180-----	82
Warranty -----	83

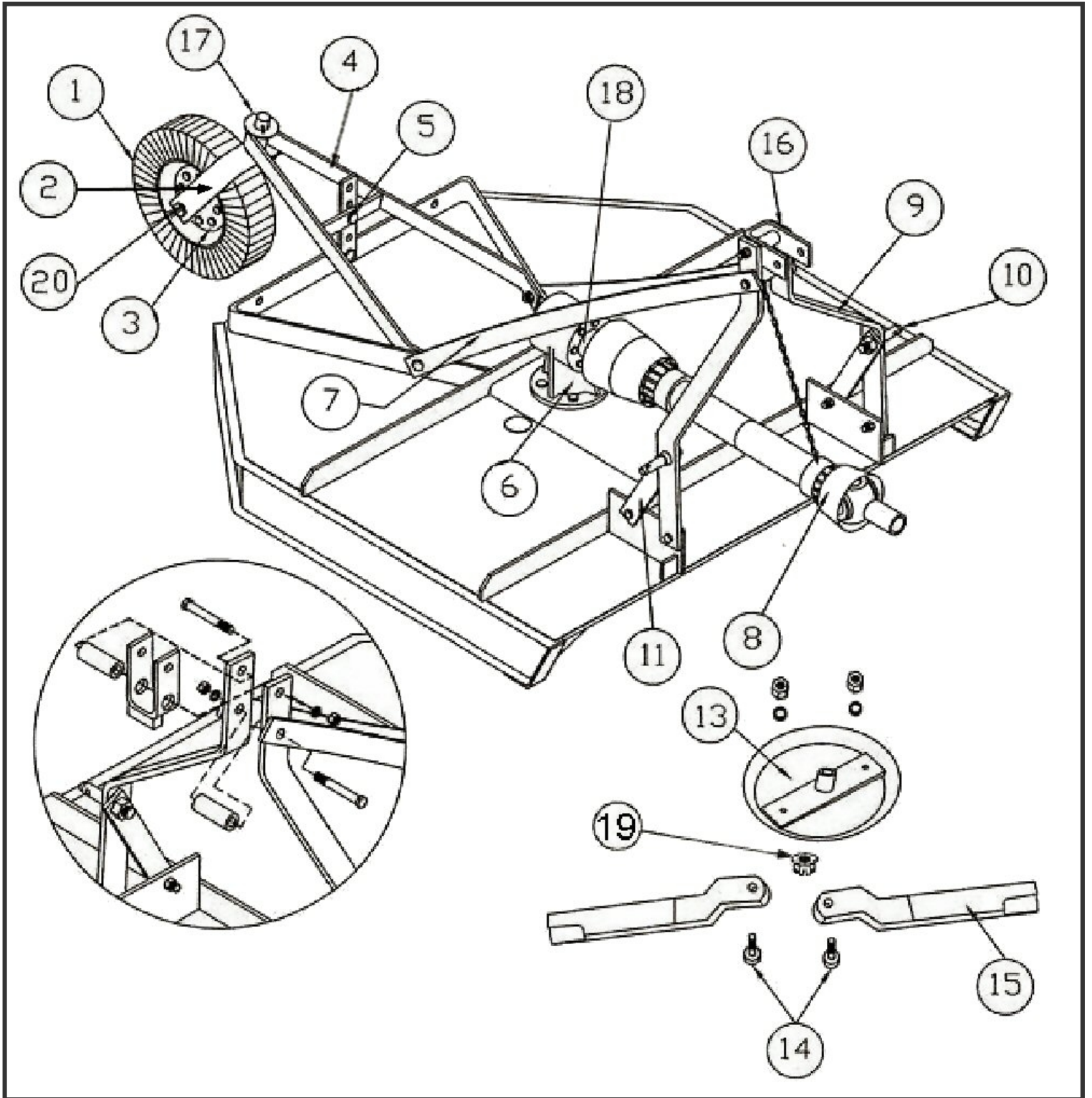
FLEX HITCH KUTTER



Ref No.	Model #	Part #				
		L-48-40-P-FH	L-60-40-P-FH L-60-40-SC-FH	L-60-40-SS-FH	L-72-40-P6-FH L-72-40-SC-P6-FH	L-72-60-SC-P6-FH
	Rotary Mower Size	4 Ft. 40HP	5 Ft. 40 HP	Stainless 5 Ft. 40 HP	6 Ft. 40 HP	6 Ft. 60 HP
1	Tire & Rim /w Hub	403001	403001	403001	403001	403001
2	Wheel Fork Assembly	403019	403019	403019	403019	403019
3	Wheel Hub Assembly	191100	191100	191100	191100	191100
4	A-Frame Assembly	401024	401024	401024	401009	401009
5	A-Frame Height Adjust.	310099	310099	310099	310099	310099
6	Gear Box Slick	184000	184005	-	184005	-
6	Gear Box Splined	-	184010	184010	184010	184065
7	Lift Arm Brace Kit (1-Arm, 1-Bolt, 1-Spacer, 1-Flat Washer, 1- Lock Nut)	501020	501025	501025	501025	501025
8	PTO Shaft w/Shear Pin	147029	147234	-	147242	-
8	PTO Shaft w/Slip Clutch	-	147134	147134	147342	147142
9	Lift Arm Assembly	403661	403663	403663	403663	403663
10	Cat. 1 Lift Pins (Pkg. 2)	500001	500001	500001	500001	500001
11	Swivel Link Set (Pkg. 2)	502010	502010	502010	502010	502010
12	Stump Jumper	403031	403031	403031	403034	403036
13	Mower Blade Set (Pkg.2)	501118	501124	501124	501130	501130
14	Blade Bolt Set (Pkg.2)	501001	501001	501001	501001	501001
15	Wheel Washer Kit	501013	501013	501013	501013	501013
16	Pivot Shield Kit	501029	501029	501029	501029	501029
17	Castle Nut & Cotter Pin Pkg.	501110	501110	501110	501110	501110
18	Rear Chain Guard (Optional)	403971	403973	*403973	403975	403975
19	Front Chain Guard (Optional)	403970	403972	*403972	403974	403974
20	Pivot Bar	401031	401031	401031	401031	401031
21	Spacer & Bolt Kit	501095	501095	501095	501095	501095
22	Shear Bolt Kit (Pkg. 5)	500101	500101	500101	500101	500101
22	Slip Clutch	-	-	Pg. 13	-	Pg. 13
23	Axle Bolt w/Nut	501280	501280	501280	501280	501280
24	Brace Arm Spacer Kit	501500	501500	501500	501500	501500

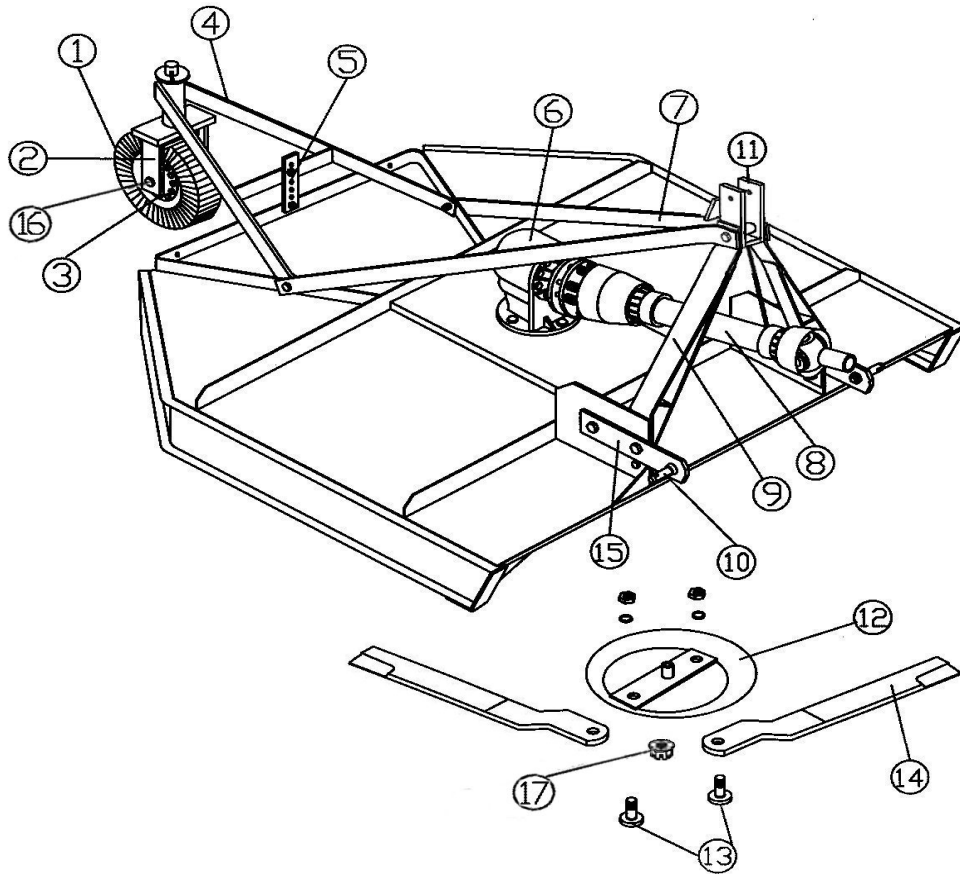
*Front & Rear Chain Guards (Standard with 5' Stainless Steel Cutter)

ROTARY MOWER- LIFT



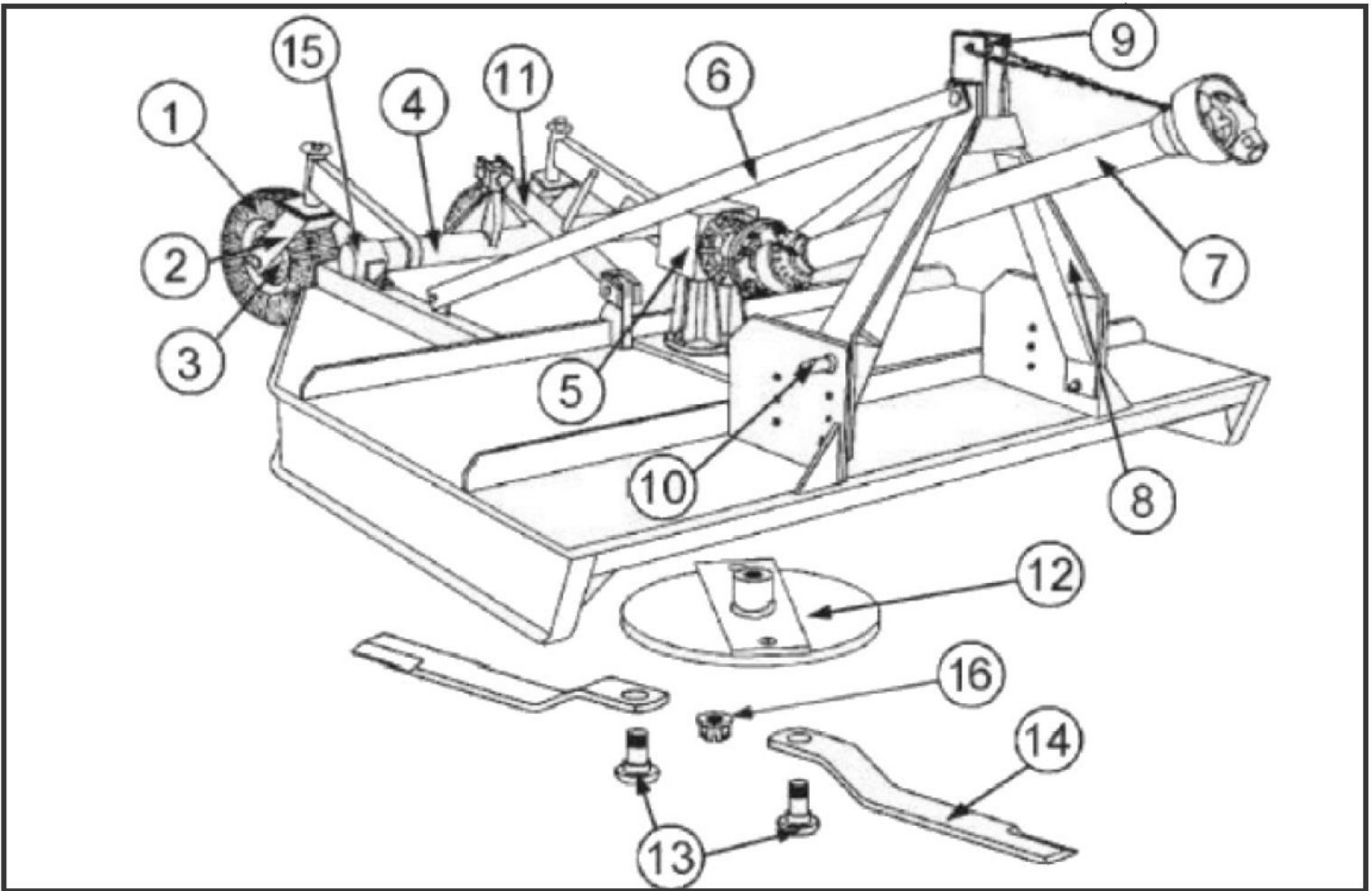
Ref. #	Model #	Part #				
		L-48-40-P	L-60-40-P L-60-40-SC	L-60-60-P L-60-60-SC	L-72-40-P L-72-40-P6 L-72-40-SC L-72-40-SC-P6	L-72-60-P L-72-60-P6 L-72-60-SC L-72-60-SC-P6
	Rotary Mower Size	4'- 40hp	5'- 40hp	5'- 60hp	6'- 40hp	6'- 60hp
1	Tire & Rim /w Hub	403001	403001	403001	403001	403001
2	Wheel Fork Assembly	403019	403019	403019	403019	403019
3	Wheel Hub Assembly	191100	191100	191100	191100	191100
4	A-Frame Assembly	401018	401019	401019	401020	401020
5	A-Frame Height Adjust.	310081	310081	310081	310081	310081
6	Gear Box Slick	184000	184005	184060	184005	184060
6	Gear Box Splined	-	184010	184065	184010	184065
7	Lift Arm Brace	310076	310074	310074	310073	310073
8	PTO Shaft /w Shear Pin	147022	147029	147029	147234	147034
8	PTO Shaft /w Slip Clutch	-	147129	147129	147134	147134
9	Lift Arms	310088	310088	310088	310091	310091
10	Cat. 1 Lift Pins (Pk. 2)	500001	500001	500001	500001	500001
11	Lift Arm Support Strap	310071	310071	310071	310071	310071
12	Blade Carrier*	-	-	-	-	-
13	Stump Jumper*	403031	403031	403032	403031	403032
14	Blade Bolt Set (Pkg.2)	501001	501001	501001	501001	501001
15	Blade Set (Pkg. 2)	501118	501124	501124	501130	501130
16	Swivel Kit**	501027	501027	501027	501027	501027
17	Wheel Washer Kit	501013	501013	501013	501013	501013
18	Shear Bolt Kit (Pkg. 5)	500101	500101	500101	500101	500101
18	Slip Clutch	-	Pg. 13	Pg. 13	Pg. 13	Pg. 13
19	1" Castle Nut Pkg.	501110	501110	501110	501110	501110
20	Axle Bolt w/Nut	501280	501280	501280	501280	501280

5' HEAVY DUTY LIFT MOWER



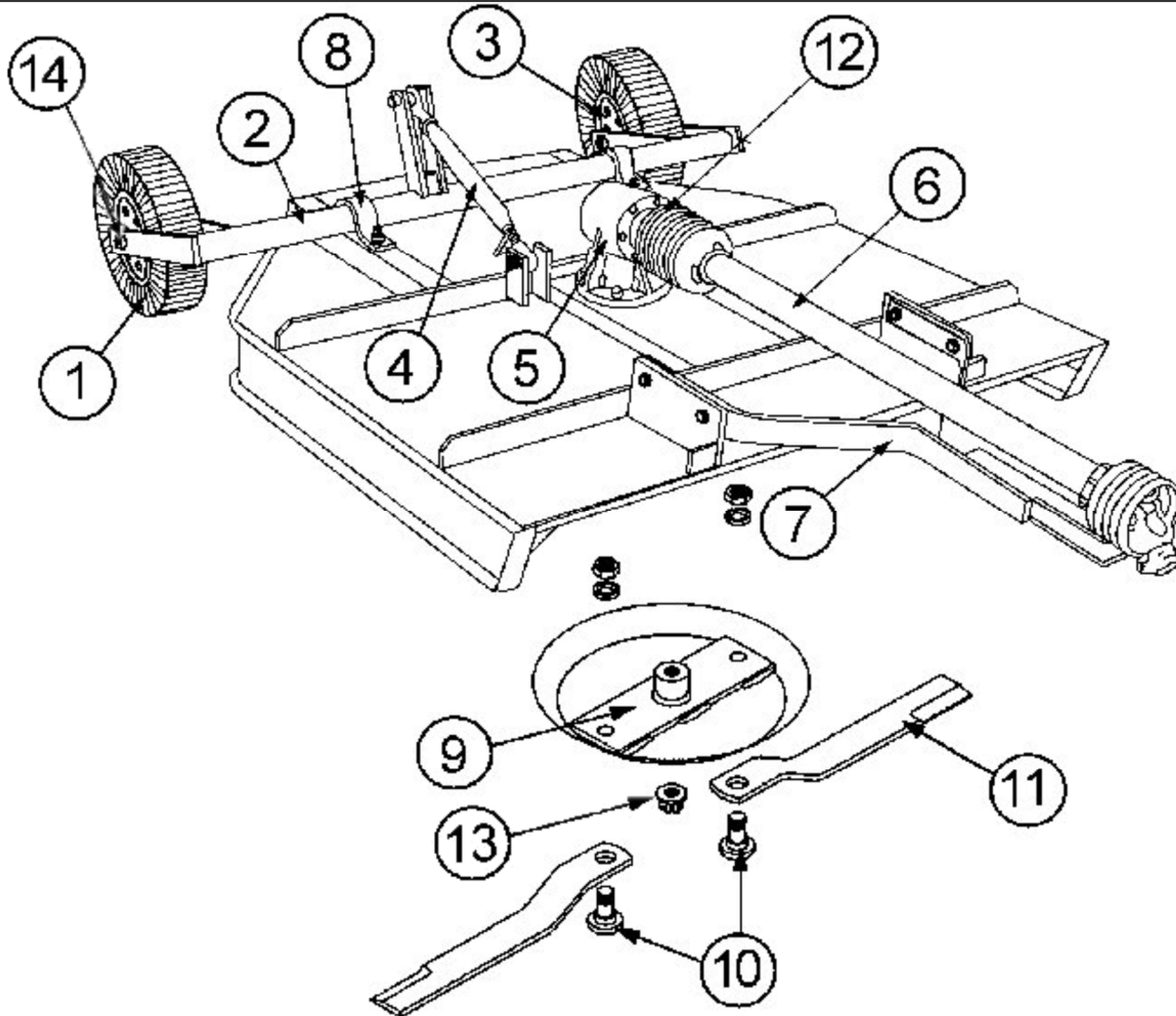
Ref. No.		Part #
	Model #	L-60-60-HD
	Rotary Mower Size	5' - 60hp
1	Tire & Rim /w Hub	501000
2	Wheel Fork Assembly	403602
3	Wheel Hub Assembly	191200
4	A-Frame Assembly	401023
5	A-Frame Height Adjust.	310115
6	Gear Box	184065
7	Lift Arm Brace	360345
8	PTO Shaft	147134
9	Lift Arm Assembly	403450
10	Cat. 2 Lift Pins (Pkg. 2)	500002
11	Swivel Yoke Assembly	403455
12	Blade Carrier	403041
13	Blade Bolt Set (Pkg.2)	501002
14	Mower Blade Set (Pkg.2)	501224
15	Lift Pin Plate	310974
16	Axle Bolt & Nut	501280
17	Castle Nut & Cotter Pin	501110

6' & 7' HEAVY DUTY LIFT MOWER



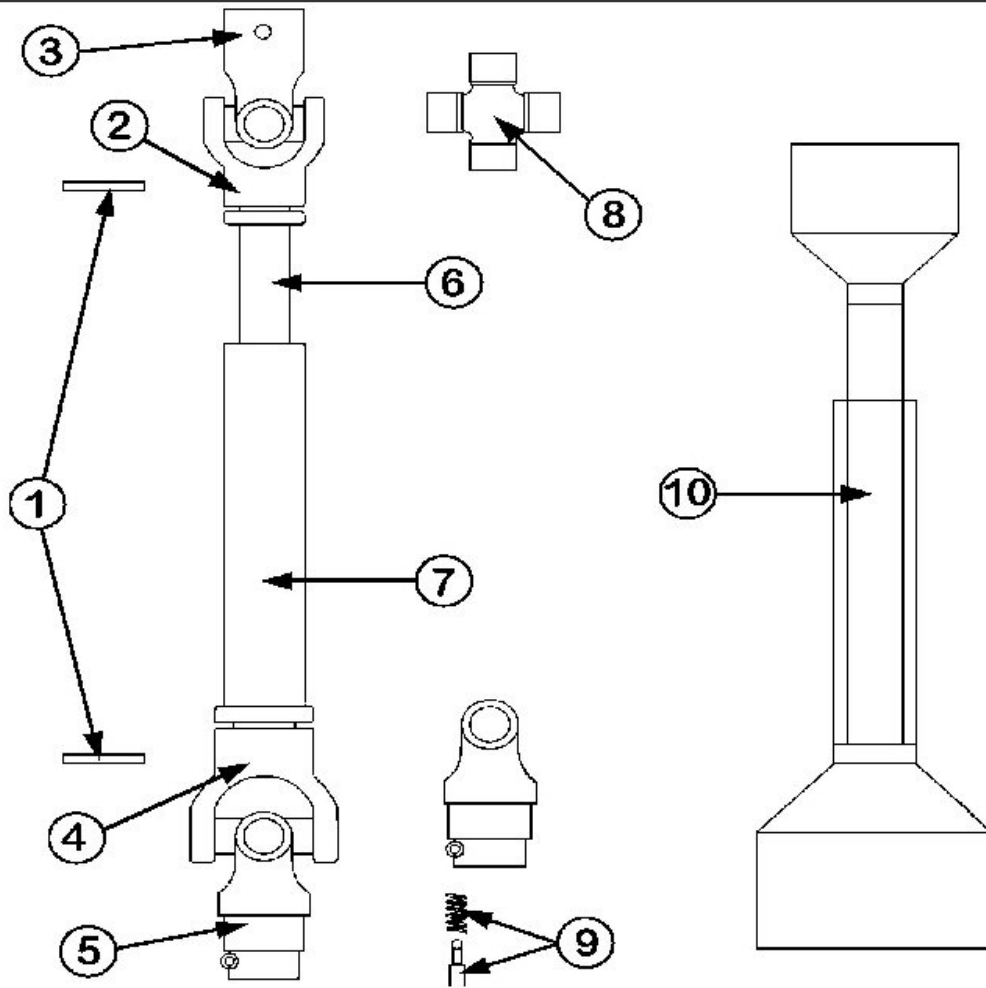
Ref. No.	Model #	Part #			
		L-72-60-HD	L-72-80-HD	L-84-60-HD	L-84-80-HD
	Rotary Mower Size	6' - 60hp	6' - 80hp	7' - 60hp	7' - 80hp
1	Tire & Rim /w Hub	501000	501000	501000	501000
2	Wheel Fork Assembly	403602	403602	403602	403602
3	Wheel Hub Assembly	191200	191200	191200	191200
4	Cross Axle Assembly	403600	403600	403601	403601
5	Gear Box	184065	184080	184065	184080
6	Lift Arm Brace	310619	310619	310609	310609
7	PTO Shaft	147134	147134	147248	147248
8	Lift Arm Assembly	403658	403658	403658	403658
9	Swivel Yoke Assembly	403402	403402	403402	403402
10	Cat. 2 Lift Pins (Pkg. 2)	500002	500002	500002	500002
11	Ratchet Jack	195170	195170	195170	195170
12	Blade Carrier	403041	403041	403033	403033
13	Blade Bolt Set (Pkg.2)	501002	501002	501002	501002
14	Mower Blade Set (Pkg.2)	501230	501230	501230	501230
15	Axle End 7'	403430	403430	403430	403430
16	Castle Nut & Cotter Pin	501110	501110	501110	501110

ROTARY MOWER- PULL



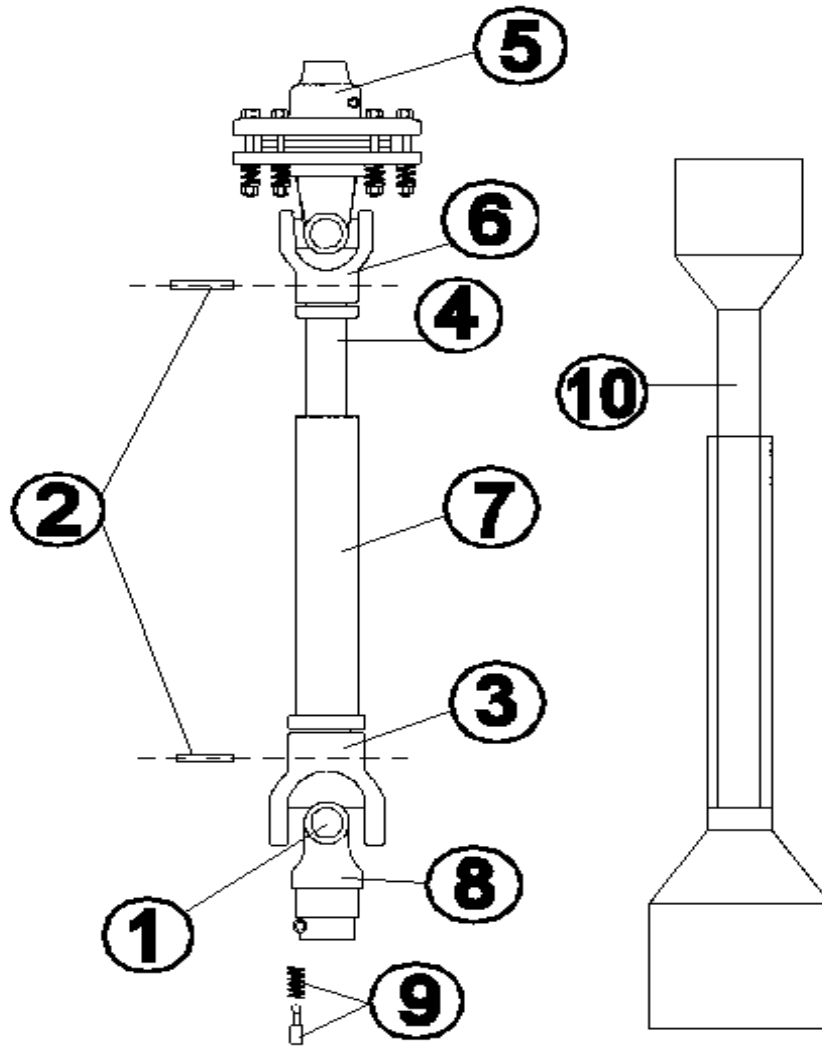
Ref. No.	Model #	Part #
	Rotary Mower Size	5'- 40hp
1	Tire & Rim /w Hub	403001
2	Cross Axle Assembly	403560
3	Wheel Hub Assembly	191100
4	Top Link CAT. 1	195166
5	Gear Box	184005
6	PTO Shaft	147148
7	Pull Tongue Assembly	403648
8	Axle Cuff	320160
9	Stump Jumper	403031
10	Blade Bolt Set (Pkg.2)	501001
11	Mower Blade Set (Pkg.2)	501124
12	Shear Bolt Kit (Pkg. 5)	500101
13	Castle Nut & Cotter Pin	501110
14	Axle Bolt & Nut	501280

SHEAR PIN PTO SHAFT



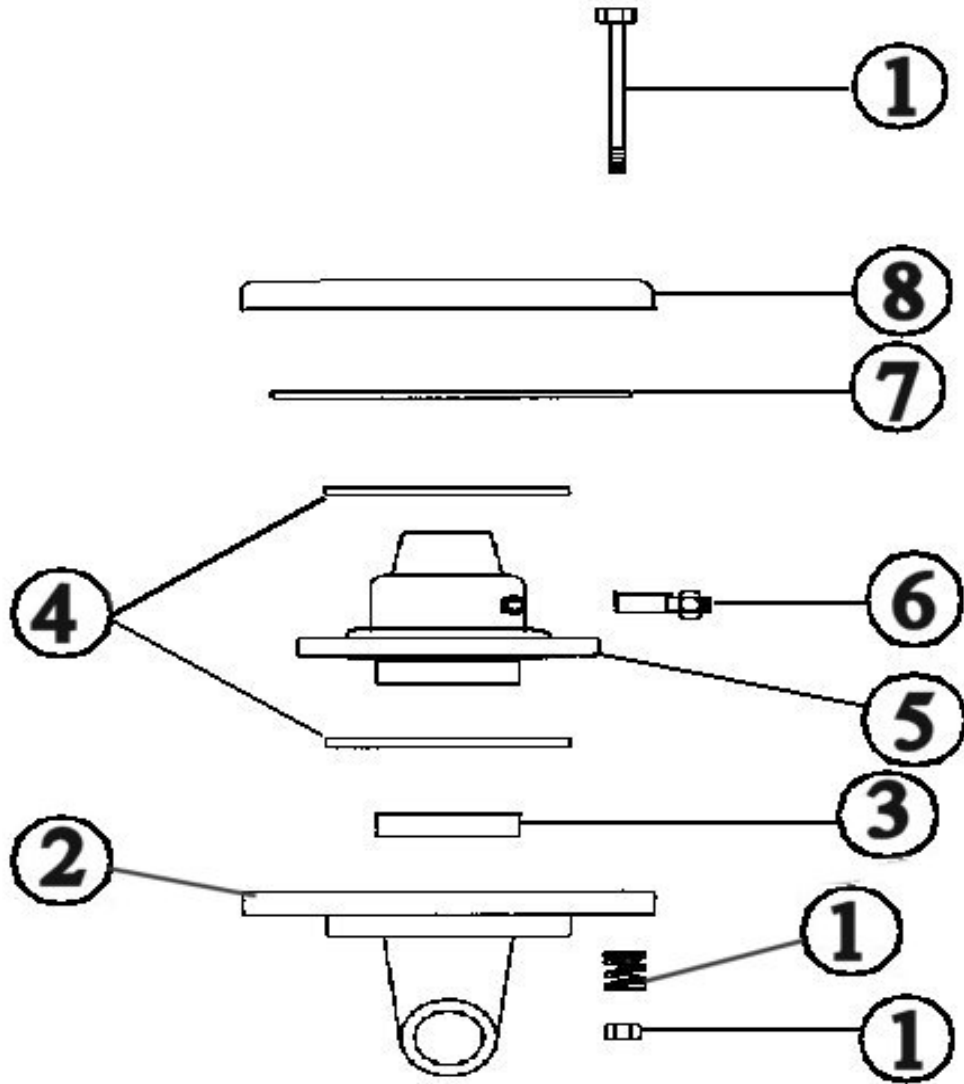
Ref. No.		Part #				
		147022	147029	147034	147242	147234
1	Roll Pin Kit	500131	500131	500133	500131	500131
2	Male Tube End Yoke	151045	151045	151065	151045	151045
3	Implement End Yoke	151040	151040	151060	151040	151040
4	Female Tube End Yoke	151050	151050	151070	151050	151050
5	Tractor End Yoke	151035	151035	151055	151035	151035
6	Inner Tube 14 Series	151090	151090	151092	151090	151090
7	Outer Tube 14 Series	151091	151091	151093	151091	151091
8	Cross Kit # 4	170015	170015	170020	170015	170015
9	Quick Disconnect Pin	170110	170110	170110	170010	170010
10	Safety Shield BYPY	124310	124310	124315	124310	124310
10	Safety Shield Eurocardan	124311	124311	124316	124311	124311

SLIP CLUTCH PTO SHAFT



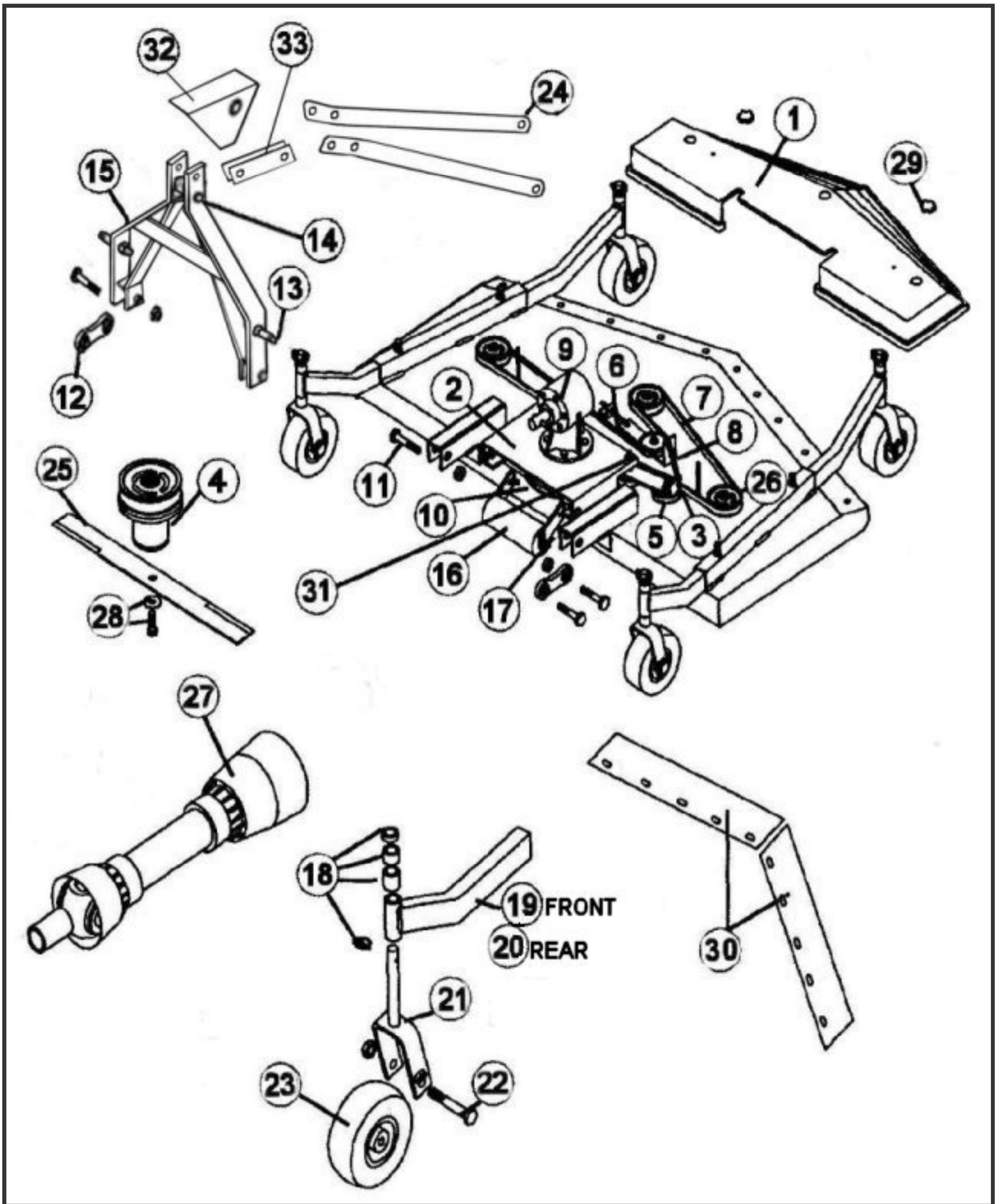
Ref. No.		Part #		
		147129	147134	147248
1	Cross Kit	170015	170020	170020
2	Roll Pin Series 4 Kit	500131	500131	500131
3	Female Tube End Yoke	151050	151070	151070
4	Inner Tube	151090	151092	151092
5	Slip Clutch Assembly	Next Pg.	Next Pg.	Next Pg.
6	Male Tube End Yoke	151045	151065	151065
7	Outer Tube	151091	151093	151093
8	Tractor End Yoke	151035	151055	151055
9	Quick Disconnect Pin	170110	170110	170110
10	Safety Shield BYPY	124310	124315	124315
10	Safety Shield Eurocardan	124311	124316	124316

SLIP CLUTCH ASSEMBLY



Ref. No.		Part #		
		6"	7"	8"
1	Clutch Spring with Compression Bolts (Pkg 8)	500150	500150	500150
2	Flanged Yoke	140226	196006	196011
3	Sleeve		196005	196005
4	Clutch Plate	140219	196008	196003
5	Friction Hub	140220	196004	196007
6	Slip Clutch Lock Bolt		147350	147350
7	Slip Clutch Liner Plate	124317	196002	195998
8	Pressure Plate	140216	196001	196015

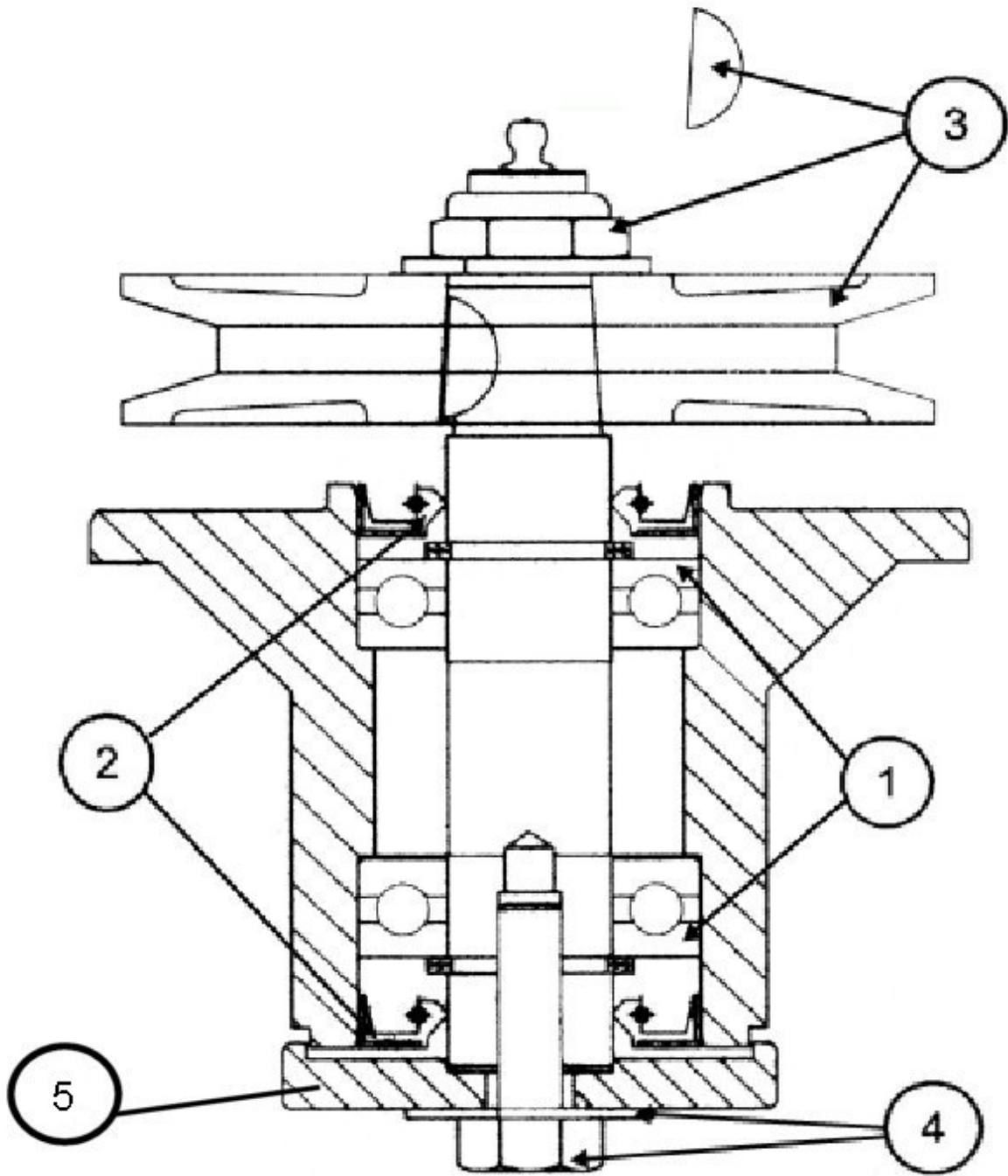
REAR DISCHARGE FLEX HITCH FINISHING MOWER



Ref. No.	Model #	Part #			
		RFM-48-XB	RFM-60	RFM-72 RSFM-72	RSFM-SS-84
	Mower Size	4'	5'	6'	7' STAINLESS
1	Top Cover	124684	124685	124686	124687
2	Gear Box Plate	403029	403025	403025	403025
3	Idler Pulley Bracket	-	312647	312647	-
3	Double-Idler Pulley Bracket	-	-	312647	312641
4	Spindle Unit - Single	502303	502303	502303	-
4	Spindle Unit - Double	-	-	502304	502304
5	Idler Pulley - Single	164090	164090	164090	-
5	Idler Pulley- Double	-	-	164091	164091
6	Belt Adjustment Assembly	403682	403688	403688	403688
7	V- Belt*	167108 ¹	167133 ²	167148 ³	167162 ⁴
7	V - Belt Double	-	-	167149	167163
8	Spring	-	502027	502027	502027
9	Gearbox	184000	184000	184000	184005
10	Main Pulley - Single	165114	165114	165112	165112
10	Main Pulley - Double	-	-	165113	165113
11	Swivel Link Bolt Pkg. 3/4" x 4" /w nut	502011	502011	502011	502011
12	Swivel Link Set	502010	502010	502010	502010
13	Cat. 1 Lift Pins (2/pk)	500001	500001	500001	500001
14	Lift Arm Spacer /w Bolt & Nut	501095	501095	501095	501095
15	Lift Arm Assembly	403664	403664	403664	403664
16	Center Roller /w Axle	502110	502110	502110	502110
17	Roller Axle	403670	403670	403670	403670
18	Height Adjuster Set	502120	502120	502120	502120
19	Front Tail Wheel Arm	403410	403410	403410	403410
20	Rear Tail Wheel Arm	403415	403415	403415	403415
21	Wheel Fork	403023	403023	403023	403023
22	Axle Bolt 3/4" x 5" /w Nut	502125	502125	502125	502125
23	Tire & Rim /w Axle & Nut	502015	502020	502020	502020
24	Lift Arm Brace Kit (1-Arm, 1-Bolt, 1-Spacer, 1-Flat Washer, 1- Lock Nut)	502040	502045	502050	502050
25	Blade Set /w Bolts	502316	502320	502324	502328
26	Spindle Pulley - Single	502313	502313	502313	-
26	Spindle Pulley - Double	-	-	502314	502314
27	22" PTO Shaft	147022	147022	147022	147022
28	LH Blade Bolt Set /w Washer	502310	502310	502310	502310
29	Plastic Knob	502287	502287	502287	502287
30	Belt Guards (1-LH, 1-RH)	502400	502401	502402	502403
31	Gearbox Plate Bolt Pkg.	-	502197	502197	502197
32	Pivot Shield Kit	501029	501029	501029	501029
33	Pivot Bar	401031	401031	401031	401031

*¹B-108 ²B-133 ³B-148 ⁴B-162 *167112

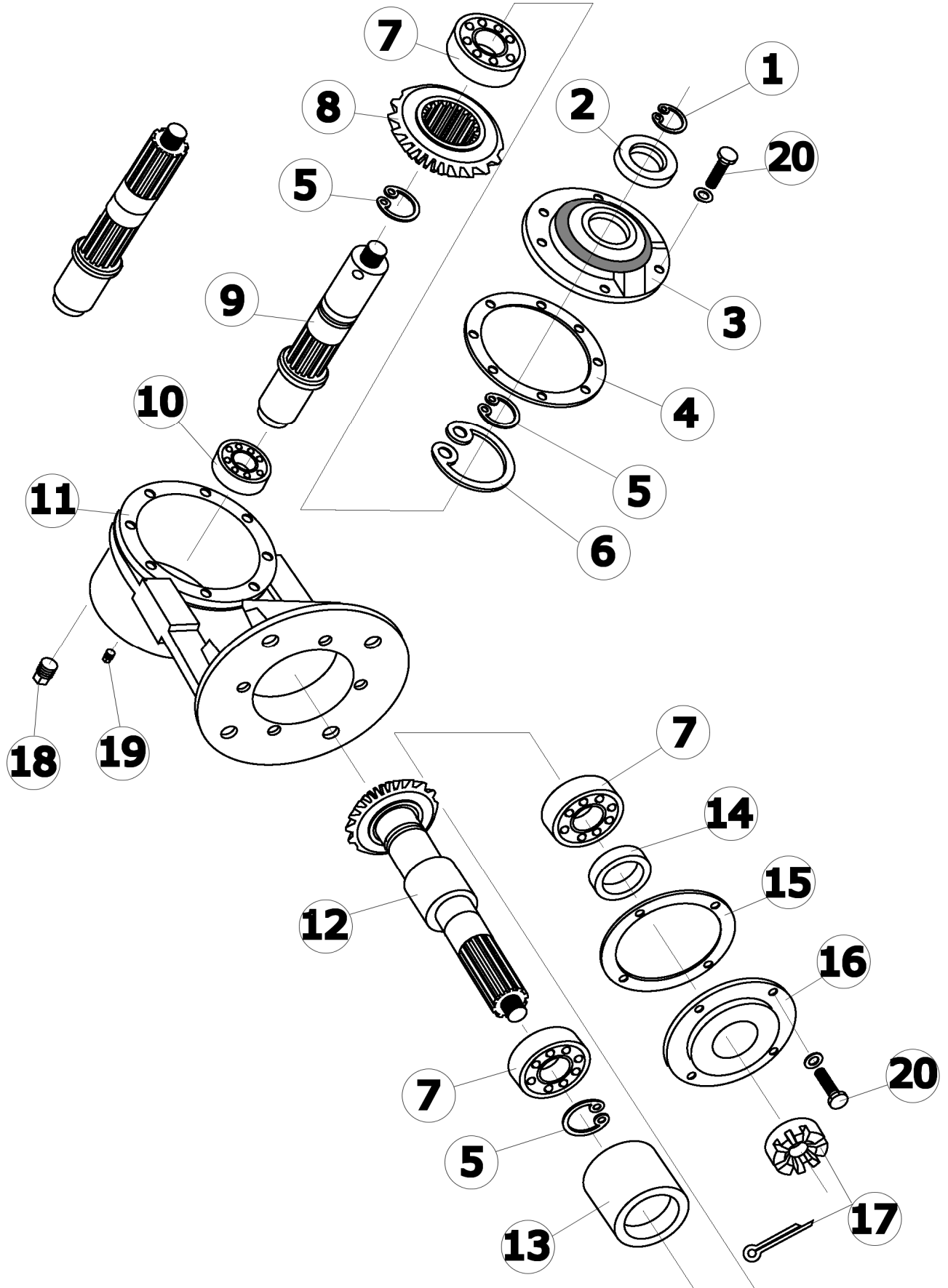
Blade Spindle Unit



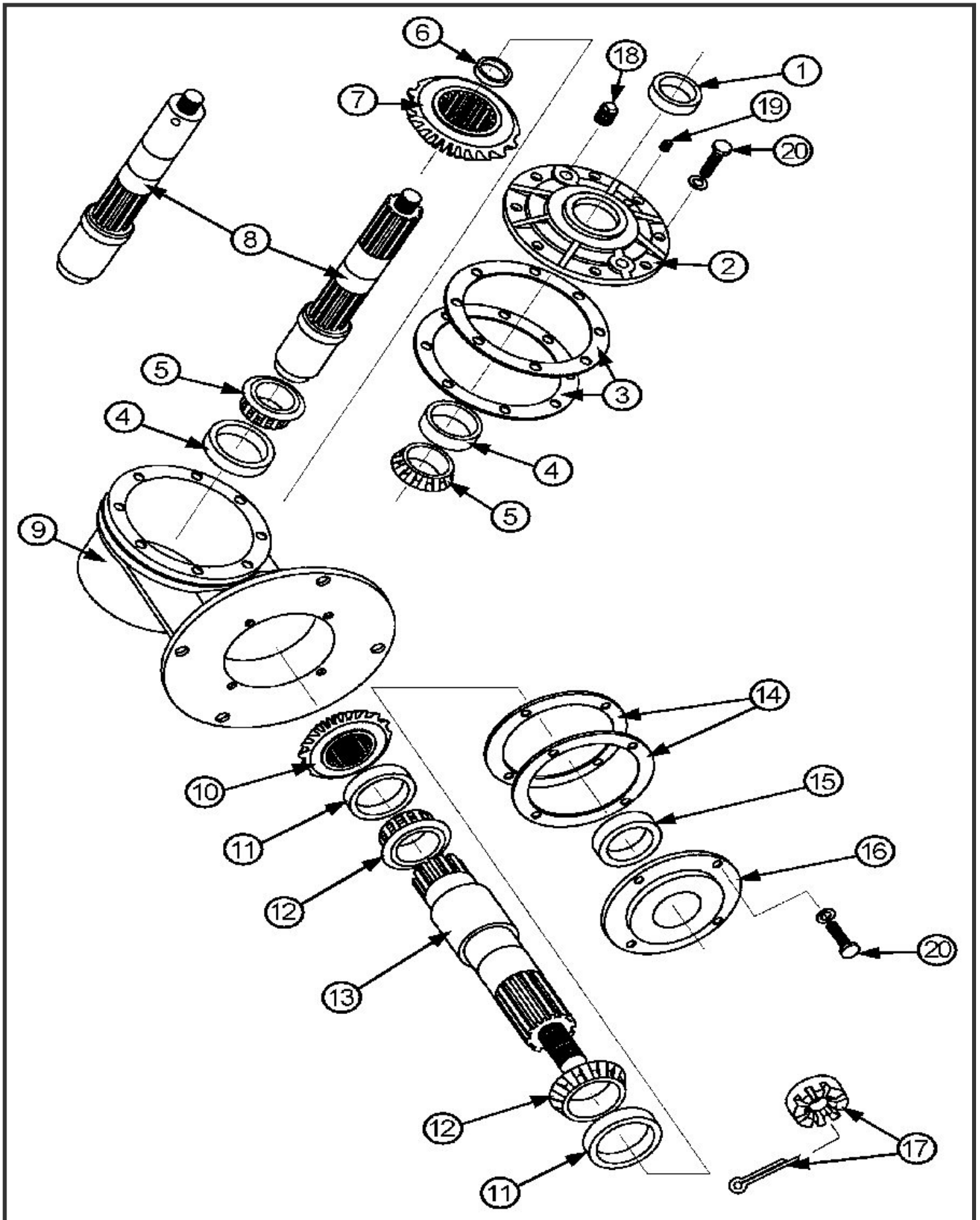
Ref. No.		Part #		
		502303	502301	502304
1 & 2	Bearing Kit - (2) Ball Bearings (6205), (2) Seals (TCM25x52x7TC), (4) Snap Rings	555009	555009	555009
3	Spindle Pulley /w Nut & Key	502313	502312	502314
4	Blade Bolt Set (3) /w Washer	502310	502310	502310
5	Spindle Cap	191302	191302	191302

LEFT
BLANK
INTENTIONALLY

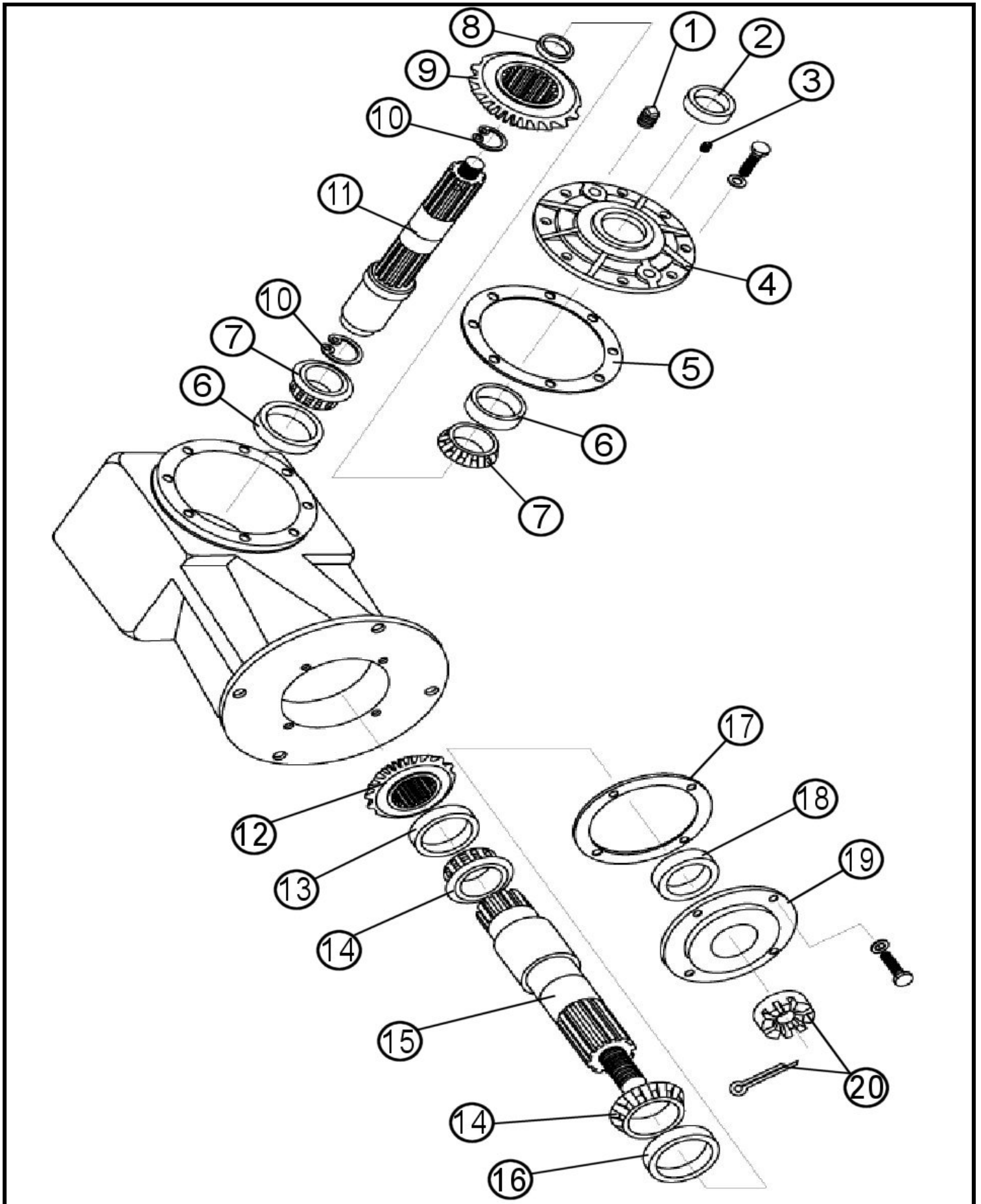
40 HP GEARBOX



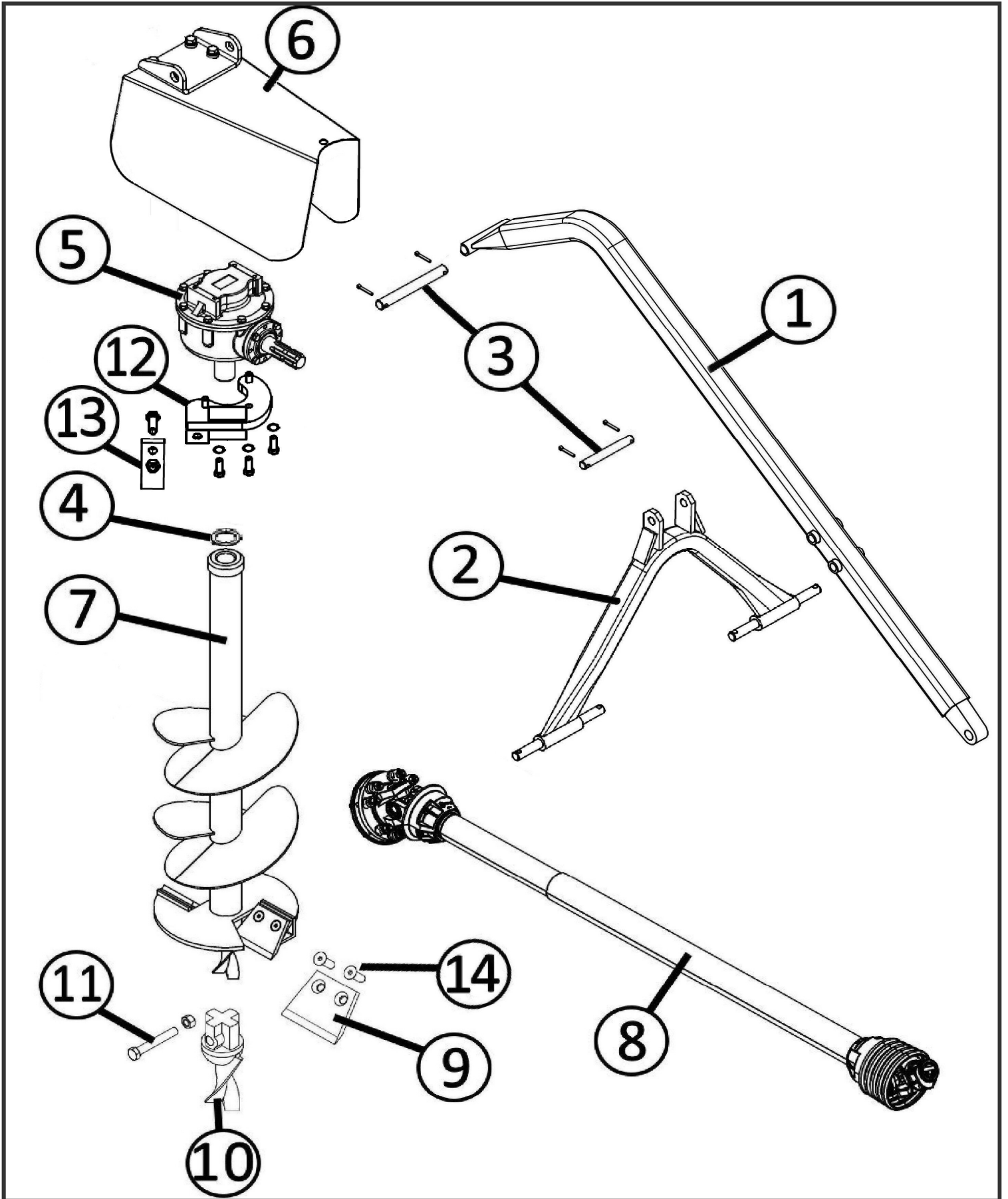
60 HP GEARBOX



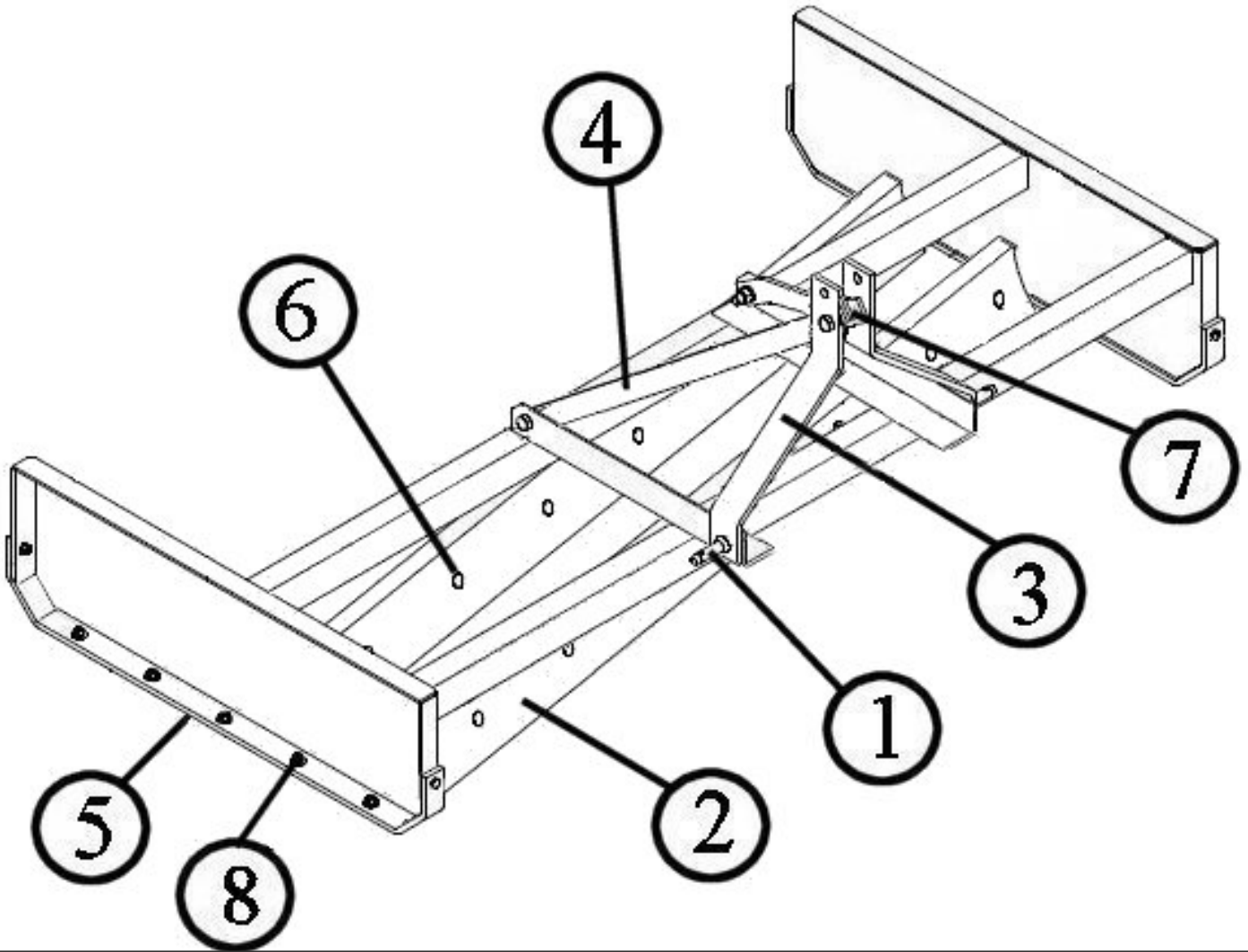
80 HP GEARBOX



PHD PARTS

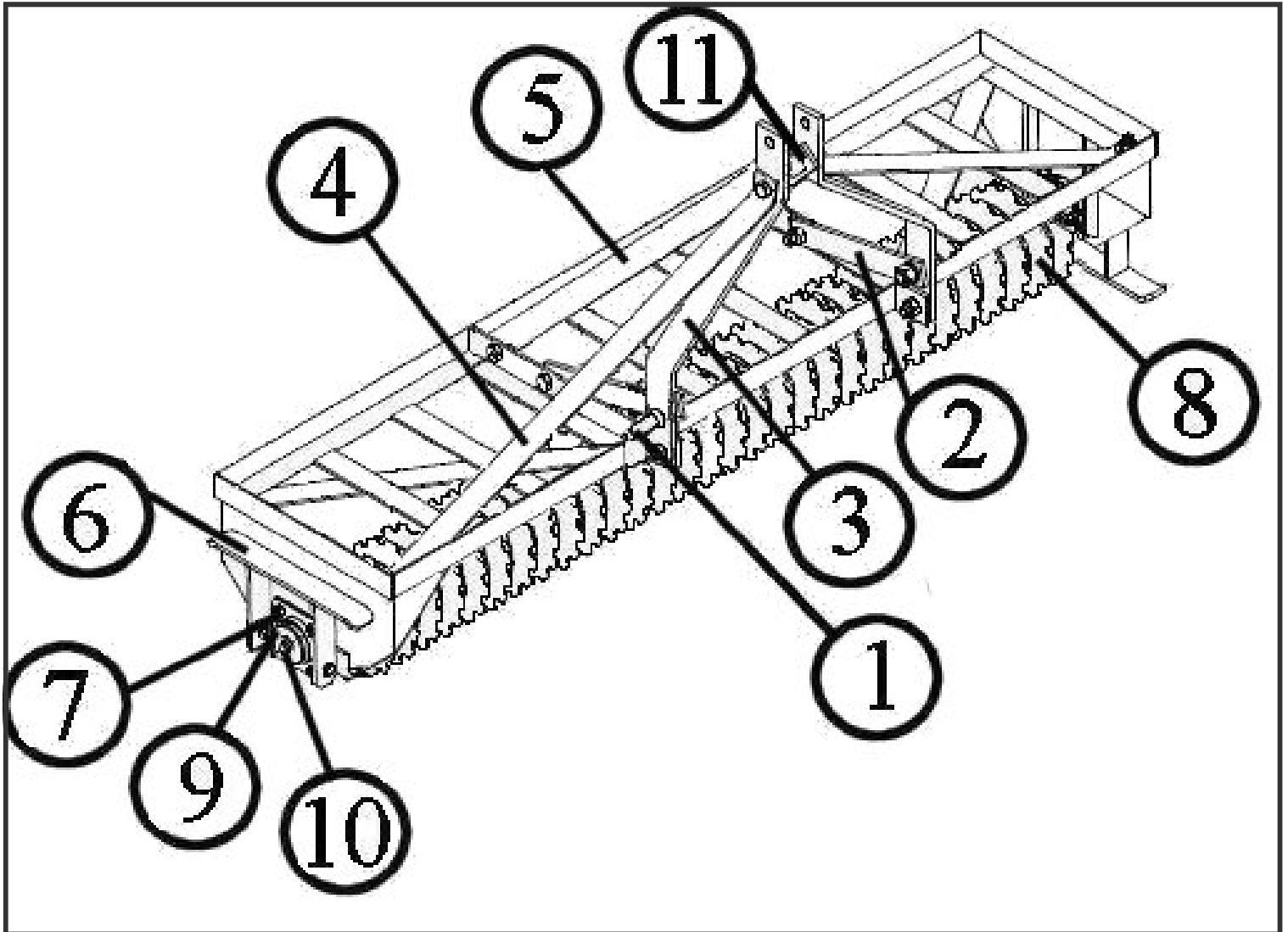


DUAL EDGE LAWN GRADER



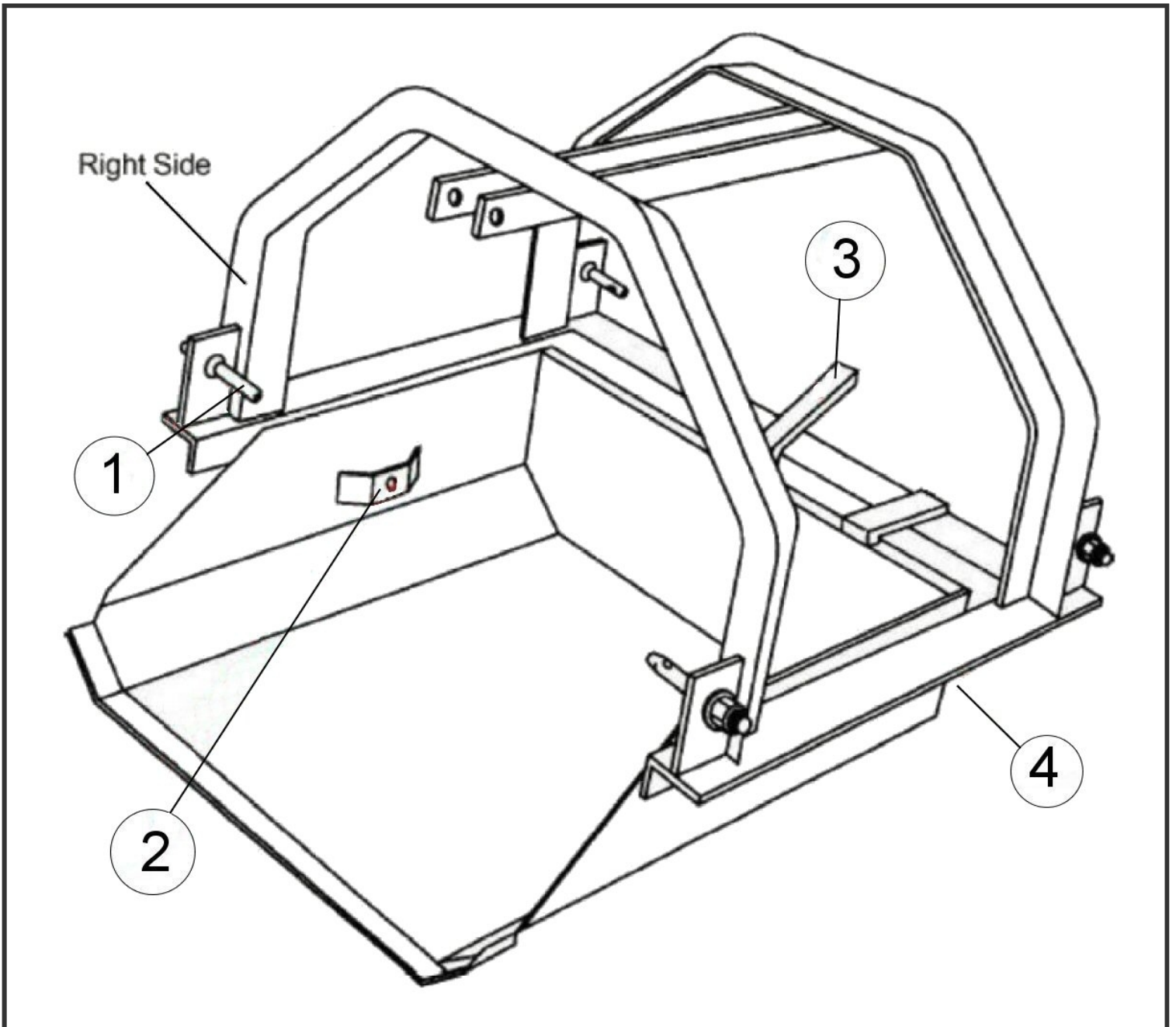
Ref. No.	Part #			
	Model #	DEG-60	DEG-72	DEG-84
1	Lift Pins CAT. 1 (Pk. 2)	500001	500001	500001
2	60" Cutting Edge	188015		
2	72" Cutting Edge		188025	
2	84" Cutting Edge			188030
3	Lift Arm	360646	360646	360646
4	Lift Arm Brace	360647	360647	360647
5	Skid Shoes	360645	360645	360645
6	Cutting Edge Bolt Set 9 Pk.	503001	503001	503001
7	Spacer Kit	501080	501080	501080
8	Skid Shoe Bolt Set (7 PK)	503008	503008	503008

3-POINT KULTIPACKER



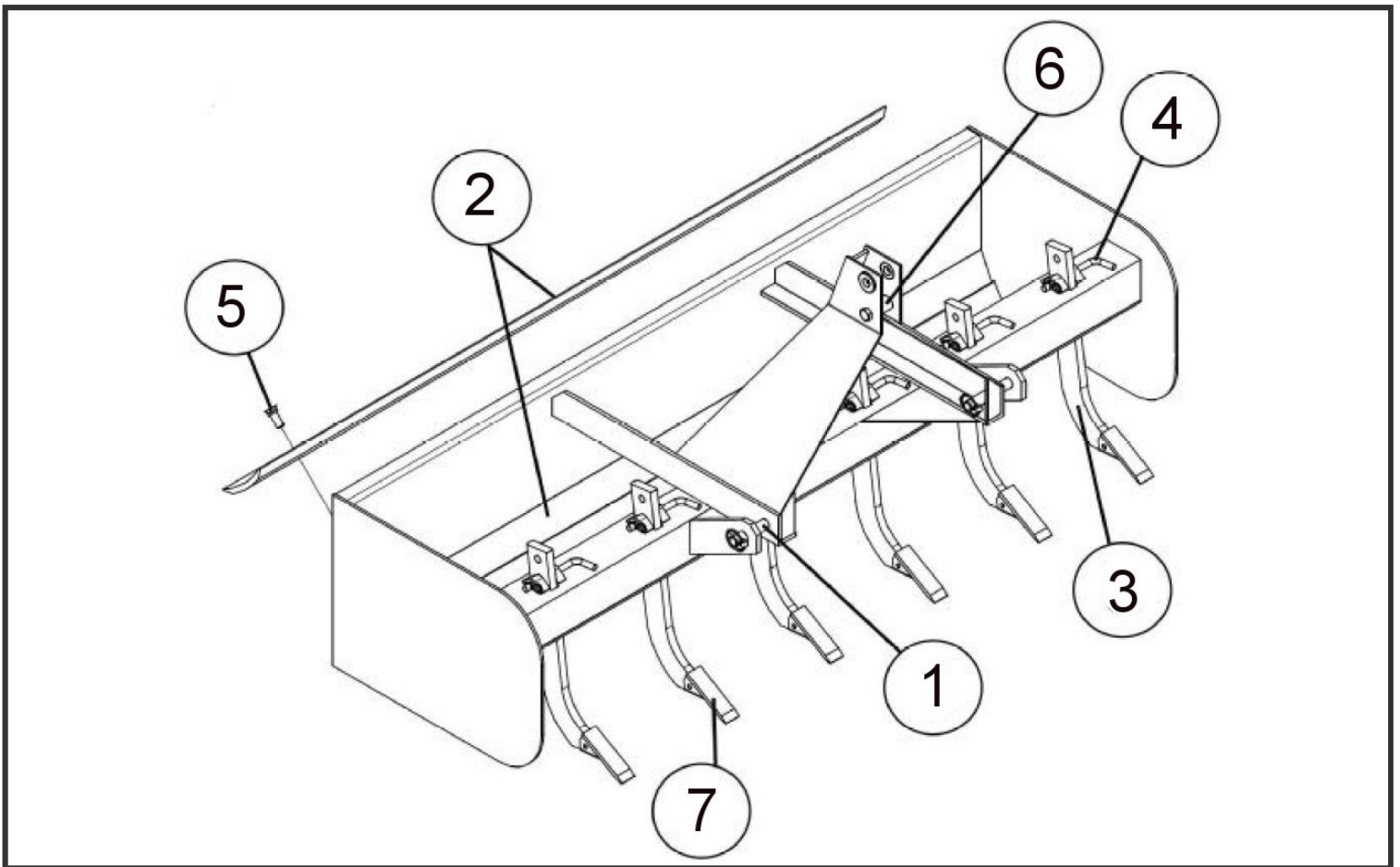
Ref. No.		Part #
	Model #	KP-72-L
1	Lift Pin CAT. 1 (2-PK)	500001
2	Brace Strap	360611
3	Lift Arm	360621
4	Side Lift Arm Brace	360632
5	Lift Arm Brace	360622
6	Stand	401240
7	Bearing & Flange Pkg. (1-Bearing, 2-Flanges & Bolts)	502705
8	Kultipacker Wheel	171021
9	Wheel Spacer Pkg.	502700
10	Roller Axle	360633
11	Spacer Pkg.	501070

DIRT SCOOP



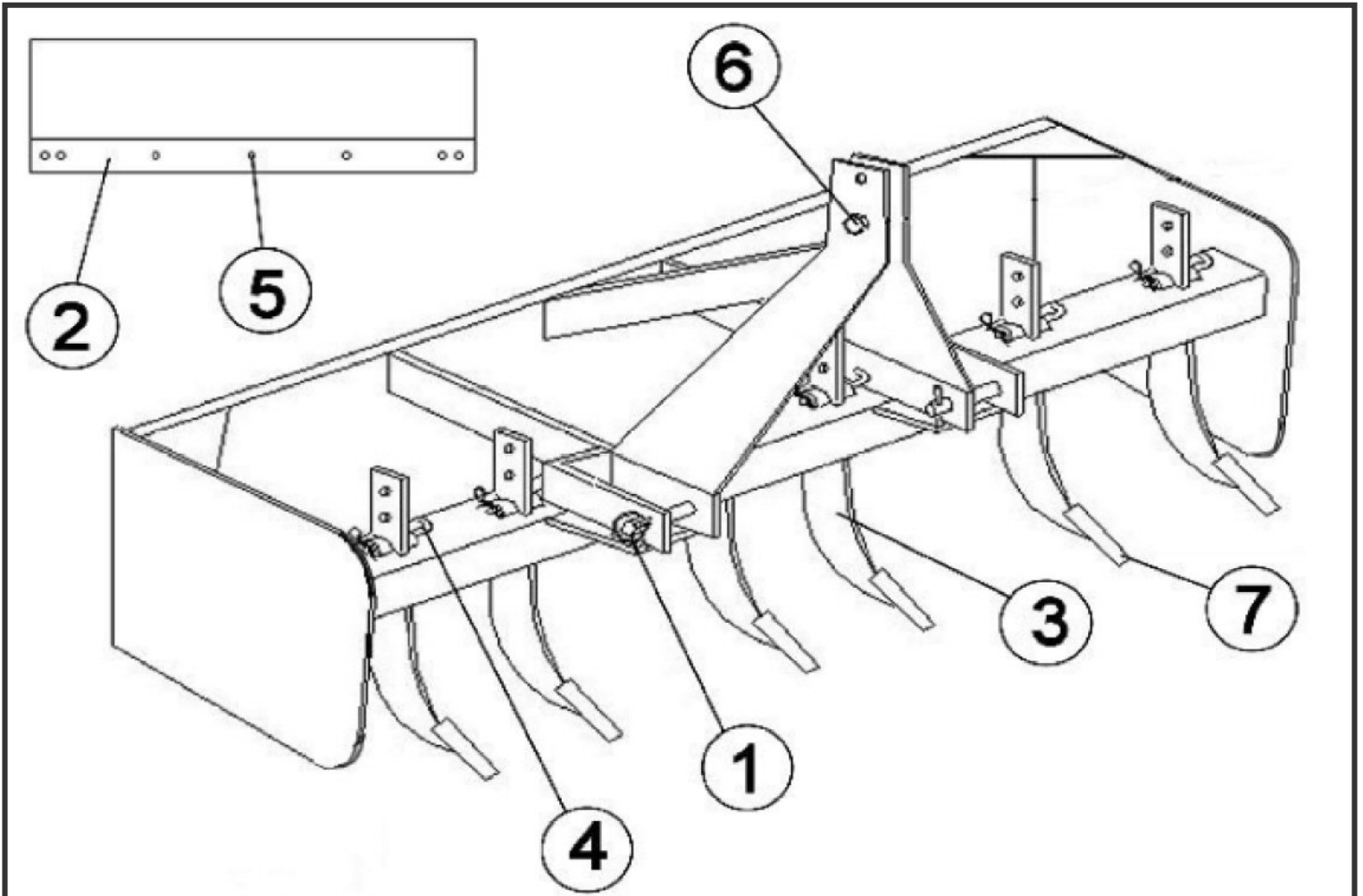
Ref. No.	Model #	Part #
	Model #	DS-30
1	(CAT. 1) Lift Pins (Pkg. 2)	500001
2	Hinge Pin	505003
3	Frame Latch Handle	325035
4	Latch Roller Assembly <i>(not shown)</i>	505001

BOXBLADE (NEW BB SERIES)



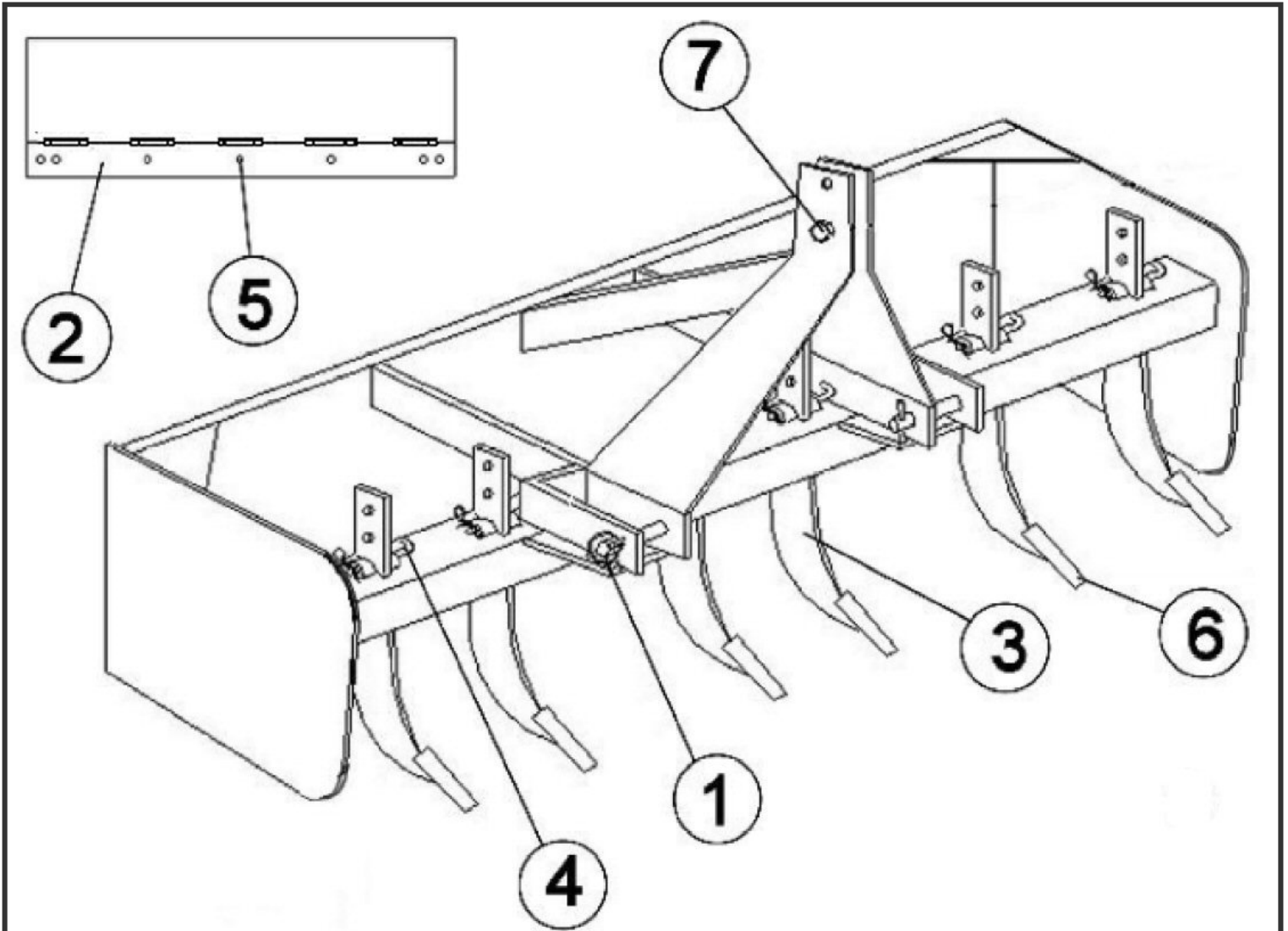
Ref. No.	Model #	Part #					
		BB-48	BB-60	BB-66	BB-72	BB-84	BB-96
1	(CAT. 1) Straight Lift Pins (Pkg. 2)	500007	500007	500007	500007	500007	500007
2	48" Cutting Edge	188005					
2	60" Cutting Edge		188015				
2	66" Cutting Edge			188020			
2	72" Cutting Edge				188025		
2	84" Cutting Edge					188030	
2	96" Cutting Edge						188035
3	Ripper Shank /w Tooth	120001	120001	120001	120001	120001	120001
4	"L" Pin /w Hair Pin (4pk)	503501	503501	503501	503501	503501	503501
5	Cutting Edge Bolt Set (9pk)	503001	503001	503001	503001	503001	503001
6	Lift Arm Spacer Kit	501090	501090	501090	501090	501090	501090
7	Tooth (Weld on)	174010	174010	174010	174010	174010	174010

PROFESSIONAL BOX BLADE



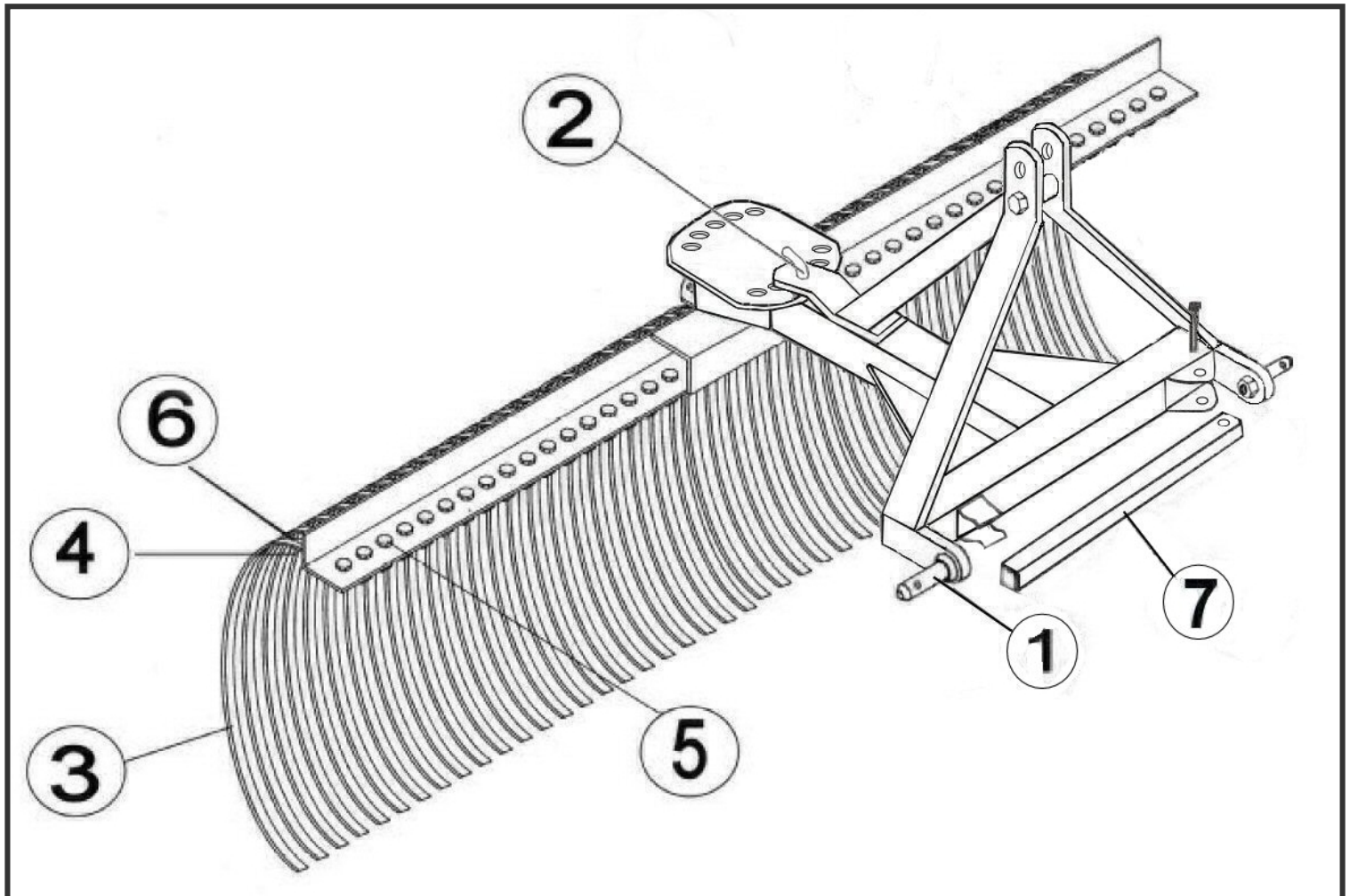
Ref. No.	Model #	Part #					
		BB-G-48	BB-G-60	BB-G-66	BB-G-72	BB-G-84	BB-G-96
1	(CAT. 1 Straight) Lift Pins (Pkg. 2)	500007	500007	500007	500007	500007	500007
2	48" Cutting Edge	188005					
2	60" Cutting Edge		188015				
2	66" Cutting Edge			188020			
2	72" Cutting Edge				188025		
2	84" Cutting Edge					188030	
2	96" Cutting Edge						188035
3	Ripper Shank w/ Tooth	120001	120001	120001	120001	120001	120001
4	"L" Pin w/ Hair Pin	503501	503501	503501	503501	503501	503501
5	Cutting Edge Bolt Set (9pk)	503001	503001	503001	503001	503001	503001
6	Lift Arm Spacer Kit	504500	504500	504500	504500	504500	504500
7	Tooth (Weld on)	174010	174010	174010	174010	174010	174010

HINGED BACK BOX BLADE



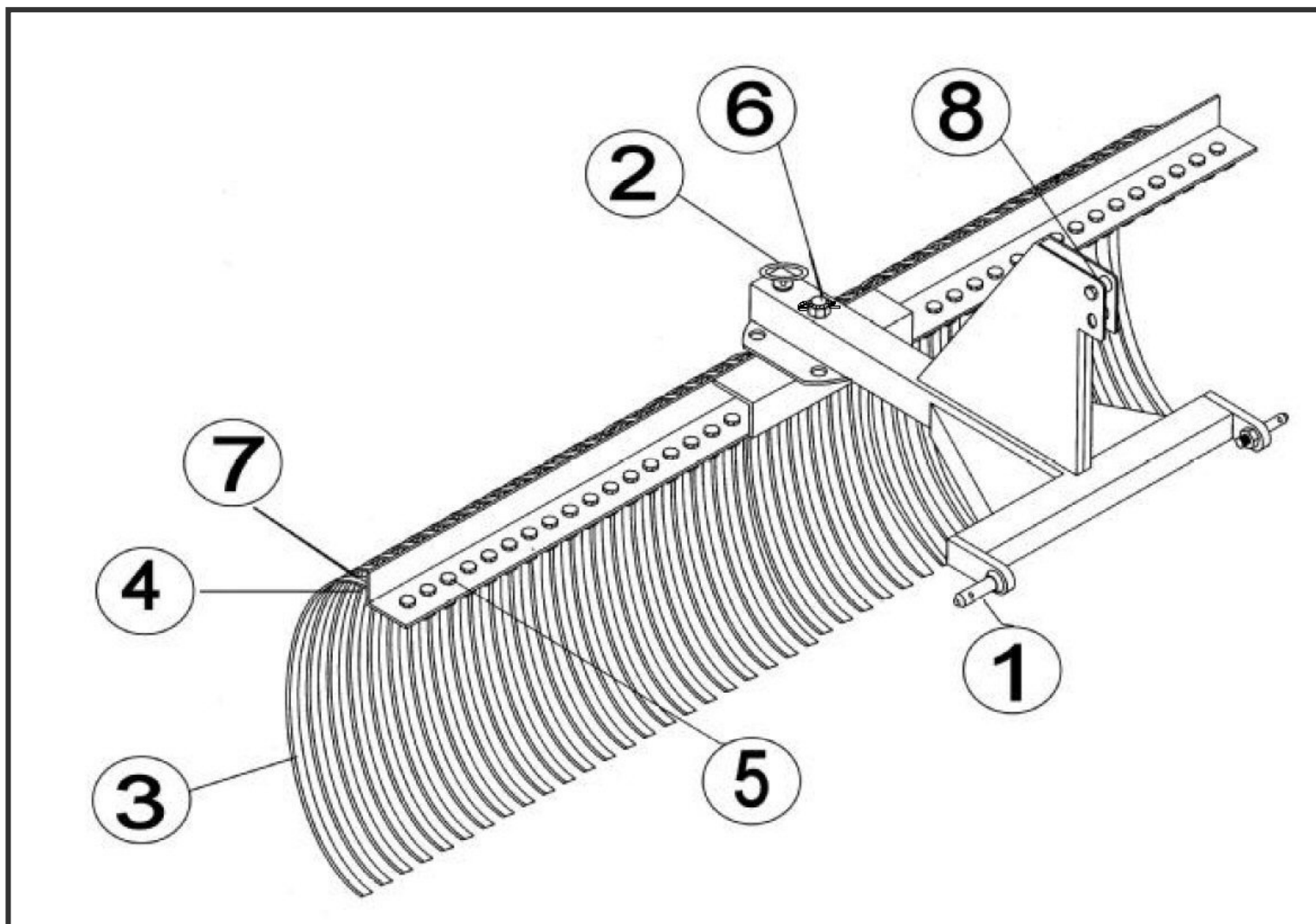
Ref. No.	Model #	Part #			
		H-BB-60	H-BB-72	H-BB-84	H-BB-96
1	(CAT. 1) Straight Lift Pins (Pkg. 2)	500007	500007	500007	500007
2	60" Cutting Edge	188015			
2	72" Cutting Edge		188025		
2	84" Cutting Edge			188030	
2	96" Cutting Edge				188035
3	Ripper Shank /w/ Tooth	120001	120001	120001	120001
4	"L" Pin /w/ Hair Pin (4pk)	503501	503501	503501	503501
5	Cutting Edge Bolt Set (9pk)	503001	503001	503001	503001
6	Tooth (Weld on)	174010	174010	174010	174010
7	5/8" X 4-1/2" Lift Arm Spacer Kit	504500	504500	504500	504500

TUBULAR FRAME YARD RAKE (TYR SERIES)



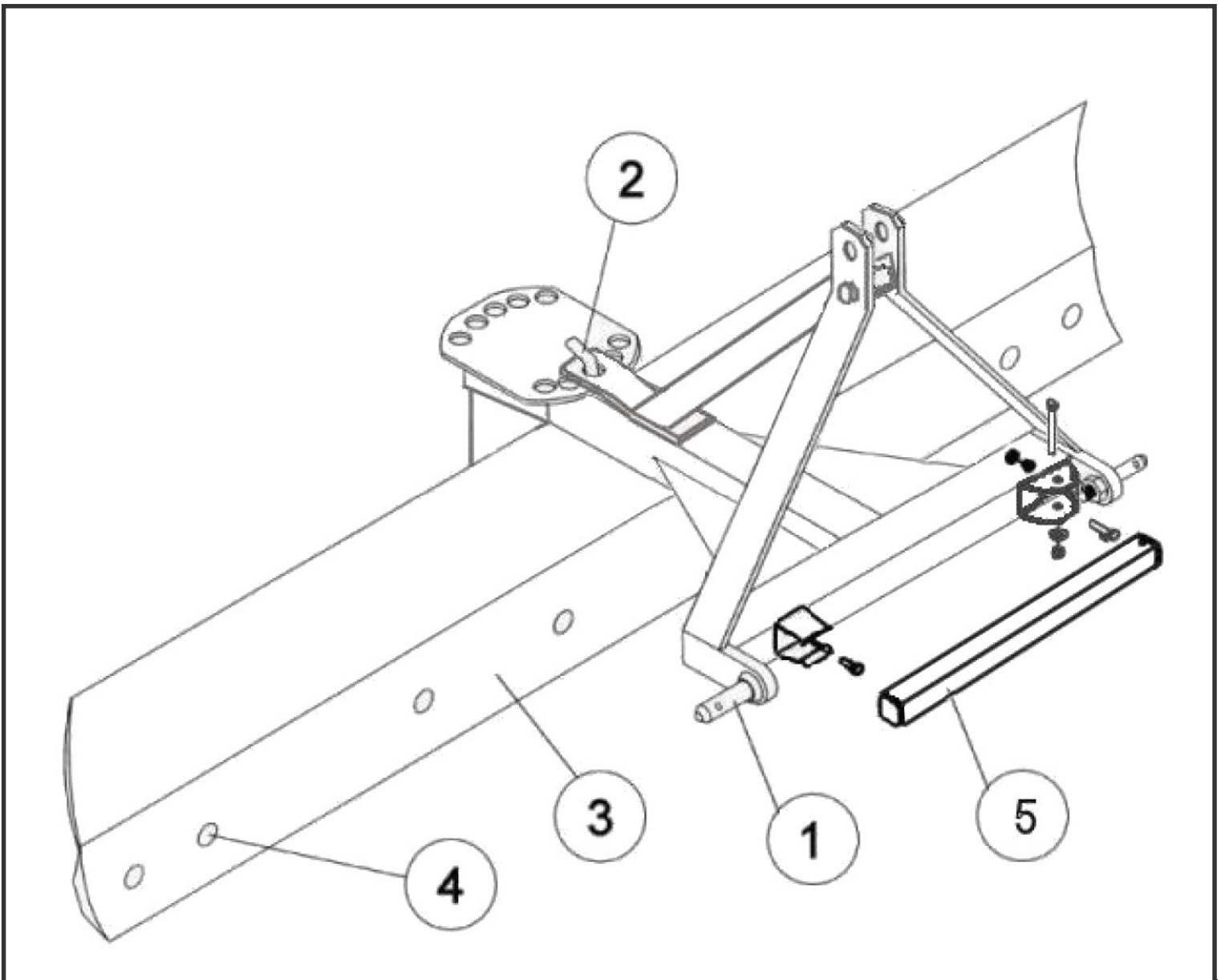
Ref. No.	Model #	Part #			
		TYR-60	TYR-72	TYR-84	TYR-96
1	(CAT. 1) Lift Pins (Pkg. 2)	500001	500001	500001	500001
2	Index Pin	340065	340065	340065	340065
3	Tines (Pkg. 5)	503005	503005	503005	503005
4	60" Strap	350063			
4	72" Strap		350064		
4	84" Strap			350065	
4	96" Strap				350066
5	3/8" X 1-1/4" Bolt	N/A	N/A	N/A	N/A
6	3/8" X 1-1/4" Bolt	N/A	N/A	N/A	N/A
7	Parking Stand	503200	503200	503200	503200

PROFESSIONAL LANDSCAPE RAKE



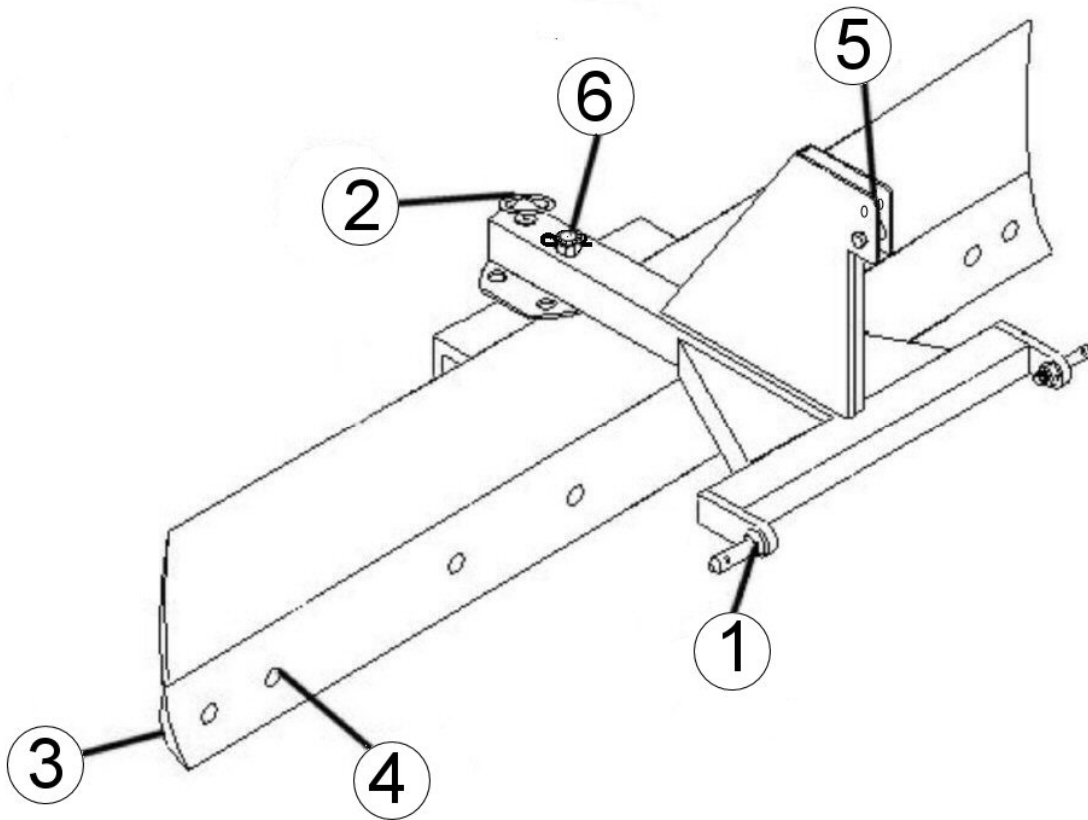
Ref. No.	Model #	Part #			
		YR-G-60	YR-G-72	YR-G-84	YR-G-96
1	(CAT. 1) Lift Pins (Pkg. 2)	500001	500001	500001	500001
2	Index Pin	194110	194110	194110	194110
3	Tines (Pkg. 5)	503005	503005	503005	503005
4	60" Strap	350063			
4	72" Strap		350064		
4	84" Strap			350065	
4	96" Strap				350066
5	3/8" X 1-1/4" Bolt	N/A	N/A	N/A	N/A
6	Mounting Bolt Pkg. (1-1/4" X 5-1/2" GR. 8 Bolt, Nut, Cotter Pin)	504160	504160	504160	504160
7	3/8" x 1-1/4" Bolt	N/A	N/A	N/A	N/A
8	Spacer Kit	504500	504500	504500	504500

TUBULAR FRAME REAR BLADE (TRB SERIES)



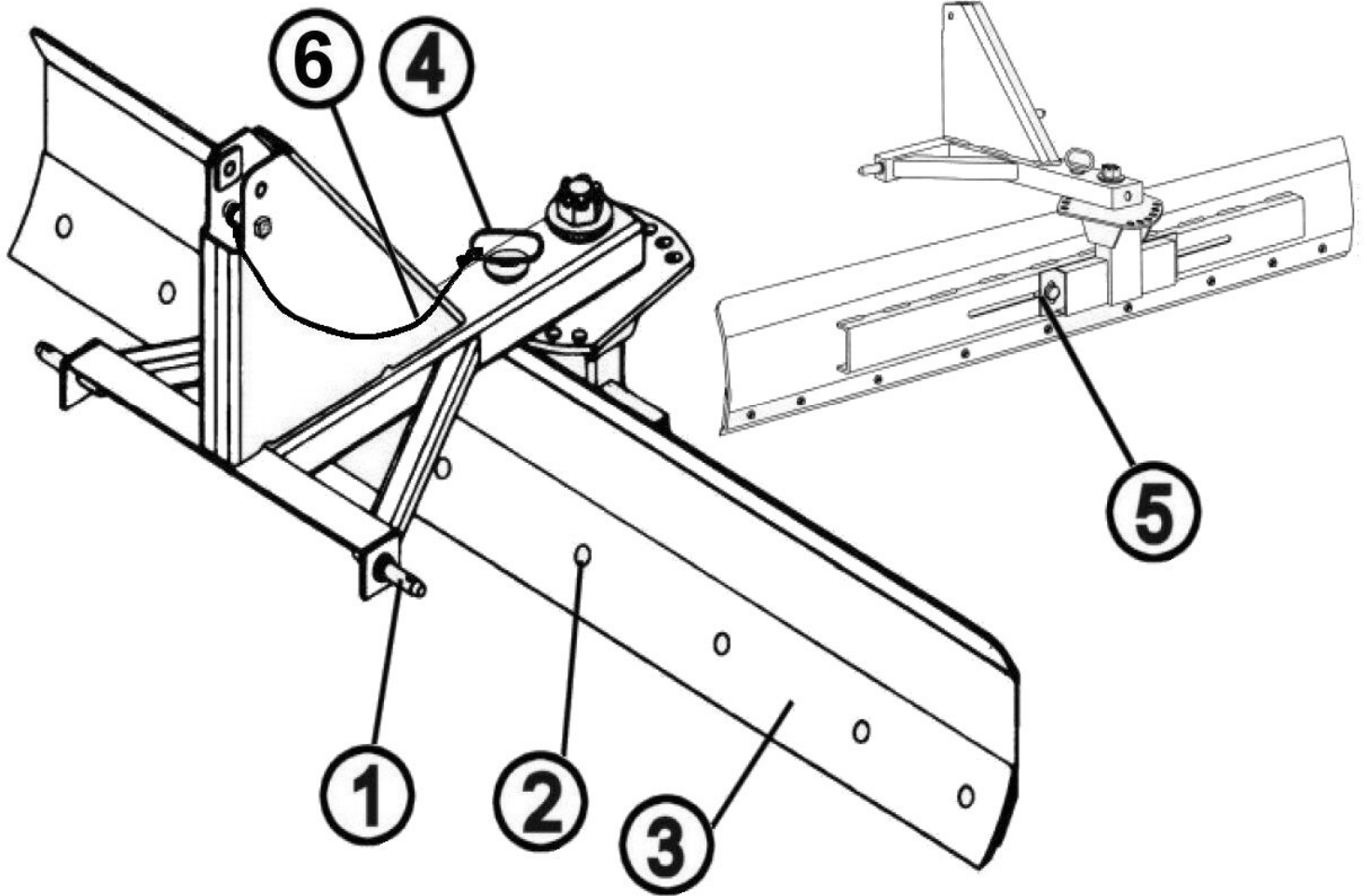
Ref. No.	Model #	Part #		
		TRB-60	TRB-72	TRB-84
1	(CAT. 1) Lift Pins (Pkg. 2)	500001	500001	500001
2	Index Pin	340065	340065	340065
3	60" Cutting Edge	188015		
3	72" Cutting Edge		188025	
3	84" Cutting Edge			188030
4	Cutting Edge Bolt Set (9pk)	503001	503001	503001
5	Parking Stand	503200	503200	503200

PROFESSIONAL REAR BLADE



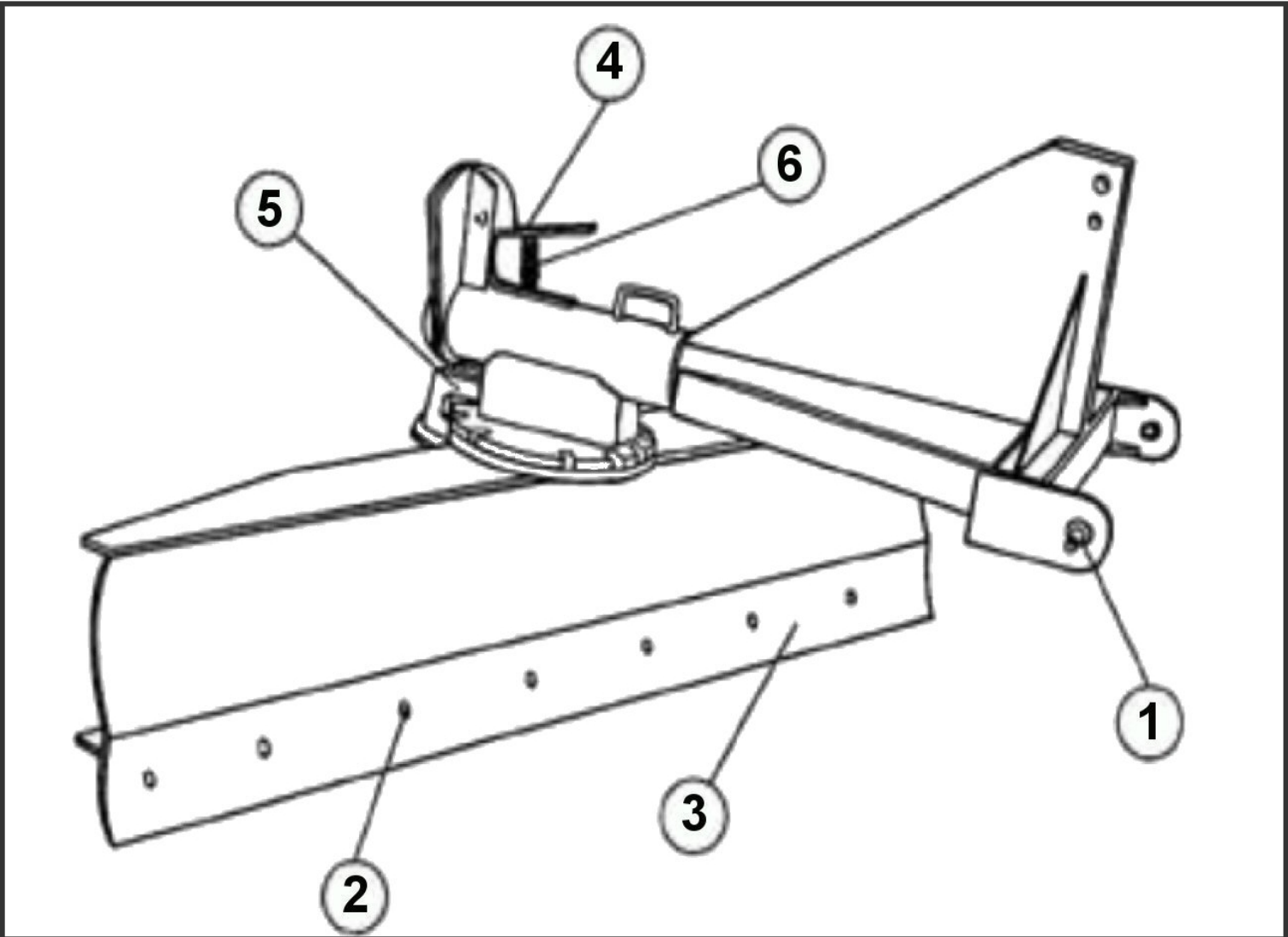
Ref. No.	Model #	Part #		
		RB-G-60	RB-G-72	RB-G-84
1	(CAT. 1) Lift Pins (Pkg. 2)	500001	500001	500001
2	Index Pin	194110	194110	194110
3	60" Cutting Edge	188015		
3	72" Cutting Edge		188025	
3	84" Cutting Edge			188030
4	Cutting Edge Bolt Set (9pk)	503001	503001	503001
5	Lift Arm Spacer Kit	504500	504500	504500
6	Mounting Bolt Pkg. (1-1/4" X 5-1/2" GR. 8 Bolt, Nut, Cotter Pin)	504160	504160	504160

PROFESSIONAL REAR BLADE (PRB SERIES)



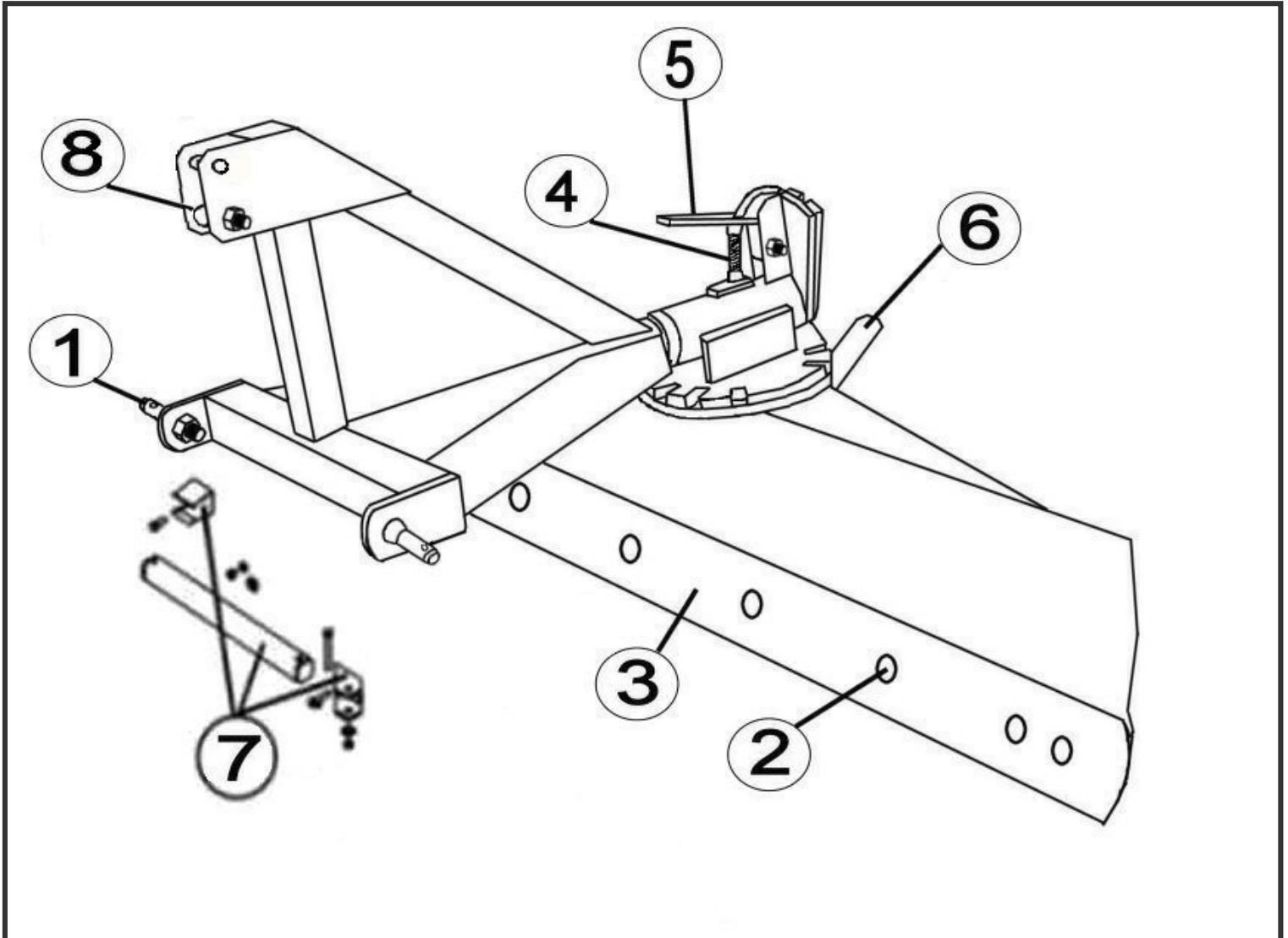
Ref. No.	Part #			
	Model #	PRB-72	PRB-84	PRB-96
1	(CAT. 1) Lift Pins (Pkg. 2)	500001	500001	500001
2	Cutting Edge Bolt Set (9pk)	503001	503001	503001
3	72" Cutting Edge	188025		
3	84" Cutting Edge		188030	
3	96" Cutting Edge			188035
4	Index Pin Pkg.	194110	194110	194110
5	Slide Assembly	503600	503600	503600
6	Cable Pkg.	504525	504525	504525

HEAVY DUTY REAR BLADE (HDRB SERIES)



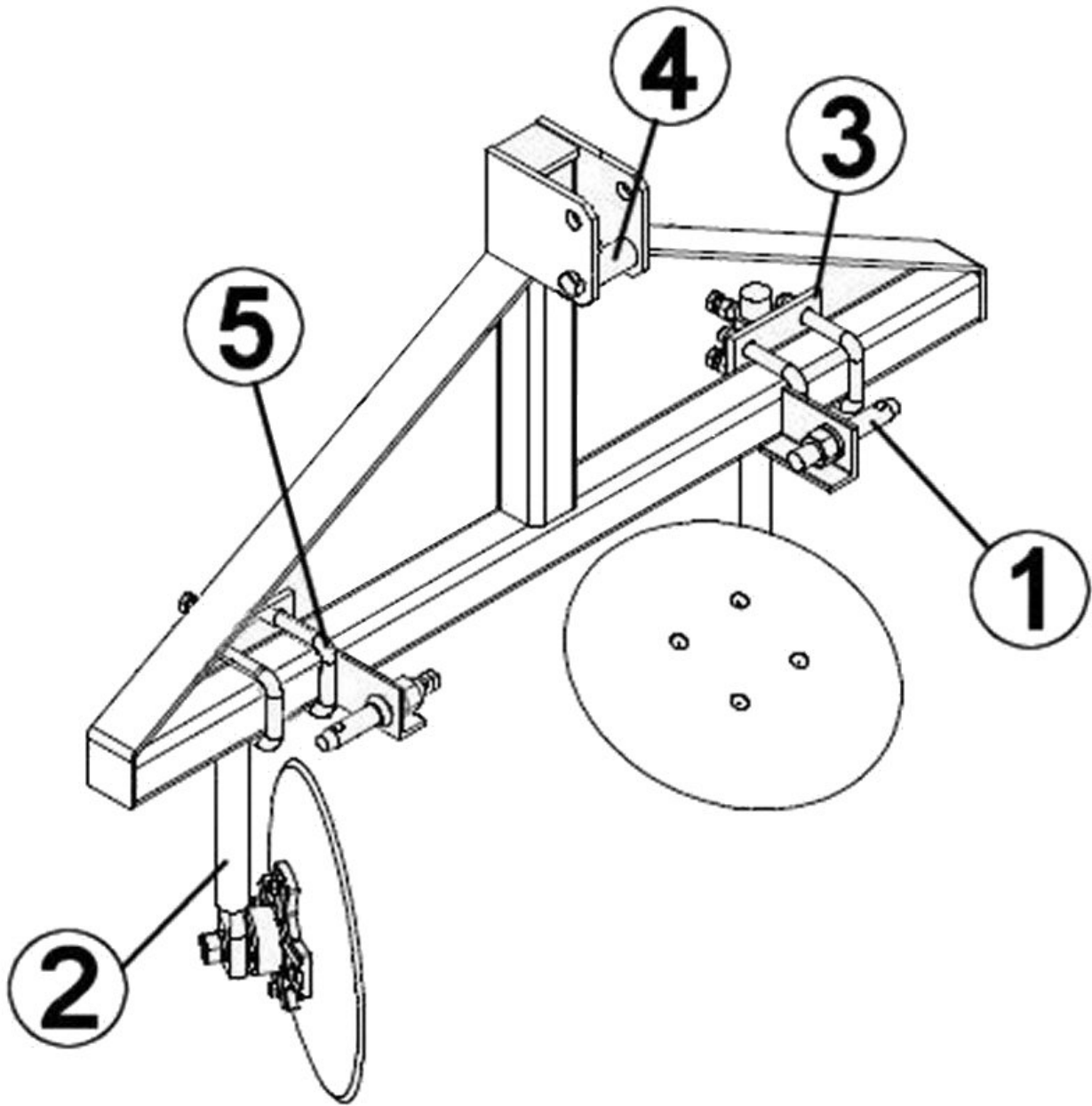
Ref. No.	Model #	Part #		
		HD-RB-72	HD-RB-84	HD-RB-96
1	(CAT. 1) Lift Pins (Pkg. 2)	500001	500001	500001
2	Cutting Edge Bolt Set (9pk)	503001	503001	503001
3	72" Cutting Edge	188025		
3	84" Cutting Edge		188030	
3	96" Cutting Edge			188035
4	Top Latch Assembly	401041	401041	401041
5	Bottom Latch Assembly	401042	401042	401042
6	HD RB Spring (2/Pk)	503225	503225	503225

RB-84-QAT



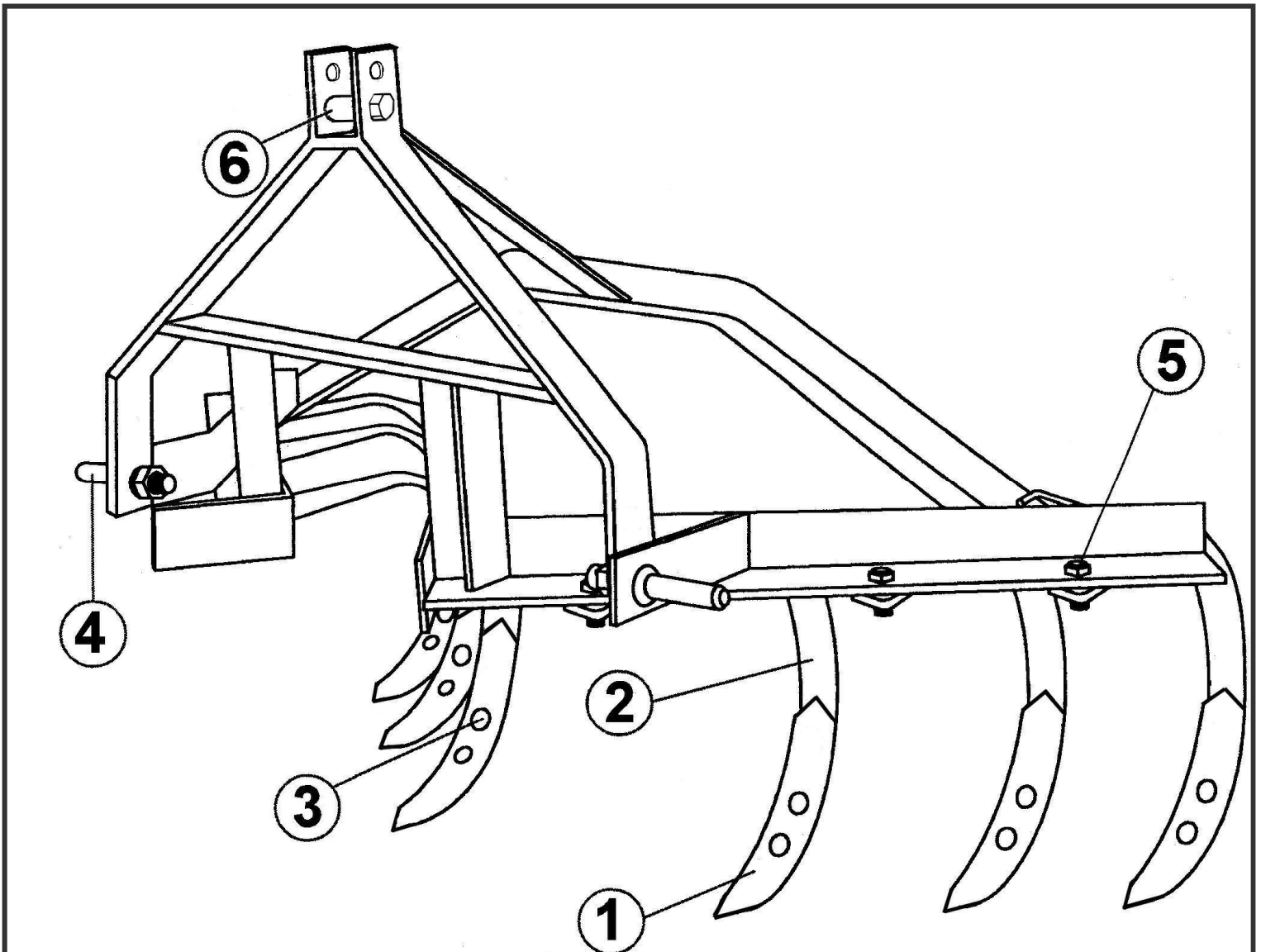
Ref. No.	Model #	Part #
		RB-84-QAT
1	Lift Pins Cat. 1 (Pk. 2)	500001
2	Cutting Edge Bolt Set 9 Pk.	503001
3	84" Cutting Edge	188030
4	HD RB Spring (2/Pk)	503225
5	Top Latch Assembly	401056
6	Bottom Latch Assembly	401057
7	Support Stand	503200
8	Spacer Kit	504510

DISC BEDDER



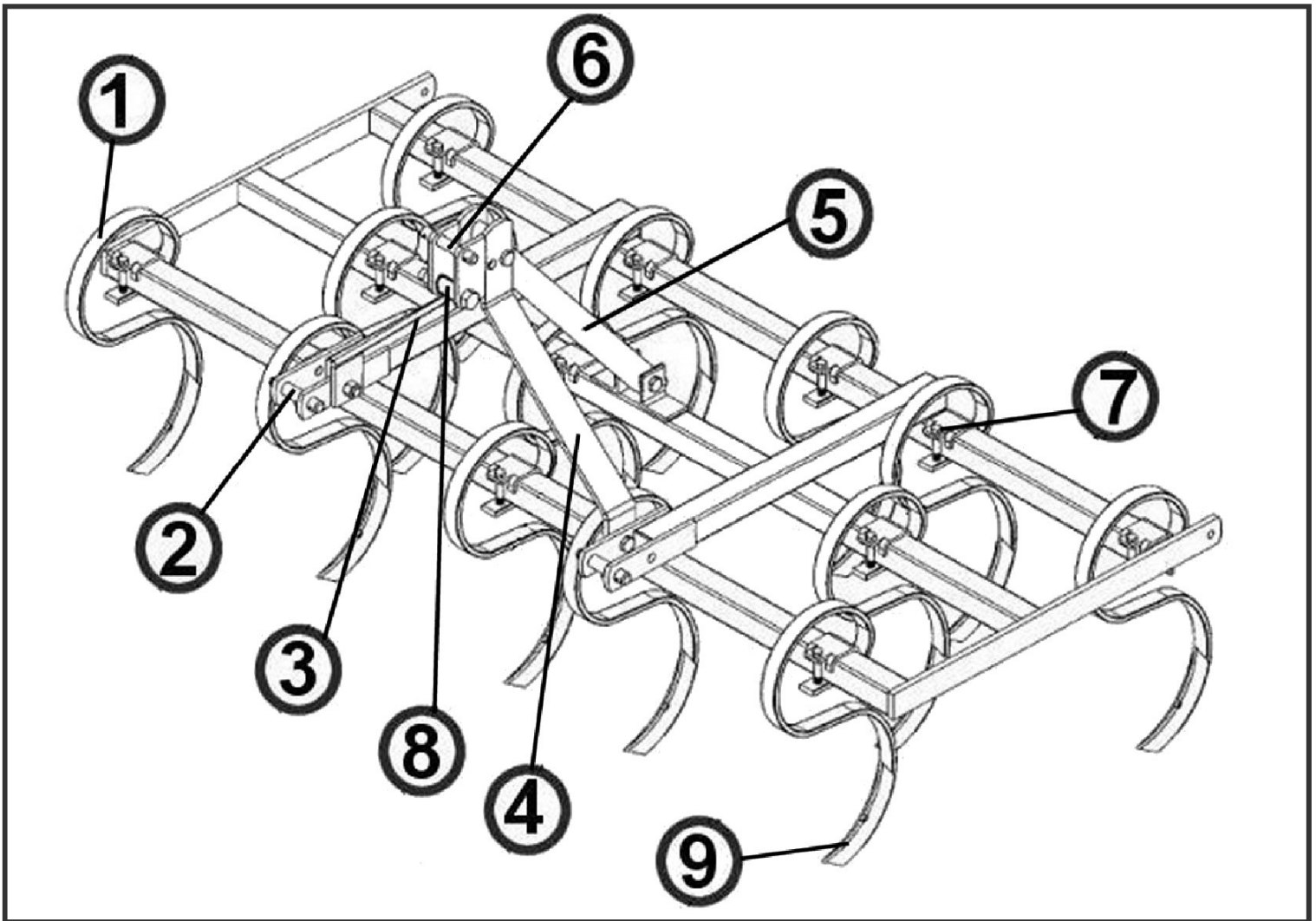
Ref. No.	Model #	Part #
1	Lift Pin Pkg. CAT. 1	500001
2	Disc & Shank Assembly	191250
3	Shank Holder Plate w/ Locking Bolts	507010
4	Spacer Pkg.	507011
5	U-Bolt Pkg. (Pkg of 4)	507012

ONE ROW CULTIVATOR



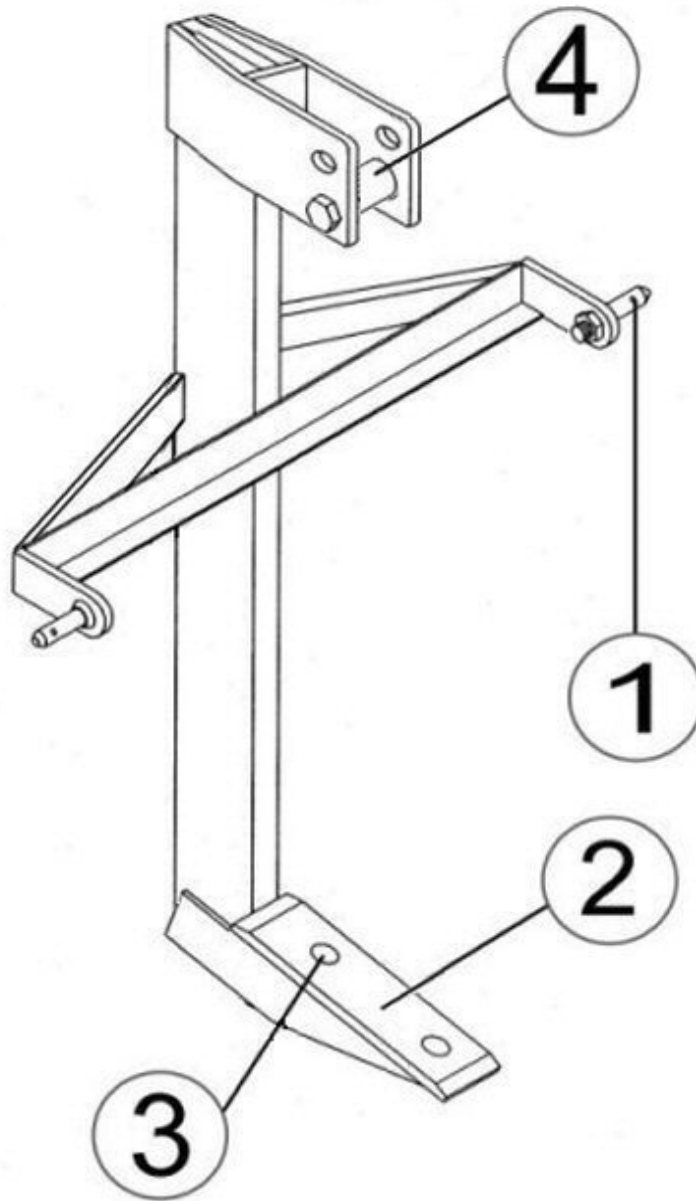
Ref. No.	Model #	Part #
		CV-G-1-C
1	"C" Tines Points (6/pk)	572005
2	"C" Tine (Pkg. 2)	571005
3	7/16" x 1-1/4" Tine Bolt Set (Pkg. 6)	503003
4	(CAT. 1) Lift Pins (Pkg. 2)	500001
5	Bolt 1/2" X 1-1/2"	N/A
6	Spacer Kit	504500

FIELD CULTIVATOR



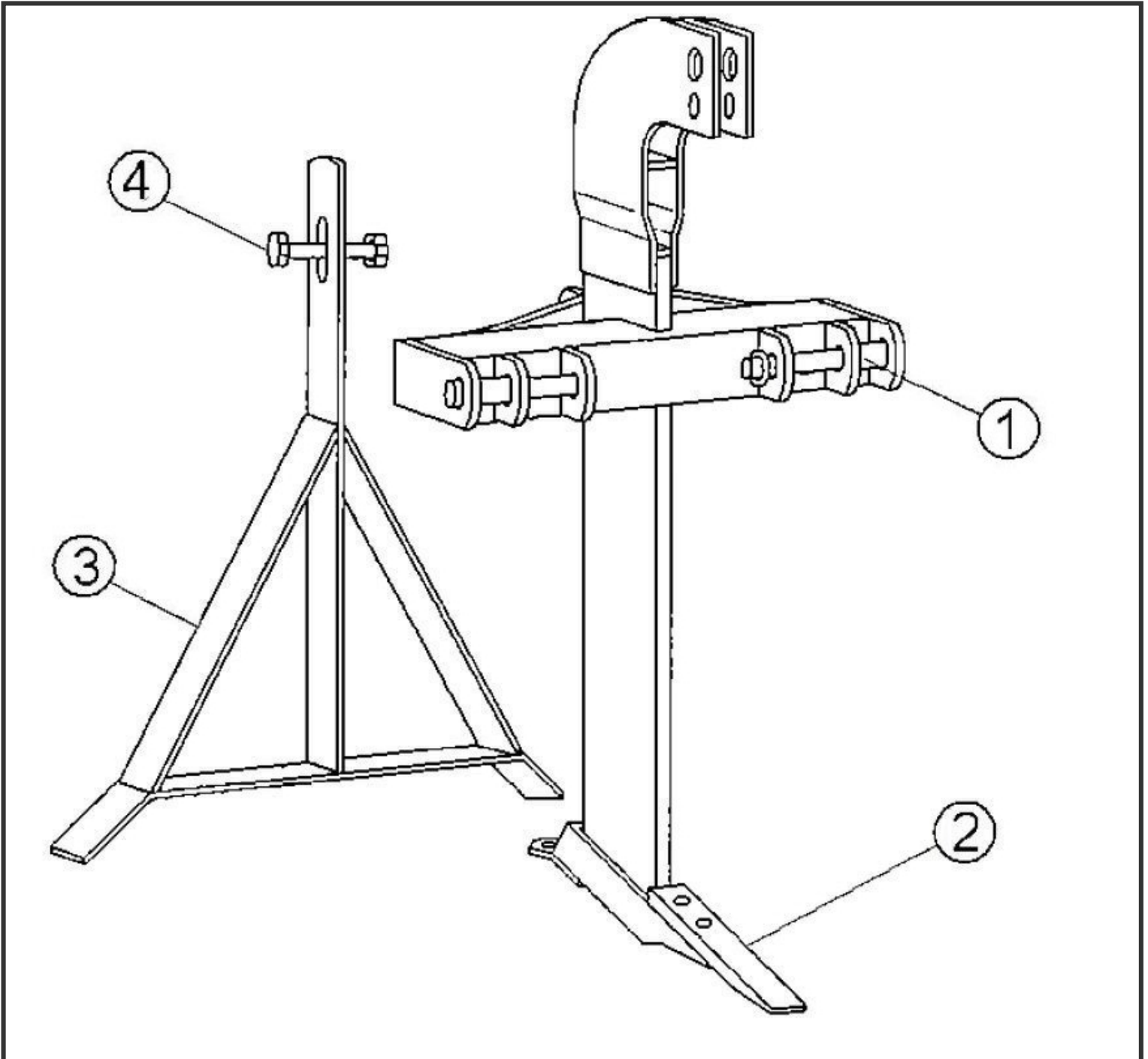
Ref. No.	Model #	Part #
		FCV-72-D
1	Field Cultivator Tine Set	573005
2	Hitch Pin w/ Hairpin (Pkg. 2)	573010
3	Lift Arm Assembly (RH)	404796
4	Lift Arm Assembly (LH)	404797
5	Lift Arm Brace	390356
6	Top Link Pin w/ Hairpin Pkg.	573015
7	Danish Tine Mounting Bracket	905007
8	Lift Arm Spacer Pipe	390221
9	Tine Point Set (Pkg. 5)	502502

SUBSOILER



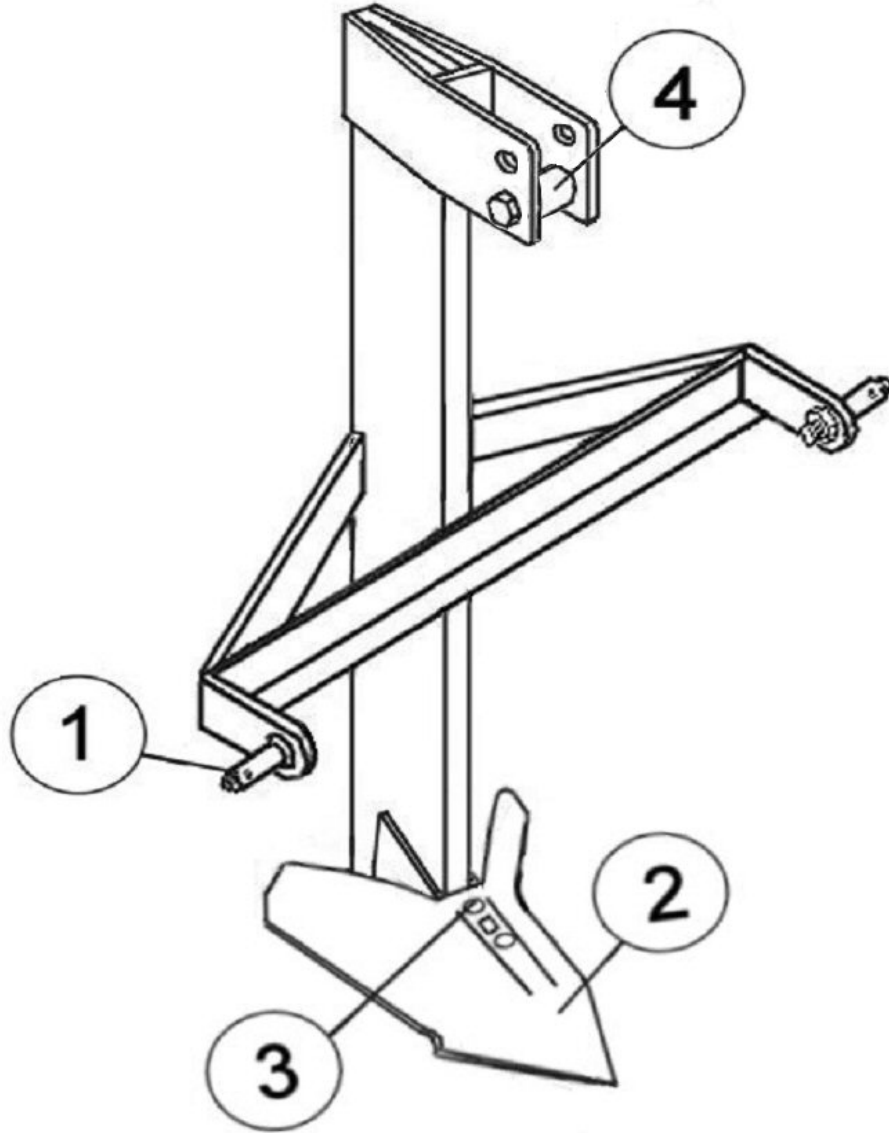
Ref. No.	Model #	Part #
	SUB	
1	(CAT. 1) Lift Pins (Pkg. 2)	500001
2	Subsoiler Point	177006
3	7/16" x 2" Plow Bolt Set (Pkg. 2)	503004
4	Spacer Kit	504500

HD SUBSOILER PARTS



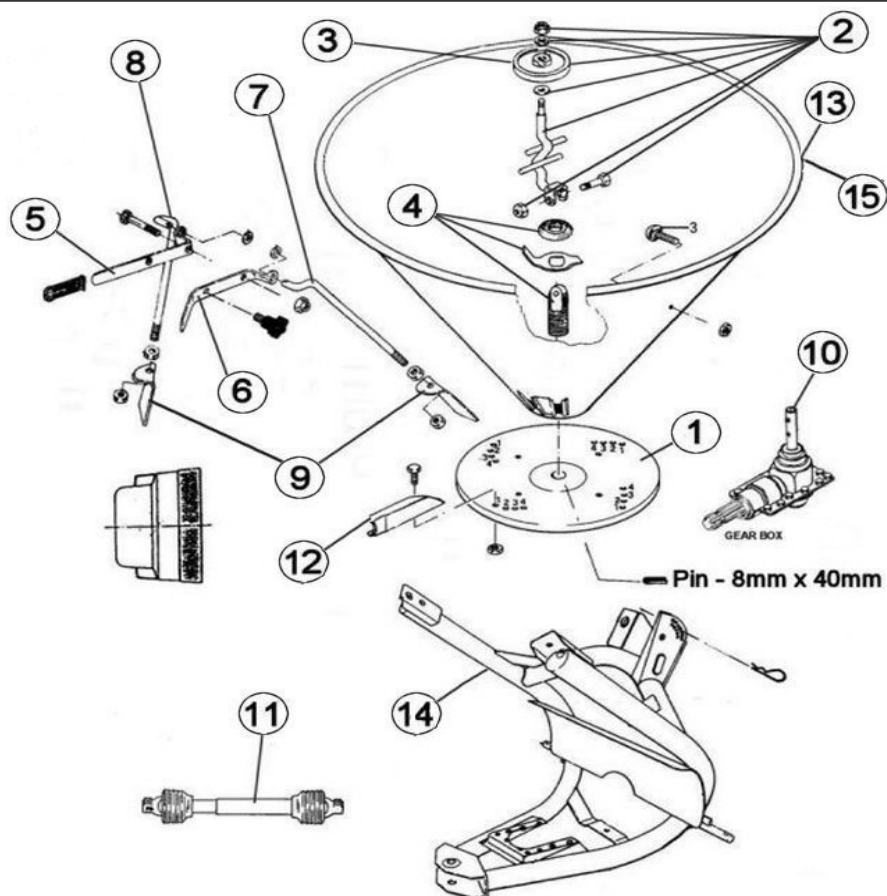
Ref. No.	Model #	Part #
1	(CAT. 1 to 2) Lift Pins (Pkg. 2)	500003
2	Subsoiler Point & Bolt Pkg.	601453
3	Stand	404743
4	5/8" X 3 Bolt & 5/8" Locknut	NA

MIDDLE BUSTER



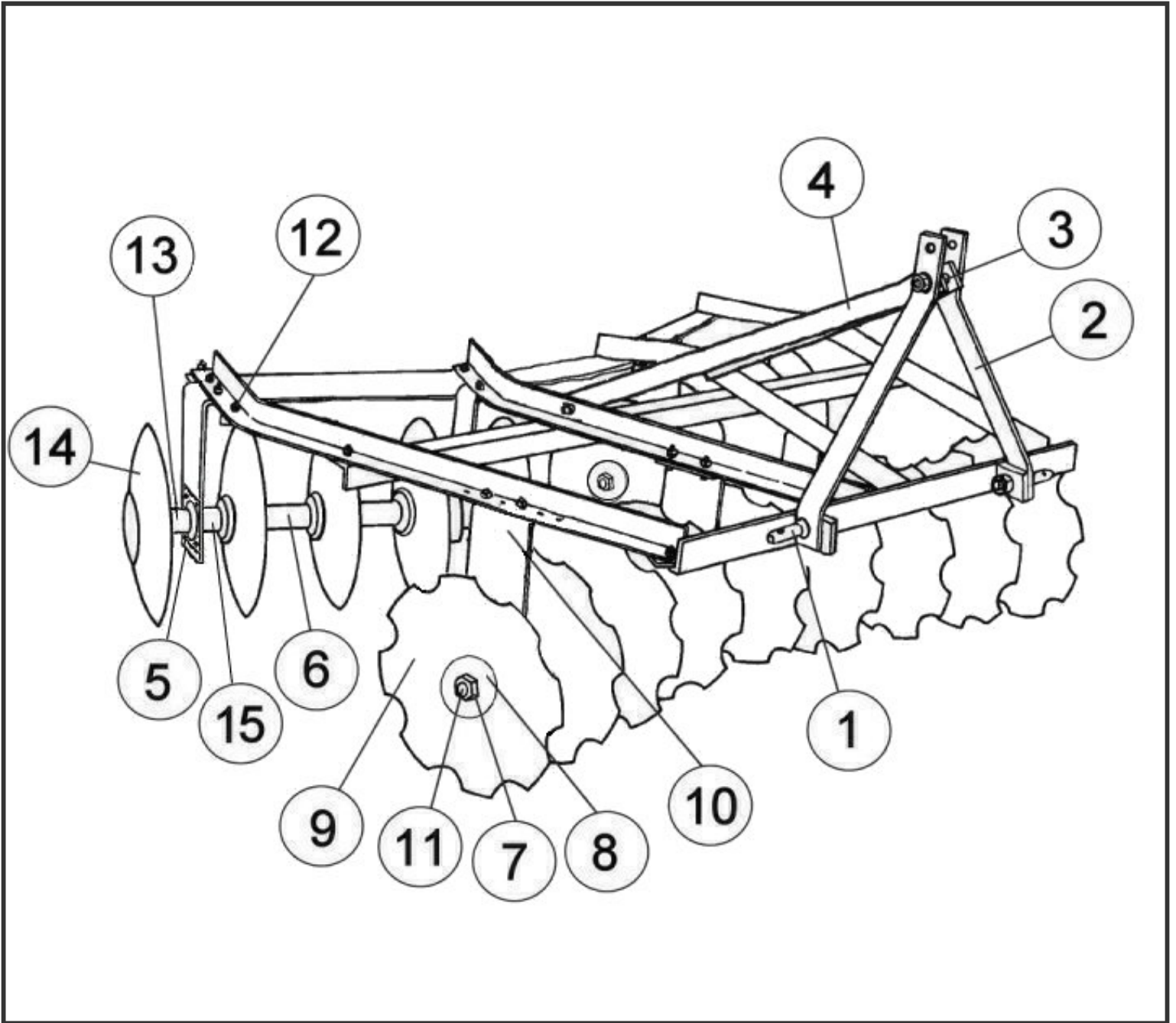
Ref. No.	Model #	Part #
	MB	
1	(CAT. 1) Lift Pins (Pkg. 2)	500001
2	Furrower	177005
3	7/16" x 4" Carriage Bolt Set (Pkg. 2)	503002
4	Spacer Kit	504500

S-400 & S-500 SEEDERS



Ref. No.	Model #	Part #
1	Spreader Disc W/Vanes	900004
2	Agitator	900138
3	Buffer Wheel	900005
4	Lower Agitator Kit	509000
5	LH Shutter Lever	900120
6	RH Shutter Lever	900122
7	RH Lever Tie Rod	900123
8	LH Lever Tie Rod	900121
9	Shutters (1-Left & 1- Right)	509001
10	Gearbox	900110
11	20" PTO Shaft	147020
12	Distributor Vanes (PK of 4)	509002
13	S-500 Steel Hopper	900133
14	Seeder Frame	900135
15	S-400 Poly Hopper	900134

ANGLE FRAME DISC

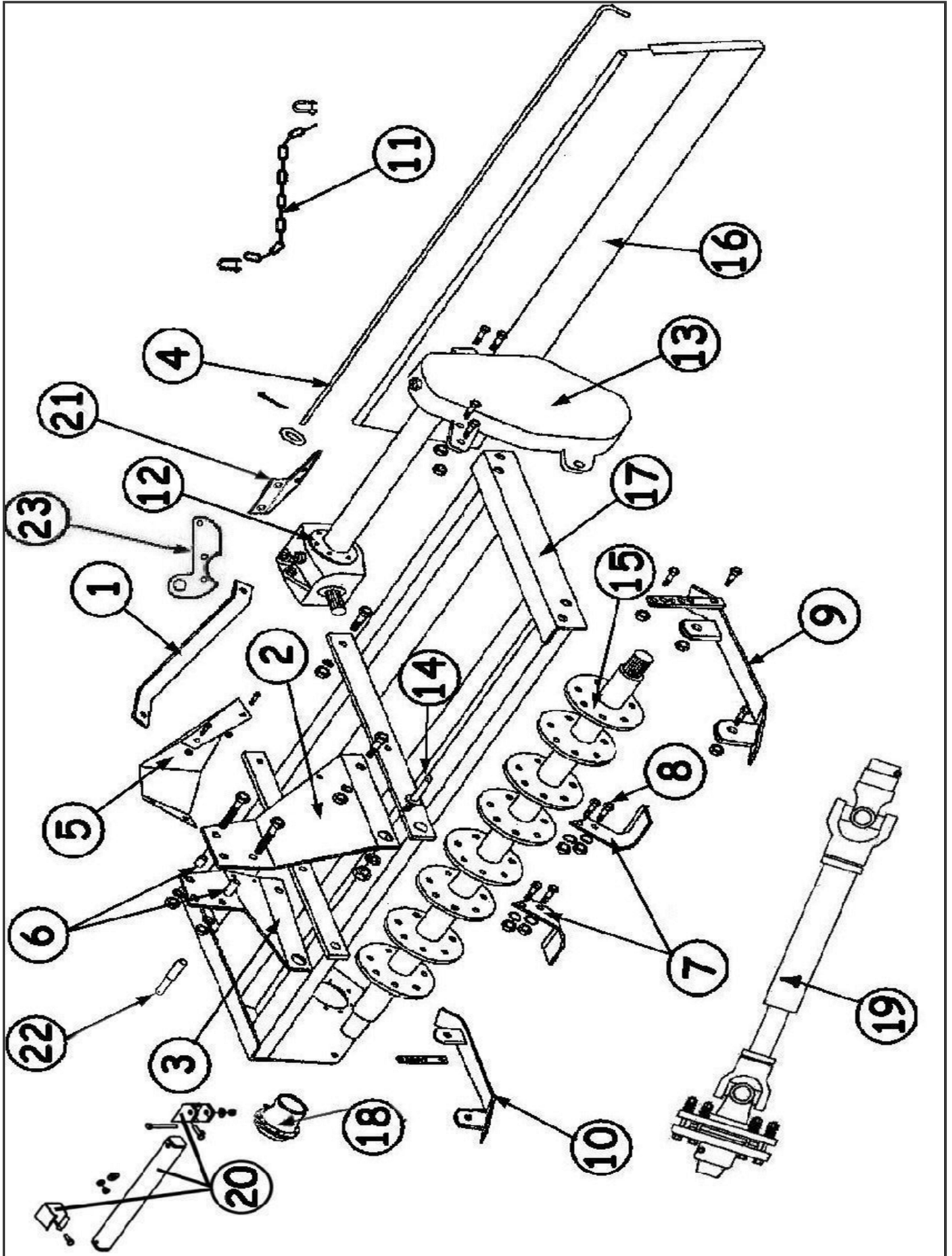


Ref. No.	Model #	Part #		
		16-12-G-SB-C 16-12-G-SB-N 16-12-G-SB-P	16-16-G-SB-C 16-16-G-SB-N 18-16-G-SB-C 18-16-G-SB-N	16-20-G-SB-C 16-20-G-SB-N 16-20-G-SB-P 18-20-G-SB-C 18-20-G-SB-N
	Disc Size	4-1/2'	5-1/2'	6-1/2'
1	(CAT. 1) Lift Pins (Pkg. 2)	500001	500001	500001
2	Lift Arm	360183	360183	360183
3	Lift Arm Spacer Kit	501090	501090	501090
4	Lift Arm Brace	360313	360180	360180
5	Sealed Bearings & Flanges	504125	504125	504125
6	Spacer	-	129500	129500
7	Locknuts 1" (4pk)	504280	504280	504280
8	Axle Washer	322005	322005	322005
9	Disc Blade 16" Notched	189216	189216	189216
9	Disc Blade 18" Notched	-	189218	189218
10	Bearing Stand	322063	322063	322063
11	Axle	401064	401065	401066
12	1/2" X 1-1/2" Bolts	NA	NA	NA
13	Spacer 3-5/8"	129550	129550	129550
14	Disc Blade 16" Plain	189116	189116	189116
14	Disc Blade 18" Plain	-	189118	189118
15	Spacer 2-3/8"	129525	129525	129525

Ref. No.	Model #	Part #		
		18-16-G-CBF 18-16-G-NBF	18-20-G-CBF 18-20-G-NBF 20-20-G-CBF 20-20-G-NBF	18-24-G-CBF 18-24-G-NBF 20-24-G-CBF 20-24-G-NBF
	Disc Size	5-1/2'	6-1/2'	7-1/2'
1	Straight (CAT. 1) Lift Pins (Pkg. 2)	500007	500007	500007
2	Lift Arm	360170	360170	360170
3	Lift Arm Spacer Kit	504500	504500	504500
4	Lift Arm Brace	360171	360171	360171
5	Plastic End Cap	124132	124132	124132
6	Sealed Bearings & Flanges	504125	504125	504125
7	Axle	178000	178005	178010
8	Locknuts 1" (4pk)	504280	504280	504280
9	Nut Washer 3-1/2"	129605	129605	129605
10	Spacer 7-1/2"	129500	129500	129500
11	Spacer 3-5/8"	129550	129550	129550
12	Bumper Washer 6-5/8"	129600	129600	129600
13	Bearing Stand	324055	324055	324055
14	Bearing Stand Bolt Pk (2-U Bolts, Nuts, Washers)	504099	504099	504099
15	Disc Blade 18" Notched	189218	189218	189218
15	Disc Blade 20" Notched	189220	189220	189220
16	Spacer 2-3/8"	129525	129525	129525
17	5/8" x 5" Bolt	NA	NA	NA
18	Slide Adjustment Bar	403027	403027	403027
19	Disc Blade 18" Plain	189118	189118	189118
19	Disc Blade 20" Plain	189120	189120	189120
20	Jam Nut Pkg. (4pk)	504285	504285	504285
21	OPTIONAL *Weight Kit (Bolts, Lock washers, Nuts, Drill Bit, Weight Bars)	504140	504145	504150

*Weight Kit available for when the ground is dry and harder than normal for tillage.

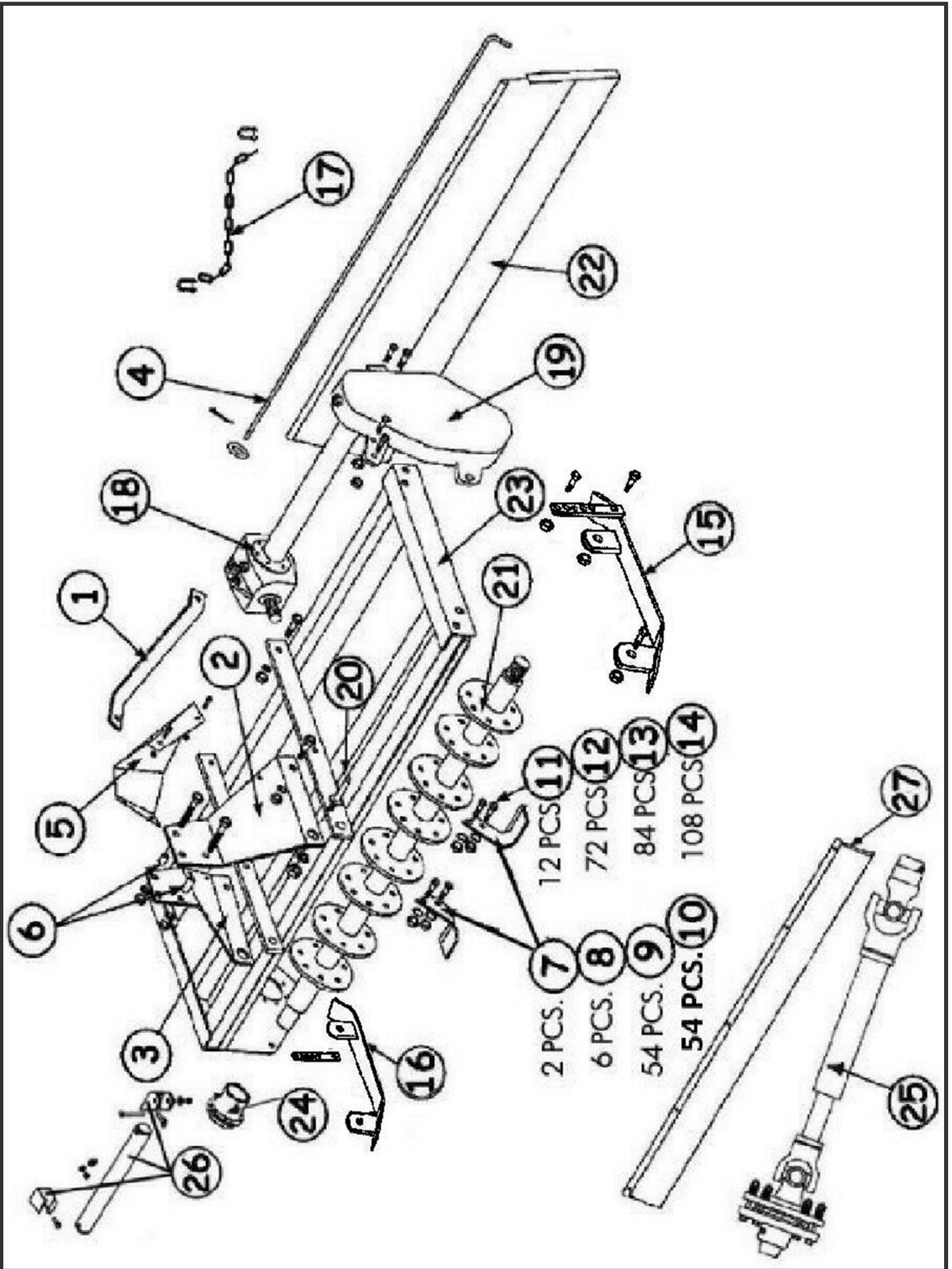
TILLER: EXPLODED VIEW



TILLER: PARTS LIST

Ref. No.	Model #	Part #			
		TG-48	TG-60	TG-72	TG-84
1	Lift Arm Brace	380108	380108	380108	380108
2	Lift Arm (Left hand)	403068	403068	403068	402073
3	Lift Arm (Right hand)	403069	403069	403069	402074
4	Tail Rod Assembly	505116	505016	505014	505015
5	Center Piece Kit	505025	505025	505025	505025
6	Lift Arm Spacer Kit	505030	505030	505030	505030
7	Tine Pkg. (1-Right & 1- Left) w/ bolts	505002	505002	505002	505002
7	Tine Pkg. (3-Right & 3- Left) w/ bolts	505006	505006	505006	505006
7	4' Complete Tine Pkg. (36 pcs.)	505036			
7	5' Complete Tine Pkg. (42 pcs.)		505042		
7	6' Complete Tine Pkg. (54 pcs.)			505054	
7	7' Complete Tine Pkg. (66 pcs.)				505066
8	Tine Bolt Pkg. (12 pcs.)	505012	505012	505012	505012
8	Tine Bolt Pkg. (72 pcs.)	505072			
8	Tine Bolt Pkg. (84 pcs.)		505084		
8	Tine Bolt Pkg. (108 pcs.)			505108	
8	Tine Bolt Pkg. (132 pcs.)				505132
9	Skid Assembly (Left Hand)	505050	505050	505050	505050
10	Skid Assembly (Right Hand)	505057	505057	505057	505057
11	Chain & Shackle Kit	505143	505143	505143	505143
12	Top Gearbox Assembly	184064	184066	184067	184068
13	Side Gearbox Assembly	184069	184069	184069	184069
14	Lift Pins CAT. 1 (Pkg. 2)	500001	500001	500001	-
14	Straight Lift Pins CAT. 1 to 2 (Pkg. 2)				500003
15	Rotor Assembly	CALL	CALL	CALL	CALL
16	Back Plate Assembly	402041	402046	402052	402067
17	Frame Assembly	402039	402043	402054	402068
18	Outboard Hub Assembly (TG Series)	184070	184070	184070	184070
19	PTO Shaft	147122	147122	147122	147222
20	Support Stand Assembly	505022	505022	505022	505022
21	Top Gearbox Support	-	-	-	380233
22	Top Link Pin CAT. 1 to 2 (7' ONLY)	-	-	-	194111
23	Chain Lug	380050	380050	380050	380050

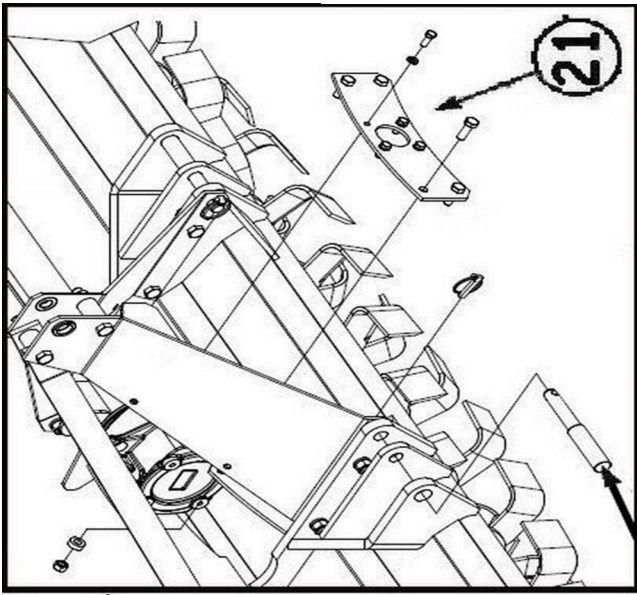
REVERSE TILLER: EXPLODED VIEW



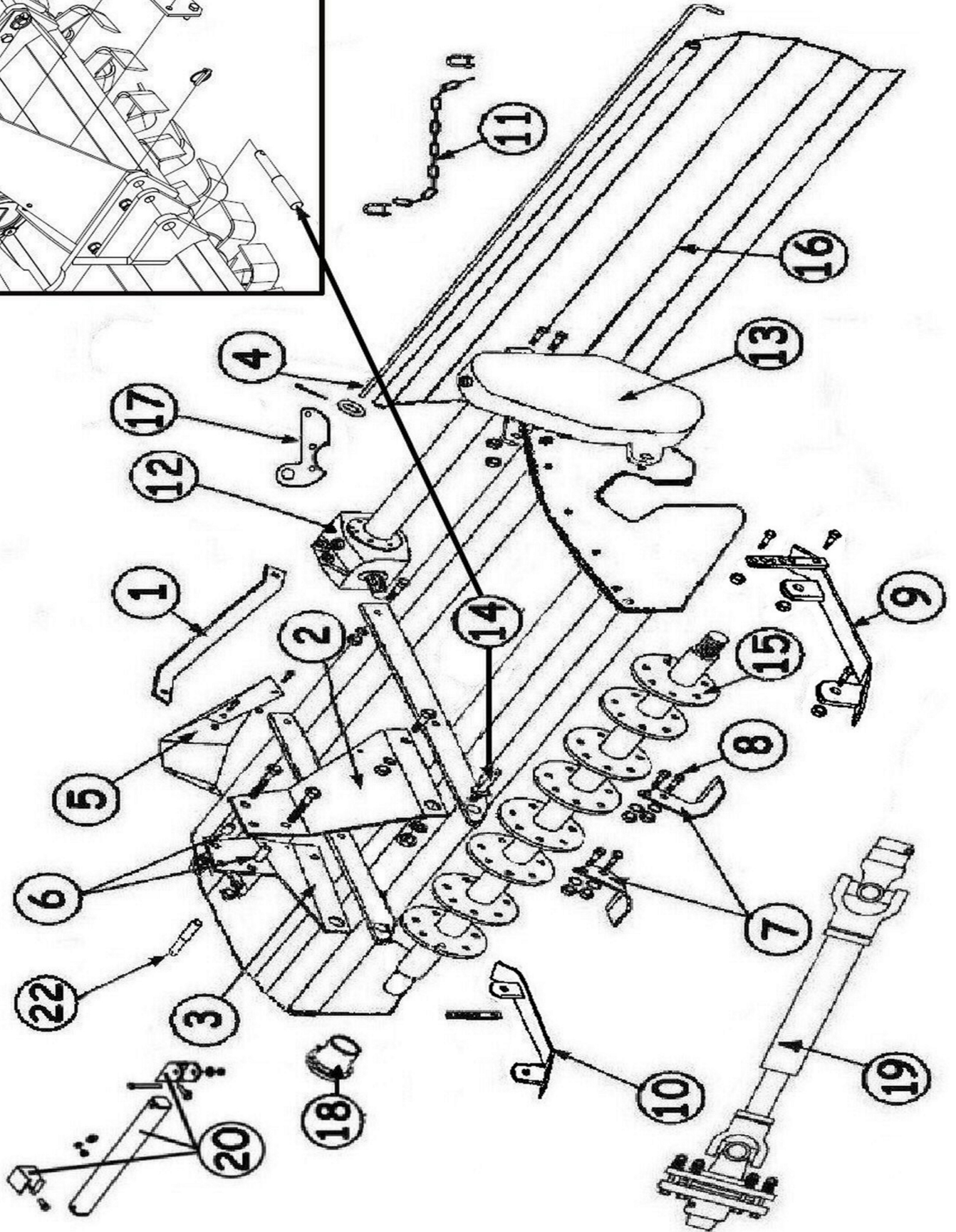
REVERSE TILLER: PARTS LIST

Ref. No.	Model #	Part #	
		RTG-60	RTG-72
1	Lift Arm Brace	380108	380108
2	Lift Arm (Left hand)	403068	403068
3	Lift Arm (Right hand)	403069	403069
4	Tail Rod Assembly	505016	505014
5	Center Piece Kit	505025	505025
6	Lift Arm Spacer Kit	505030	505030
7	Tine Pkg. (1-Right & 1- Left) w/ bolts	505002	505002
8	Tine Pkg. (3-Right & 3- Left) w/ bolts	505006	505006
9	5' Complete Tine Pkg. (42 pcs.)	505042	
10	6' Complete Tine Pkg. (54 pcs.)		505054
11	Tine Bolt Pkg. (12 pcs.)	505012	505012
12	Tine Bolt Pkg. (72 pcs.)	505072	505072
13	Tine Bolt Pkg. (84 pcs.)	505084	505084
14	Tine Bolt Pkg. (108 pcs.)	505108	505108
15	Skid Assembly (Left Hand)	505050	505050
16	Skid Assembly (Right Hand)	505057	505057
17	Chain & Shackle Kit	505143	505143
18	Top Gearbox Assembly	184072	184071
19	Side Gearbox Assembly	184069	184069
20	Lift Pins CAT. 1 (Pkg. 2)	500001	500001
21	Rotor Assembly	CALL	CALL
22	Back Plate Assembly	402046	402052
23	Frame Assembly	402043	402054
24	Outboard Hub Assembly (TG Series)	184070	184070
25	PTO Shaft	147122	147122
26	Support Stand Assembly	505022	505022
27	Deflector Shield Pkg.	505120	505121

TG-G-TILLER: EXPLODED VIEW



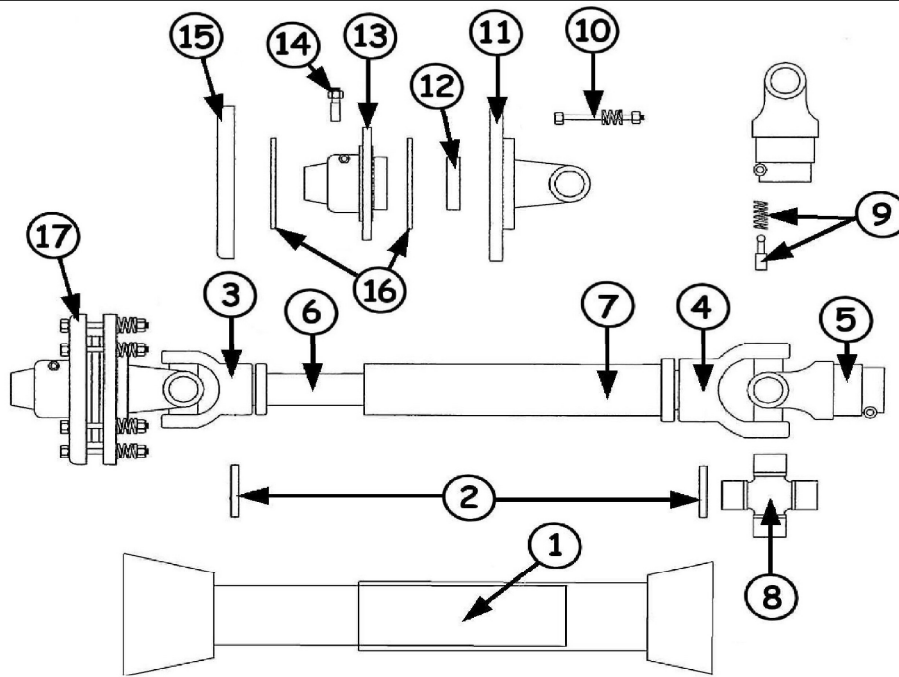
7' TILLER →



TG-G-TILLER: PARTS LIST

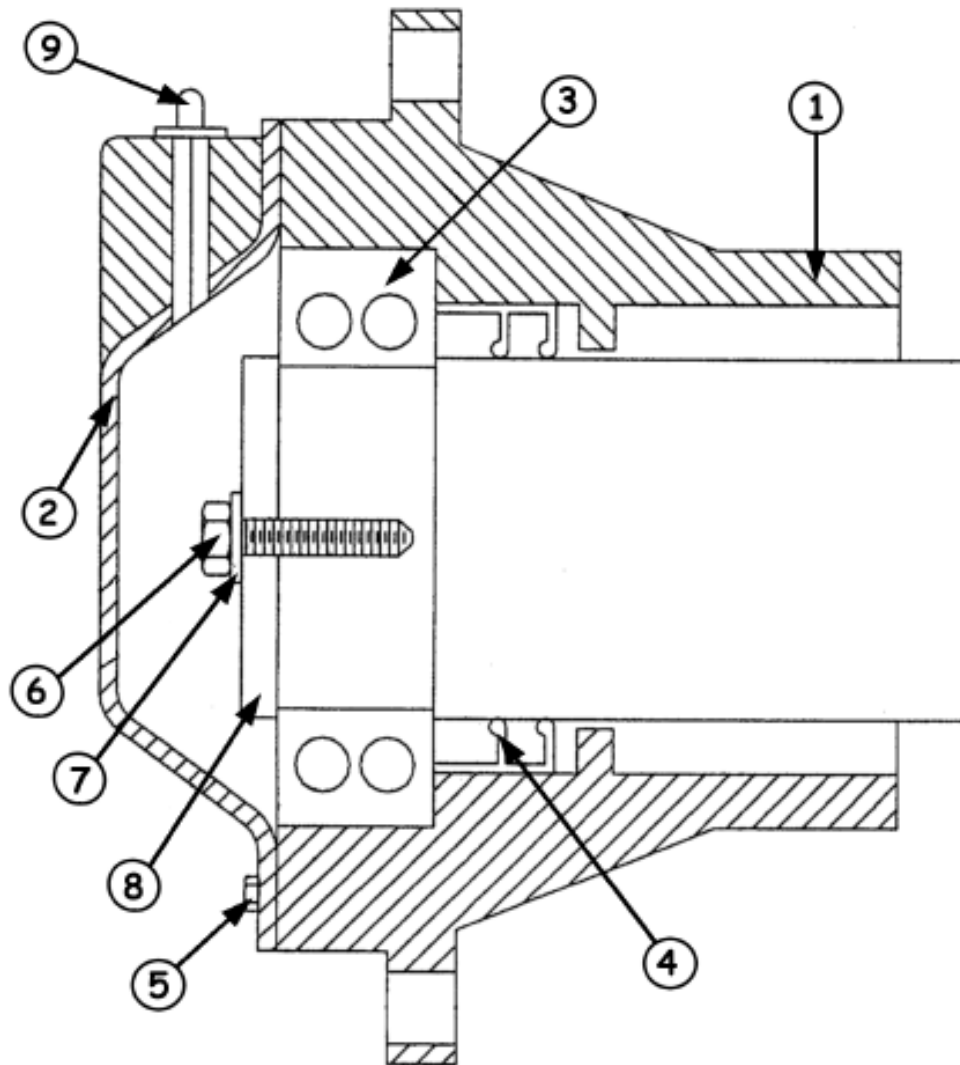
Ref. #	Model #	Part #			
		TG-G-48	TG-G-60	TG-G-72	TG-G-84
1	Lift Arm Brace	380108	380108	380108	380108
2	Lift Arm (Left Hand)	403068	403068	403068	403070
3	Lift Arm (Right Hand)	403069	403069	403069	403071
4	Tail Rod Assembly	505116	505016	505014	505015
5	Center Piece Kit	505025	505025	505025	505025
6	Lift Arm Spacer Kit	505030	505030	505030	505030
7	Tine Pkg. (1-Right & 1- Left) w/ bolts	505002	505002	505002	505002
7	Tine Pkg. (3-Right & 3- Left) w/ bolts	505006	505006	505006	505006
7	4' Complete Tine Pkg. (36 pcs.)	505036			
7	5' Complete Tine Pkg. (42 pcs.)		505042		
7	6' Complete Tine Pkg. (54 pcs.)			505054	
7	7' Complete Tine Pkg. (66pcs.)				505066
8	Tine Bolt Pkg. (12 pcs.)	505012	505012	505012	505012
8	Tine Bolt Pkg. (72 pcs.)	505072			
8	Tine Bolt Pkg. (84 pcs.)		505084		
8	Tine Bolt Pkg. (108 pcs.)			505108	
8	Tine Bolt Pkg. (132 pcs.)				505132
9	Skid Assembly (Left Hand)	505050	505050	505050	505050
10	Skid Assembly (Right Hand)	505057	505057	505057	505057
11	Chain & Shackle Kit	505143	505143	505143	505143
12	Top Gearbox Assembly	184064	184066	184067	184068
13	Side Gearbox Assembly	184069	184069	184069	184069
14	Lift Pins Cat. 1 (Pk. 2), (7' Only-Cat. 1 to 2)	500001	500001	500001	500003
15	Rotor Assembly	CALL	CALL	CALL	CALL
16	Back Plate Assembly	402060	402061	402062	402063
17	Chain Lug	380050	380050	380050	380050
18	Outboard Hub Assembly (TG Series)	184070	184070	184070	184070
19	PTO Shaft	147122	147122	147122	147222
20	Support Stand Assembly	505022	505022	505022	505022
21	Top Gearbox Support Pkg.				505026
22	Top Link Pin Cat. 1 to 2 (7' Only)				194111

22" PTO 147122 & 147222



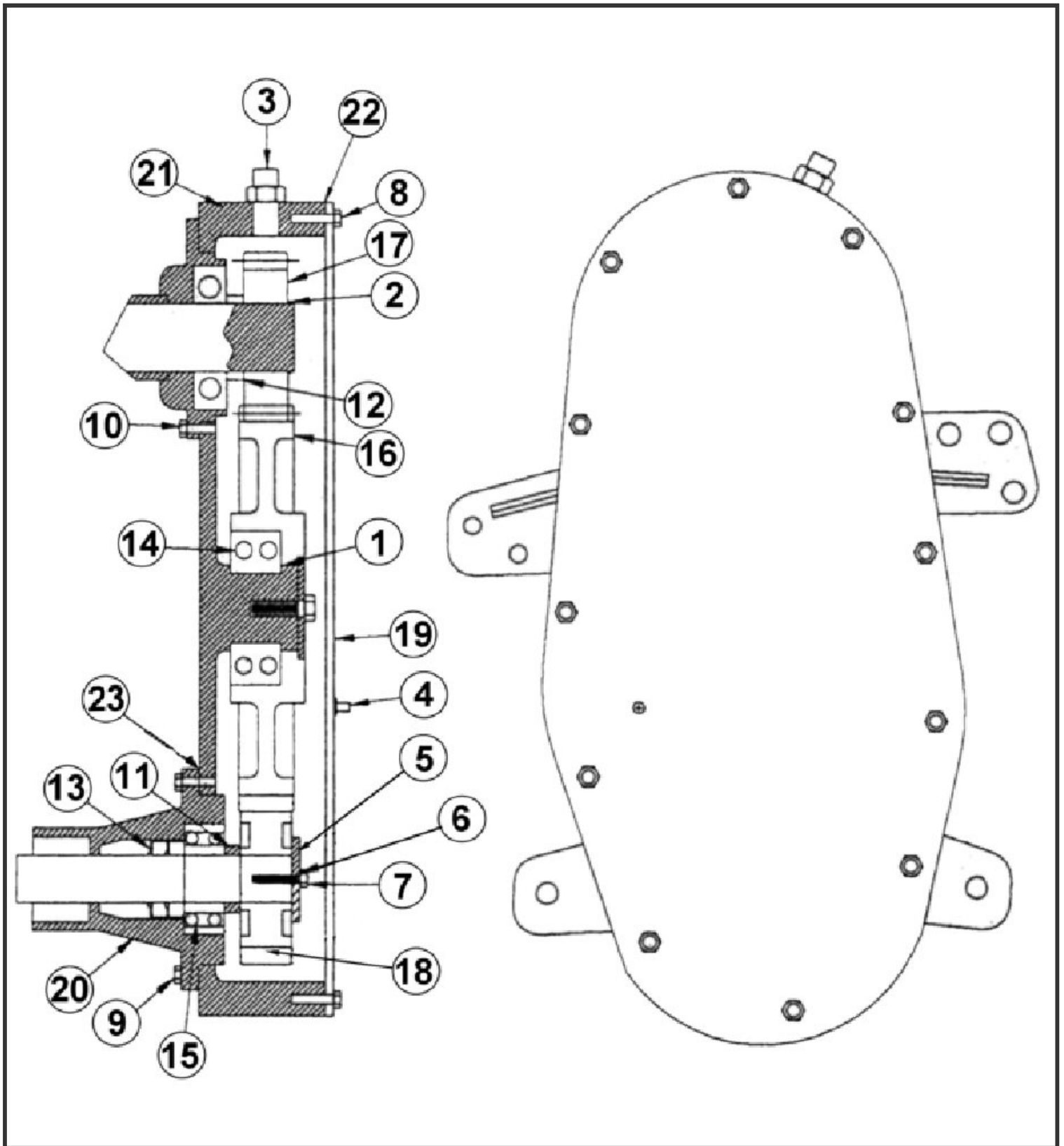
Ref. No.		Part #	Part #
	Model #	147122	147222
1	Safety Shield	124310	197126
2	Roll Pin Series 4 Kit	500131	500133
3	Male Tube End Yoke	151045	151065
4	Female Tube End Yoke	151050	151070
5	Tractor End Yoke	151035	151055
6	Inner Tube 14 Series	151090	151092
7	Outer Tube 14 Series	151091	151093
8	Cross Kit # 4	170015	197122
9	Quick Disconnect Pin	170110	N/A
10	Clutch Spring w/ Compression Bolts & nuts (Pkg. 8)	500150	500150
10	10 x 70 Bolt (1)	140224	140224
11	Flanged Yoke	140226	196006
12	Bushing	140221	196005
13	Friction Hub	140220	196004
14	Tapered Lock Bolt	147350	147350
15	Pressure Plate (Outer)	140216	197121
16	Friction Disc for 6" Slip Clutch (4-3/4" OD x 2-11/16" ID)	140219	N/A
16	Friction Disc for 7" Slip Clutch (5-1/2" OD x 3-5/16" ID)	196008	197125
17	Inner Disc	124317	196002

RTG, TG-G & TG SERIES OUT-BOARD HUB 184070



Ref. No.		Part #
		184070
1	Hub Housing	902341
2	Cap	902342
3	Self Aligning Ball Bearing (1310)	902019
4	Seal Double Lip (Pkg. 2)	505017
5	Bolt M-6 -16	902345
6	Bolt M-12 -25	902011
7	Lockwasher M-12	902010
8	Washer	902009
9	Grease Zerk 1/4"	902349

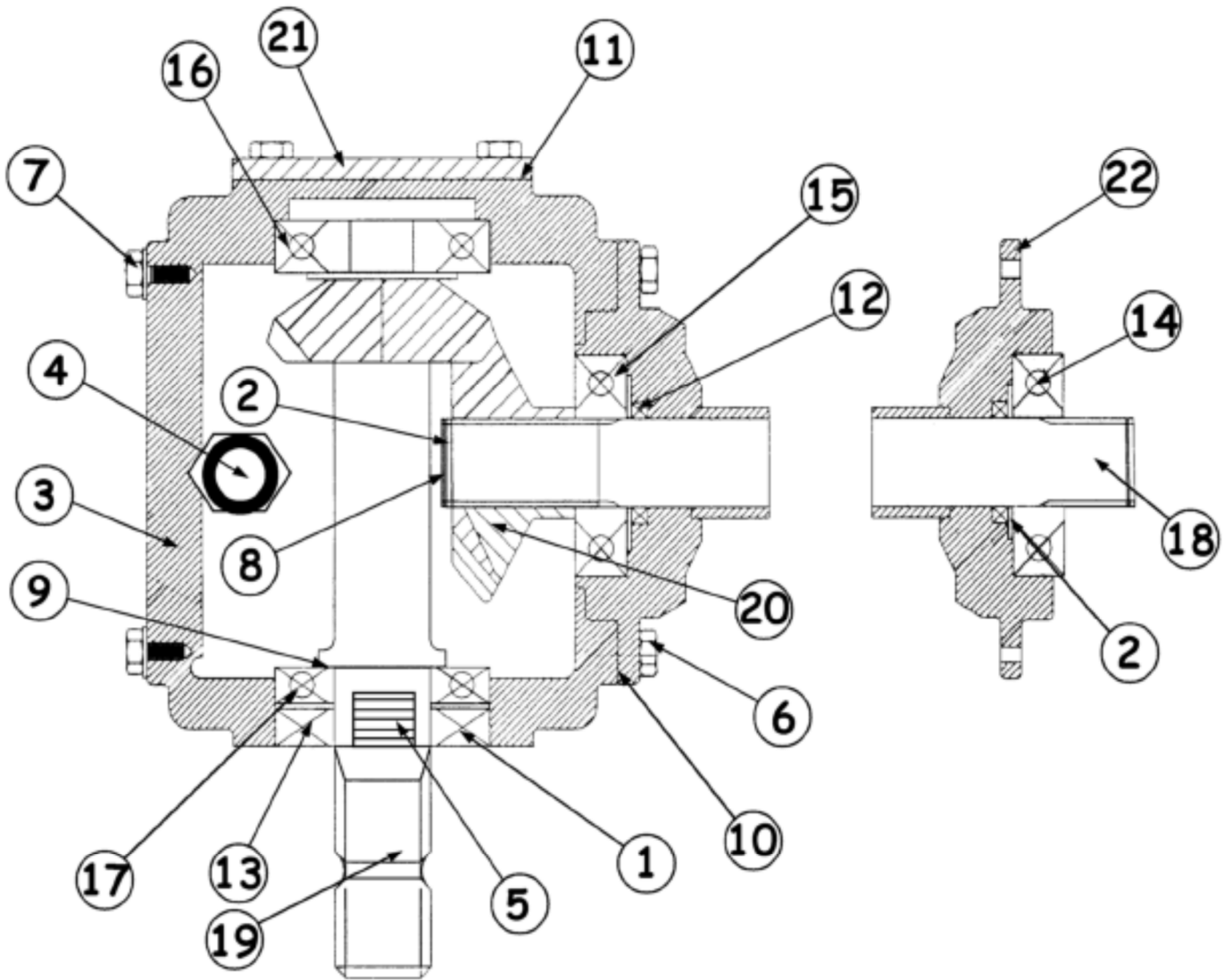
TG, TG-G & RTG SERIES SIDE GEARBOX 184069



TG, TG-G & RTG SERIES SIDE GEARBOX PARTS LIST

Ref. No.		Part #
1	Retaining Ring 90mm	902005
2	Retaining Ring 40mm	902006
3	Pressure Plate Plug 1/2" - 14 NPT	902007
4	Sq. Hd. Plug 1/4" - 18 NPT	902008
5	Flat Washer (Main)	902009
6	Lock washer M-12	902010
7	Bolt M-12-25	902011
8	Bolt M-8-16 (Pkg. 12)	502247
9	Bolt M-10-25 (Pkg. 6)	502296
10	Bolt M-10-20 (Pkg. 6)	502207
11	Spacer (Output)	902015
12	Spacer (Input)	902016
13	Seal Double Lip (Pkg.2)	505017
14	3210 Double Bearing (Ball)	902018
15	1310 Self Aligning Bearing (Ball)	902019
16	Gear -34 Teeth	902021
17	Gear -16 Teeth	902022
18	Gear -28 Teeth	902020
19	Cover	902001
20	Side Box Outboard Hub Housing	902002
21	Housing	902003
22	Gasket	902004
23	Inboard Hub Gasket	902350

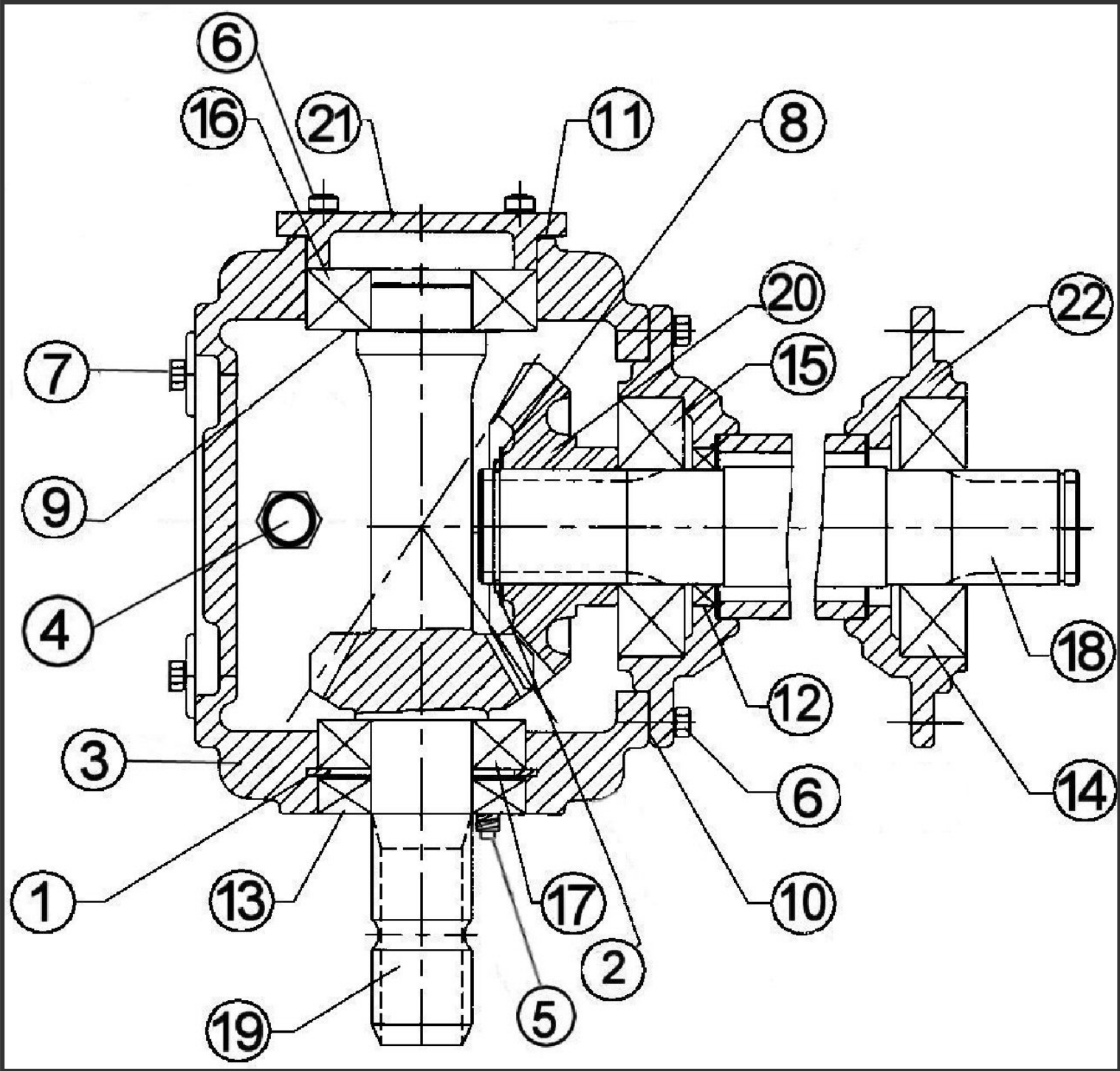
TG & TG-G SERIES TOP GEARBOX ASSEMBLY



TG & TG-G SERIES TOP GEARBOX PARTS LIST

Ref. No.		Part #
1	Retaining Ring 72mm	902301
2	Retaining Ring 40mm	902302
3	Housing RTA - 50	902329
4	Pressure Plate Plug 1/2" - 14 NPT	902304
5	Sq. Hd. Plug 1/4" - 18 NPT	902305
6	Bolt M-10-25 (Pkg. 6)	502296
7	Bolt M-10-30 (Pkg. 4)	505008
8	Spacer	902309
9	Shim Pack (Pkg. 8)	502243
10	Output Gasket 0.8mm	902314
10	Output Gasket 0.5mm	902315
11	Input Gasket 0.4mm	902316
11	Input Gasket 0.2mm	902317
12	Output Seal Double Lip	902318
13	Input Seal Double Lip	902319
14	Sealed Ball Bearing (6308)	902320
15	Ball Bearing (6308)	902321
16	Ball Bearing (6307)	902322
17	Ball Bearing (6207)	902323
18	Output Shaft TG-48 500mm	902324
18	Output Shaft TG-60 700mm	902330
18	Output Shaft TG-72 900mm	902331
18	Output Shaft TG-84	902336
19	Pinion Shaft 13 Teeth	902325
20	Output Gear 19 Teeth	902326
21	Cap Blank	902327
22	Cap Hub TG-48 500mm	902328
22	Cap Hub TG-60 700mm	902332
22	Cap Hub TG-72 900mm	902333
22	Cap Hub TG-84	902337

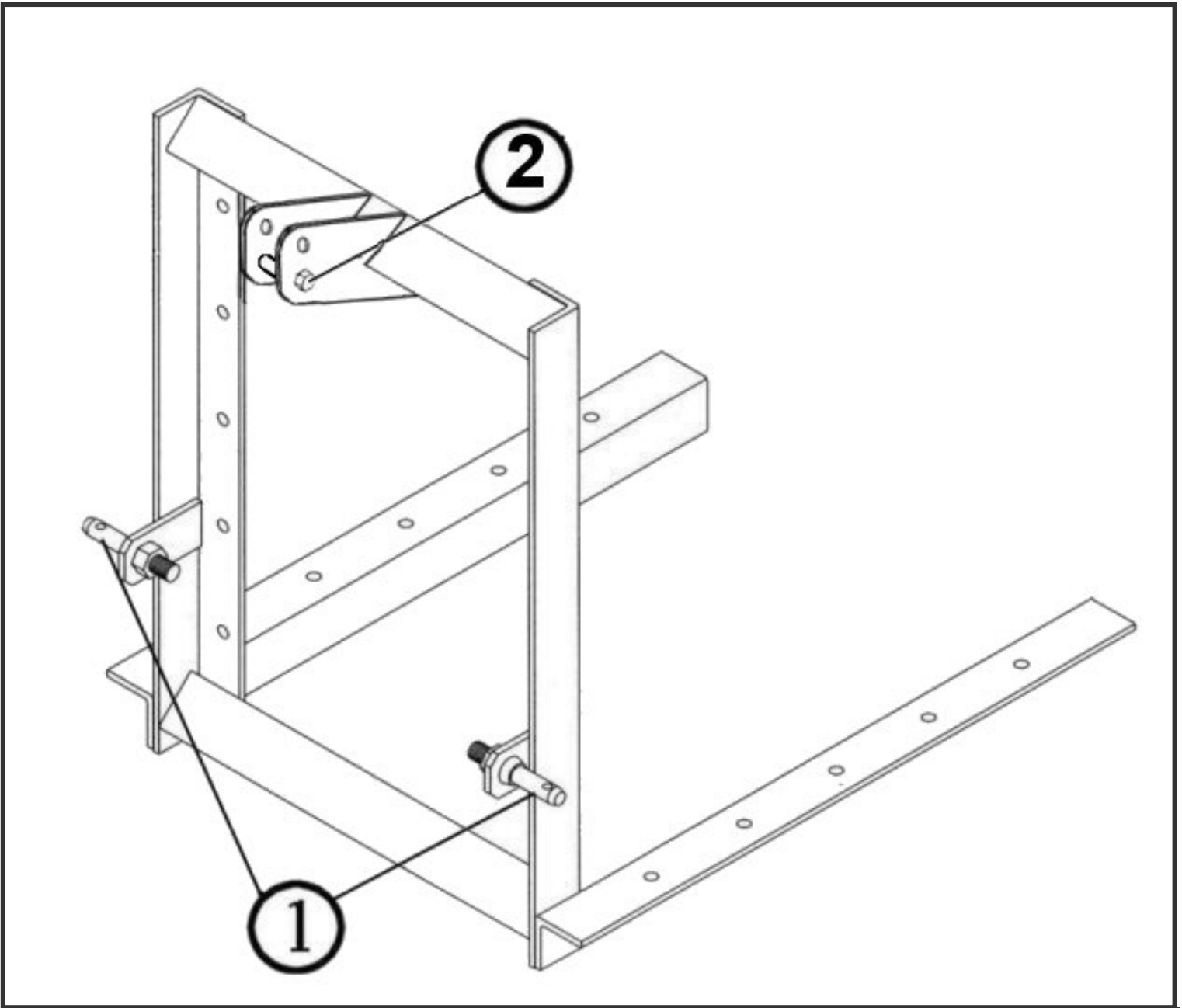
RTG SERIES TOP GEARBOX ASSEMBLY



RTG SERIES TOP GEARBOX PARTS LIST

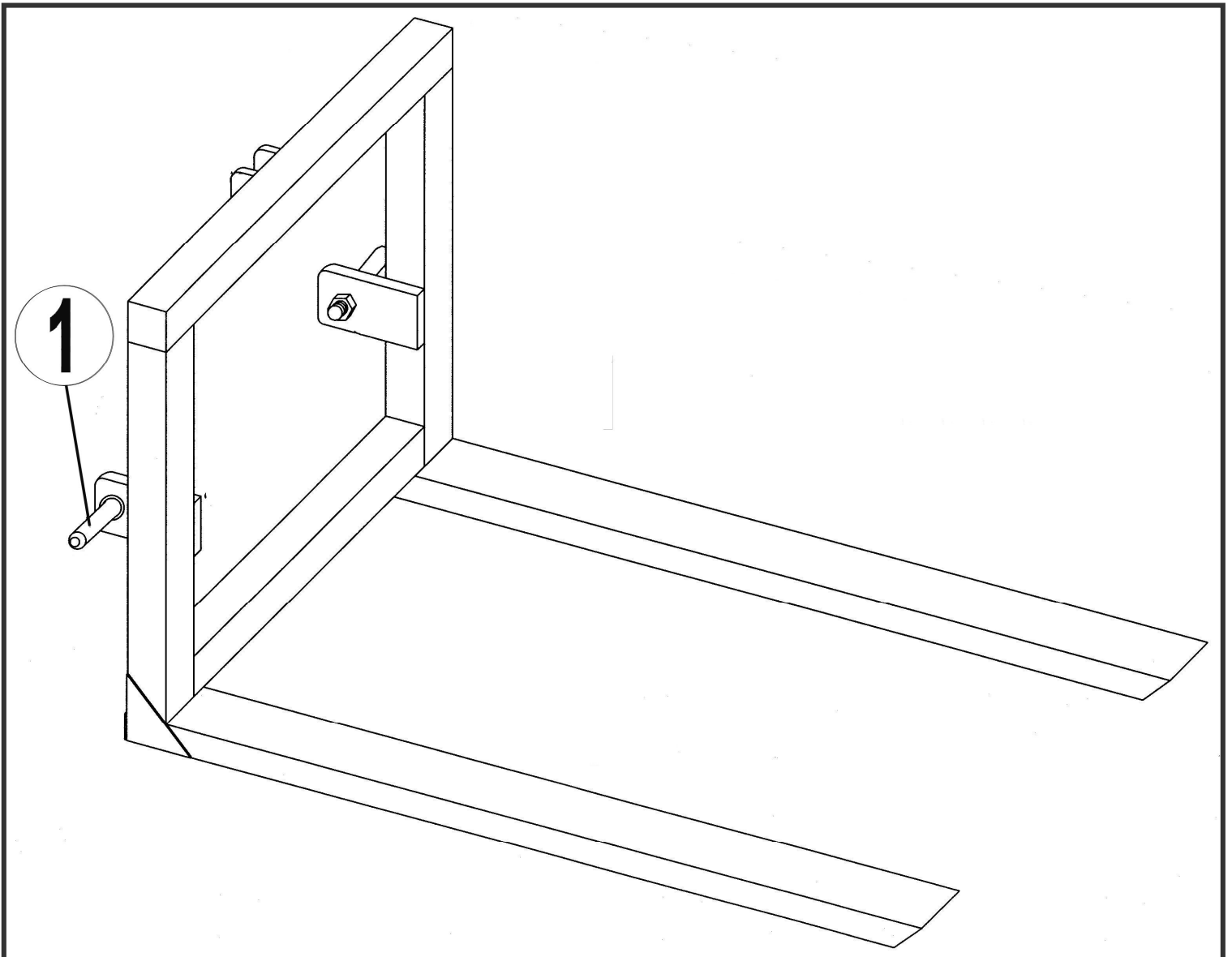
Ref. No.		Part #
1	Retaining Ring 72mm	902301
2	Retaining Ring 40mm	902302
3	Housing RTA - 50	902329
4	Pressure Plate Plug 1/2" - 14 NPT	902304
5	Sq. Hd. Plug 1/4" - 18 NPT	902305
6	Bolt M-10-25 (Pkg. 6)	502296
7	Bolt M-10-30 (Pkg. 4)	505008
8	Output Spacer	902309
9	Shim Pack (Pkg. 4) (.5 & 1.0) 2 ea.	502243
10	Output Gasket 0.8mm	902314
10	Output Gasket 0.5mm	902315
11	Input Gasket 0.4mm	902316
11	Input Gasket 0.2mm	902317
12	Output Seal Double Lip	902318
13	Input Seal Double Lip	902319
14	Sealed Ball Bearing (6308)	902320
15	Ball Bearing (6308)	902321
16	Ball Bearing (6307)	902322
17	Ball Bearing (6207)	902323
18	Output Shaft RTG-60 700mm	902330
18	Output Shaft RTG-72 900mm	902331
19	Pinion Shaft 13 Teeth	902334
20	Output Gear 19 Teeth	902326
21	Cap Blank	902327
22	Cap Hub RTG-60 700mm	902332
22	Cap Hub RTG-72 900mm	902333

CARRY ALL



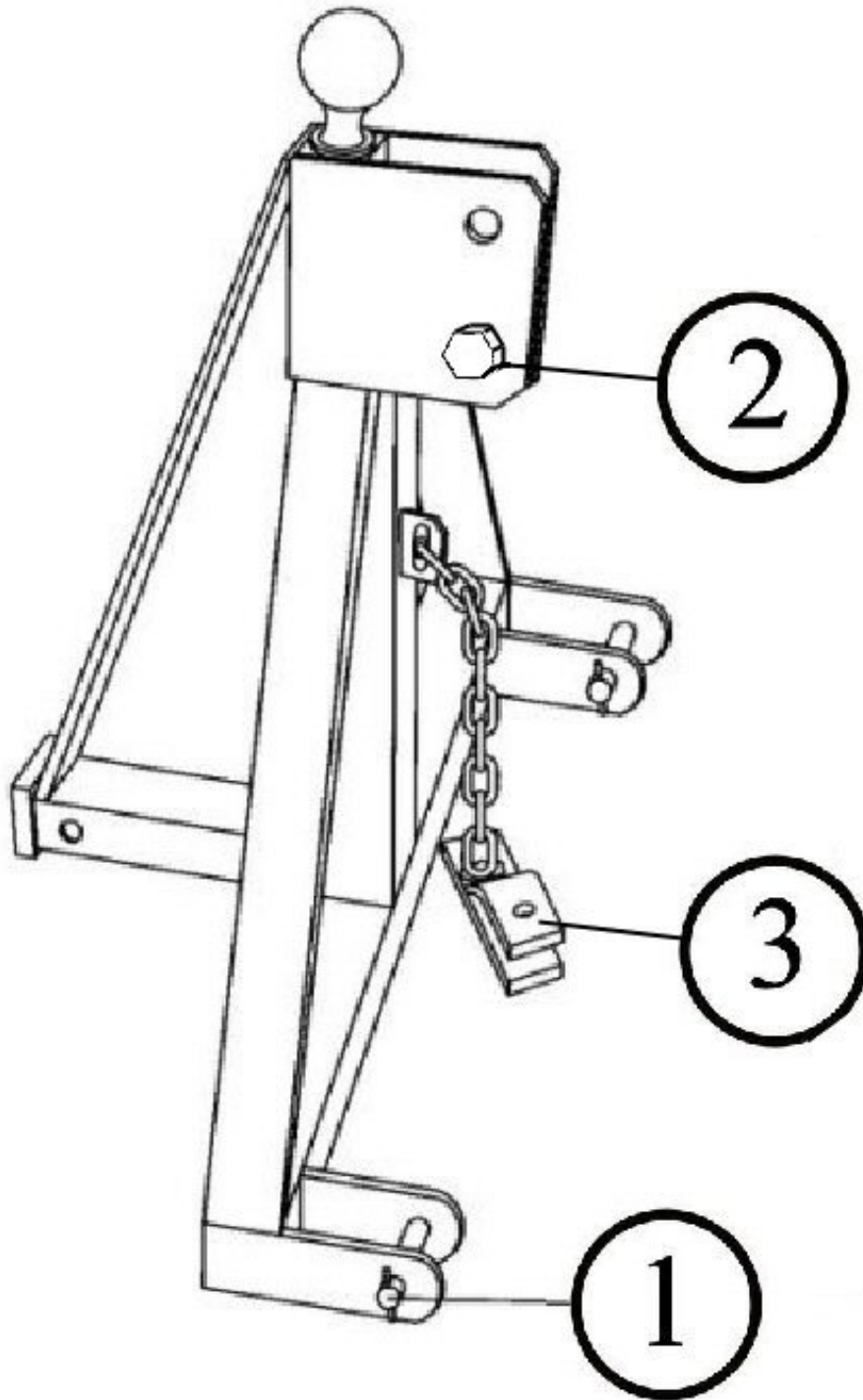
Ref. No.	Model #	Part #
		CA
1	(CAT. 1) Lift Pins (Pkg. 2)	500001
2	Spacer Kit	504505

PALLET MOVER



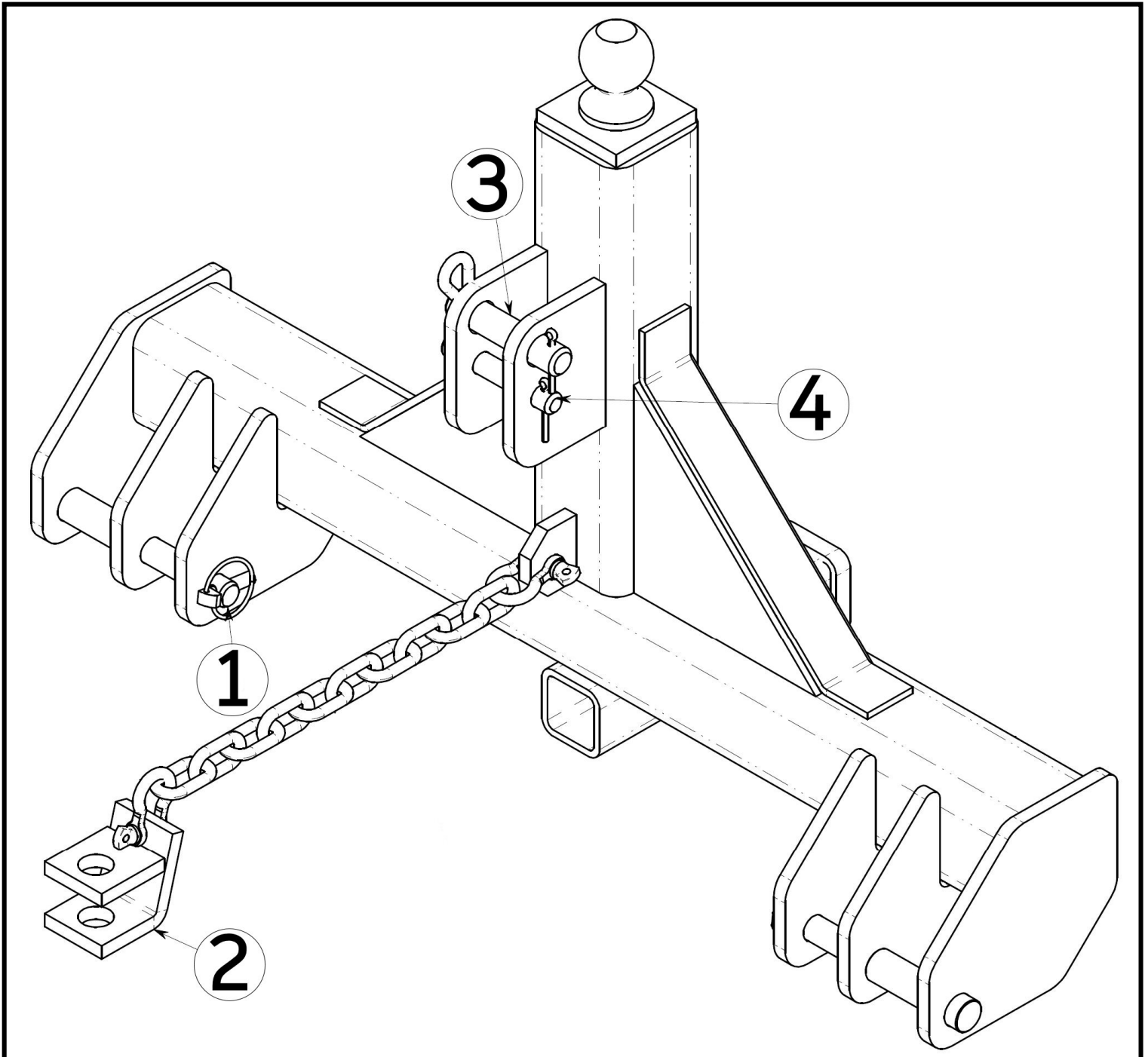
Ref. No.		Part #
	Model #	PM-15
1	(CAT. 1) Lift Pins (Pkg. 2)	500001

TRAILER MOVER TM-GN



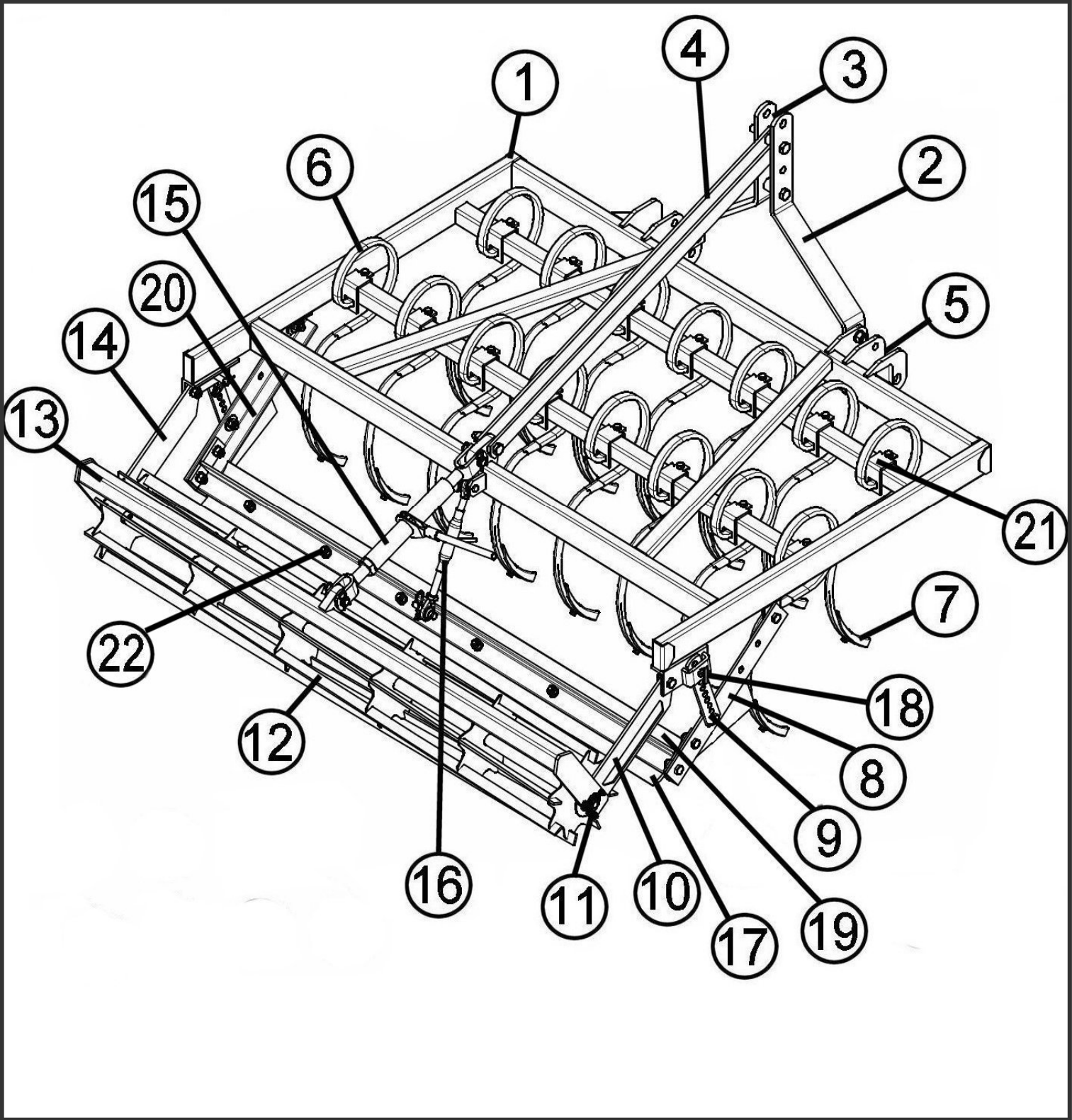
Ref. No.	Model #	Part #
		TM-GN
1	Straight Lift Pins Cat 1	500007
2	Spacer Kit	504510
3	Draw Bar Kit	504515

HEAVY DUTY TRAILER MOVER



Ref. No.	Model #	Part #
1	Straight Lift Pin Cat. I to 2	500003
2		
3		
4		

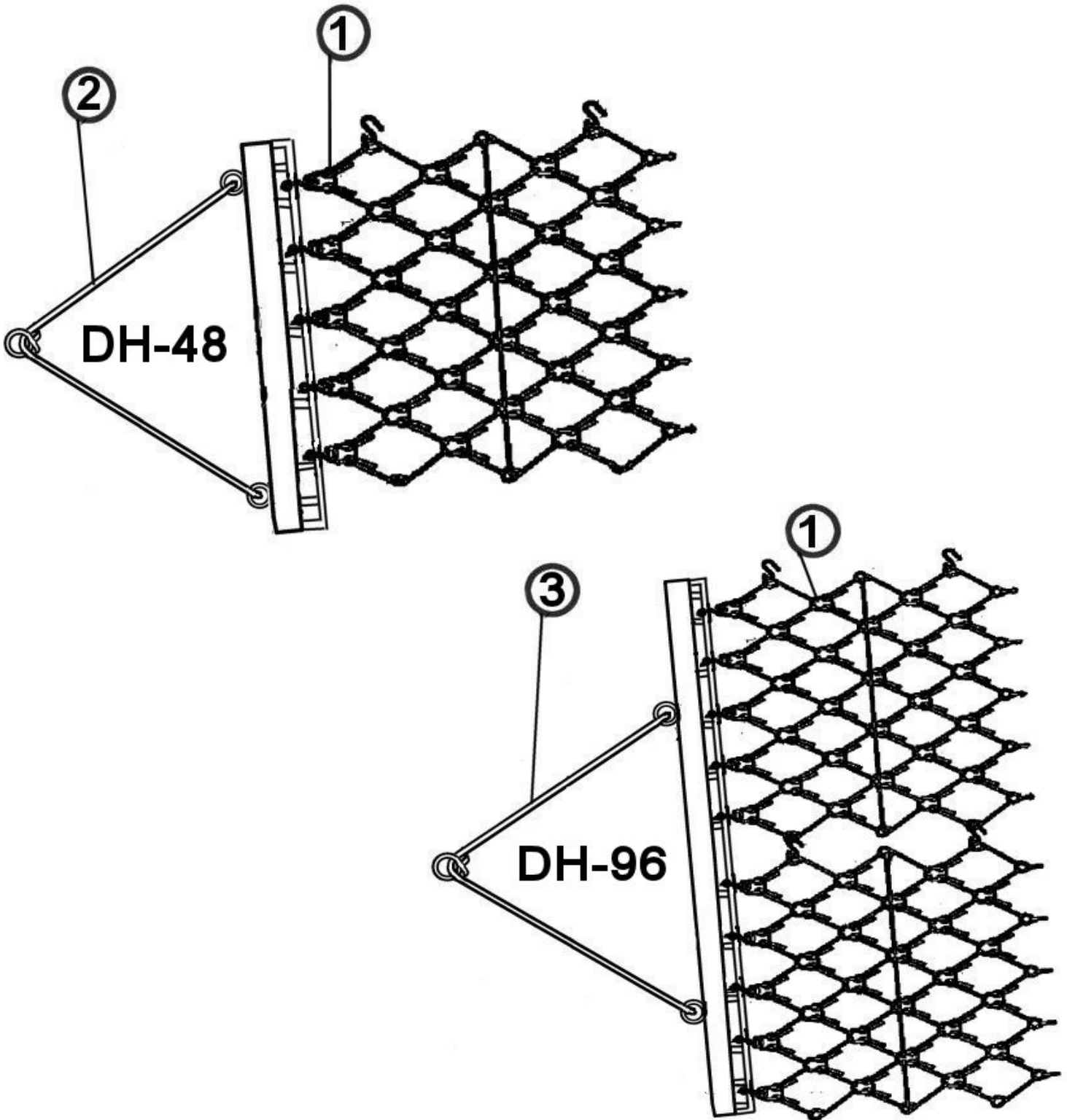
ARENA RENOVATOR



ARENA RENOVATOR PARTS

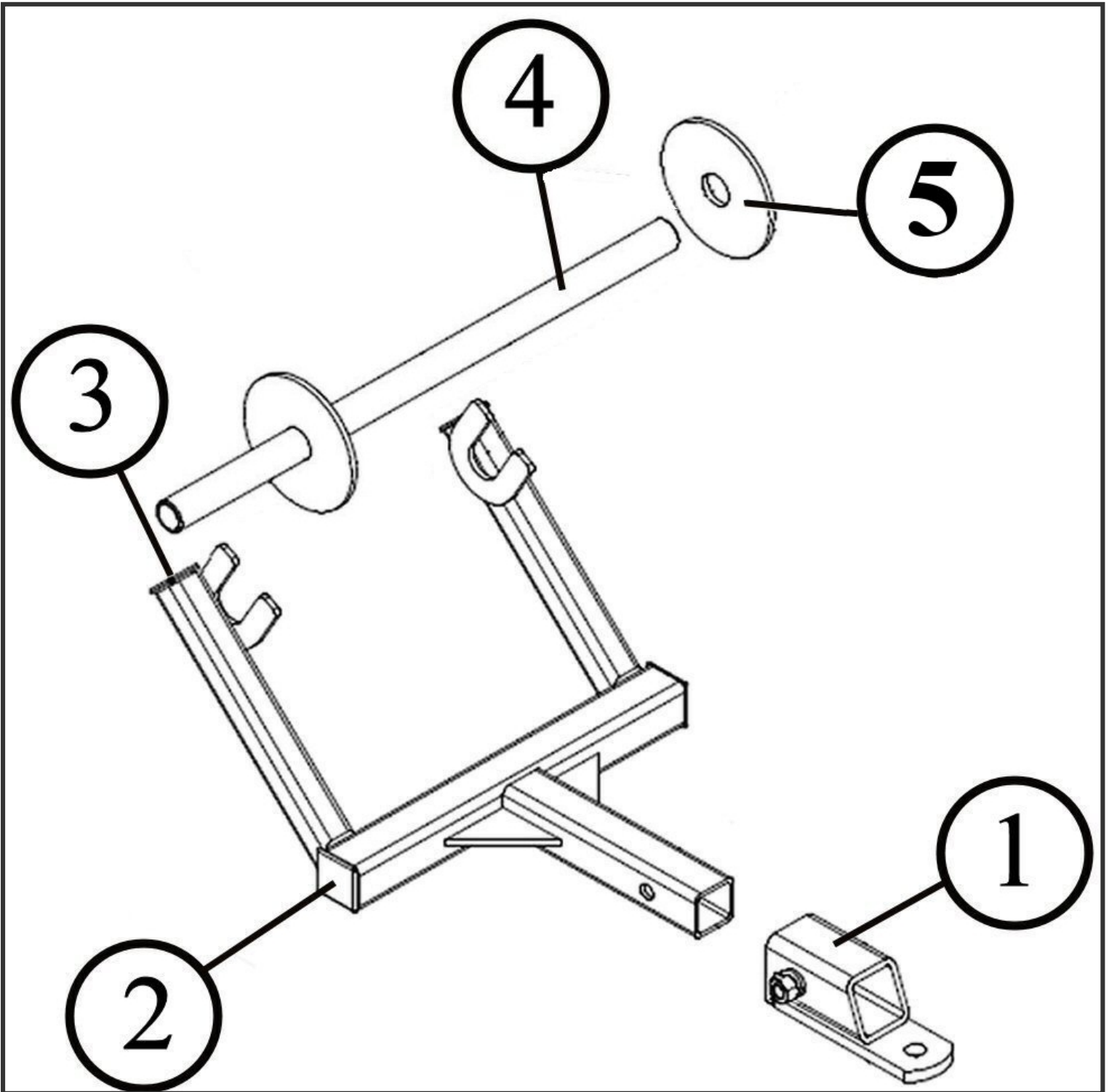
Ref. No.		Part #
	Model #	AR-72
1	Frame	401250
2	Lift Arm	360800
3	Lift Arm Spacer Pkg.	502500
4	Lift Arm Brace	360801
5	Straight Lift Pin Cat. 1 to 2 (Pkg. 2)	500003
6	Arena Renovator Tine Pkg.	502501
7	Arena Renovator Tine Point (Pkg 5)	502502
8	Wing Arm Right	401252
9	Blade Adjuster Bar (Pkg. 2)	502505
10	Roller Arm Right	401255
11	Bearing Pkg.(1-Bearing, 2-Flanges, 3-Nuts, Bolts, Washers)	502504
12	Basket Weldment	401257
13	Roller Adjustment Assembly	401256
14	Roller Arm Left	401254
15	Ratchet Jack	195170
16	Top Link Cat. 0	195165
17	Cutting Edge 72"	188025
18	T-Handle Clevis Pin (Pkg 2)	502503
19	Blade Mount	401253
20	Wing Arm Left	401251
21	Danish Tine Mounting Bracket Pkg.	905007
22	Cutting Edge Bolt Set (9pk)	503001

DRAG HARROWS



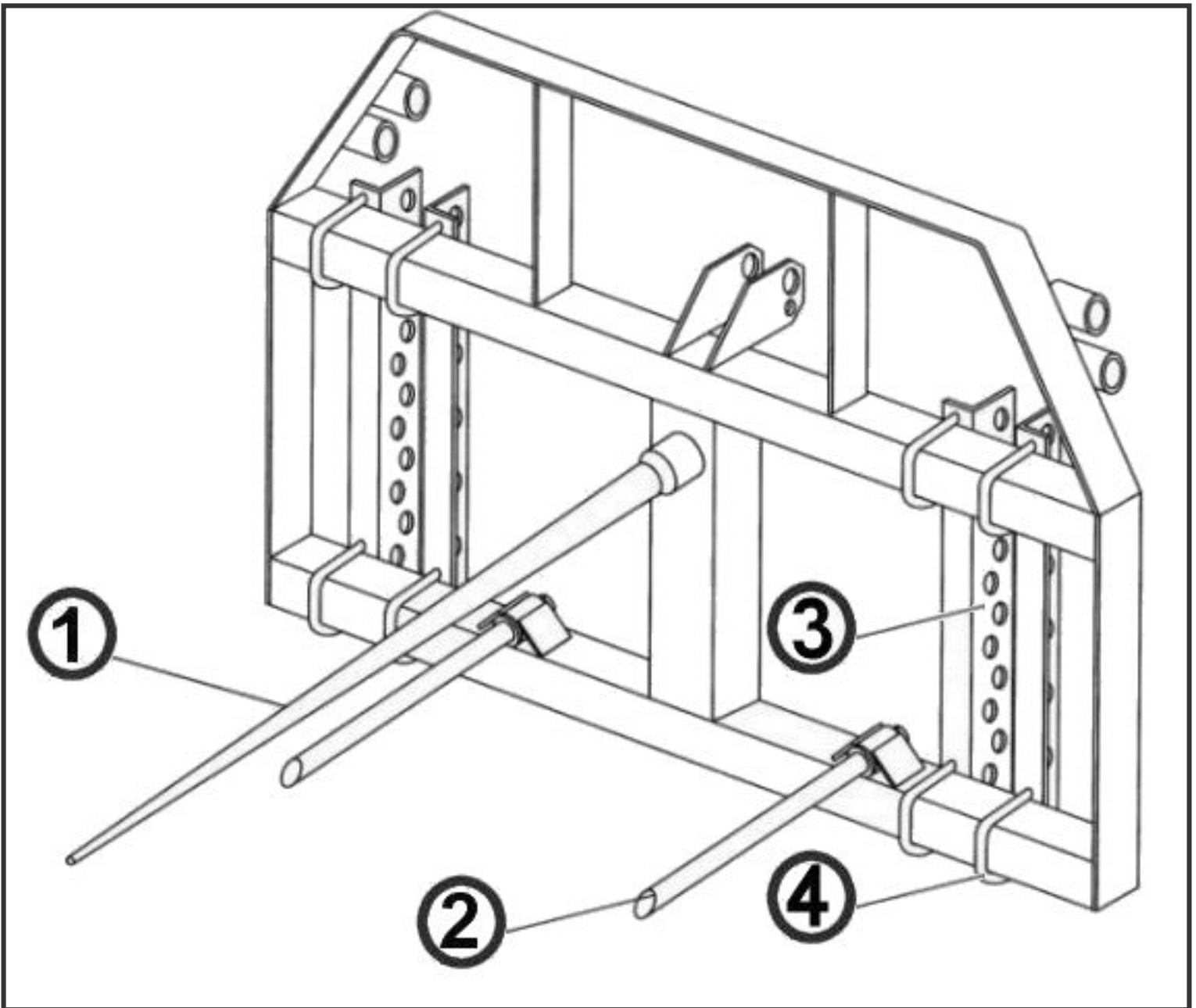
Ref. No.	Model #	Part #
		DH-48 DH-96
1	Drag Harrow Tines	175005
2	Universal Draw Bar 4' Drag Harrow	175060
3	Universal Draw Bar 8' Drag Harrow	175070

WIRE UNROLLER PARTS



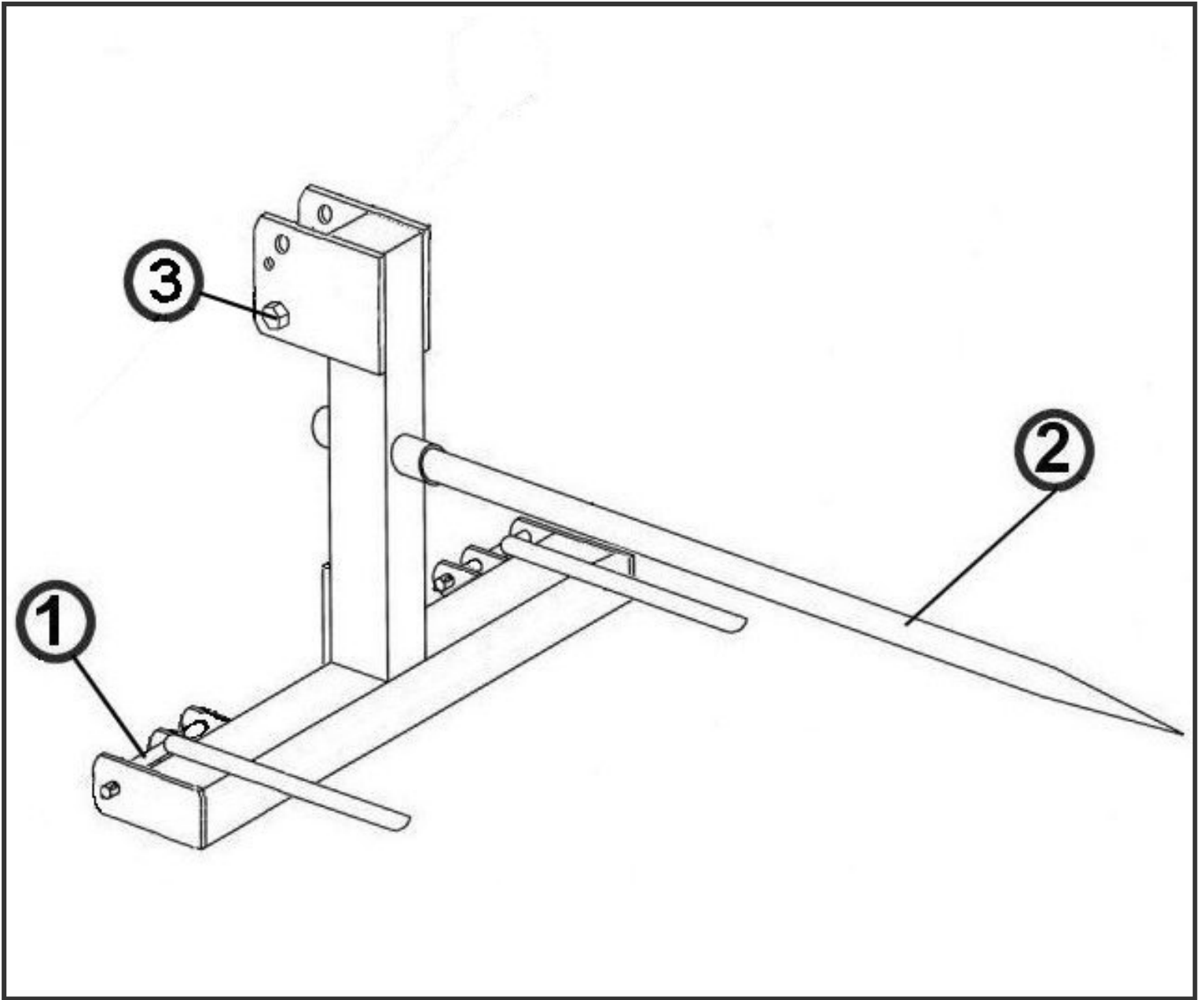
Ref. No.	Model #	Part #
		WU-R
1	Receiver Hitch	401261
2	Plastic End Caps 2" Dia. (PK 2)	504090
3	Plastic End Caps 1-1/2" Dia. (PK 2)	504091
4	Unroller Shaft	401262
5	Unroller Disc 1/4 x 5-5/8 Diameter	360876

F-602 UNIVERSAL BALE SPEAR



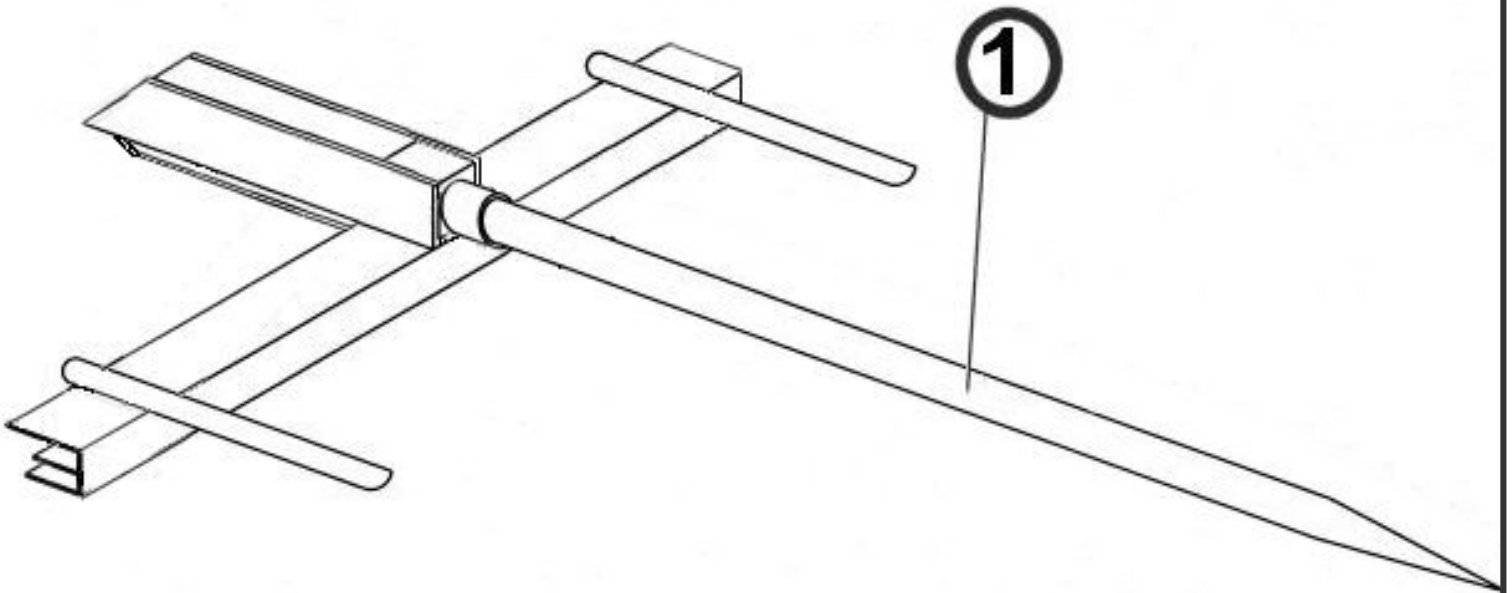
Ref. No.	Model #	Part #
		F-602
1	Taper Spear w/Nut & Sleeve	171007
2	Stabilizer Spike	404791
3	Lower Lift Angle	390211
4	Hanger Bolt Set (2) 5/8" U-Bolts, Nuts & Washers	504099

RS-500 BALE SPEAR



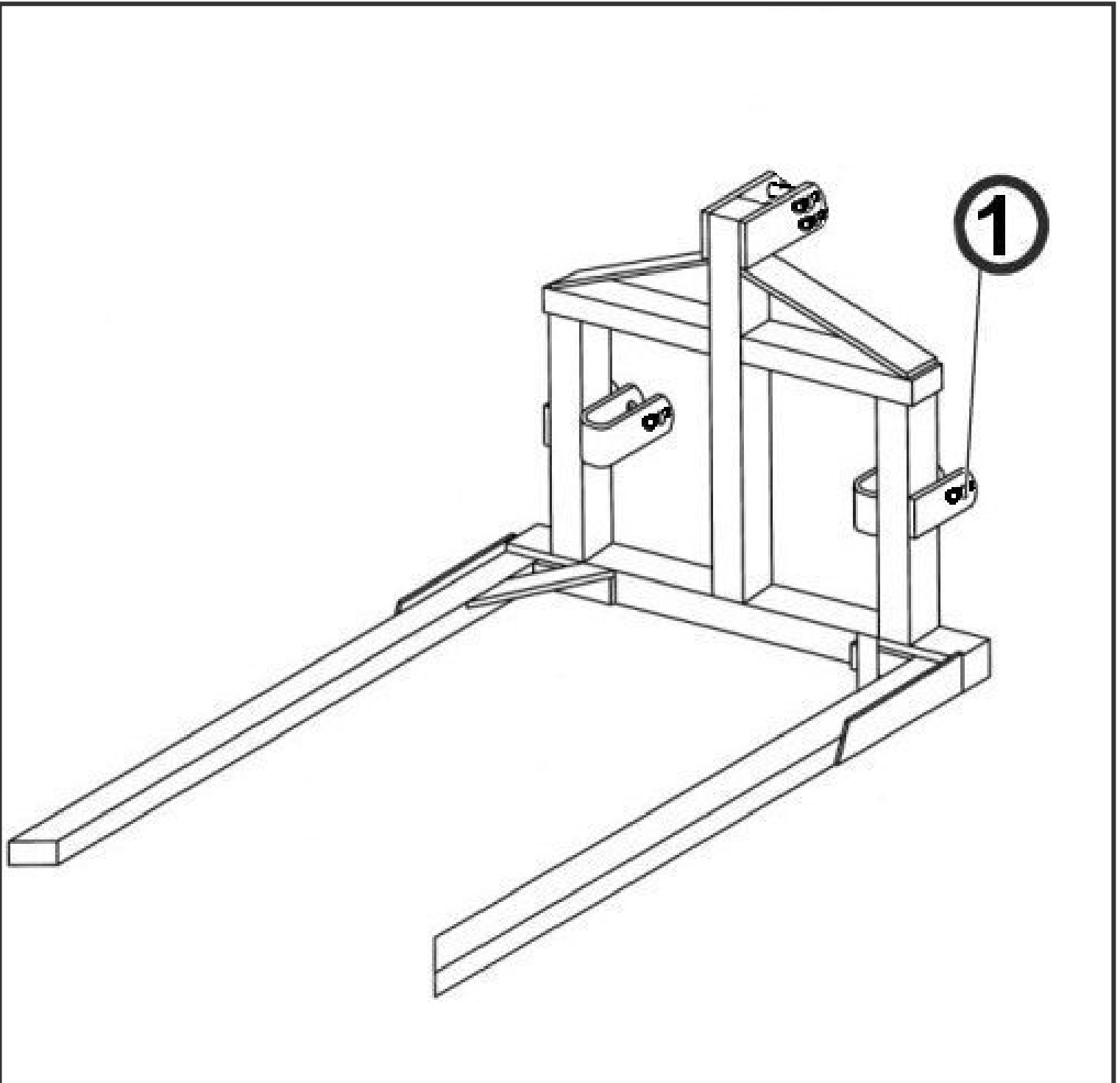
Ref. No.		Part #
	Model #	RS-500
1	Straight Lift Pins Cat 1 to 2	500003
2	Spear Kit	171007
3	Spacer Kit	504520

BS-325 BUCKET SPEAR



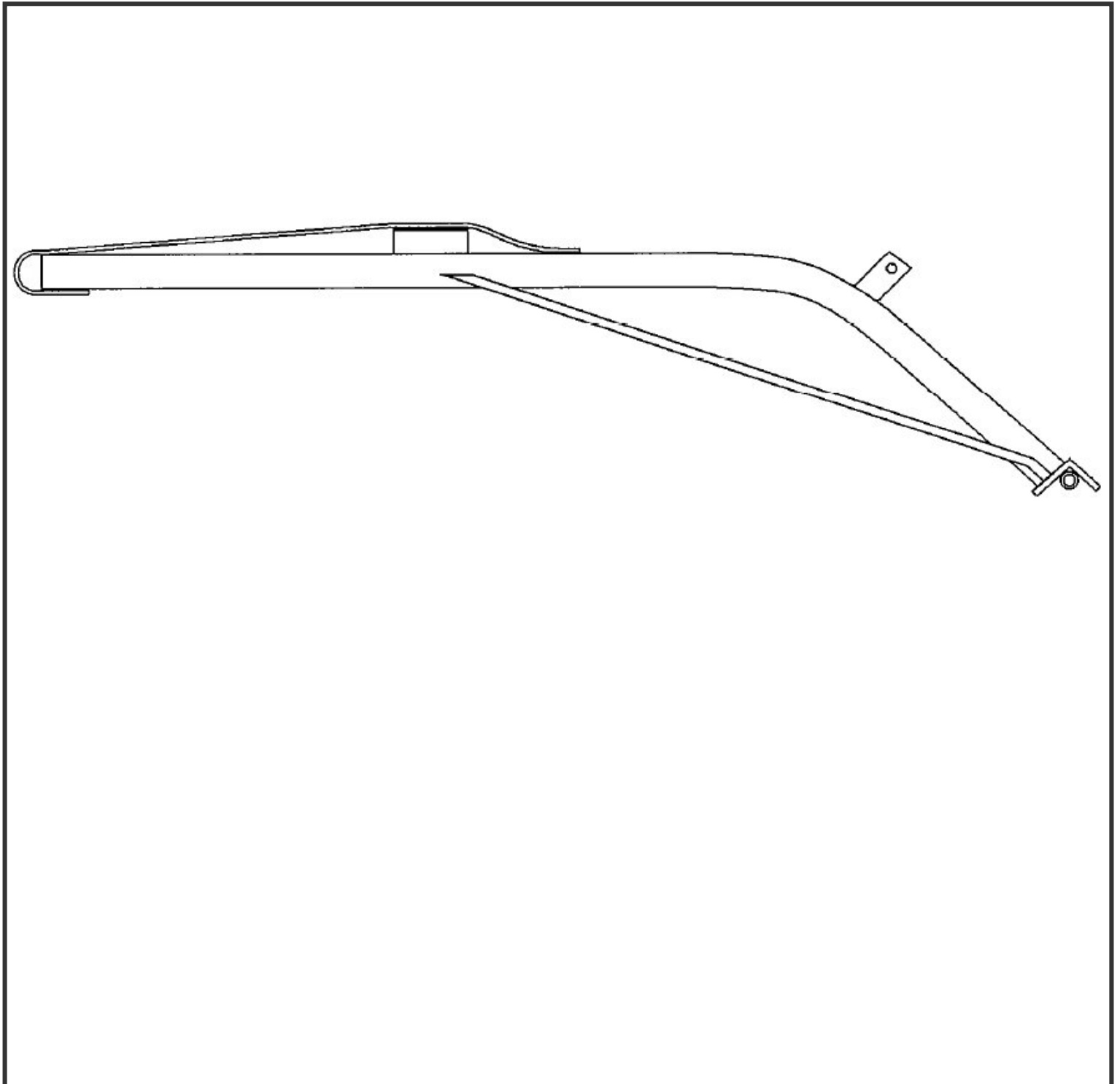
Ref. No.	Model #	Part #
1	Taper Spear w/Nut & Sleeve	BS-325 171007

E-511 BALE MOVER



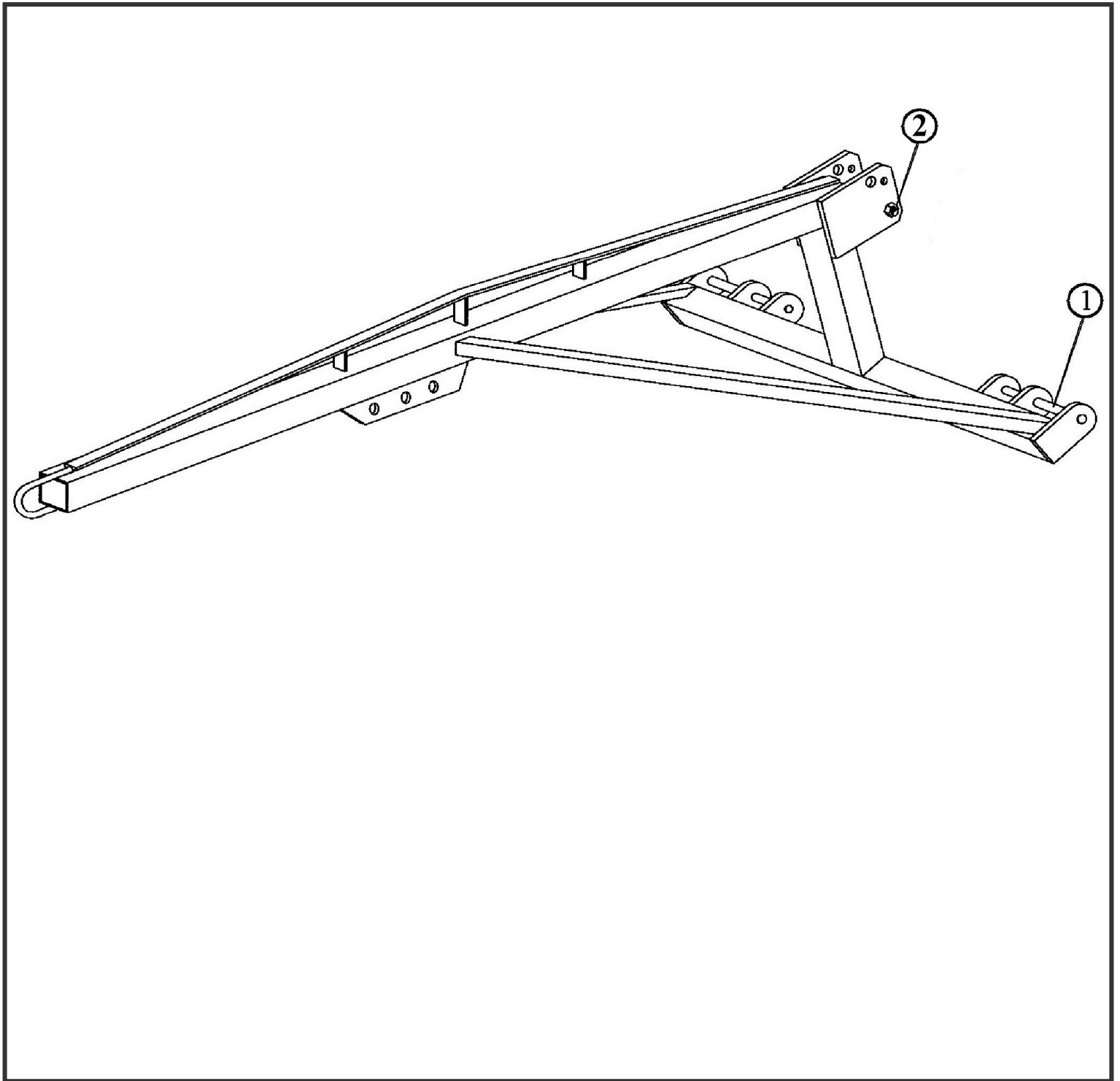
Ref. No.		Part #
	Model #	E-511
1	Straight Lift Pin Cat. 1 to 2	500003

BOOM POLE



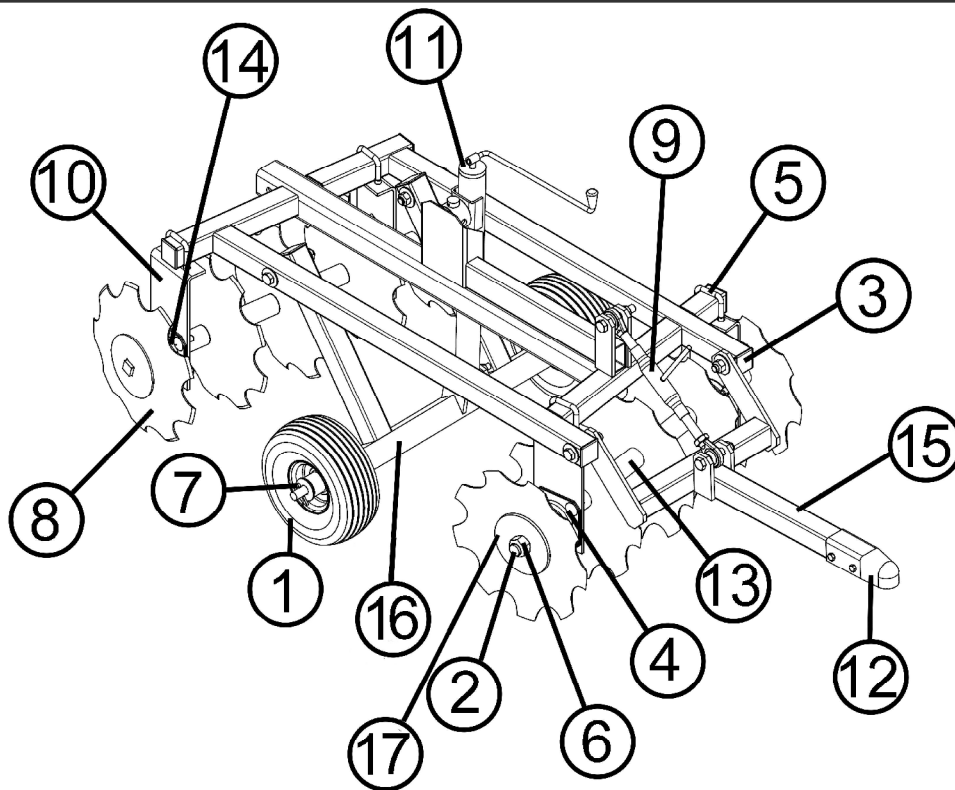
Ref. No.		Part #
	Model #	BP
NA	NO PARTS AVAILABLE	NA

HEAVY DUTY BOOM POLE



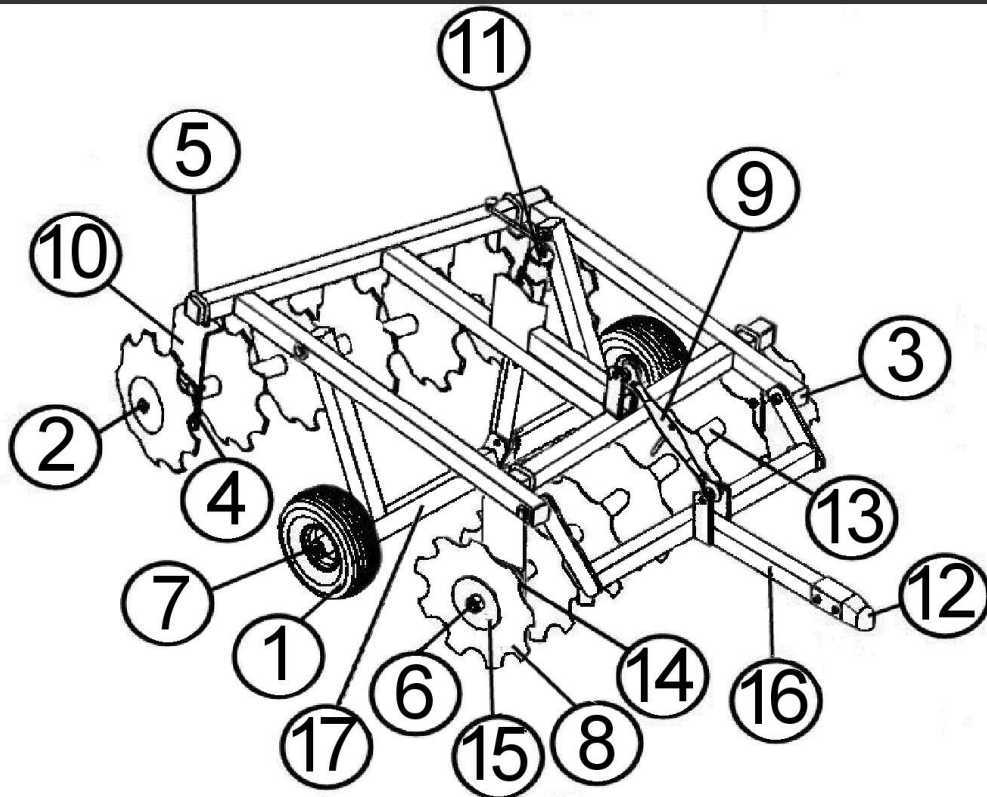
Ref. No.	Part Name	Part #
	Model #	BP-HD
1	Straight Lift Pin CAT. 1 to 2 (Pkg. 2)	500003
2	Spacer Kit	504520

33" COMPACT DISC



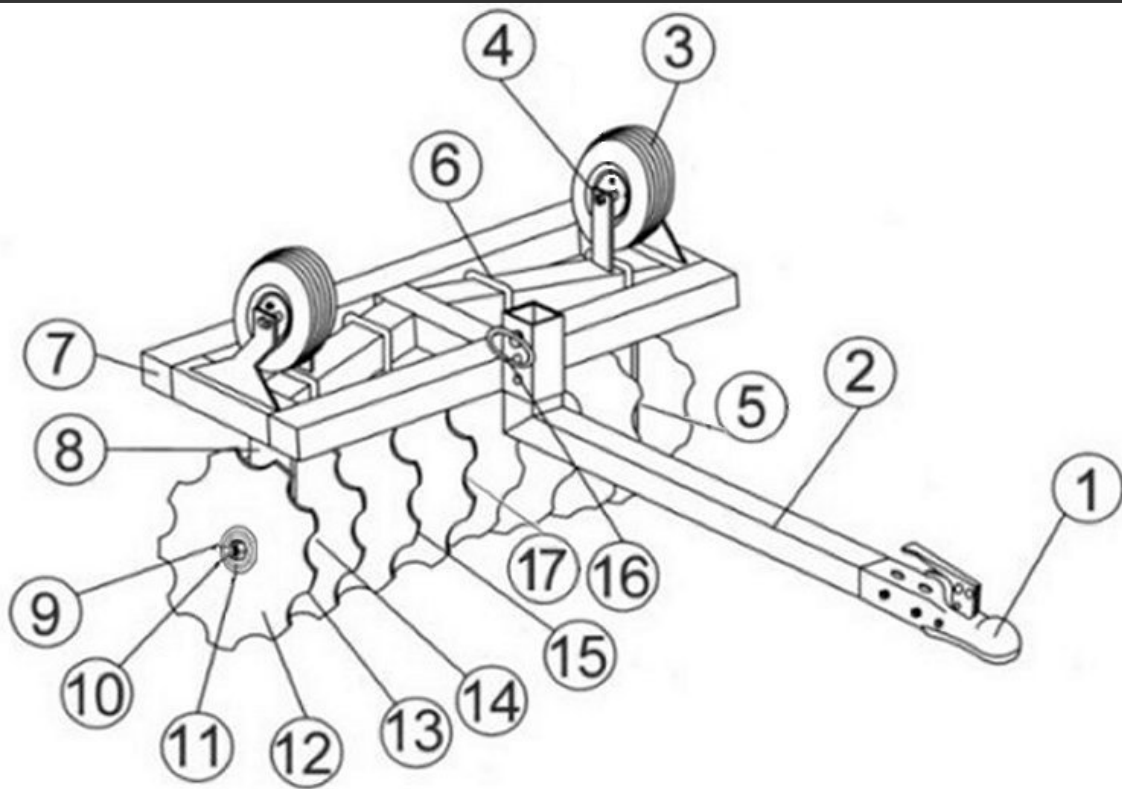
Ref. No.	Part Name	Part #
	Model #	14-10-CD
1	Tire & Rim	168025
2	Disc Axle	401066
3	Plastic End Cap (Pkg. 2)	504090
4	Sealed Bearings & Flanges	504125
5	Bearing Stand Bolt Pkg. (2-U-Bolts)	504093
6	Locknuts – 1" (Pkg. 4)	504280
7	Cotter Pin & Wheel Washer (Pkg)	504095
8	Disc Blade 14" - Notched	189214
9	Top Link (CAT. 0)	195165
10	Bearing Stand	310049
11	Jack	131120
12	Hitch 1-7/8" Ball	195169
13	Spacer 7-1/4"	310029
14	Spacer 3"	310030
15	Pull Tongue	403892
16	Cross Axle	403897
17	Axle Washer	322005

48" COMPACT DISC



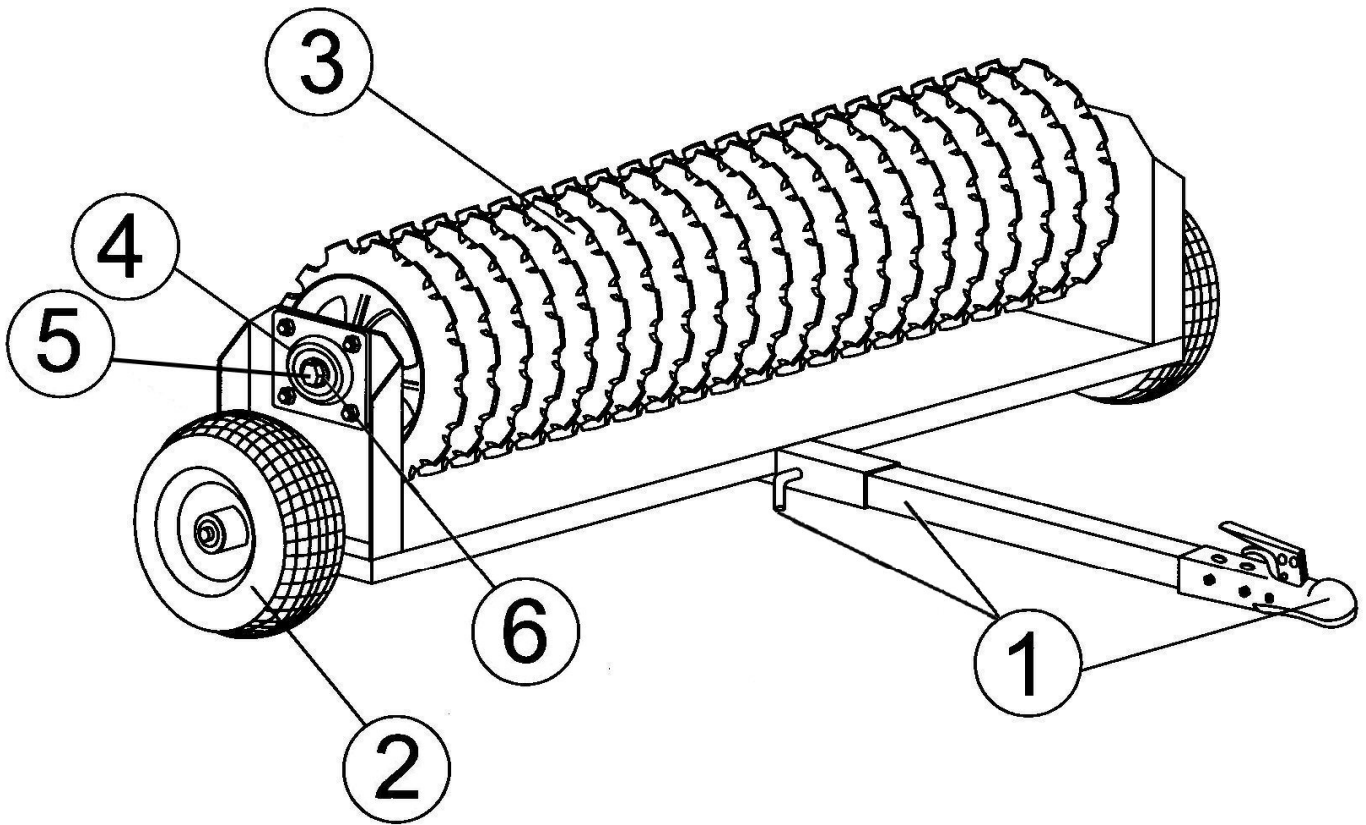
Ref. No.	Part Name	Part #
	Model #	14-14-CD
1	Tire & Rim	168025
2	Disc Axle	401033
3	Plastic End Cap (Pkg. 2)	504090
4	Sealed Bearings & Flanges	504125
5	Bearing Stand Bolt Pkg. (2-U-Bolts)	504093
6	Locknuts – 1" (Pkg. 4)	504280
7	Cotter Pin & Wheel Washer (Pkg.)	504095
8	Disc Blade 14" - Notched	189214
9	Top Link (CAT. 0)	195165
10	Bearing Stand	310049
11	Jack	131120
12	Hitch 1-7/8" Ball	195169
13	Spacer 7-1/4"	310029
14	Spacer 3"	310030
15	Axle Washer	322005
16	Pull Tongue	403893
17	Cross Axle	403898

FLIP OVER DISC



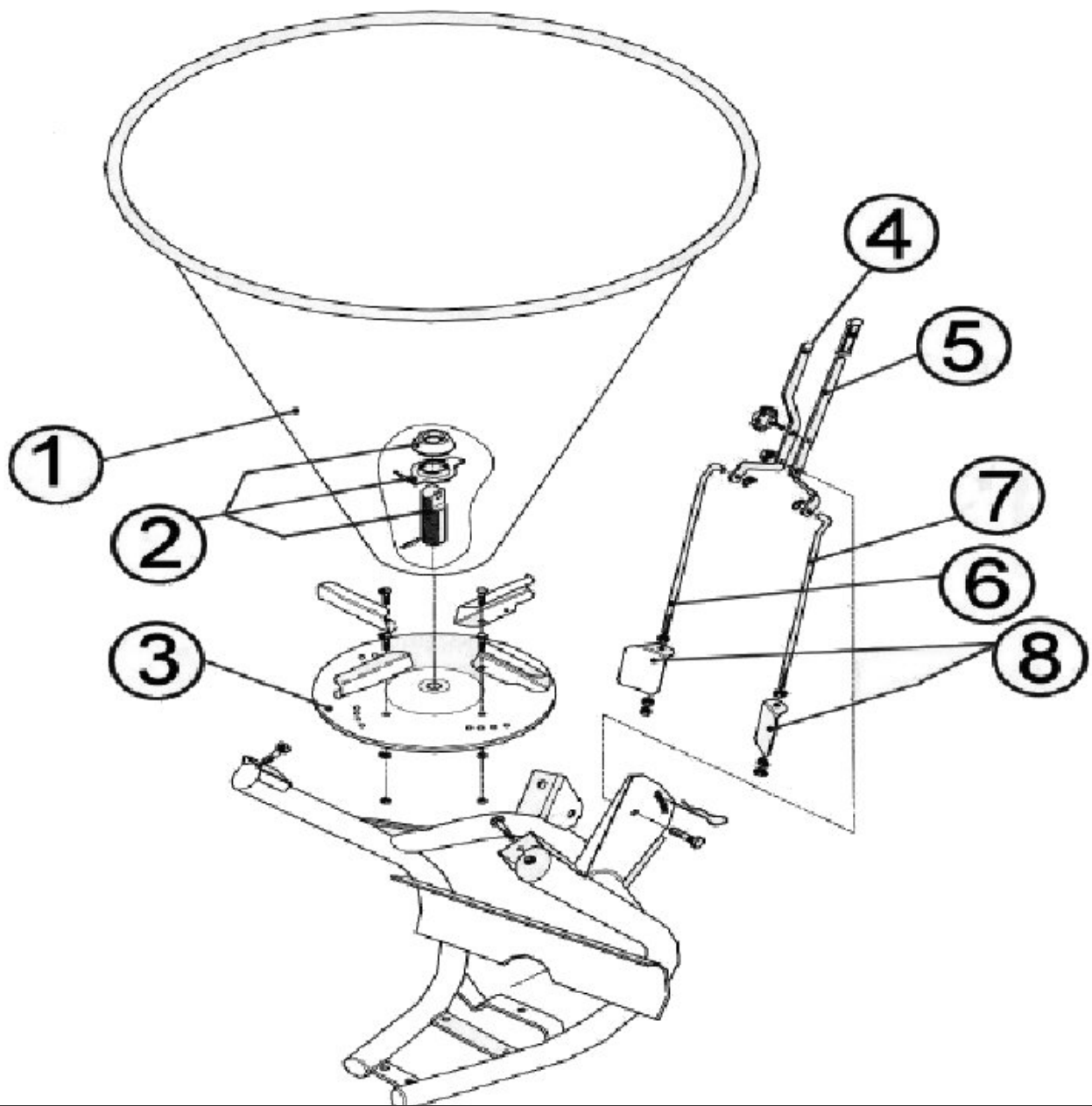
Ref. No.	Model #	Part #
	Model #	16-8-CDF
1	Hitch 1-7/8" Ball	195169
2	Tongue	403891
3	Tire & Rim	168025
4	Axle Bolt & Spacer Pkg.	504130
5	Sealed Disc Bearing Assembly	504125
6	Hanger Bolt Set (2) 5/8 U-Bolts, Nuts & Washers	504099
7	3" Plastic Cap	124132
8	Bearing Stand Plate	360508
9	1" Locknut (Pkg. 4)	504280
10	Axle	178000
11	Nut Washer 3-1/2"	129605
12	Disc Blade Notched 16"	189216
13	Spacer Spool 2-3/8"	129525
14	Spacer 3-5/8"	129550
15	Large Spacer 7-1/2"	129500
16	Fixed Handle Hitch Pin	194110
17	Bumper Washer 6-5/8"	129600

ATV KULTIPACKER



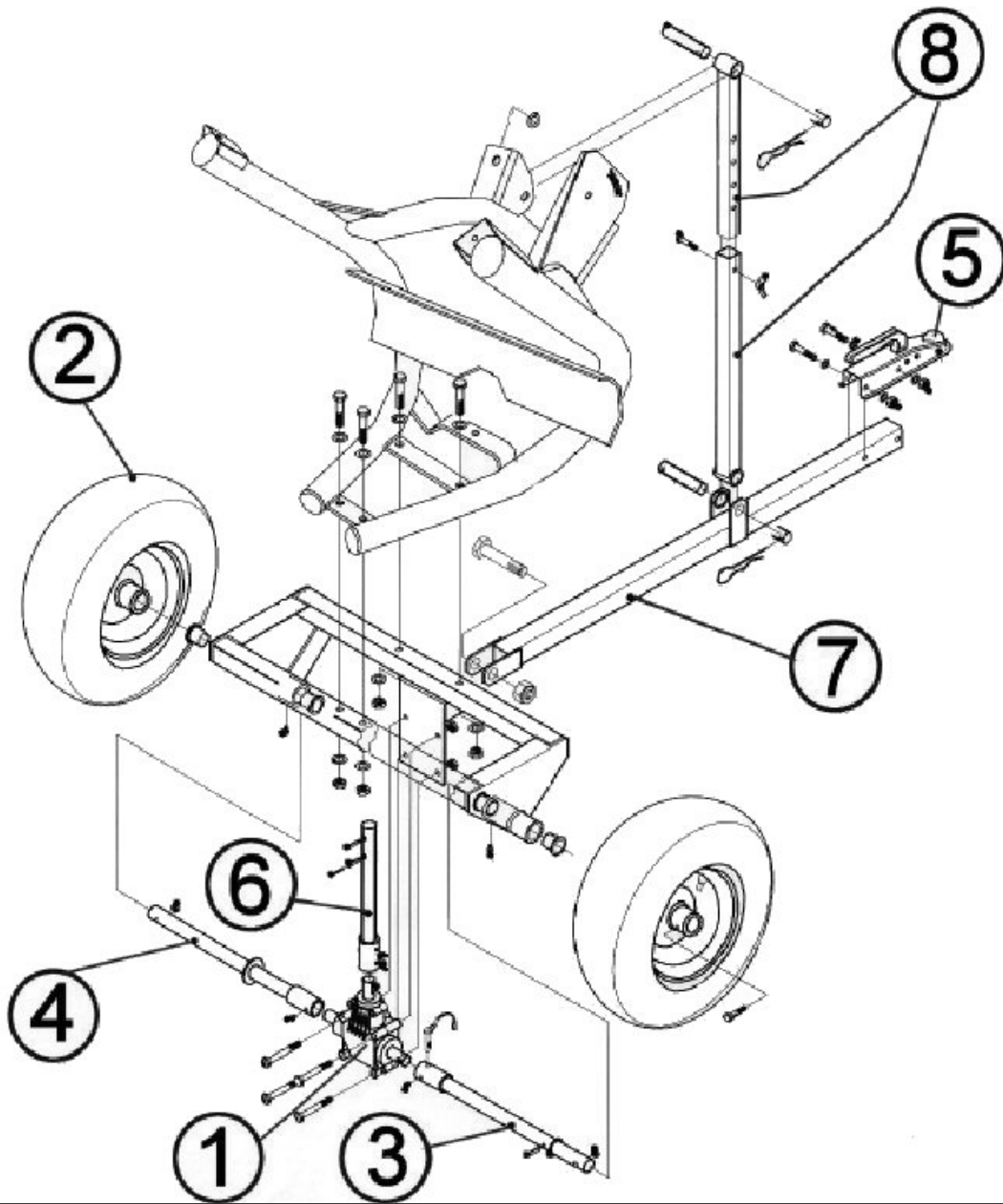
Ref. No.	Model #	Part #
		KP-48-ATV
1	Tongue Pkg. (1-7/8" Ball Hitch, Tongue, Pin)	504060
2	Tire & Wheel	171030
3	Kulti-Packer Wheel 9-1/2" X 2-1/4"	171021
4	Sealed Bearing (ABT ST491A)	171025
5	Axle	380605
6	Lock Collar 1-3/4" ID	155330

S-ATV-180 PARTS



Ref. No.	Model #	Part #
	S-ATV-180	
1	Hopper	900124
2	Lower Agitator Kit	509000
3	Spreader Disc w/ Blades	900004
4	Right Hand Shutter Lever - Long	900132
5	Left Hand Shutter Lever - Long	900131
6	Right Hand Lever Tie Rod	900123
7	Left Hand Lever Tie Rod	900121
8	Shutters - (1) Left & (1) Right	509001

S-ATV-180 PARTS



Ref. No.	Model #	Part #
	S-ATV-180	
1	Gearbox	900125
2	Tire 16 x 6.50- 8	900126
3	Left Axle	900127
4	Right Axle	900128
5	1-7/8' Ball Hitch	195169
6	Output Shaft w/ Bushing	900129
7	Tow Bar for 1-7/8" Hitch	900118
8	Tongue Rod	900119



1. Limited Warranty.

King Kutter, Inc. ("King Kutter"), P.O. Box 1200, Winfield, Alabama 35594, warrants to the original retail purchaser ("Purchaser") that the product that is the subject of this sale is free from defects in material and workmanship at the time of sale.

Under this warranty, King Kutter will repair the defective product free of charge to the Purchaser, with either new or used and reconditioned replacement parts. All warranty service will be performed at service centers designated by King Kutter. If King Kutter is unable to repair the product to conform to the warranty after a reasonable number of attempts, King Kutter will provide, at its option, one of the following: (a) a replacement for the product or, (b) a full refund of the purchase price. Repair, replacement, or refund are the Purchaser's EXCLUSIVE remedies against King Kutter under this limited warranty. King Kutter will not be liable for any special, incidental or consequential damages based upon breach or warranty, breach of contract, negligence, strict tort liability, or any other legal theory. Such damages include, but are not limited to, loss of profits, loss of savings or revenue, loss of use of the product or any associated equipment, cost of capital, cost of any substitute equipment, facilities or services, down time, the claims of third parties including customers, and injury to property. These limitations also apply, to the extent allowed by law, to personal injury.

The purchaser must notify the Seller in writing of any defect in material or workmanship within one (1) year following the date of purchase. If the equipment is used for commercial purposes, the Purchaser must notify the Seller in writing of any defect in material or workmanship within ninety (90) days following the date of purchase. In no event will King Kutter be liable under this warranty unless written notice is received by the Seller within one (1) year from the date of original retail sale.

2. Warranty of Title.

King Kutter warrants that it transfers a good title to the product free of any encumbrances, and free of the rightful claim of any third party for infringement of patent or copyright.

3. What is Not Covered by This Limited Warranty.

King Kutter will not be responsible for damage to or failure in the product which results from accident, misuse, abuse, neglect, installation of attachments not provided by King Kutter, modifications to the product, or damage caused by use of the product for purposes other than those for which it was designed.

4. No Other Warranties.

Unless modified in writing and signed by both parties, this agreement is understood to be the complete and exclusive agreement and warranty between King Kutter and Purchaser, superseding all prior agreements, oral and written, and all other communication between King Kutter and Purchaser related to the subject matter of this agreement.

THIS LIMITED WARRANTY IS IN LIEU OF ALL OTHER WARRANTIES, EXPRESS OR IMPLIED, INCLUDING, BUT NOT LIMITED TO, THE IMPLIED WARRANTY OF MERCHANTABILITY AND THE IMPLIED WARRANTY OF FITNESS FOR A PARTICULAR PURPOSE. No employee of King Kutter nor anyone else is authorized to make any warranty or representation in addition to or different from those made in this agreement.

5. Allocation of Risk.

This agreement allocates the risk of product failure between King Kutter and the Purchaser. This Allocation is recognized by both parties as reflected in the price of the goods. The Purchaser acknowledges that he or she has read this agreement, understands it, and is bound by its terms.