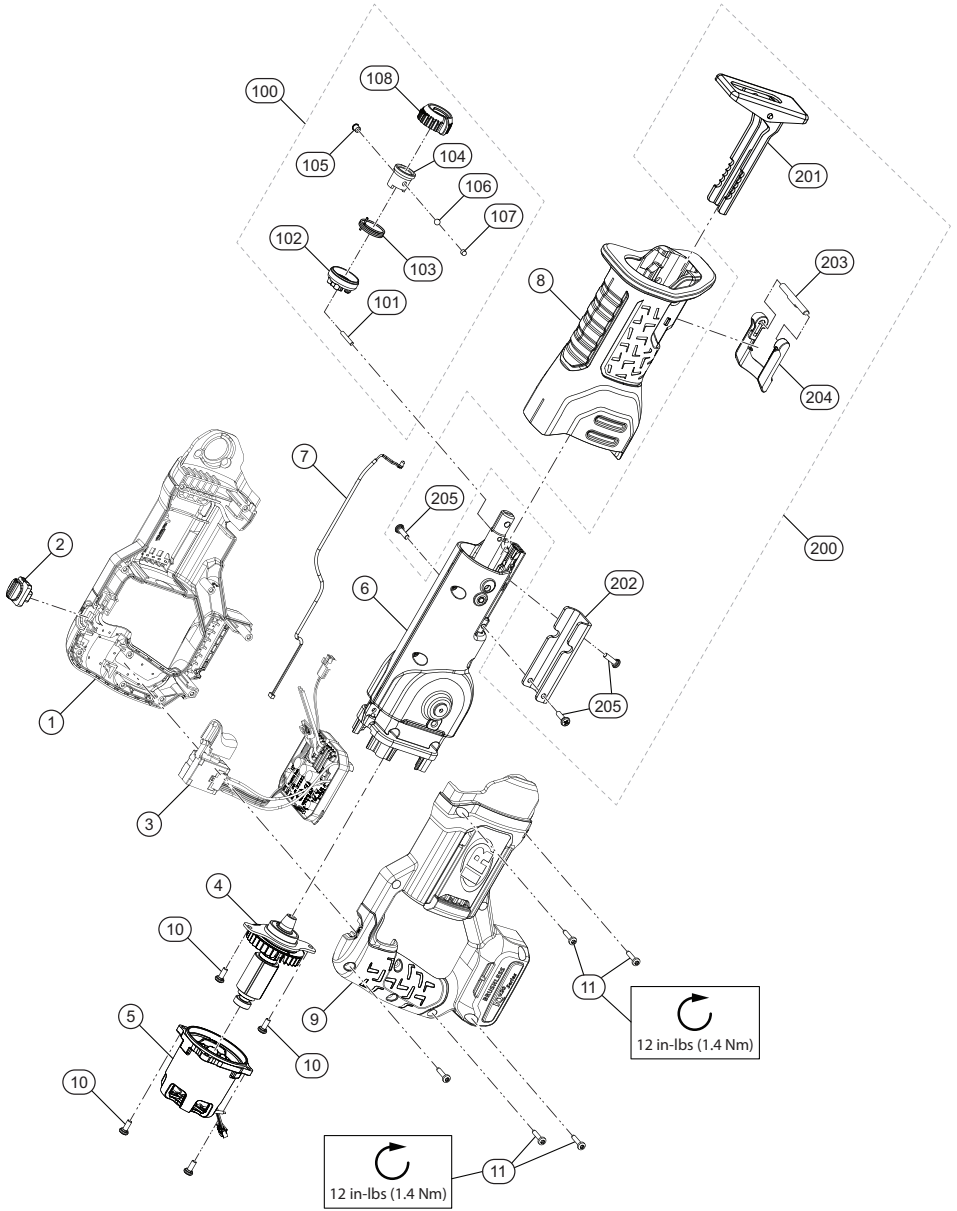


C5101, Cordless Reciprocating Saw - Exploded View



(Dwg. TL-C5101-PLM-1)

C5101, Cordless Reciprocating Saw - Parts List

Item	Part Description	Part Number (CCN)	Item	Part Description	Part Number (CCN)
	Guard Kit	TK-C5101-298	*	Label Kit	TK-C5101-099
8	Boot	---		Warning Label	---
	Housing Kit	TK-C5101-040		Information Label	---
1	Left Housing	---		Switch Kit	TK-C5101-410
9	Right Housing	---	3	Switch and PCB Assembly	---
2	Lock-off Shuttle	---		Bracket Kit	TK-C5101-600
11	Screw (10 required)	---	201	Bracket Assembly	---
	Motor/Drive Assembly	TK-C5101-054	*	20V Li-ion Battery Pack	
5	Stator Assembly	---		2.5 Ah	BL2012 (47515903001)
4	Rotor Assembly	---		2.8 Ah	BL2013
10	Screw with Washer (6 required)	---		5.0 Ah	BL2022 (47515902001)
	LED Kit	TK-C5101-030		5.6 Ah	BL2023
7	LED Worklight Assembly	---	*	Battery Charger	
	Gear Box Kit	TK-C5101-750		Battery Charger, Single Bay	BC1121 (47507879001)
6	Gearcase Assembly	---		Battery Charger, Dual Bay	BC1221
	Fastener Kit	TK-C5101-078	*	Protective Battery Boot	
205	Screw (3 required)	---		For 2.5 Ah & 2.8 Ah Batteries	BL2005-BOOT (47510965001)
11	Screw (10 required)	---		For 5.0 Ah & 5.6 Ah Batteries	BL2010-BOOT (47510964001)
10	Screw with Washer (6 required)	---			
200	Shoe and Clamp Assembly	TK-C5101-226	*	Storage/Carrying Bag	TB4 (47543666001)
201	Bracket Assembly	---			
202	Shoe Retainer	---			
203	Lock Pin for Shoe	---			
204	Lock Lever	---			
205	Screw (3 required)	---			
100	Chuck Assembly	TK-C5101-TCK			
101	Elastic Cylindrical Pin	---			
102	Chuck Cover	---			
103	Torsion Spring	---			
104	Chuck Base	---			
105	Pin	---			
106	Steel Ball	---			
107	Ball Head Pin	---			
108	Chuck Sleeve	---			

* Indicates not illustrated.

Parts and Maintenance

When tool life has expired, it is recommended that the tool be disassembled, degreased and parts separated by material for proper recycling.

Tool repair and maintenance should only be carried out by an Authorized Service Center.

Refer all communications to the nearest **Ingersoll Rand** office or distributor.

Related Documentation

Manuals can be downloaded from ingersollrand.com

For additional information, refer to:

Product Safety Information Manual 47559326001

Product Information Manual TL-C5101-PIM

Declaration of Conformity TL-C5101-DOC