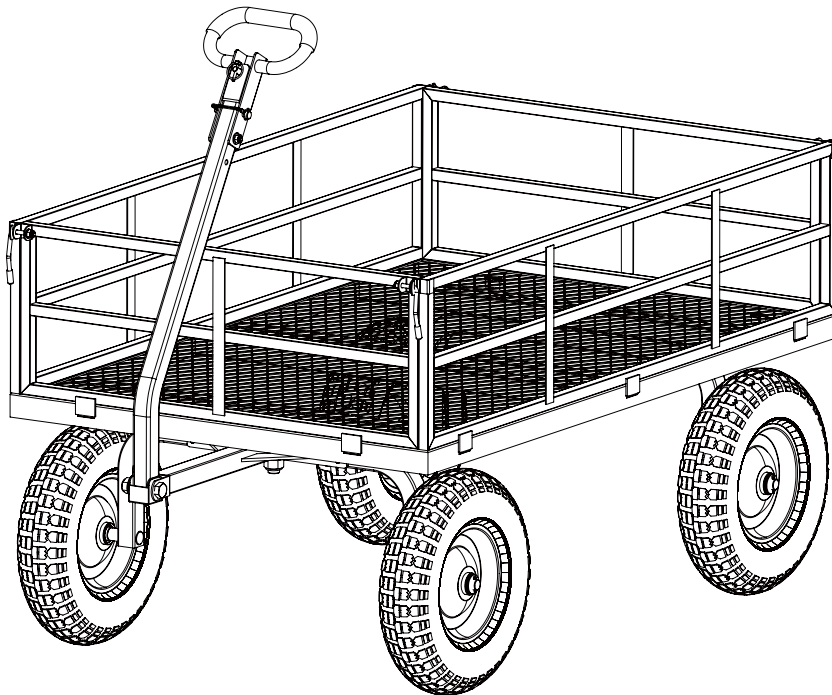




Pull/Tow 34"x52" Utility Wagon OWNER'S MANUAL



WARNING:

Read carefully and understand all **INSTRUCTIONS** before operating. Failure to follow the safety rules and other basic safety precautions may result in serious personal injury.

MODEL # YTF-3452UW

05282024

Thank you very much for choosing a Yard Tuff product. For future reference, please complete the owner's record below:

Model: YTF-3452UW Purchase Date: _____

Save the receipt, warranty and these instructions. It is important that you read the entire manual to become familiar with this product before you begin using it.

This product is designed for certain applications only. The manufacturer or distributor cannot be responsible for issues arising from modification. We strongly recommend this product not be modified and/or used for any application other than that for which it was designed. If you have any questions relative to a particular application, DO NOT use the product until you have first contacted the distributor to determine if it can or should be performed on the product.

For technical questions please call **218-943-6290**

TECHNICAL SPECIFICATIONS:

Tires:	16" x 4"
Capacity:	1400 lbs
Material:	Steel
Bed size:	34" x 52"

GENERAL SAFETY RULES:

⚠ WARNING: Read and understand all instructions. Failure to follow all instructions listed below may result in serious injury and/or property damage.

⚠ CAUTION: Do not allow persons to operate or assemble this wagon until they have read this manual and have developed a thorough understanding of how the wagon works.

⚠ WARNING: The warnings, cautions, and instructions discussed in this instruction manual cannot cover all possible conditions or situations that could occur. It must be understood by the operator that common sense and caution are factors that cannot be built into this product, but must be supplied by the operator.

WORK AREA

- **Keep the work area clean and dry**, free of clutter and well lit. Dark, cluttered, damp or wet work areas can cause accidents and result in injury.
- **Keep children away from work area.** Do not allow children to handle this product.
- **Be aware of all power lines, electrical circuits**, water pipes and other mechanical hazards in your work area, particularly those hazards below the work surface hidden from the operator's view that may be unintentionally contacted and may cause personal harm or property damage.
- **Be alert of your surroundings.** Using the wagon in confined work areas may put you in a dangerous situation.

PERSONAL SAFETY

- **Stay alert**, watch what you are doing and use common sense when using the wagon. Do not use the wagon while you are tired or under the influence of drugs, alcohol or medication. A moment of inattention while operating the wagon may result in serious personal injury.
- **Always wear approved safety glasses and heavy-duty work gloves during assembly and use.** Do not wear loose clothing, dangling objects, or jewelry. Keep your hair, clothing and gloves away from moving parts. Loose clothes, jewelry or long hair can be caught in moving parts.
- **DO NOT use the equipment when tired or under the influence of drugs, alcohol, or medication.** A moment of inattention while operating this equipment may result in serious personal injury.

WAGON USE AND CARE

- **Do not modify the wagon in any way.** Unauthorized modification may impair the function and/or safety and could affect the life of the equipment.
- **BE AWARE of side hills or steep inclines.** Operate on flat surfaces as small inclines or hills can cause wagon to tip over or roll out of control.
- **NEVER use this wagon at speeds higher than 5MPH.** This wagon is designed to operate at low speeds at all times.
- **Not recommended to transport people or pets.**
- **Check for damaged parts.** Before using this product, carefully check that it will operate properly and perform its intended function. Check for damaged parts and any other conditions that may affect the operation of this product. Replace damaged or worn parts immediately.

SAFE OPERATION

 **WARNING:** The wagon must only be used to carry goods. Do not use it as personal transportation.




- **MAX LOAD: 1400 LBS**
- **DO NOT** inflate Tires more than 30 psi.
- **DO NOT** operate if any part is damaged or broken.
- Lower side rails when loading large items onto wagon.
- Distribute load evenly in wagon bed.
- **DO NOT** use on steep inclines where tipping may occur.
- **When loading and unloading the wagon, be careful of the balance of the wagon. Always be careful of the Handle which can tip and fall from the upright position.**
- **Always block the four wheels when loading or unloading the wagon.**
- **DO NOT** allow children to use this wagon.
- **DO NOT** leave anyone unattended in the wagon.



MAINTENANCE

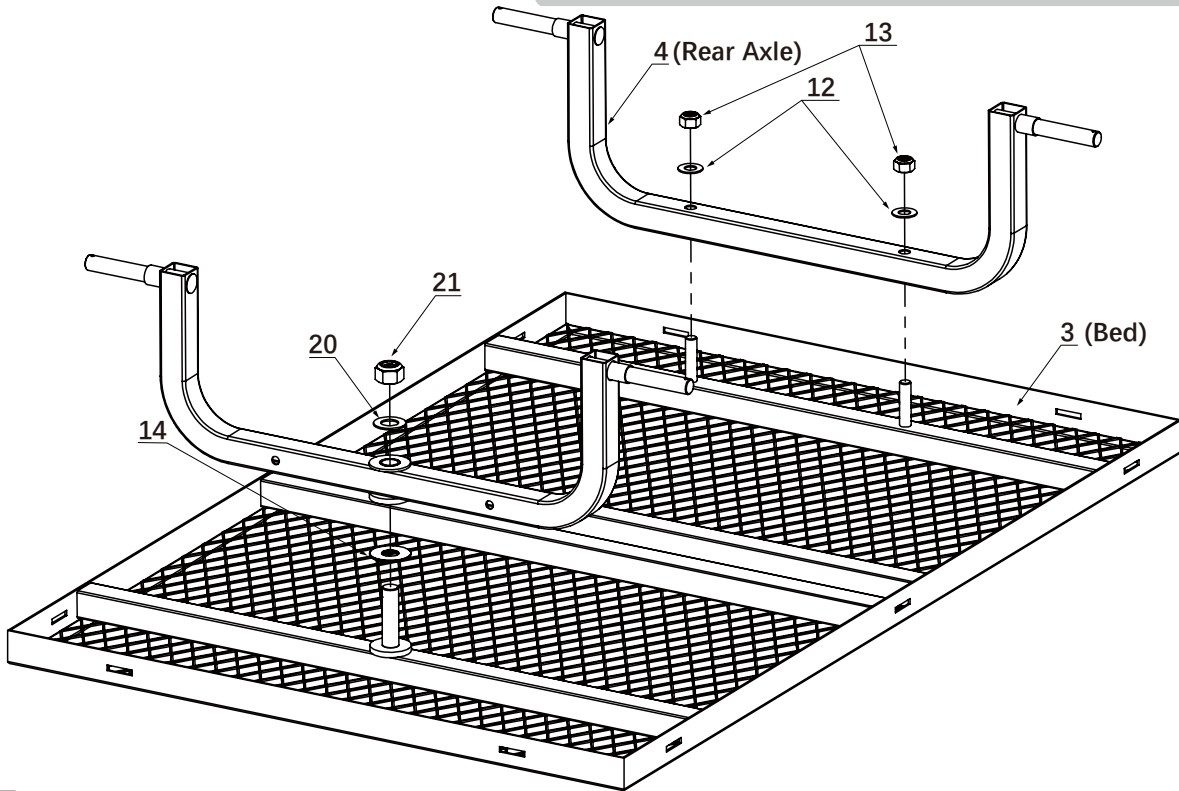
- **Maintain your wagon.** It is recommended that the general condition of the wagon be examined before it is used. Keep the wagon in good repair by adopting a program of conscientious repair and maintenance in accordance with the recommended procedures found in this manual.
- **Keep the wagon clean.** A properly maintained wagon will work more effectively. Keep all of parts dry, clean, and free from oil and grease.
- Lubricate the steering area before use for easy operation.
- When not in use, store the wagon in a place which is dry and out of direct sunlight.
- Check tire pressure.
- Check hardware. Tighten or replace if any hardware is loose or damaged.

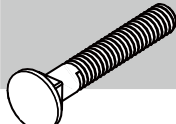


ASSEMBLY INSTRUCTIONS

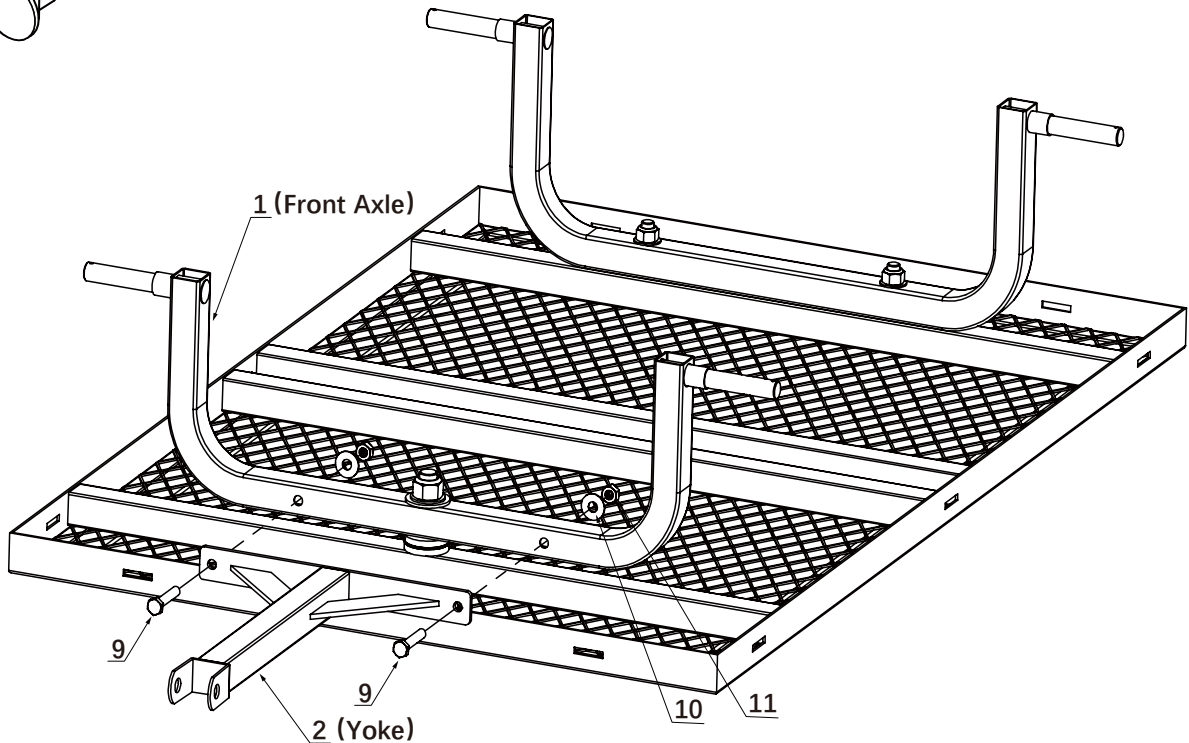
NOTE: Do not completely tighten screws until the assembly is complete. For easier assembly, we recommend two people to assemble this product.

1  **x2** #12 ϕ 14 Washer  **x2** #13 M14 Lock Nut  **x1** #14 Plastic Washer

 **x1** #20 ϕ 20 Washer  **x1** #21 M20 Lock Nut



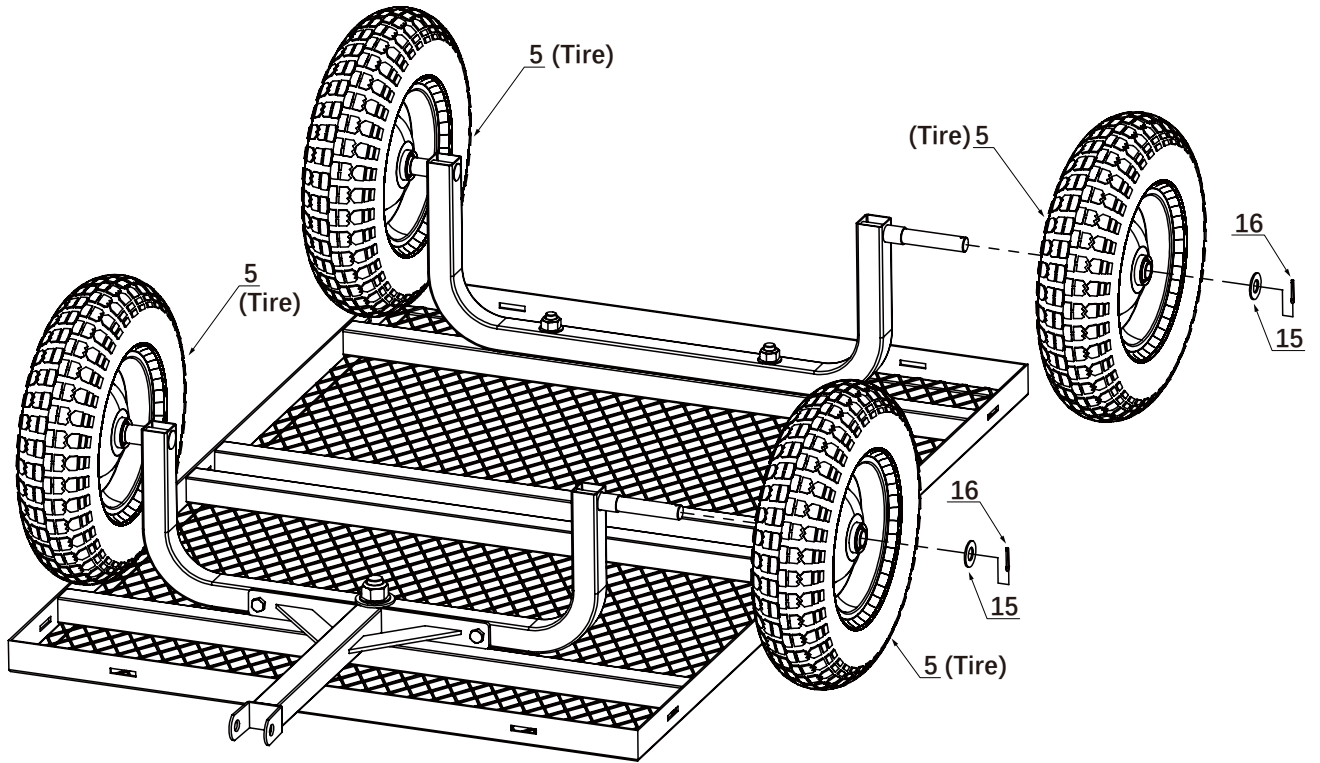
2  **x2** #9 M10 x 55 Bolt  **x2** #10 ϕ 10 Washer  **x2** #11 M10 Lock Nut




3

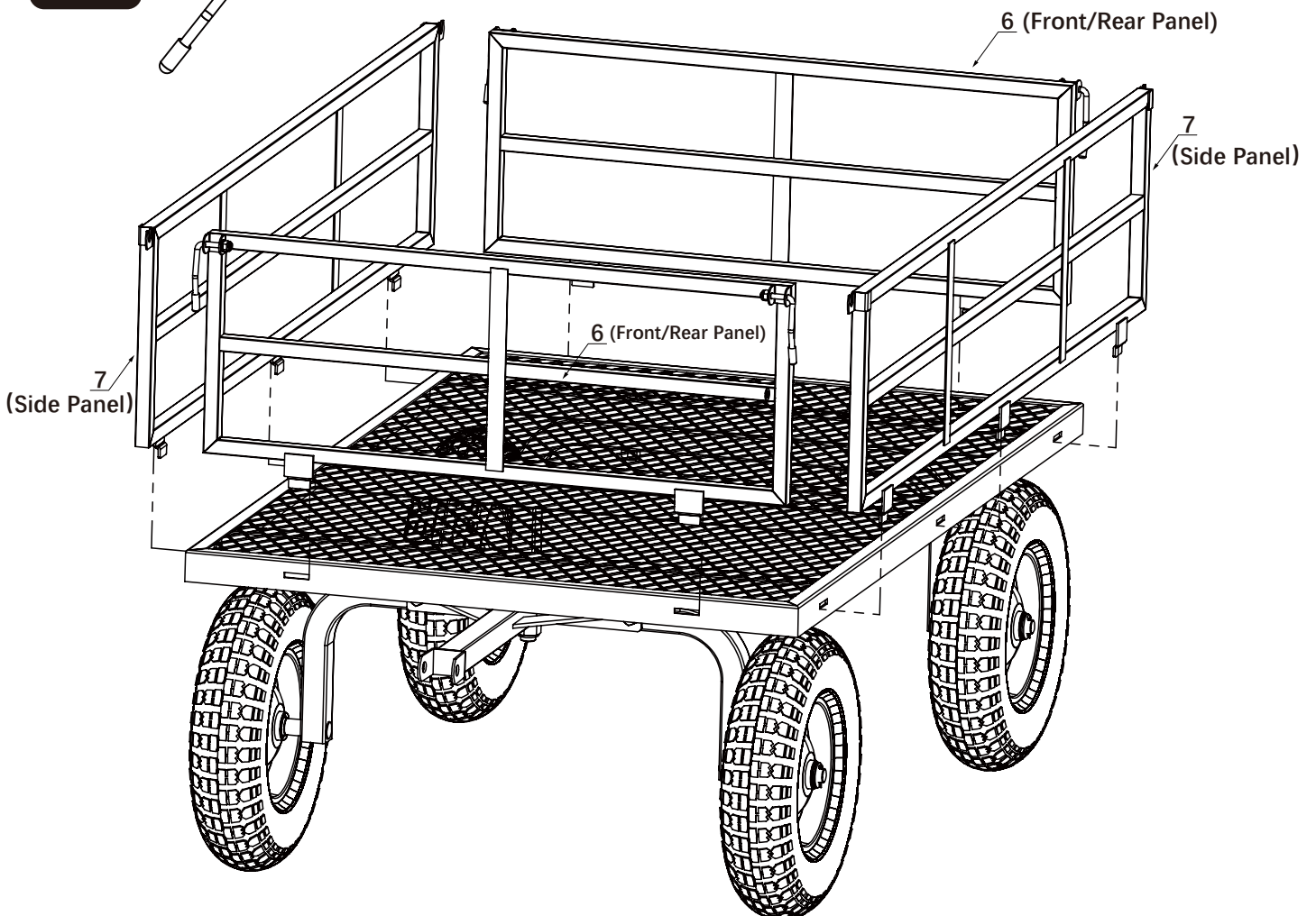
 **x4** #15
φ 20 Washer

 **x4** #16
Cotter Pin

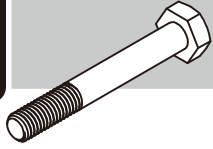


4

 **x4** #22
Latch with φ8 Washer/M8 Nut.



5



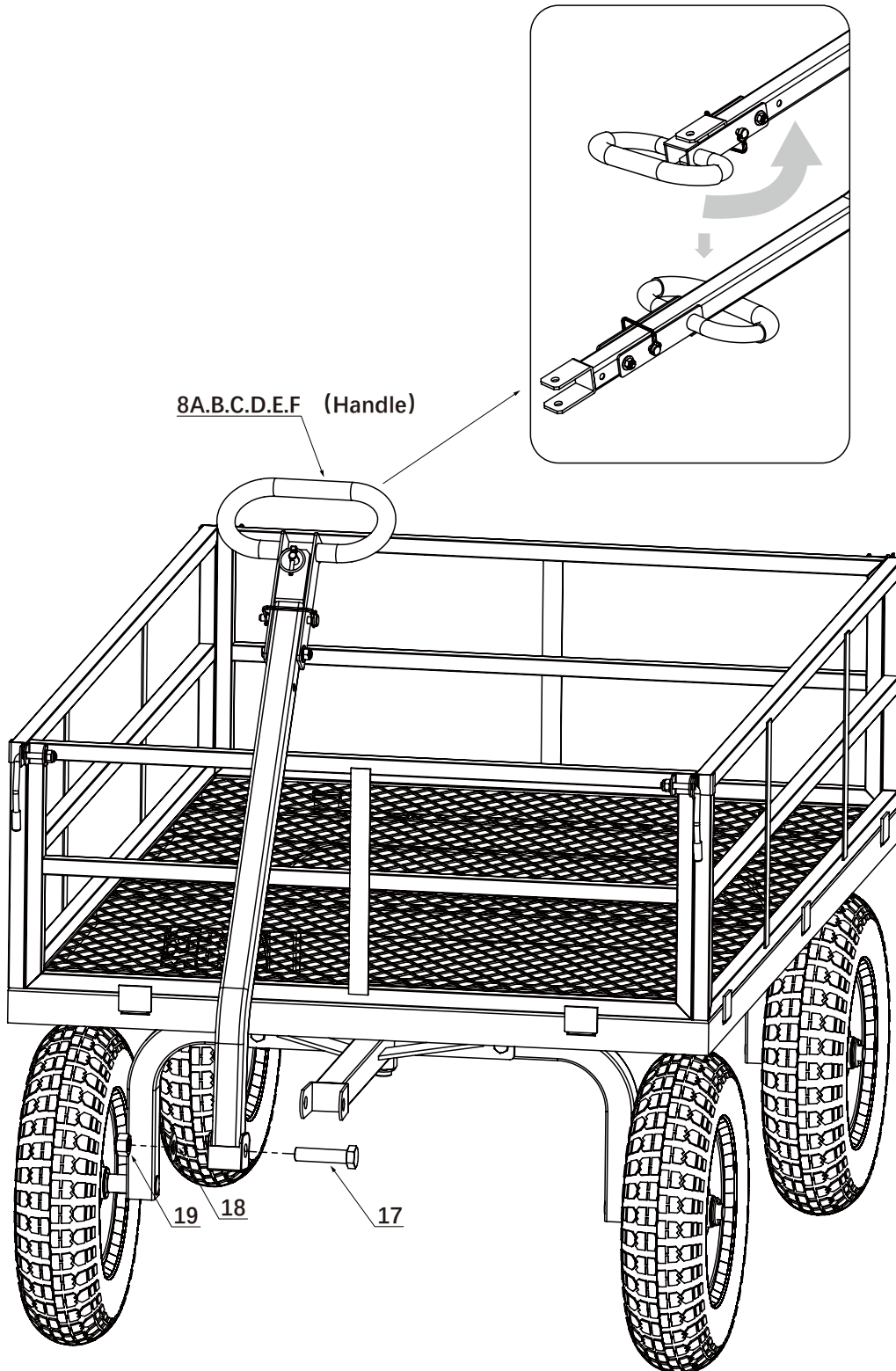
x1 #17
M16*65 Bolt



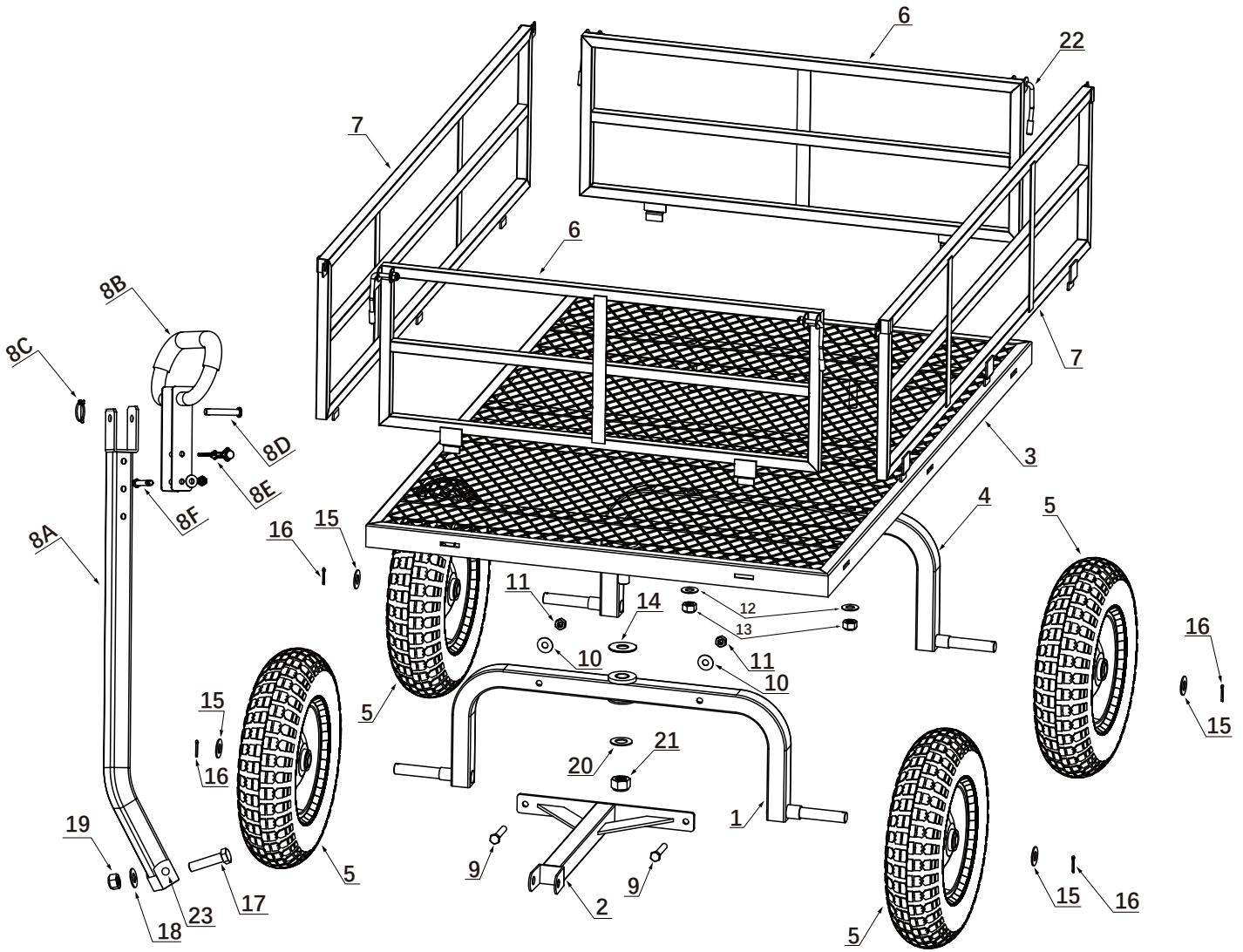
x1 #18
φ 16 Washer



x1 #19
M16 Lock Nut



PARTS DIAGRAM and PARTS LIST:



Part List

Part#	Description	Qty	Part#	Description	Qty
1	Front Axle	1	10	φ 10 Washer	2
2	Yoke	1	11	M10 Lock Nut	2
3	Bed	1	12	φ 14 Washer	2
4	Rear Axle	1	13	M14 Lock Nut	2
5	Tire	4	14	Plastic Washer	1
6	Front/Rear Panel	2	15	φ 20 Washer	4
7	Side Panel	2	16	Cotter Pin	4
8A	Square Handle	1	17	M16*65 Bolt	1
8B	D Handle	1	18	φ 16 Washer	1
8C	O Pin φ4.5*28	1	19	M16 Lock Nut	1
8D	Straight Pin φ10*65	1	20	φ 20 Washer	1
8E	Square Pin φ8*6	1	21	M20 Lock Nut	1
8F	M8*55 Bolt, M8 Lock Nut with φ8 Washer.	1	22	Latch with φ8 Washer/M8 Nut.	4
9	M10 × 55 Bolt	2	23	Plastic Cap	1

WARRANTY

One-year limited parts warranty

FOR TECHNICAL QUESTIONS, CALL 218-943-6290



BAC Industries
PO BOX 155
Miltona, MN 56354

Made in CHINA