

## 4-BURNER GAS GRIDDLE WITH HARD COVER

PLANCHA DE GAS DE 4 QUEMADORES CON CUBIERTA DURA

PLAQUE DE CUISSON DE GAZ À 4 BRÛLEURS AVEC COUVERCLE RIGIDE



### FOR YOUR SAFETY! | ¡PARA SU SEGURIDAD! | POUR VOTRE SÉCURITÉ!

Use outdoors only!  
Read the instructions before  
assembling and using the appliance.

¡Solo usa al aire libre!  
Lea las instrucciones antes  
de montar y utilizar el aparato.

Utilisez uniquement à l'extérieur!  
Lisez les instructions avant  
d'assembler et d'utiliser l'appareil.

### CONTACT US FIRST! | ¡PÓNGASE EN CONTACTO CON NOSOTROS PRIMERO! | CONTACTEZ-NOUS D'ABORD!

If you have any questions that are  
not addressed, please contact us first.

Si tiene alguna pregunta que no se  
aborde en este Manual del Usuario,  
póngase en contacto con nosotros primero.

Si vous avez des questions qui ne  
sont pas traitées dans ce manuel de  
l'utilisateur, contactez-nous d'abord.



Customer Service / Servicio al Cliente / Service de Clientèle



1-800-618-6798



service@royalgourmetusa.com

Learn more at / Obtener más información en / Pour en savoir plus:

[www.royalgourmetusa.com](http://www.royalgourmetusa.com)



# CONTENTS

For Your Safety .....	2-3
General Information and Instructions .....	4-6
Operating Instructions .....	7-8
Cleaning and Maintenance .....	9-10
Troubleshooting Guide .....	11-12
Meat Temperature Chart .....	13
Warranty and Customer Service .....	14
Parts Diagram .....	43
Parts List .....	44-45
Hardware List .....	45
Assembly .....	46-49

## **DANGER**

### **If you smell gas:**

1. Shut off gas supply to the griddle.
2. Extinguish any open flame.
3. If odor remains, keep away from the griddle and immediately call your fire department.

**NOTE:** Read all instructions prior to assembly and use. Failure to follow the instructions in this manual could result in bodily injury and/or property damage.

## **WARNING**

1. The installation must conform with local codes or, in the absence of local codes, with either the *National Fuel Gas Code*, ANSI Z223.1/NFPA 54.
2. Do not store or use gasoline or other flammable liquids or vapors in the vicinity of this or any other appliance.
3. An LP cylinder not connected for use shall not be stored in the vicinity of this or any other appliance.

## **WARNING**

DO not use the hard cover as a griddle lid while cooking.

In case of any issue, call us first! **DO NOT** return the griddle to the retailer. This griddle has been made to high quality standards. If you have any questions not addressed in this user's manual, or you need parts, please call our customer service hotline.

### **CAUTION**

1. The gas griddle is meant for use with propane gas only (propane gas cylinder not included).
2. Never use charcoal or lighter fluid with gas griddle.
3. Never attempt to attach this griddle to the self-contained propane system of a camper trailer, motor home, or house.
4. **DO NOT** use gasoline, kerosene, or alcohol for lighting. This griddle is not intended to be used in or on recreational vehicles or boats. This appliance is not intended for commercial use.
5. Children should never use your griddle. Keep children and pets away when in use.
6. **DO NOT** attempt to move the griddle while it is lit or hot. **DO NOT** alter the griddle in any manner.
7. **DO NOT** use the griddle unless it is completely assembled, and all parts are securely fastened and tightened.
8. **DO NOT** use the griddle or any gas products near unprotected combustible buildings and materials.
9. **DO NOT** use in the presence of gases or vapors. Keep the griddle area clear and free from combustible materials, gasoline, and other flammable vapors and liquids.
10. **DO NOT** touch metal parts of the griddle until it has completely cooled (about 45 minutes) to avoid burns, unless you are wearing protective gear (oven mitts, potholders, etc.).
11. Keep the griddle at least 91 cm (36 inches) from any wall or surface at all times. Maintain at least 10 feet clearance to combustible objects that can catch fire.
12. Do not operate this appliance under any overhead roof construction or foliage.
13. Clean and inspect the hose before each use. If there is evidence of abrasion, wear, cuts, or leaks, the hose must be replaced before operating the griddle. The replacement hose assembly must be as per the manufacturer specifications specified by the manufacturer.
14. Move the gas hose as far away as possible from hot surfaces and dripping hot grease.
15. Never keep a filled LP gas cylinder in a hot car or truck. Heat may cause the gas pressure to increase, which may cause the relief valve to open and allow the gas to escape.
16. Keep the griddle's valve compartment, burners, and circulating air passages clean. Inspect the griddle before each use. When cooking with oil/grease, do not allow the oil/grease to exceed 177 °C (350 °F).
17. Do not obstruct the air flow for combustion and ventilation.
18. Keep the ventilation openings of the cylinder enclosure free and clear from debris.
19. Please keep this Owner's Manual for future reference.



### **CALIFORNIA PROPOSITION 65 WARNINGS**

1. Fuels used in gas burning appliances and the combustion byproducts of such fuels, can expose you to chemicals including carbon monoxide, which is known to the State of California to cause birth defects or other reproductive harm.
2. This product contains Nickel (Metallic) known to the State of California to cause cancer.
3. This product contains Lead and Lead Compounds known to the State of California to cause cancer and birth defects or other reproductive harm.

For more information, go to: [www.P65Warnings.ca.gov](http://www.P65Warnings.ca.gov)

## ⚠ WARNING ⚠

1. This griddle is for **Outdoor Use Only** and should not be used inside a building, garage, or any other enclosed space.
2. The consumption of alcohol, prescription, or non-prescription drugs may impair the operators' ability to properly assemble or safely operate the griddle.
3. Always place your griddle on a hard and level surface far away from combustibles.
4. Do not leave a lit griddle unattended. ALWAYS keep children and pets away from the griddle.
5. Do not place the griddle on any type of tabletop surface.
6. Do not use the griddle in high winds.
7. Do not use the griddle to cook excessively fatty meat or other fatty or greasy food where there is risk of flare-ups.

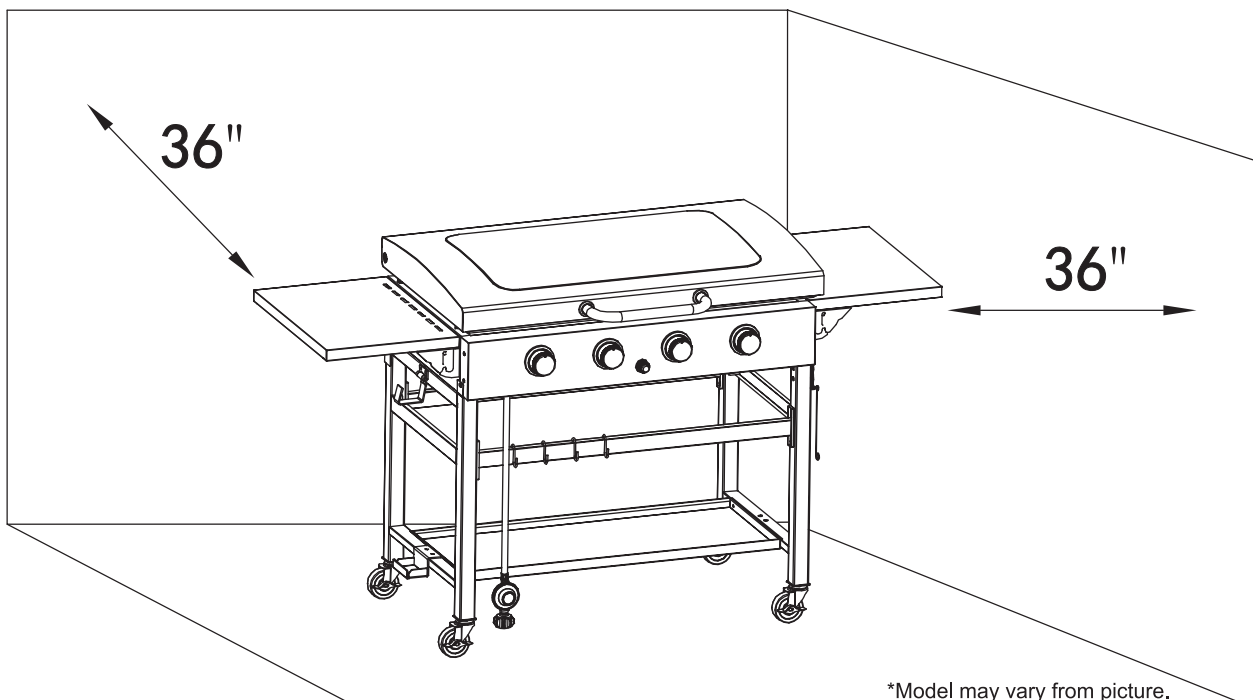
## ⚠ DANGER: LP CYLINDER RISK ⚠

Liquid propane gas is flammable and hazardous if handled improperly. Understand the characteristics before using any propane product.

1. Propane characteristics: Flammable, explosive under pressure, heavier than air, settles in pools and low areas.
2. In its natural state, propane has no odor. For your safety, an odorant has been added.
3. Contact with propane can cause freeze burns to the skin.
4. This griddle is shipped from the factory for use with propane gas only.
5. Never use a propane cylinder with a damaged body, valve, collar, or footing.
6. Dented or rusted propane cylinders may be hazardous and should be checked by your propane gas supplier.

## ⚠ FOR YOUR SAFETY ⚠

1. Keep the griddle at least 91 cm (36 inches) from any wall or surface at all times. Maintain at least 10 feet clearance to combustible objects that can catch fire.
2. Do not place the griddle where there are combustible surfaces overhead.



## INSTRUCTIONS FOR USE

Follow the instructions carefully to avoid seriously damaging your griddle and causing injury to yourself and to property.

1. Assemble the griddle as per the assembly instructions carefully.
2. Connect the LP cylinder to the griddle (LP cylinder not included).
3. REMOVE the hard cover. Turn all control knobs to the OFF position before turning on the gas supply to the griddle.
4. Operate the regulator in accordance with the instructions supplied with the regulator.

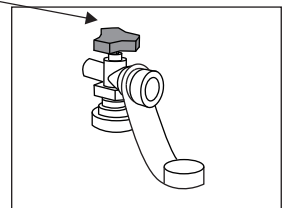
## LP GAS AND CYLINDER INFORMATION

Your new gas griddle operates on LP (Liquified Petroleum) Gas. It is odorless, colorless, and non-toxic when produced. You can smell LP gas as it has been given an odor similar to rotten eggs for your safety.

The LP cylinder used with your griddle must have two features:

Triangular Hand Wheel

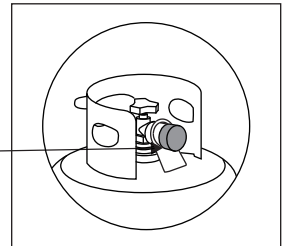
1. An OPD (Overfill Protection Device) that prevents accidental gas leaks caused by overfilling of the cylinder. Each cylinder contains a float that closes the input valve when the cylinder is 80% full. This allows room or the propane gas to expand in hot temperatures. A triangular hand wheel distinguishes this type of cylinder.
2. An QCC1 Type1 Quick Connect Valve that provides fast cylinder hook-ups and requires only to be tightened by hand.



## TRANSPORTATION AND STORAGE

1. The LP cylinder must include a collar to protect the gas supply valve.
2. Do not store a spare LP cylinder under or near the griddle.
3. Never fill the LP cylinder beyond 80% capacity.
4. If the warnings 2 and 3 above are not heeded exactly, a fire causing death or serious injury may occur.
5. Always transport in an upright position.
6. Do not smoke when transporting your LP cylinder.
7. Place a dust cap on the cylinder gas valve outlet whenever the cylinder is not in use. Use only the type of dust cap that is provided with the cylinder valve when purchased. Other types of cap or plugs may result in leakage of propane.

Dust Cap



## CYLINDER SPECIFICATIONS

1. Cylinder purchased or exchanged for your gas griddle must be manufactured and marked in accordance with the specifications for LP Gas cylinder of the U.S. Department of Transportation (DOT) or the National Standard of Canada, CAN/CSA-B339, Cylinders, Spheres and Tubes for Transportation of Dangerous Goods and Commission, be equipped with a listed over-filling prevention device (OPD), and be equipped with a cylinder connection device compatible with connection for outdoor cooking appliances.
2. The LP gas cylinder used for this appliance must not have a capacity exceeding 20 lb. (9.1 kg). Approximately 18" (45.7 cm) high and 12" (30.5 cm) diameter.
3. This griddle is designed to fit Worthington, Manchester, or SMPC brand 20 lb. (9.1 kg) cylinders. Other brands may fit this griddle if the top collar and bottom support ring have similar dimensions.

### THE CYLINDER MUST ALSO BE EQUIPPED WITH:

1. A shut-off valve terminating in a Type 1 gas cylinder valve outlet
2. A Type 1 valve that prevents gas flow until a positive seal is made
3. A collar to protect the cylinder shut-off valve
4. A safety relief device that is directly linked with the vapor space of the cylinder

## ⚠ WARNING ⚠

A frosty cylinder valve indicates possible gas overfill. Close the LP valve and call your LP dealer immediately.

1. DO NOT connect this griddle to an existing #510 POL cylinder valve with left-hand threads. The Type 1 valve can be identified by the large external threads on the valve outlet.
2. DO NOT connect to a propane cylinder exceeding this capacity.
3. DO NOT connect to a cylinder that uses any other type of valve connection device.

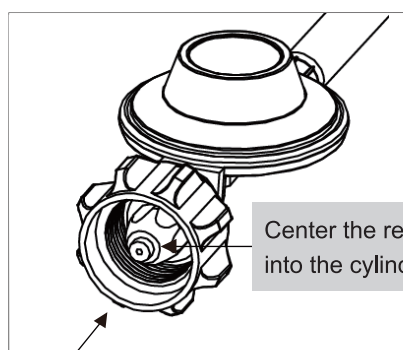
## CONNECTING REGULATOR TO LP CYLINDER

### ⚠ CAUTION ⚠

Only use the gas pressure regulator provided with this outdoor cooking appliance. This regulator is set for an outlet pressure of 11 inches water column.

Your regulator is equipped with a QCC Type 1 quick connect system. It does not allow gas to flow until a positive seal has been made. It has a thermal element that will shut off the gas flow if the temperature reaches 115 °C (240 °F). It also has a flow-limiting device that restricts the flow of gas to 0.28 cubic metrics per hour (10 cubic feet per hour).

1. Make sure the LP cylinder is OFF by turning the hand wheel clockwise until it stops.
2. Properly secure the LP cylinder onto the cylinder hook and base.
3. Be sure all burner controls are turned to the OFF position.
4. Remove the safety cap from the cylinder valve.
5. Center the regulator nipple into the cylinder valve.
6. Turn the coupling nut clockwise until it stops. Hand tighten Only. Do not use a wrench.

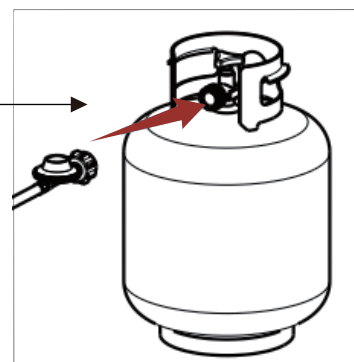


QCC 1 Type 1 Connector

The regulator must enter the cylinder valve in a straight line.

### ⚠ WARNING

Always keep the gas cylinder in the upright position at all times.



### ⚠ WARNING ⚠

1. Do not connect this griddle to any unregulated sources of propane.
2. Before each use, check the gas hose for excessive abrasion, wear, or cuts. Replace a damaged hose assembly with the one specified in the parts list before using the griddle.
3. Always perform the Leak Test listed below before using your griddle for the first time, if the cylinder has been changed, if any gas supply components have been changed, if the regulator flow-limiting device has been activated, or after a long period of non-use.
4. Do not attempt to connect this griddle to the LP system of a motor home or trailer.

# LP CYLINDER LEAK TEST

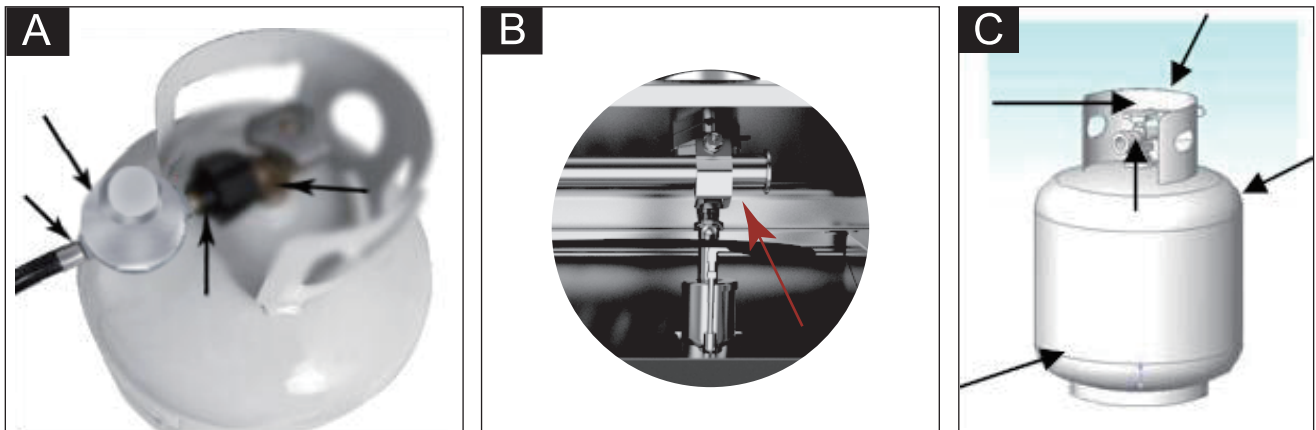
1. Leak test must be repeated each time the LP cylinder is exchanged or refilled.
2. DO NOT smoke or have anything nearby that can easily ignite, such as lighters or matches.
3. DO NOT use an open flame to check for gas leaks.
4. The appliance must be leak checked outdoors in a well-ventilated area away from open flames or sparks.
5. REMOVE any pots or other cookware from the burner before beginning the test.

## STEPS FOR LEAK TEST:

Use a clean paint brush and 50/50 soap and water solution.

**NOTE:** Use a mild soap and water. DO NOT use household cleaning agents, which could damage the gas component.

1. Turn all burner control knobs, regulator and cylinder valves OFF.
2. Be sure regulator is tightly connected to LP cylinder.
3. Completely open LP cylinder valve by turning hand wheel counterclockwise. If you hear a rushing sound, turn gas off immediately. There is a major leak at the connection. Correct before proceeding.
4. Brush the soapy solution onto all metal seams and the entire valve area as shown in figures below.



5. Slowly turn the LP cylinder valve counterclockwise to the open position.
6. A leak is identified by a flow of bubbles from the area of the leak. Close LP cylinder valve immediately and retighten connections.
7. If leaks cannot be stopped, do not try to repair, contact your gas griddle dealer for assistance. Do not attempt to operate appliance if a leak is present.
8. Always examine the hose for any damage. If damage is observed, do not attempt to patch the hose. Replacing the hose is the only safe option.
9. For assistance with any malfunction related to the LP cylinder, regulator or hose, contact customer service.
10. Always close LP cylinder valve after performing leak test by turning hand wheel clockwise.

**UNDER NO CIRCUMSTANCE SHOULD THE VALVE REMAIN IN THE ON POSITION FOR MORE THAN 12 SECONDS.**

## ⚠ WARNING ⚠

1. DO NOT USE THE GRIDDLE if there are leaks. Be sure the LP cylinder valve is closed. If the LP cylinder is still leaking, contact your LP dealer or call 911.
2. Do not use any matches, open flames, or smoke during leak testing.
3. Do not light any burners during leak testing.
4. Replacement parts, including a replacement hose assembly, must be as per the specifications in the parts list.

**Failure to comply with these instructions may result in serious bodily injury.**

Each griddle burner is tested and calibrated at the factory prior to shipment; however, variations in the local gas supply may make it necessary to adjust the burners. Please visually check the flames of the burners. Always visually inspect your griddle before lighting. Replace any hose that is frayed or cracked. Look for anything that could block ventilation and remove such a blockage or move the griddle. After lighting, check the flame pattern to ensure you have even heat distribution for each burner. If burners don't light up, or if the flame pattern is uneven, see the Troubleshooting section.

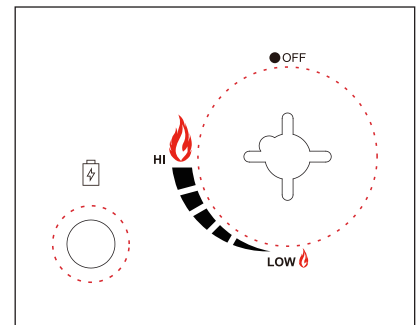
**⚠ WARNING: BEFORE LIGHTING ⚠**

1. Read the instructions before lighting.
2. If the burner does not ignite in 5 seconds, turn the burner control knob(s) off, wait 5 minutes and repeat the lighting procedure.
3. Inspect the gas supply hose prior to turning the gas "ON". If there is evidence of cuts, wear, or abrasion, it must be replaced prior to use. Do not use the griddle if the odor of gas is present. Only use the pressure regulator and hose assembly supplied with the unit.
4. Never use regulators and hose assemblies other than those supplied with the griddle. If a replacement is necessary, contact the manufacturer to get the proper replacement. The replacement must be as per the specifications in the Owner's Manual. **DO NOT LEAVE THE GRIDDLE UNATTENDED WHILE COOKING.**

## LIGHTING THE BURNERS USING ELECTRONIC IGNITION

1. REMOVE the hard cover. Turn ALL control knobs to OFF position.
2. Turn gas supply on at LP cylinder valve or at regulator.
3. Push in control knob and turn it anti-clockwise to HI position. Push and hold ignitor button to light the burner.
4. If the burner does not ignite, turn control knob to OFF position, wait for 5 minutes before attempting to relight the burner.
5. If the burner ignites, repeat for other burners, and turn the control knobs to the temperature setting required for your food.

\* Should the burner still fail to ignite, check the gas supply.



## MANUALLY LIGHTING THE BURNERS WITH MATCH STICK

1. REMOVE the hard cover. Turn ALL control knobs to OFF position.
2. Turn gas supply on at LP cylinder valve or at regulator.
3. Put a match in the match holder. Match holder is attached to side panel.
4. Place the lit match through the match lighting hole on side panel. Make sure the lit match is close to the burner ports.
5. Push in control knob and turn it anti-clockwise to HI position. The burner should light immediately.
6. If the burner does not ignite, turn control knob to OFF position, wait for 5 minutes before attempting to relight the burner.
7. If the burner ignites, repeat for other burners, and turn control knobs to the temperature setting required for your food.

\* Should the burners still fail to ignite, check the gas supply.

## TURNING OFF YOUR GRIDDLE

1. Turn off the gas supply at the LP cylinder by turning the valve clockwise to a full stop.
2. Turn all burner control knobs to OFF position.

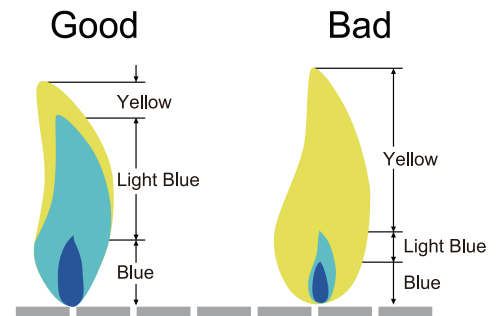


## ⚠ WARNING ⚠

Do not use spirit or petrol for lighting or re-lighting!

### BURNER FLAMES

Always check the burner flame patterns after lighting. A good flame should be primarily blue with a yellow tip and have a minimal amount of flicker. Some yellow tips are OK if they are smaller than 2.5 cm (1"). New burners sometimes have oil residue, which will cause yellow flame when burning off. Variations in gas supply, altitude, weather, and other factors can all impact burner performance. Older griddles can also show more yellow flame due to food deposit, oil, and fat buildup.



### SEASONING GUIDE

Seasoning your cooking griddle will help create relative non-stick surface for cooking while also protecting it against oxidization. When you receive your griddle, it will already have a thin layer of oil applied on the griddle. That has been done to protect the griddle from rust during shipping and storing, that is normal.

#### FIRST SEASONING:

1. Wash off the shipping oil by using soapy water and a towel or paper towels. Rinse off the soap and air dry.
2. Next, apply some virgin olive oil or other vegetable oil on the griddle surface. Using a paper towel to rub a thin coat of oil on the entire surface of the griddle.
3. Turn on your griddle at medium-high heat. The oil will eventually begin to smoke which is good. Leave it heating until the smoke stops. Turn off your griddle.
4. Let the surface cool down and repeat above process for 2-3 times until you get a nice black surface on the griddle. Once you've completed this process, you'll have a perfect grilling surface to get cooking on! Use long-handled barbecue utensils and oven mitts to avoid burns and splatters. Proceed to "PREHEATING".

\*After you are done using your griddle you should apply a very thin coat of cooking oil to maintain your seasoning bond and protect it from rust.

### PREHEATING

It is necessary to preheat the griddle before cooking, depending on the type of food and the cooking temperature. Preheat the gas griddle on MEDIUM/HIGH for 5 to 10 minutes. Reduce heat as appropriate for what you are grilling. Next, brush or spray the cooking griddle with olive or vegetable oil to prevent food from sticking.

### GRIDDLE HARD COVER


The griddle hard cover is designed to protect the griddle top from elements when the griddle is not in use.

Your new griddle has been designed and manufactured to high quality standards. It will provide you with many years of fun grilling time, however, it requires a minimal amount of maintenance.

Clean griddle often, preferably after each cookout. If a bristle brush is used to clean any of the griddle cooking surfaces, ensure no loose bristles remain on cooking surfaces prior to grilling.

### **WARNING**

1. Do not clean any part of your griddle in a self-cleaning oven.
2. Do not use oven cleaners, abrasive kitchen cleaners, cleaners that contain citrus products, or mineral spirits.
3. Clean your griddle regularly to prevent grease buildup, grease fires or excessive flare-ups.
4. Always allow the griddle to cool down prior to cleaning.

 Grease is flammable. Let hot grease cool down before attempting to handle it. Avoid letting grease deposits collect in the bottom of the firebox.

### **COOKING GRIDDLE**

Most foods can be cleaned up by scraping and wiping down the cooking griddle with a paper towel or wet soft cloth. To remove tough food residue, you can use a mild cream cleaner and pad. You can also use soapy water or a paper towel and 1/4 cup of table salt as another method to clean your griddle. Rinse well and dry it.

**NOTE:** Clean your griddle before storing at a cool dry place. Cover with the griddle hard cover. A soft cover is highly recommended to further protect your hard cover and griddle. Choose from a variety of griddle covers offered by the manufacturers. **DO NOT** leave the griddle with cover outside for an extended period of time.

### **STAINLESS STEEL**

Clean with multipurpose, low-abrasion, non-phosphorous metal or stainless steel polish and a soft cloth. Always polish in the direction of the finish. Do not allow grease and dirt to accumulate. In addition, several products and naturally occurring substances can damage all stainless-steel finishes. These include, but are not limited to, swimming pool chemicals (chlorine and bromine), lawn and garden fertilizers, ice-melting products, sea or other salt water, urine, bird droppings, and tree sap. Upon contact with these substances, immediately wash and dry the stainless-steel surface and be careful to avoid burns.

### **OTHER EXTERIOR SURFACES**

Wash with a mild dishwashing detergent and warm water. You can use a cloth, soft brush (non-metallic), or plastic cleaning pad. Rinse thoroughly and wipe dry.

### **GREASE CUP**

Check after each use. Remove and empty the grease cup when half full. It can be washed with warm water and mild dishwashing detergent.

### **BURNERS**

We recommend you clean your burners at least twice a year, or before use if the griddle has not been used in over one month.

### **GRIDDLE HARD COVER**

For routine care, clean with a paper towel or wet soft cloth. Always dry the hard cover with a towel or cloth to prevent water spots.

**NOTE:** Never use abrasive cleaners or bristle brush that may scratch the surface.

## **WARNING**

Small insects and spiders may enter the burner tubes. Sometimes they will build nests or spin webs that can block or reduce the amount of gas flowing through the burner. You will usually see a smaller flame, or a flame that is mostly yellow rather than blue, coming from the burner when this happens. Other signs include the griddle generating uneven or low heat, or difficulty in igniting the burners. In cases of severe blockage, this can cause the flame to burn backwards, and outside of the burner tubes, which can damage your griddle and/or cause personal injury. **IMMEDIATELY SHUT OFF THE FLOW OF PROPANE GAS AT THE CYLINDER BY TURNING THE HAND WHEEL CLOCKWISE SHOULD THIS HAPPEN.** Wait for the griddle to cool down and then clean all burners.

## **CLEANING THE BURNERS**

1. Ensure the gas is turned off at the LP cylinder.
2. Remove the cooking griddle.
3. Lift each burner up and out.
4. Clean the inside of the burner using a stiff wire. A straightened coat hanger will work.  
An alternative is to use compressed air. Always wear protective gear for your eyes when using this method.  
Never enlarge the burner ports during cleaning.
5. Brush the outer surface of the burner.
6. Ensure all ports (holes) are free of debris.
7. Inspect the burners. Replace any that have cracks or enlarged ports.
8. Replace the cooking griddle.
9. Perform the Leak Test described earlier in this Owner's Manual.

## **WARNING**

1. Proper placement of the burner and valve is vital to ensure safety.
2. Do not use any strong or grinding solvents or abrasive pads, as they can damage surfaces and leave behind scratch marks.

## **GRIDDLE STORAGE**

1. Clean your griddle before storage. Store at a cool dry place.
2. Storage of a gas griddle indoors is permissible only if the LP cylinder is disconnected and removed from the gas griddle.
3. A soft cover is highly recommended to further protect your hard cover and griddle. Choose from a variety of soft covers offered by the manufacturers. **DO NOT** leave the griddle with cover outside for an extended period of time.
4. Perform a Leak Test before using the griddle after it has been kept in storage for some time.

Emergencies	Possible cause	Prevention/Solution
Gas leaking from cracked/cut/burned hose	Damaged hose	Turn off gas at LP cylinder, if hose is cut or cracked, replace hose. Conduct LP cylinder leak test and check regulator connection to the LP cylinder.
Gas leaking from LP cylinder	Mechanical failure due to aging or mishandling	Turn off LP cylinder valve. Contact your LP dealer or call 911.
Gas leaking from LP cylinder valve	Failure of cylinder valve due to mishandling or mechanical failure	Turn off LP cylinder valve. Return LP cylinder to gas supplier.
Gas leaking between LP cylinder and regulator connection	Improper installation, loose connection, failure of rubber seal	Turn off LP cylinder valve, remove regulator from cylinder and visually inspect the rubber seal for damage. Conduct LP cylinder leak test and check regulator connection to the LP cylinder.
Fire coming through control panel	Fire in burner tube section of the burner due to partial blockage	Turn off control knobs and LP cylinder valve. After the fire is out and griddle is cold, remove the burner and inspect for spider nests or rust. See natural hazards and cleaning the burner assembly pages.

Troubleshooting: Problem	Possible cause	Prevention/Solution
Grease fire or continuous excessive flame above cooking surface	Too much grease buildup in burner area	Turn off LP cylinder. After cooling, clean food particles and excess grease from inside the firebox area, grease cup/pan/tray, and other surfaces.
Burner will not light when using the ignitor	<p>Gas issues:</p> <ol style="list-style-type: none"> <li>Trying to light wrong burner</li> <li>Burner not engaged with control valve</li> <li>Obstruction in burner</li> <li>No gas flow</li> <li>Vapor lock at coupling nut to LP cylinder</li> <li>Coupling nut and LP cylinder valve not fully connected</li> </ol>	<ol style="list-style-type: none"> <li>See instructions on control panel.</li> <li>Make sure valve are positioned inside the burner tubes.</li> <li>Ensure burner tubes are not obstructed with spider webs or other material; see cleaning section in Cleaning and Maintenance.</li> <li>Make sure LP cylinder is not empty. If LP cylinder is not empty, check sudden drop in gas flow.</li> <li>Turn off knobs and disconnect coupling nut from LP cylinder. Reconnect and retry.</li> <li>Turn the coupling nut approximately one-half to three-quarters.</li> </ol>
	<p>Electrical issues:</p> <ol style="list-style-type: none"> <li>Electrode cracked or broken; sparks at crack</li> <li>Electrode tip not in proper position</li> <li>Wire and/or electrode covered with cooking residue</li> <li>Wires are loose or disconnected</li> <li>Wires are short-circuited between ignitor and electrode.</li> <li>Push button sticks at bottom sparking between ignitor and electrode.</li> </ol>	<ol style="list-style-type: none"> <li>Replace electrode.</li> <li>Tip of electrode should be pointing toward the port hole in the burner. The distance should be 1/8" to 3/16". Adjust if necessary.</li> <li>Clean wire and/or electrode with rubbing alcohol and clean swab.</li> <li>Reconnect wires or replace electrode/wire assembly.</li> <li>Replace ignitor wire.</li> <li>Replace ignitor.</li> <li>Inspect wire insulation and proper connection. Replace wires if insulation is broken.</li> </ol>
	<p>Ignitor issues:</p> <ol style="list-style-type: none"> <li>Dead ignitor battery</li> <li>Battery/ignitor cap not installed correctly</li> </ol> <p><b>NOTE:</b> Try manually lighting burner with a match. If burner lights successfully, it is an ignitor issue.</p>	<ol style="list-style-type: none"> <li>Replace battery.</li> <li>Make sure 2 ends of the battery are oriented properly. The "+" end should be toward the ignitor cap. Rescrew the ignitor cap and make sure threads are aligned fully.</li> </ol>

Troubleshooting: Problem	Possible cause	Prevention/Solution
Burner will not light with matchstick	1. See "gas issues" on previous page. 2. Improper method of lighting using a matchstick	See "MANUALLY LIGHTING THE BURNERS WITH MATCH STICK" section in Operation Instructions.
Sudden drop in gas flow or low flame	1. Grease buildup 2. Excessive fat in meat 3. Excessive cooking temperature	1. Clean burners and inside of griddle/ firebox. 2. Trim fat from meat before grilling.
Flame blows out	High or gusting winds/Low LP gas/Excess flow valve tripped	Turn front of griddle to face wind or increase flame height. Refill LP cylinder.
Persistent grease fire	Grease trapped by food buildup around the burner system	Turn knobs to OFF. Turn gas off at the LP cylinder. After the griddle cools, remove and clean all parts.
Flashback... (fire in burner tube(s))	Burner and burner tubes are blocked.	Turn knobs to OFF. Clean burner and/or burner tubes. See burner cleaning section in Cleaning and Maintenance.
Flare-up	1. Grease buildup 2. Excessive fat in meat 3. Excessive cooking temperature	1. Clean burners and inside of griddle/ firebox. 2. Trim fat from meat before grilling. 3. Adjust (lower) temperature.
Unable to fill LP cylinder	Some dealers have older fill nozzles with worn threads.	When turning worn nozzles, they don't have enough "bite" to engage the valve. Try a different LP dealer.
One burner does not light from other burner(s)	Grease buildup or food particles in end of carryover tube	Clean carry-over tube with wire brush.

**If your problem is not resolved using the troubleshooting information above, please contact your local gas dealer.**

**CAUTION:** If the burners go out during use, close the gas supply at cylinder, and turn off all gas valves. Wait for five minutes before attempting to re-light (this allows accumulated gas fumes to clear).

**CAUTION:** In case of a grease fire, close the gas supply at cylinder, turn off all burners until the fire is out.

**CAUTION:** DO NOT attempt to disconnect any gas fitting while the griddle is being used. As with all appliances, proper care and maintenance will ensure your griddle is in top operating condition and will prolong its life.

**DIRECT HEAT**

<b>BEEF INTERNAL TEMPERATURE CHART</b>			
<b>Cooking Degree</b>	<b>Internal Core Temperature</b>	<b>Internal Description</b>	<b>Firmness</b>
Rare	125 °F	Center is bright red, pinkish toward the outer portion, and warm throughout	Soft to the touch
Medium Rare	130-135 °F	Center is very pink, slightly brown toward the outer portion and slightly hot	Yields only slightly to the touch
Medium	140-145 °F	Center is light pink, outer portion is brown and hot throughout	Beginning to firm to the touch
Medium Well	150-155 °F	Mostly brownish gray throughout with a hint of pink in the center	Firm to the touch
Well Done	155 °F and above	Steak is brownish gray throughout	Firm or hard to the touch
<b>POULTRY INTERNAL TEMPERATURE CHART</b>			
Whole Chicken	165 °F	Cook until the juices run clear	Firm to the touch
Dark Meat	165 °F	Cook until white throughout but still moist	Firm to the touch
Breast Meat	165 °F	Cook until white throughout but still moist	Firm to the touch
Thigh, Wings and Legs	165 °F	Mostly brownish gray throughout with a hint of pink in the center	Firm to the touch
<b>PORK INTERNAL TEMPERATURE CHART</b>			
Medium	150 °F	Pink in the center	
Well Done	160 °F and above	Pork is uniformly white/brown throughout	
Pork Ribs	180-200 °F	Pale white. Cook medium to well done	
Raw Sausage	160 °F	No longer pink	
Sausage (Pre-cooked)	140 °F	No longer pink	

Thanks for purchasing this Royal Gourmet® 4-Burner Gas Griddle with Hard Cover .

Royal Gourmet warrants its products to be free from defects in materials and workmanship under proper assembly, normal residential use and recommended care for **1-Year Full Warranty** from the date of original retail purchase. The warranty does not cover paint finish as it may burn off during normal use. **RUST is not considered a manufacturing or materials defect.**

For **5 Years** from the date of purchase, **any stainless steel burner** that rusts through will be replaced **free** of charge.

Within the stated warranty period, Royal Gourmet, at its discretion, shall replace defective components free of charge, with the owner being responsible for shipping. Royal Gourmet reserves the right to require that defective parts be returned, postage and/or freight pre-paid by the consumer for review and examination. In the event of parts availability issues, Royal Gourmet reserves the right to substitute like or similar parts that are equally functional. Upon the expiration of such warranty, all such liability shall terminate.

**Note:** A dated sales receipt along with Model Number and Serial Number will be required for the warranty service.

The limited warranty will not reimburse you for the cost of any inconvenience, food, personal injury or property damage. All warranty coverage is void if this griddle is ever used for commercial or rental purposes. And this limited warranty applies to the functionality of the product **ONLY** and does not cover cosmetic issues such as scratches, dents, corruptions or discoloring by heat, abrasive and chemical cleaners or any tools used in the assembly or installation of the appliance, surface rust, or the discoloration of stainless steel surfaces.

### ITEMS NOT COVERED IN THE WARRANTY SERVICE

Any failures or operating difficulties due to accident, abuse, misuse, alteration, misapplication, vandalism, improper installation or improper maintenance or service, or failure to perform normal and routine maintenance, including but not limited to damage caused by insects within the burner tubes, as set out in the owner's manual.

Deterioration or damage due to severe weather conditions such as hail, hurricanes, earthquakes or tornadoes, discoloration due to exposure to chemicals either directly or in the atmosphere.

Cost of service calls to your home.

Costs of removal or re-installation.

Pickup and delivery of your product.

Shipping or transportation costs.

Labor costs for installation and repair.


Liability for indirect, or consequential damages.

This limited warranty is the sole warranty given by Royal Gourmet and is in lieu of all other warranties, expressed or implied including implied warranty, merchantability, or fitness for a particular purpose. Neither Royal Gourmet nor the retail establishment selling this product has authority to make any warranties or to promise any remedies in addition to or inconsistent with those stated above.


Royal Gourmet's **maximum liability**, in any event, shall not exceed the purchase price of the product paid by the original consumer purchaser. Some states do not allow the exclusion or limitation of incidental or consequential damages. In such a case, the above limitations or exclusions may not be applicable.

**Do not return parts without prior to obtaining return authorization from our customer service department.**

Please do not hesitate to contact our customer service when you have any questions regarding assembly, warranty, or accessories. We will be happy to offer any replacement parts you need during the warranty period.

 1-800-618-6798

 [service@royalgourmetusa.com](mailto:service@royalgourmetusa.com)

 Mon-Fri, 8:30 AM-5:00 PM, EST

# ÍNDICE

Para su seguridad .....	16-17
Información e instrucciones generales .....	18-20
Instrucciones de funcionamiento .....	21-22
Limpieza y mantenimiento .....	23-24
Guía de solución de problemas .....	25-26
Guía de temperatura .....	27
Garantía y servicio al cliente .....	28
Diagrama de partes .....	43
Lista de piezas .....	44-45
Lista de hardware .....	45
Montaje .....	46-49

## PELIGRO

### Si huele gas:

1. Apague el suministro de gas a la plancha.
2. Extinga cualquier llama abierta.
3. Si el olor permanece, manténgase alejado de la plancha y llame inmediatamente a su departamento de bomberos.

**NOTA:** El incumplimiento de estas instrucciones podría provocar un incendio, una explosión o quemaduras, que podrían causar daños a la propiedad, lesiones personales o la muerte.

## ADVERTENCIA

1. La instalación debe cumplir con los códigos locales o, en ausencia de códigos locales, con el *Código Nacional de Gas Combustible*, ANSI Z223.1/NFPA 54.
2. No almacene ni utilice gasolina u otros líquidos o vapores inflamables cerca de este o cualquier otro aparato.
3. No se debe almacenar un bombona de gas licuado que no esté conectado para su uso en las proximidades de este o cualquier otro aparato.

## ADVERTENCIA

NO utilice la cubierta dura para cubrir la plancha mientras cocina.



En caso de cualquier problema, ¡llámenos primero! **NO** devuelva la plancha al minorista. Esta plancha ha sido hecha con altos estándares de calidad. Si tiene alguna pregunta que no figure en este manual del usuario, o necesita piezas, llame a nuestra línea directa de atención al cliente.

## **PRECAUCIÓN**

1. Esta plancha está diseñada para su uso con gas propano solamente (excluidos los bombona de propano).
2. Nunca use carbón o líquido encendedor con planchas de gas.
3. Nunca intente conectar esta plancha al sistema autónomo de propano de una caravana, casa rodante o casa.
4. **NO** use gasolina, queroseno o alcohol para la iluminación. Esta plancha no está diseñada para usarse en ehículos o botes recreativos. Este aparato no está destinado a un uso comercial.
5. Los niños no deben utilizar la plancha. Mantenga a los niños y a los animales domésticos alejados cuando esté en uso.
6. **NO** intente mover la plancha mientras está encendida o caliente. **NO** altere la plancha de ninguna manera.
7. **NO** utilice la plancha a menos que esté completamente montada, y todas las piezas estén bien sujetas y apretadas.
8. **NO** utilice la plancha ni ningún producto de gas cerca de edificios y materiales combustibles sin protección.
9. **NO** la utilice en presencia de gases o vapores. Mantenga el área de la plancha libre de materiales combustibles, gasolina y otros vapores y líquidos inflamables.
10. **NO** toque las partes metálicas de la plancha hasta que se haya enfriado completamente (aproximadamente 45 minutos) para evitar quemaduras, a menos que esté usando equipo de protección (guantes de cocina, agarraderas, etc.).
11. Use la plancha al menos a 91 cm (36 pulgadas) de distancia de cualquier pared o superficie. Deje un espacio de 10 pies entre la plancha y los objetos que puedan incendiarse.
12. No utilice este artefacto dentro de ninguna construcción techada ni debajo de follaje.
13. Limpie e inspeccione la manguera antes de cada uso. Si hay evidencia de abrasión, desgaste, cortes o fugas, la manguera debe reemplazarse antes de operar la plancha. El conjunto de manguera de repuesto debe ser según las especificaciones del fabricante especificadas por el fabricante.
14. Mueva la manguera de gas lo más lejos posible de las superficies calientes y la grasa caliente que gotea.
15. Nunca guarde un bombona de gas GLP lleno en un coche o camión caliente. El calor puede hacer que la presión del gas aumente, que puede abrirse, lo que puede hacer que la válvula de alivio se abra y permita que el gas escape.
16. Mantenga el compartimento de válvulas de la plancha, los quemadores y los conductos de aire circulante limpios. Compruebe la plancha antes de cada uso. Al cocinar con aceite/grasa, no permita que el aceite/grasa supere la temperatura 177 °C (350 °F).
17. No obstruya el flujo de aire para la combustión y la ventilación.
18. Mantenga las aberturas de ventilación de la carcasa del bombona libres de escombros.
19. Por favor, guarde este Manual del Usuario para futuras referencias.



## **ADVERTENCIAS DE LA PROPOSICIÓN 65 DE CALIFORNIA**

1. Los combustibles utilizados en los aparatos que queman gas y los subproductos de la combustión de dichos combustibles pueden exponerlo a sustancias químicas, incluido el monóxido de carbono, que según el Estado de California causa defectos de nacimiento u otros daños reproductivos.
2. Este producto contiene Níquel (Metálico) conocido en el Estado de California como causante de cáncer.
3. Este producto contiene Plomo y Compuestos de Plomo que el Estado de California reconoce como causantes de cáncer y defectos de nacimiento u otros daños reproductivos.

Para más información, visite: [www.P65Warnings.ca.gov](http://www.P65Warnings.ca.gov)

## **⚠ ADVERTENCIA ⚠**

1. Esta plancha es sólo para uso al aire libre y no debe utilizarse dentro de un edificio, garaje, o cualquier otro espacio cerrado.
2. El consumo de alcohol, medicamentos recetados o de venta libre puede afectar la capacidad de los operadores para ensamblar correctamente o operar la plancha de manera segura.
3. Coloque siempre la plancha en una superficie dura y nivelada lejos de los combustibles.
4. No dejar una plancha iluminada desatendida. SIEMPRE mantenga a los niños y mascotas lejos de la plancha.
5. No coloque la plancha sobre ningún tipo de superficie de mesa.
6. No utilice la plancha con vientos fuertes.
7. No utilice la plancha para cocinar carne excesivamente grasa u otros alimentos grasos o grasosos donde hay riesgo de brotes.

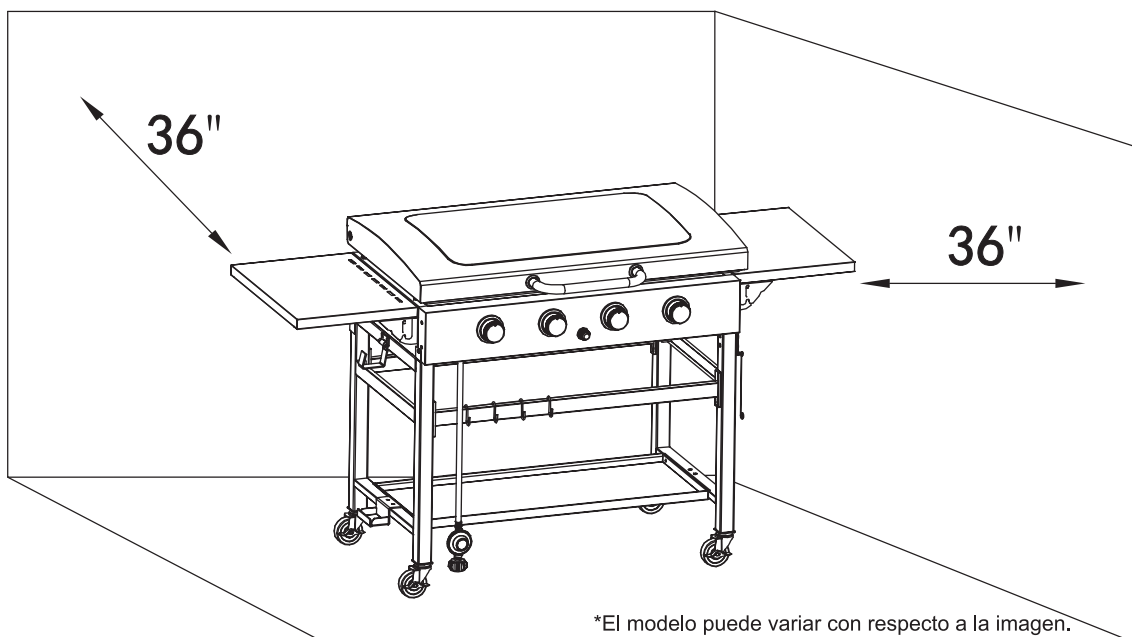
## **⚠ PELIGRO: RIESGO DE BOMBONA DE GAS ⚠**

El gas propano líquido es inflamable y peligroso si se manipula incorrectamente. Comprender las características antes de utilizar cualquier producto de propano.

1. Características de propano: inflamable, explosivo bajo presión, más pesado que el aire, se asienta en piscinas y áreas bajas.
2. En su estado natural, el propano no tiene olor. Para su seguridad, se ha añadido un olor.
3. El contacto con el propano puede provocar quemaduras de congelación en la piel.
4. Esta plancha se envía desde la fábrica para su uso con gas propano solamente.
5. Nunca utilice un bombona de gas con un cuerpo, válvula, anillo o base dañados.
6. Los cilindros de propano abollados u oxidados pueden ser peligrosos y deben ser revisados por su proveedor de gas propano.

## **⚠ PARA SU SEGURIDAD ⚠**

1. Use la plancha al menos a 91 cm (36 pulgadas) de distancia de cualquier pared o superficie. Deje un espacio de 10 pies entre la plancha y los objetos que puedan incendiarse.
2. No coloque la plancha donde haya superficies combustibles por encima.



## INSTRUCCIONES DE USO

Siga estas instrucciones cuidadosamente para evitar dañar seriamente su barbacoa y causar lesiones personales y a la propiedad.

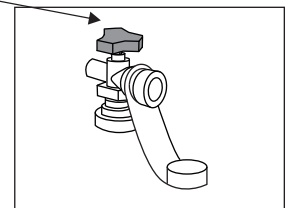
1. Ensamble la plancha siguiendo cuidadosamente las siguientes instrucciones de montaje.
2. Conecte el bombona de gas a la plancha (bombona de gas no incluido).
3. QUITAR la cubierta dura. Gire todas las perillas a la posición "apagado" (OFF) antes de abrir el paso de gas al artefacto.
4. Maneje el regulador de acuerdo a las instrucciones provistas con el mismo.

## INFORMACIÓN DE BOMBONA Y GAS GLP

Su nueva plancha de gas funciona con gas GLP (petróleo licuado). Es inodoro, incoloro y no tóxico cuando se produce. Puede oler gas GLP, ya que se le ha dado un olor similar al de huevos podridos por su seguridad.

La plancha utiliza el bombona de gas GLP más nuevo y seguro (tanque) que incluye dos características:

Rueda triangular de mano

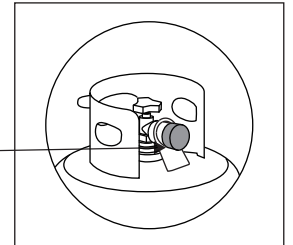


1. Un OPD (dispositivo de protección contra sobrellenado) - evita fugas accidentales de gas causadas por el sobrellenado del bombona. Cada bombona contiene un flotador que cierra la válvula de entrada cuando el bombona está 80% lleno. Esto deja espacio para que el gas propano se expanda en temperaturas altas. Una rueda de mano triangular distingue este tipo de bombona.
2. Una válvula de conexión rápida QCC1 Tipo 1 que proporciona conexiones rápidas al bombona y solo requiere ser apretada a mano.

## TRANSPORTE Y ALMACENAMIENTO

1. El bombona de gas debe incluir un collar para proteger la válvula de suministro de gas.
2. No almacene un bombona de gas de repuesto cerca de la plancha.
3. Nunca llene el bombona de gas más allá del 80% de su capacidad.
4. Si la advertencia en 2 y 3 anteriores no se hace caso exactamente, puede ocurrir un incendio que cause la muerte o lesiones graves.
5. Transporte siempre en posición vertical.
6. No fume al transportar su bombona de gas.

Tapa contra el polvo



7. Coloque una tapa contra el polvo en la salida de la válvula de gas del bombona siempre que el bombona no esté en uso. Use solo el tipo de tapa guardapolvo que se proporciona con la válvula del bombona cuando se compra. Otros tipos de tapones o tapones pueden provocar fugas de propano.

## ESPECIFICACIONES DEL BOMBONA

1. El bombona comprado o intercambiado por su plancha de gas debe ser fabricado y marcado de acuerdo con las especificaciones para bombonas de gas GLP del Departamento de Transporte (DDT) de EE. UU. o el Estándar Nacional de Canadá, CAN/CSA-B339, Cilindros, Esferas y Tubos para Transporte de mercancías peligrosas y comisión. Estar equipado con un dispositivo de prevención de sobrellenado (OPD) listado y estar equipado con un dispositivo de conexión de cilindro compatible con la conexión para aparatos de cocina al aire libre.
2. El bombona de gas GLP que se utiliza con este artefacto no debe sobrepasar las 20 libras (9,1 kg) de capacidad. Aproximadamente 18 pulgadas (45,7 cm) de alto y 12 pulgadas (30,5 cm) de diámetro.
3. Esta plancha está diseñada para adaptarse a los cilindros de 20 libras (9,1 kg) de las marcas Worthington, Manchester o SMPC. Otras marcas pueden ajustarse a esta plancha si el cuello superior y el anillo de soporte inferior tienen dimensiones similares.

### EL BOMBONA TAMBIÉN DEBE ESTAR EQUIPADO CON:

1. Una válvula de cierre que termina en una salida de la válvula del bombona de gas tipo 1
2. Una válvula tipo 1 que evita el flujo de gas hasta que se hace un sello positivo
3. Un collar para proteger la válvula de cierre del bombona
4. Un dispositivo de alivio de seguridad que está directamente relacionado con el espacio de vapor del bombona

## ⚠ ADVERTENCIA ⚠

Si se congela la válvula del bombona de gas, puede haber una sobredosis de gas. Cierre la válvula de baja presión y llame inmediatamente al distribuidor de GLP.

1. NO conecte esta plancha a una válvula de bombona POL #510 existente con roscas a la izquierda.  
La válvula Tipo 1 se puede identificar mediante las grandes roscas externas de la salida de la válvula.
2. NO conecte a un bombona de gas que exceda esta capacidad.
3. NO conecte a un bombona que utilice ningún otro tipo de dispositivo de conexión de válvula.

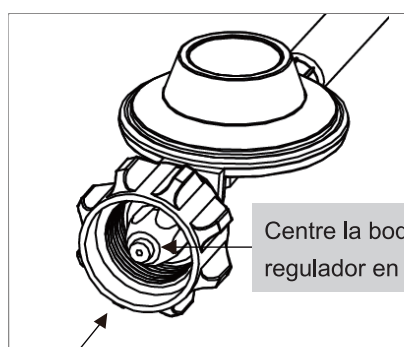
## CONECTANDO EL REGULADOR A LA BOMBONA DE GAS

### ⚠ PRECAUCIÓN ⚠

Utilice únicamente el regulador de presión de gas suministrado con este aparato de cocción al aire libre. Este regulador está configurado para una presión de salida de 11 pulgadas columna de agua.

Su regulador está equipado con un sistema de conexión rápida QCC Tipo 1. No permite que el gas fluya hasta que se haya hecho un sello positivo. Tiene un elemento térmico que apaga el flujo de gas si la temperatura alcanza los 115 °C (240 °F). También tiene un dispositivo de limitación de flujo que restringe el flujo de gas a 0,28 métricas cúbicas por hora (10 pies cúbicos por hora).

1. Asegúrese de que el bombona de gas esté apagado girando la rueda de mano en el sentido de las agujas del reloj hasta que se detenga.
2. Asegure correctamente el bombona de gas en el gancho del bombona y la base.
3. Asegúrese de que todos los controles del quemador estén girado a la posición OFF.
4. Retire la tapa de seguridad de la válvula del bombona.
5. Centre la boquilla del regulador en la válvula del bombona.
6. Gire la tuerca negra en el sentido de las agujas del reloj hasta que se detenga. Apriete a mano solamente. No utilice una llave inglesa.

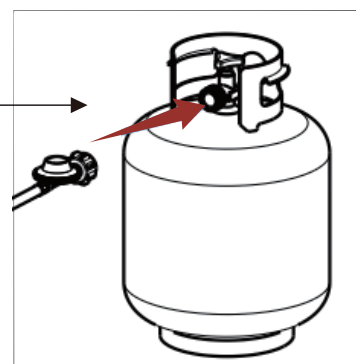


Centre la boquilla del regulador en la válvula del.

Conector QCC 1 Tipo 1

El regulador debe entrar en la válvula del cilindro en línea.

**⚠ ADVERTENCIA**  
Mantenga siempre el bombona de gas en posición vertical en todo momento.



### ⚠ ADVERTENCIA ⚠

1. No conecte esta plancha a ninguna fuente no regulada de propano.
2. Antes de cada uso, compruebe si la manguera de gas es excesiva abrasión, desgaste o cortes. Reemplace un conjunto de manguera dañado por el especificado en la lista de piezas antes de usar la plancha.
3. Si el bombona ha sido sustituido, se han sustituido las partes de gas, se ha activado la unidad de caudal limitado del regulador o se ha dejado de usar durante un período prolongado, deberán realizarse las siguientes pruebas de fuga antes de que se utilice por primera vez la reja.
4. No intente conectar esta plancha al sistema de GLP de una autocaravana o remolque.

# PRUEBA DE ESTANQUEIDAD DE LA BOMBONA DE GAS

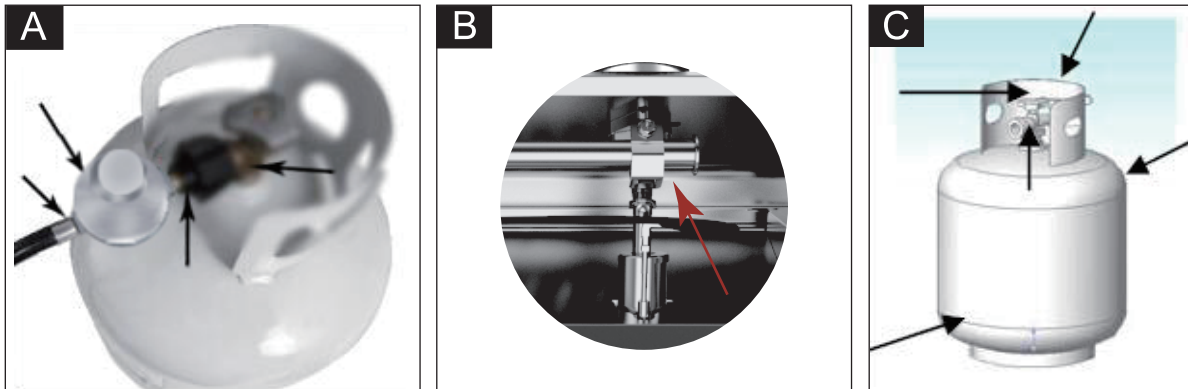
1. La prueba de estanqueidad debe repetirse cada vez que se cambia o se vuelve a llenar la bombona de gas.
2. NO fume ni tenga nada cerca que pueda prender fácilmente, como encendedores o fósforos.
3. NO use una llama viva para verificar si hay fugas de gas.
4. Debe comprobarse si hay fugas en el aparato al aire libre, en un área bien ventilada y lejos de llamas vivas o chispas.
5. RETIRE las ollas u otros utensilios de cocina del quemador antes de comenzar la prueba.

## PASOS DE LA PRUEBA DE ESTANQUEIDAD:

Use una brocha de pintura limpia y una solución de 50/50 de agua y jabón suave.

No use productos de limpieza del hogar. Esto puede dañar los componentes del de gas.

1. Asegúrese todos los mandos de control de los quemadores, el regulador y las válvulas de las bombonas estén cerradas.
2. Cerciórese de que el regulador esté bien conectado al bombona de gas.
3. Abra por completo la válvula del bombona de gas, girando la manilla en sentido contrario a las agujas del reloj. Si escucha un sonido de ráfaga, cierre de inmediato el paso de gas. La conexión tiene una fuga considerable. Corrija esta situación antes de continuar.
4. Cepille la solución jabonosa en todas las uniones del metal y en toda el área de la válvula, como se muestra en las figuras.



5. Gire lentamente la válvula de la bombona de gas en sentido contrario a las agujas del reloj hasta la posición de abierta.
6. Las fugas pueden identificarse mediante la formación. Cierre de inmediato la válvula del bombona de gas y vuelva a apretar las conexiones.
7. Si no puede eliminar las fugas, no intente repararlas, contacte a su proveedor de la plancha de gas para obtener ayuda. No intente utilizar la aparato si hay una fuga.
8. Examine siempre la manguera en busca de daños. Si observa algún daño, no intente reparar la manguera. Reemplazar la manguera es la única opción segura.
9. Para obtener ayuda con cualquier funcionamiento defectuoso relacionado con la bombona de gas, el regulador o la manguera, contacte con el servicio de atención al cliente.
10. Después de hacer una prueba para detectar fugas, cierre siempre la válvula del bombona de gas, girando la manilla en el sentido de las agujas del reloj.

**BAJO NINGUNA CIRCUNSTANCIA, LA VÁLVULA DEBE PERMANECER EN LA POSICIÓN DE ENCENDIDO MÁS DE 12 SEGUNDOS.**

## ⚠ ADVERTENCIA ⚠

1. NO UTILICE LA PLANCHA si hay fugas. Asegúrese de que la válvula del bombona de gas esté cerrada. Si el bombona de gas sigue teniendo fugas, póngase en contacto con su distribuidor de GLP o llame al 911.
2. No utilice fósforos, llamas abiertas ni humo durante las pruebas de fugas.
3. No encienda ningún quemador durante las pruebas de fugas.
4. Las piezas de repuesto, incluido un conjunto de manguera de repuesto debe ajustarse a las especificaciones de la lista de piezas de repuesto.

**El incumplimiento de esas instrucciones puede dar lugar a graves lesiones personales.**

Cada quemador de plancha se prueba y calibra en la fábrica antes del envío; sin embargo, los cambios en el suministro local de gas natural pueden requerir un ajuste del quemador. Por favor, compruebe visualmente las llamas de los quemadores. Compruebe siempre visualmente la plancha antes de encenderlo. Reemplace cualquier manguera que esté deshilachada o agrietada. Busque cualquier cosa que pueda bloquear la ventilación y eliminar tal obstrucción o mover la plancha. Después de la iluminación compruebe el modo de fuego para asegurarse de que el calor de cada quemador se distribuye uniformemente. Si los quemadores no se encienden o si el patrón de llama es desigual, consulte la sección Solución de problemas.

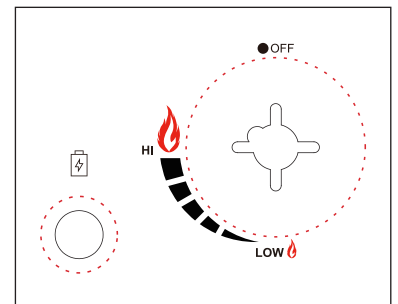
## ⚠ **ADVERTENCIA: ANTES DE LA ILUMINACIÓN** ⚠

1. Lea las instrucciones antes de la iluminación.
2. Si el encendido no se produce en 5 segundos, apague los controles del quemador, espere 5 minutos y repita el procedimiento de iluminación.
3. Inspeccione la manguera de suministro de gas antes de encender el gas. Si hay evidencia de cortes, desgaste o abrasión, debe reemplazarse antes de su uso. No utilice la parrilla si hay olor a gas. Utilice únicamente el regulador de presión y el conjunto de manguera suministrados con la unidad.
4. Nunca utilice reguladores y conjuntos de mangueras que no sean los suministrados con la plancha. Si es necesario un reemplazo, comuníquese con el fabricante para obtener el reemplazo adecuado. El reemplazo debe realizarse según las especificaciones del Manual del Usuario. **NO DEJE LA PLANCHA DESATENDIDA MIENTRAS COCINA.**

## ILUMINACIÓN DE LOS QUEMADORES MEDIANTE IGNICIÓN ELECTRÓNICA

1. QUITAR la cubierta dura. Gire TODAS las perillas de control a la posición OFF (apagado).
2. Abra el suministro de gas en la válvula del bombona de gas o en el regulador.
3. Presione la perilla de control y gírela en sentido contrario a las agujas del reloj hasta la posición HI. Mantenga pulsado el botón de encendido para encender los quemadores.
4. Si el quemador no se enciende, gire la perilla de control a la posición OFF, espere 5 minutos antes de intentar volver a encender el quemador.
5. Si el quemador se enciende, repita el procedimiento para los demás quemadores y gire las perillas de control para obtener el ajuste de temperatura requerido para sus alimentos.

\* Si los quemadores siguen sin encenderse, compruebe el suministro de gas.



## ILUMINACIÓN MANUAL DE LOS QUEMADORES CON FÓSFORO

1. QUITAR la cubierta dura. Gire TODAS las perillas de control a la posición OFF (apagado).
2. Abra el suministro de gas en la válvula del bombona de gas o en el regulador.
3. Ponga un fósforo en el portafósforos. El soporte de fósforos está unido al panel lateral.
4. Colocar el fósforo encendido a través del agujero de encendido del fósforo en el lado de la plancha. Asegúrese de que el fósforo encendido esté cerca de los puertos de los quemadores.
5. Presione la perilla de control y gírela en sentido contrario a las agujas del reloj hasta la posición HI. El quemador debería encenderse inmediatamente.
6. Si el quemador no se enciende, gire la perilla de control a la posición OFF, espere 5 minutos antes de intentar volver a encender el quemador.
7. Si el quemador se enciende, repita el procedimiento para los demás quemadores y gire las perillas de control para obtener el ajuste de temperatura requerido para sus alimentos.

\* Si los quemadores siguen sin encenderse, compruebe el suministro de gas.

## APAGAR LA PLANCHA

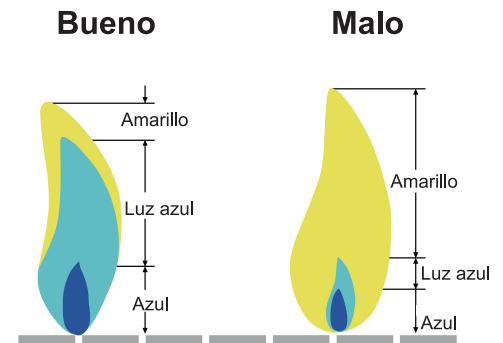
1. Apague el suministro de gas en el bombona de gas girando la válvula en el sentido de las agujas del reloj a un punto final.
2. Gire todas las perillas de control del quemador a la posición OFF.

### ⚠ ADVERTENCIA ⚠

¡No utilice alcohol o gasolina para encender o volver a encender!

## LLAMAS DE QUEMADOR

Compruebe siempre los patrones de llama del quemador después de encenderlo. Una buena llama debe ser principalmente azul con una punta amarilla y tener una cantidad mínima de parpadeo. Algunas puntas amarillas están bien si son menores de 2,5 cm (1"). Los nuevos quemadores a veces tienen residuos de aceite, que causarán llama amarilla cuando se queman. Los cambios en el suministro de gas, la altitud del mar, el tiempo y otros factores influyen en el rendimiento de los quemadores. Las planchas más viejas también pueden mostrar más llama amarilla debido al depósito de alimentos, aceite y acumulación de grasa.



## GUÍA DE CURADO DE LA PLANCHA

El curado es un proceso por el cual se cubre de aceite el metal para crear una superficie antiadherente y proteger contra la oxidación. Las planchas de cocina vienen con una delgada capa de aceite de soja para protegerlas contra la oxidación durante el envío y almacenamiento.

### LA PRIMERA VEZ:

1. Lave con un agua jabonosa tibia y seque con una tela suave no abrasiva. Lávelos con agua y jabón.
2. Aplique una pequeña cantidad de aceite a la superficie de la plancha y úntelo con una toalla de papel.
3. Encienda su plancha con un calor medio-alto. Caliente el aceite y deje que se siga calentando en la plancha hasta que deje de humear. Esto es bueno. Cuando el aceite deje de humear apague su plancha superior.
4. Repita arriba pasos 2 a 3 veces, hasta que tenga una superficie oscura uniforme en su plancha superior. Su plancha superior está lista para usarla. Use utensilios para asador con mango largo y guantes para horno para evitar quemaduras y salpicaduras. Proceda a realizar el "PRECALENTAMIENTO".

\*Cuando termine de usar su plancha superior debe aplicar una capa muy delgada de aceite de cocina para mantener el enlace de curado y protegerla de la oxidación.

## PRECALENTAMIENTO

Es necesario precalentar la plancha antes de cocinar determinados alimentos, según el tipo de alimento y la temperatura de cocción. Precaliente la plancha a gas en MEDIA/ALTA durante diez minutos. Reduzca la temperatura hasta un punto adecuado para lo que vaya a asar. A continuación, unte o rocíe la plancha superior con aceite vegetal o con aceite de oliva para evitar que los alimentos se peguen.


## CUBIERTA DURA DE LA PLANCHA

La cubierta dura de la plancha está diseñada para proteger la parte superior de la plancha de los elementos cuando no está en uso.

Su nueva plancha ha sido diseñada y fabricada con altos estándares de calidad. Le dará muchos años de tiempo de planchas divertido, sin embargo, necesita un mínimo de mantenimiento. Limpie la plancha de cocina con frecuencia, de preferencia después de cada uso. Si usa un cepillo de cerdas duras para limpiar alguna de las superficies para cocinar del asador, asegúrese de que no queden cerdas sueltas sobre las superficies antes de cocinar.

### **ADVERTENCIA**

1. No limpie ninguna parte de la plancha en un horno autolimpiante.
2. No utilice limpiadores de horno, limpiadores de cocina abrasivos, limpiadores que contengan productos cítricos o alcoholes minerales.
3. Limpie su plancha regularmente para evitar la acumulación de grasa, incendios de grasa o brotes excesivos.
4. Siempre deje que la plancha se enfríe antes de la limpieza.

 La grasa es inflamable. Deje que la grasa caliente se enfríe antes de intentar manejarla. Evite que los depósitos de grasa se acumulen en el fondo del ensamble del recipiente de la plancha.

### **PLANCHA SUPERIOR**

La mayoría de los alimentos se pueden limpiar raspando y limpiando la plancha con una toalla de papel o con un suave paño húmedo. Para eliminar los residuos difíciles de alimentos, puede utilizar un limpiador en crema suave y una almohadilla. También puede utilizar agua jabonosa o una toalla de papel y 1/4 taza de sal de mesa como otro método para limpiar la plancha. Enjuagar bien y secar.

**NOTA:** Limpie la plancha antes de almacenarla. Cubrir con la cubierta dura de la plancha. Se recomienda encarecidamente el uso de una cubierta blanda para proteger aún más la cubierta dura y la plancha. Puede elegir entre una variedad de cubiertas blandas para plancha de cocina ofrecidas por fabricantes. NO deje la plancha con la cubierta en el exterior durante mucho tiempo.

### **ACERO INOXIDABLE**

Limpie con un pulidor para metales o acero inoxidable multiusos, de baja abrasión, sin fósforo y un paño suave. Siempre pule en la dirección del acabado. No permita que se acumule grasa ni suciedad. Además, varios productos y sustancias de origen natural pueden dañar todos los acabados de acero inoxidable. Estos incluyen, pero no se limitan a, productos químicos de la piscina (cloro y bromo), fertilizantes de césped y jardín, productos que se derriten al hielo, agua salada de mar u otra, orina, excrementos de aves y savia de árboles. Al ponerse en contacto con estas sustancias, lave y seque inmediatamente la superficie de acero inoxidable y tenga cuidado de evitar quemaduras.

### **OTRAS SUPERFICIES EXTERIORES**

Lave con un detergente suave para lavar platos y agua tibia. Puede usar un paño, un cepillo suave (no metálico) o una almohadilla de limpieza de plástico. Enjuague bien y seque.

### **RECIPIENTE DE RECOGIDA DE GRASA**

Compruebe después de cada uso. Retire y vacíe la bandeja de grasa cuando esté medio llena. Es puede lavarse con agua tibia y un detergente lavavajillas suave.

### **QUEMADORES**

Le recomendamos que limpie sus quemadores al menos dos veces al año, o antes de su uso si la plancha no se ha utilizado en más de un mes.

### **CUBIERTA DURA**

Durante el cuidado rutinario, limpie con una toalla de papel o un paño suave y húmedo. Seque siempre la cubierta dura con una toalla o paño para evitar las manchas de agua.

**NOTA:** Nunca utilice limpiadores abrasivos o cepillos de cerdas que puedan rayar la superficie.



## **ADVERTENCIA**

Pequeños insectos y arañas pueden entrar en los tubos de los quemadores. A veces, construirán nidos o tejerán redes que pueden bloquear o reducir la cantidad de gas que fluye a través del quemador. Por lo general, verá una llama más pequeña, o una llama que es principalmente amarilla en lugar de azul, que sale del quemador cuando esto sucede. Otros signos incluyen que la plancha genera calor poco uniforme o desigual, o dificultad para encender los quemadores. En casos de bloqueo severo, esto puede dar lugar a la combustión de las llamas hacia atrás y fuera del tubo de combustión, lo que dañaría la parrilla y/o causaría lesiones corporales. **CIERRE INMEDIATAMENTE EL FLUJO DE GAS PROPANO EN EL BOMBONA GIRANDO EL VOLANTE EN EL SENTIDO DE LAS AGUJAS DEL RELOJ SI ESTO SUCEDIERA.** Espere a que la plancha se enfríe y luego limpie todos los quemadores.

## **LIMPIEZA DE LOS QUEMADORES**

1. Asegúrese de que el gas esté apagado en el bombona de gas.
2. Retire la plancha superior.
3. Levante cada quemador hacia arriba y hacia fuera.
4. Limpie el interior del quemador con un cable rígido. Una percha enderezada funcionará. Una alternativa es utilizar aire comprimido. Siempre use equipo protector para sus ojos cuando use este método. Nunca agrande los puertos del quemador durante la limpieza.
5. Cepille la superficie exterior del quemador.
6. Asegúrese de que todos los puertos (agujeros) estén libres de escombros.
7. Inspeccione los quemadores. Reemplace cualquiera que tenga grietas o puertos agrandados.
8. Reemplace la plancha superior.
9. Realice la prueba de fugas descrita anteriormente en este Manual del Usuario.

## **ADVERTENCIA**

1. La ubicación adecuada del quemador y la válvula es vital para garantizar la seguridad.
2. No utilice disolventes fuertes o estropajos abrasivos ya que pueden dañar las superficies y dejar marcas de arañazos.

## **ALMACENAMIENTO DE PLANCHA**

1. Limpie la plancha antes de almacenarla. Almacenar en un lugar seco.
2. El almacenamiento de una plancha de gas en el interior sólo es permisible si el bombona de gas se desconecta y se retira de la plancha de gas.
3. Se recomienda encarecidamente el uso de una cubierta blanda para proteger aún más la cubierta dura y la plancha. Puede elegir entre una variedad de cubiertas blandas para plancha de cocina ofrecidas por fabricantes. **NO** deje la plancha con la cubierta en el exterior durante mucho tiempo.
4. Realice una prueba de fugas antes de usar la plancha después de que se ha mantenido en el almacenamiento durante algún tiempo.

Emergencias	Causa posible	Prevención/solución
Fuga de gas de manguera agrietada/cortada/quemada	Manguera dañada	Apague el gas en el bombona de gas, si la manguera está cortada o agrietada, reemplace la manguera. Realice una prueba de fuga del bombona de gas y compruebe la conexión del regulador al bombona de gas.
Fuga de gas del bombona de gas	Falla mecánica debido al envejecimiento o mal manejo	Apague la válvula del bombona de gas. Póngase en contacto con su distribuidor de GLP o llame al 911.
Fuga de gas de la válvula del bombona de gas	Falla de la válvula del bombona debido a un mal manejo o falla mecánica	Cierre la válvula del bombona de gas. Devuelva el bombona de gas al proveedor de gas.
Fuga de gas entre el bombona de gas y la conexión del regulador	Instalación incorrecta, conexión suelta, falla del sello de goma	Cierre la válvula del bombona de gas líquido, retire el regulador del cilindro e inspeccione visualmente el sello de goma en busca de daños. Realice una prueba de fugas en el bombona de gas y verifique la conexión del regulador al bombona de gas.
Fuego que viene a través del panel de control	Fuego en la sección del tubo del quemador debido a un bloqueo parcial	Apague las perillas de control y la válvula del tanque GLP. Después de que el fuego se apague y la plancha esté fría, retire el quemador e inspeccione si hay nidos de arañas u óxido. Consulte los peligros naturales y la limpieza de las páginas de montaje del quemador.

Resolución de problemas: problema	Posible causa	Prevención/Solución
Fuego de grasa o llama excesiva continua por encima de la superficie de cocción	Demasiada acumulación de grasa en el área del quemador	Apague el bombona de gas. Una vez enfriado, limpie las partículas de alimentos y el exceso de grasa del interior del área de la caja de fuego, la taza de grasa/pan/bandeja y otras superficies.
El quemador no se enciende con el encendedor	<p>Problemas con el gas:</p> <ol style="list-style-type: none"> <li>1. Tratando de encender el quemador equivocado</li> <li>2. Quemador no conectado con la válvula de control</li> <li>3. Obstrucción en el quemador</li> <li>4. Sin flujo de gas</li> <li>5. Bloqueo de vapor en la tuerca de acoplamiento al bombona de gas</li> <li>6. La tuerca de acoplamiento y la válvula del bombona de gas no están completamente conectadas.</li> </ol>	<ol style="list-style-type: none"> <li>1. Consulte las instrucciones en el panel de control.</li> <li>2. Asegúrese de que la válvula esté colocada dentro de los tubos del quemador.</li> <li>3. Asegúrese de que los tubos del quemador no estén obstruidos con telarañas u otro material; ver sección de limpieza y mantenimiento.</li> <li>4. Asegúrese de que el bombona de gas no esté vacío. Si el bombona de gas no está vacío, compruebe caída repentina en el flujo de gas.</li> <li>5. Apague las perillas y desconecte la tuerca de acoplamiento del bombona de gas. Vuelva a conectar y vuelva a intentarlo.</li> <li>6. Gire la tuerca de acoplamiento aproximadamente de la mitad a tres cuartas partes.</li> </ol>
	<p>Problemas eléctricos:</p> <ol style="list-style-type: none"> <li>1. Electrodo agrietado o roto; chispas en la grieta.</li> <li>2. Punta del electrodo no en la posición adecuada.</li> <li>3. Alambre y/o electrodo cubierto con residuos de cocción.</li> <li>4. Los cables están sueltos o desconectados.</li> <li>5. Los cables están cortocircuitando entre el encendedor y el electrodo.</li> <li>6. El botón pulsador se pega en la parte inferior y genera chispas entre el encendedor y el electrodo.</li> </ol>	<ol style="list-style-type: none"> <li>1. Reemplace el electrodo.</li> <li>2. La punta del electrodo debe apuntar hacia el orificio del puerto en el quemador. La distancia debe ser de 1/8" a 3/16". Ajuste si es necesario.</li> <li>3. Limpie el alambre y o el electrodo con alcohol de frotar y un hisopo limpio.</li> <li>4. Reconecte los cables o reemplace el conjunto de electrodos/cables.</li> <li>5. Reemplazar el cable del encendido.</li> <li>6. Reemplace el encendedor.</li> <li>7. Inspeccione el aislamiento del cable y la conexión adecuada. Reemplace los cables si el aislamiento está roto.</li> </ol>
	<p>Problema del encendedor:</p> <ol style="list-style-type: none"> <li>1. Pila de encendido agotada</li> <li>2. Revise la orientación de la pila</li> </ol> <p><b>NOTA:</b> Intente encender el quemador manualmente con un fósforo. Si el quemador se enciende correctamente, se trata de un problema del encendedor.</p>	<ol style="list-style-type: none"> <li>1. Reemplace la pila.</li> <li>2. Instale la pila (verifique que los conectores "+" y "-" estén orientados correctamente, con el extremo "+" de la tapa.) Vuelva a atornillar la tapa del encendedor y asegúrese de que las roscas estén bien alineadas.</li> </ol>

<b>Resolución de problemas: problema</b>	<b>Posible causa</b>	<b>Prevención/Solución</b>
El quemador no se encenderá con fósforo	1. Consulte "problemas de gas" en la página anterior. 2. Método inadecuado de iluminación con una cerilla.	Consulte la sección "ILUMINACIÓN MANUAL DE LOS QUEMADORES CON FÓSFORO" en instrucciones de funcionamiento.
Caída repentina del flujo de gas o baja llama	1. Acumulación de grasa. 2. Grasa excesiva en la carne. 3. Temperatura de cocción excesiva	1. Limpie los quemadores y el interior de la plancha/caja de fuego. 2. Recorte la grasa de la carne antes de asar a la plancha.
La llama se apaga	Vientos altos o ráfagas. Gas bajo en GLP. Válvula de flujo excesivo disparado.	Gire la parte delantera de la plancha para enfrentar el viento o aumentar la altura de la llama. Rellene el bombona de gas.
Fuego persistente de grasa	Grasa atrapada por la acumulación de alimentos alrededor del sistema del quemador	Gire las perillas a OFF. Apague el gas en el bombona de gas. Después de que la plancha se enfríe, retire y limpie todas las piezas.
Escena retrospectiva... (fuego en el(los) tubo(s) del quemador)	El quemador y los tubos del quemador están bloqueados	Gire las perillas a la posición OFF. Limpie el quemador y/o los tubos del quemador. Consulte la sección de limpieza del quemador en limpieza y mantenimiento.
Estalla	1. Acumulación de grasa. 2. Grasa excesiva en la carne. 3. Temperatura de cocción excesiva.	1. Limpie los quemadores y el interior de la plancha/caja de fuego. 2. Recorte la grasa de la carne antes de asar a la plancha. 3. Ajuste la temperatura (baja).
No se puede llenar el bombona de gas	Algunos distribuidores tienen boquillas de relleno más antiguas con hilos desgastados.	Al girar las boquillas gastadas, no tienen suficiente "mordida" para activar la válvula. Pruebe con un distribuidor de GLP diferente.
Un quemador no se enciende desde otro (s) quemador (s)	Acumulación de grasa o partículas de comida en el extremo del tubo de arrastre	Limpie el tubo de transporte con cepillo de alambre.

**Si no puede resolver su problema con la información de desactivación antes mencionada, póngase en contacto con su distribuidor de gas local.**

**ADVERTENCIA:** Si los quemadores se apagan durante el uso, cierre el suministro de gas en la fuente y apague todas las válvulas de gas. Espere cinco minutos antes de intentar volver a encender (esto permite que los humos de gas acumulados se despejen).

**ADVERTENCIA:** En caso de incendio de grasa, cierre el suministro de gas en la fuente, apague todos los quemadores hasta que se apague el fuego.

**ADVERTENCIA:** NO intente desconectar ningún accesorio de gas mientras se está utilizando la plancha. Al igual que con todos los electrodomésticos, el cuidado y el mantenimiento adecuados asegurarán que su plancha esté en las mejores condiciones de funcionamiento y prolongará su vida útil.

## CALOR DIRECTO

TABLA DE TEMPERATURA INTERNA DE CARNE			
Grado de Cocina	Temperatura Interna del Núcleo	Descripción Interna	Firmeza
Raro	125 °F	El centro es rojo brillante, rosado hacia la parte exterior y cálido en todo	Suave al tacto
Medio raro	130-135 °F	El centro es muy rosado, ligeramente marrón hacia la parte exterior y ligeramente caliente	Cede solo ligeramente al tacto
Medio	140-145 °F	El centro es de color rosa claro, la porción exterior es marrón y caliente en todo	Comenzando a endurecerse al tacto
Medio bien	150-155 °F	Mayormente de color gris parduzco en todo con un toque de rosa en el centro	Firme al tacto
Bien hecho	155 °F y más	El filete es de color gris parduzco en todas partes	Firme o duro al tacto
TABLA DE TEMPERATURA INTERNA DE AVES			
Pollo Entero	165 °F	Cocine hasta que los jugos salgan claros	Firme al tacto
Carne Oscura	165 °F	Cocine hasta que quede blanco en todas partes, pero aún húmedo	Firme al tacto
Carne de Pechuga	165 °F	Cocine hasta que quede blanco en todas partes, pero aún húmedo	Firme al tacto
Muslo, Alas y Piernas	165 °F	Mayormente de color gris parduzco en todo con un toque de rosa en el centro	Firme al tacto
GRÁFICO DE TEMPERATURA INTERNA DE LA CARNE DE CERDO			
Medio	150 °F	Rosa en el centro	
Bien Hecho	160 °F y más	El cerdo es uniformemente blanco/marrón en todas partes	
Costillas de Cerdo	180-200 °F	Blanco pálido. Cocine medio a bien hecho	
Salchicha Cruda	160 °F	Ya no es rosa	
Salchicha (Precocinada)	140 °F	Ya no es rosa	

Gracias por adquirir la Plancha de gas de 4 quemadores con cubierta dura de Royal Gourmet®.

Royal Gourmet garantiza que sus productos no presentan defectos de fabricación, ni de material ni de la mano de obra, si se los ensambla correctamente, se los utiliza de forma normal y se los cuida según las recomendaciones, durante un período de **1 año** a partir de la fecha de compra original. La garantía no cubre el acabado de la pintura ya que puede salirse durante el uso normal. **RUST no se considera una de fabricación o materiales defecto.**

Durante cinco años a partir de la fecha de compra, cualquier quemador de acero inoxidable que se oxide será reemplazado sin cargo.

Durante el período de vigencia establecido de la garantía, Royal Gourmet, a su criterio, reemplazará los componentes defectuosos sin costo alguno, debiendo hacerse responsable el propietario de los gastos de envío. Royal Gourmet se reserva el derecho de exigir que las piezas defectuosas sean devueltas por el consumidor, abonando los gastos de envío y/o el flete, por adelantado para su revisión y examen. En cas de problèmes de disponibilité des pièces, Royal Gourmet se réserve le droit de remplacer des pièces similaires qui sont également fonctionnels. Después de la fecha de vencimiento de la garantía, finalizarán todas las responsabilidades.

**\*Nota:** A fecha de recibo con el número de modelo y el número de serie de compra serán necesarios para el servicio de garantía.

Esta garantía limitada no ampara el costo en el que se incurra por inconvenientes, alimentos, lesiones ni daños a la propiedad. Cualquier cobertura de garantía será nula si esta plancha se utiliza con fines comerciales o de alquiler. Esta garantía limitada atañe ÚNICAMENTE al funcionamiento del producto y no ampara rayones, abolladuras, corrosión ni decoloración ocasionada por el calor, los productos de limpieza abrasivos y químicos, ni por las herramientas usadas en el armado o en la instalación del aparato, oxidación de las superficies ni decoloración de las superficies de acero inoxidable.

### LO QUE NO ESTÁ CUBIERTO EN EL SERVICIO DE GARANTÍA

Cualquier falla o problema de funcionamiento debido a un accidente, uso indebido o incorrecto, alteración, uso para otros fines, vandalismo, instalación incorrecta o mantenimiento o reparación inadecuados, o el incumplimiento del mantenimiento de rutina, incluyendo, pero sin limitarse a, daños causados por insectos dentro de los tubos del quemador, como se especifica en el manual del propietario.

Deterioro o daños debidos a condiciones meteorológicas severas, como granizo, huracanes, terremotos o tornados, decoloración debido a exposición a productos químicos ya sea directamente o en el ambiente.

Costo de llamadas de servicios.

Costos de envío o transportación.

La recogida y el envío de su producto.

Costos de devolución o reinstalación.

Costo de mano de obra por reinstalación o reparaciones.


Responsabilidad por daños indirectos o consiguientes.

Esta garantía Limitada es la única garantía entregada por Royal Gourmet y eemplaza a todas las demás garantías, expresas o implícitas, incluidas las garantías implícitas de comercialización o idoneidad para cualquier fin en particular. Ni Royal Gourmet ni el establecimiento minorista que ofrece este producto, tienen autoridad alguna para otorgar garantías o prometer otros recursos que sean adicionales o inconsistentes con los establecidos previamente.


La responsabilidad máxima de Royal Gourmet, en todos los casos, no superará el precio de compra del producto que el cliente o comprador original pagó. Algunos estados no permiten la exclusión o limitación de daños accidentales o resultantes. En dicho caso, no se aplicarán las exclusiones o limitaciones anteriores.

**No devuelva piezas sin antes obtener la autorización de devolución de nuestro departamento de servicio al cliente.**

Si tiene alguna duda sobre el nuevo montaje, la garantía o el anexo, por favor póngase en contacto con nuestro servicio al cliente. Estaremos encantados de ofrecer cualquier pieza de repuesto que necesite durante el período de garantía.

 1-800-618-6798

 [service@royalgourmetusa.com](mailto:service@royalgourmetusa.com)

 Lun.-Vie. 8:30 AM-5:00 PM, EST

## CONTENU

Pour votre sécurité .....	30-31
Informations et instructions générales .....	32-34
Instructions d'utilisation .....	35-36
Nettoyage et entretien .....	37-38
Guide de dépannage .....	39-40
Guide de température .....	41
Garantie et service de clientèle .....	42
Schéma des pièces .....	43
Liste des pièces .....	44-45
Liste du matériel .....	45
Assemblage .....	46-49

### DANGER

#### Si vous sentez du gaz:

1. Coupez l'alimentation en gaz du plaque de cuisson.
2. Éteignez toute flamme nue.
3. Si une odeur persiste, éloignez-vous du plaque de cuisson et appelez immédiatement les pompiers.

**REMARQUE:** Le non-respect de ces instructions peut entraîner un incendie, une explosion ou des brûlures pouvant entraîner des dommages matériels, des blessures corporelles ou la mort.

### AVERTISSEMENT

1. L'installation doit être conforme aux codes locaux ou, en l'absence de codes locaux, au *Code national du gaz combustible*, ANSI Z223.1/NFPA 54.
2. Ne pas stocker ou utiliser d'essence ou d'autres liquides ou vapeurs inflammables à proximité de cet appareil ou de tout autre appareil.
3. Une bouteille de GPL non raccordée ne doit pas être entreposée à proximité de cet appareil ou de tout autre appareil.

### AVERTISSEMENT

NE PAS utiliser le couvercle rigide pour recouvrir la plaque de cuisson pendant que vous cuisinez.

En cas de problème, appelez-nous d'abord! NE renvoyez PAS le plaque de cuisson au détaillant. Ce plaque de cuisson a été conçu selon des normes de qualité élevées. Si vous avez des questions qui ne sont pas traitées dans ce manuel de l'utilisateur ou si vous avez besoin de pièces détachées, veuillez appeler notre service de clientèle.

## ⚠ ATTENTION ⚠

1. Ce plaque de cuisson est conçu pour être utilisé avec du gaz propane uniquement (bouteille de gaz propane non incluse).
2. N'utilisez jamais de charbon ou de liquide à briquet avec des grils à gaz.
3. N'essayez jamais de fixer ce plaque de cuisson au système autonome de propane d'une remorque de camping, d'un camping-car ou d'une maison. Cet appareil n'est pas destiné à un usage commercial.
4. N'UTILISEZ PAS d'essence, de kérosène ou d'alcool pour l'éclairage. Ce plaque de cuisson n'est pas destiné à être utilisé dans ou sur des véhicules ou des bateaux de plaisance.
5. Les enfants ne doivent jamais utiliser votre plaque de cuisson. Gardez les enfants et les animaux domestiques à l'écart lorsqu'elle est utilisée.
6. N'essayez PAS de déplacer le plaque de cuisson lorsqu'il est allumé ou chaud. NE PAS modifier le plaque de cuisson.
7. N'UTILISEZ PAS le plaque de cuisson s'il n'est pas complètement assemblé et que toutes les pièces sont solidement fixées et serrées.
8. N'UTILISEZ PAS le plaque de cuisson ou tout autre produit à gaz à proximité de bâtiments et de matériaux combustibles non protégés.
9. N'UTILISEZ PAS en présence de gaz ou de vapeurs. Gardez l'endroit du plaque de cuisson dégagé et exempt de matériaux combustibles, d'essence et d'autres vapeurs et liquides inflammables.
10. NE touchez PAS les parties métalliques du plaque de cuisson avant qu'elles ne soient complètement refroidies (environ 45 minutes) pour éviter les brûlures, sauf si vous portez un équipement de protection (les gants de cuisine, les maniques, etc.).
11. Utilisez le plaque de cuisson à au moins 91 cm (36 pouces) de tout mur ou surface. Laissez un espace de 10 pieds entre le plaque de cuisson et les objets qui peuvent prendre feu.
12. Ne pas utiliser cet appareil sous une toiture ou un feuillage.
13. Nettoyez et inspectez le tuyau avant chaque utilisation. S'il y a des signes d'abrasion, d'usure, de coupure ou de fuite, le tuyau doit être remplacé avant d'utiliser le plaque de cuisson. Le tuyau de remplacement doit être conforme aux spécifications du fabricant spécifiées par le fabricant.
14. Éloignez le plus possible le tuyau de gaz des surfaces chaudes et des gouttes de graisse chaude.
15. Ne gardez jamais une bouteille de GPL remplie dans une voiture ou un camion chaud. La chaleur peut entraîner une augmentation de la pression du gaz, ce qui peut ouvrir la vanne de décharge et permettre le gaz de s'échapper.
16. Gardez le compartiment de la vanne du plaque de cuisson, les brûleurs et les passages d'air de circulation propres. Inspectez le plaque de cuisson avant chaque utilisation. Lorsque vous cuisinez avec de l'huile/de la graisse, ne laissez pas l'huile/la graisse dépasser 177 °C (350 °F).
17. N'obstruez pas le flux d'air pour la combustion et la ventilation.
18. Gardez les ouvertures de ventilation de l'enceinte de la bouteille exempts de débris.
19. Veuillez conserver ce manuel de l'utilisateur pour référence ultérieure.



## PROPOSITION 65 DE CALIFORNIE AVERTISSEMENTS

1. Les carburants utilisés dans les appareils à gaz et les sous-produits qui appliquent ces carburants peuvent vous exposer à des produits chimiques, y compris le monoxyde de carbone, qui est considérés comme les sources d'anomalie congénitale ou d'autres troubles de la reproduction par l'État de Californie.
2. Ce produit contient du Nickel (Métallique) reconnu par l'État de Californie comme la source de cancer.
3. Ce produit contient du Plomb et des Composés de plomb reconnu par l'État de Californie qui provoque le cancer, des anomalies congénitales ou d'autres troubles de la reproduction.

Pour plus d'informations, visitez: [www.P65Warnings.ca.gov](http://www.P65Warnings.ca.gov)

## **⚠ AVERTISSEMENT ⚠**

1. Ce plaque de cuisson est destiné à un usage extérieur uniquement et ne doit pas être utilisé à l'intérieur d'un bâtiment, d'un garage ou de tout autre espace fermé.
2. La consommation d'alcool, de médicaments sur ordonnance ou en vente libre peut nuire à la capacité des opérateurs d'assembler correctement ou de faire fonctionner le plaque de cuisson en toute sécurité.
3. Placez toujours votre plaque de cuisson sur une surface dure et plane loin des combustibles.
4. Ne laissez pas un plaque de cuisson allumé sans surveillance. Tenez TOUJOURS les enfants et les animaux éloignés du plaque de cuisson.
5. Ne placez le plaque de cuisson sur aucun type de surface de table.
6. N'utilisez pas le plaque de cuisson en cas du vent fort.
7. N'utilisez pas le plaque de cuisson pour cuire de la viande trop grasse ou d'autres aliments gras où il y a des risques de flambées.

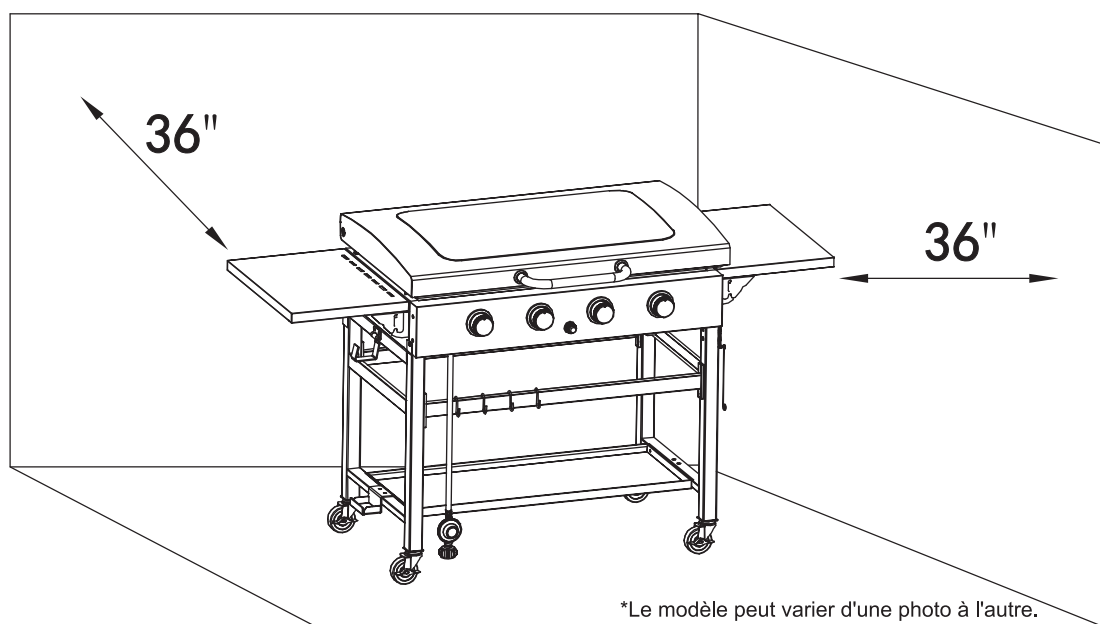
## **⚠ DANGER: RISQUE LIÉ AUX BOUTEILLES DE GPL ⚠**

Le gaz propane liquide est inflammable et dangereux s'il est manipulé incorrectement. Comprenez les caractéristiques avant d'utiliser tout produit au propane.

1. Caractéristiques du propane: Inflammable, explosif sous pression, plus lourd que l'air, se dépose dans les piscines et les zones basses.
2. À l'état naturel, le propane n'a pas d'odeur. Pour votre sécurité, un odorant a été ajouté.
3. Le contact avec le propane peut causer des brûlures de gel sur la peau.
4. Ce plaque de cuisson est expédié de l'usine pour une utilisation avec du gaz propane uniquement.
5. N'utilisez jamais une bouteille de propane avec un corps, une vanne, un collier ou des pieds endommagés.
6. Les bouteilles de propane bosselées ou rouillées peuvent être dangereuses et doivent être vérifiées par votre fournisseur de gaz propane.

## **⚠ POUR VOTRE SÉCURITÉ ⚠**

1. Utilisez le plaque de cuisson à au moins 91 cm (36 pouces) de tout mur ou surface. Laissez un espace de 10 pieds entre le plaque de cuisson et les objets qui peuvent prendre feu.
2. Ne placez pas le plaque de cuisson dans l'endroit où il y a des surfaces combustibles au-dessus de la tête.



\*Le modèle peut varier d'une photo à l'autre.



## INSTRUCTIONS POUR L'USAGE

Suivre correctement ce mode d'emploi afin d'éviter de sérieux dommages corporels ou matériels ainsi que pour préserver l'appareil.

1. Suivre soigneusement les instructions de montage de l'appareil.
2. Connectez la bouteille de propane à la plaque de cuisson (bouteille de propane non incluse).
3. RETRAIT du couvercle rigide. Tournez tous les boutons de contrôle en position « Arrêt » (éteinte) avant d'ouvrir l'arrivée de gaz.
4. Utiliser le régulateur en fonction des instructions données.

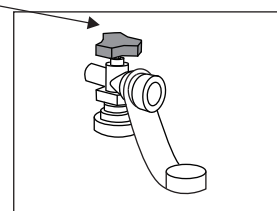
## INFORMATIONS SUR LE GPL ET LES BOUTEILLES

Votre nouveau plaque de cuisson à gaz fonctionne au gaz PL (pétrole liquéfié). Il est inodore, incolore et non toxique une fois produit. Vous pouvez sentir le gaz de pétrole liquéfié car il a reçu une odeur semblable à celle des œufs pourris pour votre sécurité.

Votre plaque de cuisson utilise la bouteille (réservoir) de GPL la plus récente et la plus sûre qui comprend deux caractéristiques:

1. Un OPD (dispositif de protection contre le sur-remplissage)-empêche les fuites de gaz accidentelles causées par un remplissage excessif du bouteille. Chaque réservoir contient un flotteur qui ferme la vanne d'entrée lorsque le bouteille est plein à 80%. Cela permet au gaz propane de se dilater aux températures élevées. Un volant triangulaire distingue ce type de bouteille.
2. Une vanne à connexion rapide QCC1 de type 1 qui fournit des branchements rapides du bouteille et ne nécessite qu'un serrage manuel.

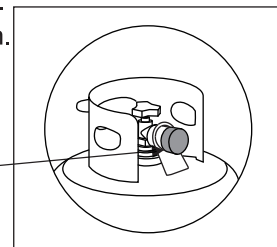
Volant triangulaire



## TRANSPORT ET STOCKAGE

1. Le bouteille de gaz doit comprendre un collier pour protéger la vanne d'alimentation en gaz.
2. Ne stockez pas de bouteille de gaz de recharge sous ou à proximité du plaque de cuisson.
3. Ne remplissez jamais le bouteille de gaz au-delà de 80% de sa capacité.
4. Si les avertissements en 2 et 3 ci-dessus ne sont pas exactement respectés, un incendie provoquant la mort ou des blessures graves peut se produire.
5. Transportez toujours en position verticale.
6. Ne fumez pas lors du transport de votre bouteille de gaz.
7. Placez un capuchon anti-poussière sur la sortie de la vanne de gaz du bouteille chaque fois que le bouteille n'est pas utilisé. Utilisez uniquement le type de capuchon anti-poussière fourni lors de l'achat de la vanne du bouteille. D'autres types de capuchons ou de bouchons peuvent entraîner une fuite de propane.

Bouchon anti-poussière



## SPÉCIFICATIONS DE BOUTEILLE

1. Le bouteille de gaz acheté ou échangé pour votre plaque de cuisson à gaz doit être fabriqué et marqué conformément aux spécifications pour les bouteilles de GPL du ministère des Transports des États-Unis (DOT) ou à la norme nationale du Canada, CAN/CSA-B339, Bouteilles, Sphères et Tubes pour le Transport des Marchandises Dangereuses, être équipé d'un dispositif anti- sur-remplissage (OPD) répertorié et être équipé d'un dispositif de connexion de bouteille compatible avec une connexion pour appareils de cuisson extérieurs.
2. La capacité de la bonbonne utilisée avec cet appareil ne doit pas dépasser 9,1 kg (20 lb.). Taille approximative: 45,7 cm (18 pouces) de hauteur et 30,5 cm (12 pouces) de diamètre.
3. Ce plaque de cuisson est conçu pour s'adapter aux bouteilles de 9,1 kg (20 lb.) de marque Worthington, Manchester ou SMPC. D'autres marques peuvent s'adapter à ce plaque de cuisson si le collier supérieur et l'anneau de support inférieur ont des dimensions similaires.

## LA BOUTEILLE DOIT ÉGALEMENT ÊTRE ÉQUIPÉE DE:

1. Une vanne d'arrêt se terminant par une sortie de vanne de bouteille de gaz de type 1
2. Une vanne de type 1 qui empêche l'écoulement du gaz jusqu'à ce qu'un joint positif soit réalisé
3. Un collier pour protéger la vanne d'arrêt de la bouteille
4. Un dispositif de décharge de sécurité directement lié à l'espace de vapeur de la bouteille

## ⚠ AVERTISSEMENT ⚠

Une vanne de bouteille givrée indique un débordement possible de gaz. Fermez la vanne de GPL et appelez immédiatement votre revendeur de GPL.

1. NE PAS connecter ce plaque de cuisson à une vanne de bouteille # 510 POL existante avec des filetages à gauche. La vanne de type 1 peut être identifiée par les grands filetages externes sur la sortie de la vanne.
2. NE PAS connecter à une bouteille de propane dépassant cette capacité.
3. NE PAS connecter à une bouteille qui utilise un autre type de dispositif de connexion de vanne.

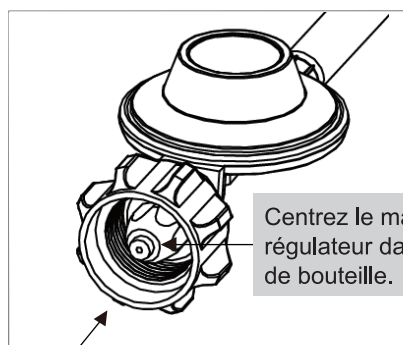
## RACCORDEMENT DU RÉGULATEUR AU BOUTEILLE DE GAZ

### ⚠ ATTENTION ⚠

Utilisez uniquement le régulateur de pression de gaz fourni avec cet appareil de cuisson à l'extérieur. Ce régulateur est réglé pour une pression de sortie de 11 pouces de colonne d'eau.

Votre régulateur est équipé d'un système de connexion rapide QCC de Type 1. Il ne permet pas au gaz de s'écouler tant qu'un joint positif n'a pas été réalisé. Il est doté d'un élément thermique qui coupe le débit de gaz si la température atteint 115 °C (240 °F). Il dispose également d'un dispositif limiteur de débit lequel limite le débit de gaz à 0,28 mètre cube par heure (10 pieds cubes par heure).

1. Assurez-vous que la bouteille de gaz est éteinte en tournant le volant dans le sens horaire jusqu'à ce qu'il s'arrête.
2. Fixez correctement la bouteille de gaz sur le crochet et la base de la bouteille.
3. Assurez-vous que toutes les commandes du brûleur sont en position OFF.
4. Retirez le capuchon de sécurité de la vanne de bouteille.
5. Centrez le mamelon du régulateur dans la vanne de bouteille.
6. Tournez l'écrou noir dans le sens horaire jusqu'à ce qu'il s'arrête. Serrez à la main uniquement. N'utilisez pas de clé.



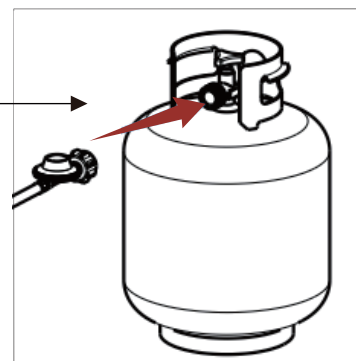
Centrez le mamelon du régulateur dans la vanne de bouteille.

Connecteur QCC 1 Type 1

Le régulateur doit entrer dans la vanne de bouteille en ligne droite.

### ⚠ AVERTISSEMENT

Gardez toujours la bouteille de gaz en position verticale à tout moment.



## ⚠ AVERTISSEMENT ⚠

1. Ne connectez pas ce plaque de cuisson à des sources de propane non réglementées.
2. Avant chaque utilisation, vérifiez le tuyau de gaz pour une abrasion excessive, une usure ou des coupures. Remplacez un tuyau endommagé par celui spécifié dans la liste des pièces avant d'utiliser le plaque de cuisson.
3. Effectuez toujours l'essai de fuite ci-dessous avant d'utiliser votre plaque de cuisson pour la première fois, lorsque la bouteille a été changée, lorsque des composants d'alimentation en gaz ont été changés, lorsque le dispositif de limitation de débit du régulateur a été activé, ou après une longue période de non-utilisation.
4. N'essayez pas de connecter ce plaque de cuisson au système de GPL d'un camping-car ou d'une remorque.

## TEST D'ÉTANCHÉITÉ DU BOUTEILLE DE GAZ

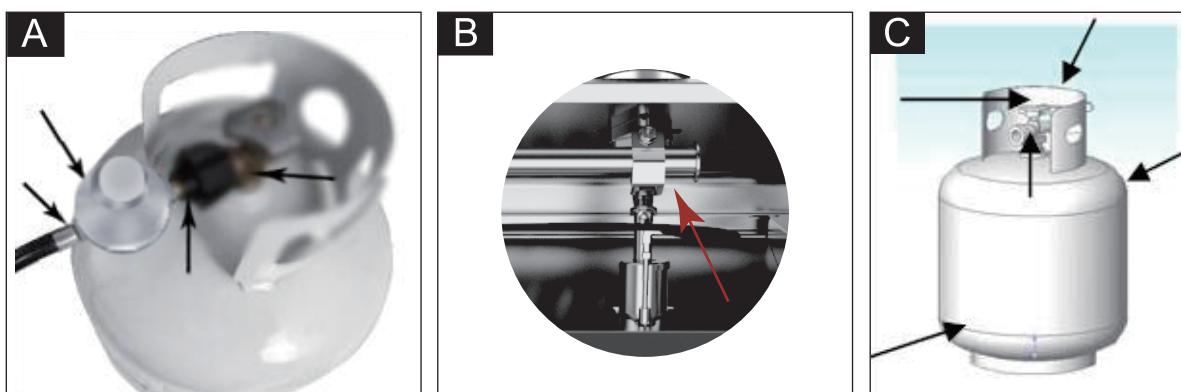
1. Le test d'étanchéité doit être répété chaque fois que le bouteille de gaz est remplacé ou rempli.
2. Ne fumez pas et n'ayez rien à proximité qui puisse s'allumer facilement, comme des briquets ou des allumettes.
3. N'utilisez pas de flamme nue pour vérifier s'il y a des fuites de gaz.
4. L'appareil doit être vérifié à l'extérieur dans un endroit bien ventilé, loin des flammes nues ou des étincelles.
5. RETIREZ les casseroles ou autres ustensiles de cuisine du brûleur avant de commencer le test.

### TEST D'ÉTANCHÉITÉ DU BOUTEILLE DE GAZ:

Utilisez un pinceau propre et une solution 50/50 d'eau et de savon doux.

N'utilisez pas de produits de nettoyage ménagers. Cela peut endommager les composants du de gaz.

1. Fermez tous les boutons de commande du brûleur, le régulateur et les robinets de la bouteille.
2. Assurez-vous que le régulateur est correctement connecté au bouteille de gaz.
3. Ouvrez complètement la vanne du bouteille de gaz en tournant le bouton dans le sens antihoraire. Si vous entendez un bruit sec, éteignez immédiatement le gaz. La connexion a une fuite considérable. Veuillez corriger cette situation avant de continuer.
4. Brossez la solution savonneuse sur toutes les coutures métalliques et sur toute la zone de la valve, comme indiqué sur les chiffres ci-dessous.



5. Tournez lentement le robinet de la bouteille de GPL dans le sens inverse des aiguilles d'une montre jusqu'à la position ouverte.
6. Ouvrez complètement la vanne du réservoir en tournant le bouton dans le sens antihoraire. Si vous entendez un bruit sec, éteignez immédiatement le gaz. La connexion a une fuite considérable.
7. Veuillez corriger cette situation avant de continuer, communiquez avec votre détaillant. Ne pas faire fonctionner l'appareil s'il y a une fuite.
8. Examinez toujours le tuyau pour voir s'il n'est pas endommagé. Si vous constatez un dommage, n'essayez pas de réparer le tuyau. Remplacer le tuyau est la seule option sécurisée.
9. Pour toute assistance concernant un dysfonctionnement lié au bouteille de gaz, au régulateur ou au tuyau, contactez le service clientèle.
10. Après avoir testé les fuites, fermez toujours le robinet du bouteille de gaz, en tournant le bouton dans le sens des aiguilles d'une montre.

**EN AUCUN CAS, LA VANNE NE DOIT RESTER EN POSITION OUVERTE PENDANT PLUS DE 12 SECONDES.**

### **⚠ AVERTISSEMENT ⚠**

1. N'UTILISEZ PAS LE PLAQUE DE CUISSON s'il y a des fuites. Assurez-vous que la vanne de bouteille de GPL est fermée. Si la bouteille de GPL fuit toujours, contactez votre revendeur de GPL ou appelez le 911.
2. N'utilisez pas d'allumettes, de flammes nues ou de fumée pendant l'essai de fuite.
3. N'allumez aucun brûleur pendant l'essai de fuite.
4. Les pièces de rechange, y compris un ensemble de tuyau de remplacement, doivent être conformes aux spécifications de la liste des pièces.

**Le non-respect de ces instructions peut entraîner des blessures graves.**

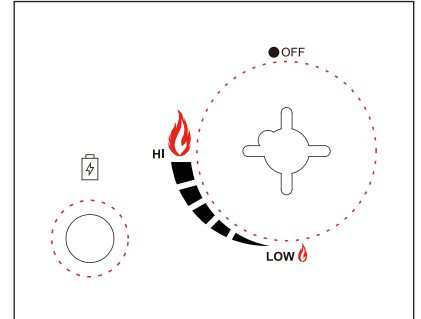
Chaque brûleur du plaque de cuisson est testé et étalonné en usine avant expédition; cependant, des variations de l'approvisionnement local en gaz peuvent rendre nécessaire le réglage des brûleurs. Veuillez vérifier visuellement les flammes des brûleurs. Inspectez toujours visuellement votre plaque de cuisson avant de l'allumer. Remplacez tout tuyau effiloché ou fissuré. Recherchez tout ce qui pourrait bloquer la ventilation et éliminez un tel blocage ou déplacez le plaque de cuisson. Après l'allumage, vérifiez le modèle de flamme pour vous assurer d'avoir une répartition uniforme de la chaleur pour chaque brûleur. Si les brûleurs ne s'allument pas ou si le motif de flamme est irrégulier, consultez la section de Dépannage.

### ⚠ AVERTISSEMENT: AVANT D'ALLUMER ⚠

1. Lisez les instructions avant d'allumer.
2. Si l'allumage ne se produit pas dans les 5 secondes, fermez la (les) commande (s) du brûleur, attendez 5 minutes et répétez la procédure d'allumage.
3. Inspectez le tuyau d'alimentation en gaz avant de mettre le gaz sur «ON». S'il y a des signes de coupures, d'usure ou d'abrasion, il doit être remplacé avant utilisation. N'utilisez pas le plaque de cuisson si une odeur de gaz est présente. Utilisez uniquement le régulateur de pression et le tuyau fournis avec l'appareil.
4. N'utilisez jamais de régulateurs et de tuyaux autres que ceux fournis avec le plaque de cuisson. Si un remplacement est nécessaire, contactez le fabricant pour obtenir le remplacement approprié. Le remplacement doit être conforme aux spécifications du Manuel de l'Utilisateur. **NE LAISSEZ PAS LE PLAQUE DE CUISSON SANS SURVEILLANCE PENDANT LA CUISSON.**

## ALLUMER LES BRÛLEURS AVEC L'ALLUMAGE ÉLECTRONIQUE

1. RETRAIT du couvercle rigide. Tournez TOUS les boutons de commande en position OFF.
  2. Ouvrez l'alimentation en gaz au niveau de la vanne du bouteille de gaz ou du régulateur.
  3. Enfoncez le bouton de commande et tournez-le dans le sens inverse des aiguilles d'une montre jusqu'à la position HI. Appuyez sur le bouton de l'allumeur et maintenez-le enfoncé pour allumer les brûleur.
  4. Si le brûleur ne s'allume pas, tournez le bouton de commande en position OFF, attendez 5 minutes avant d'essayer de rallumer le brûleur.
  5. Si le brûleur s'allume, répétez l'opération pour les autres brûleurs, et tournez les boutons de commande à la température requise pour votre nourriture.
- \* Si les brûleurs ne s'allument toujours pas, vérifiez l'alimentation en gaz.



## ALLUMER MANUELLEMENT LES BRÛLEURS AVEC ALLUMETTE

1. RETRAIT du couvercle rigide. Tournez TOUS les boutons de commande en position OFF.
  2. Ouvrez l'alimentation en gaz au niveau de la vanne du bouteille de gaz ou du régulateur.
  3. Mettez une allumette dans le porte-allumette. Le porte-allumette est fixé au panneau latéral.
  4. Placez l'allumette allumée dans le trou d'allumage de l'allumette sur le côté du plaque de cuisson. Assurez-vous que l'allumette allumée se trouve à proximité des orifices du brûleur.
  5. Enfoncez le bouton de commande et tournez-le dans le sens inverse des aiguilles d'une montre jusqu'à la position HI. Le brûleur doit s'allumer immédiatement.
  6. Si le brûleur ne s'allume pas, tournez le bouton de commande en position OFF, attendez 5 minutes avant d'essayer de rallumer le brûleur.
  7. Si le brûleur s'allume, répétez l'opération pour les autres brûleurs, et tournez les boutons de commande à la température requise pour votre nourriture.
- \* Si les brûleurs ne s'allument toujours pas, vérifiez l'alimentation en gaz.

## ÉTEINDRE VOTRE PLAQUE DE CUISSON

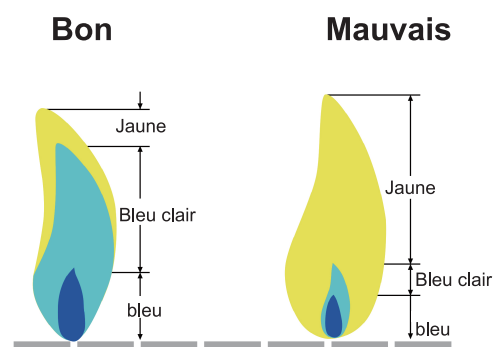
1. Fermez l'alimentation en gaz du bouteille de gaz en tournant la vanne dans le sens des aiguilles d'une montre jusqu'à l'arrêt complet.
2. Tournez tous les boutons de commande du brûleur en position OFF.

### ⚠ AVERTISSEMENT ⚠

N'utilisez pas d'alcool ou d'essence pour allumer ou rallumer!

## FLAMMES DU BRÛLEUR

Vérifiez toujours le motif de flamme du brûleur après l'allumage. Une bonne flamme doit être principalement bleue avec une pointe jaune et avoir un minimum de scintillement. Certaines pointes jaunes conviennent si elles sont inférieures à 2,5 cm (1"). Les nouveaux brûleurs ont parfois des résidus d'huile, ce qui provoquera une flamme jaune lors de la combustion. Les variations de l'alimentation en gaz, de l'altitude, des conditions météorologiques et d'autres facteurs peuvent avoir un impact sur les performances du brûleur. Les appareils plus anciennes peuvent également montrer plus de flammes jaunes en raison des dépôts de nourriture, de l'huile et de l'accumulation de graisse.



## GUIDE DE SÉCHAGE DU PLAQUE DE CUISSON

Le séchage correspond au procédé par lequel l'huile est chauffée dans le métal afin de créer une surface anti-adhésive protégeant contre l'oxydation. La plaque de cuisson sont fournis avec une fine couche d'huile de soja qui les protègent contre la rouille pendant la livraison et stocker.

### LA PREMIÈRE FOIS:

1. Nettoyer avec de l'eau savonneuse. Rincez-la bien et séchez-la.
2. Appliquez une petite quantité d'huile sur la surface de la plaque de cuisson et étalez-la à l'aide d'une serviette en papier.
3. Allumez votre plaque de cuisson sur une chaleur moyenne. Faites chauffer l'huile jusqu'à son la ce qu'il arrête de fumer. Ceci est bon signe. Éteignez votre plaque de cuisson.
4. Laissez-le suffisamment refroidir pour créer une nouvelle couche d'huile. Répétez ci-dessus étapes 2 à 3 fois jusqu'à ce que votre plaque de cuisson présente une belle surface sombre. Votre plaque de cuisson est maintenant prêt à être utilisé. Utilisez des ustensiles par barbecue munis de manches longs et des gants isolants pour éviter les brûlures et les éclaboussures. Passez au "PRÉCHAUFFAGE".

\*Une fois que vous avez terminé d'utiliser le plaque de cuisson, il vous est recommandé d'appliquer une fine couche d'huile de cuisson pour maintenir le lien du séchage et le protéger de la rouille.

## PRÉCHAUFFAGE

Il est nécessaire de préchauffer le plaque de cuisson avant de cuire certains aliments, selon le type d'aliment et la température de cuisson. Préchauffer le plaque de cuisson à MEDIUM/HIGH pendant 10 minutes. Réduire la température selon ce que vous allez griller. Ensuite, enduire ou vaporiser le plaque de cuisson d'huile d'olive ou végétale pour éviter que les aliments ne collent aux plaque de cuisson.


## COUVERCLE RIGIDE POUR PLAQUE DE CUISSON

Le couvercle rigide pour plaque de cuisson est conçu pour protéger le dessus de la plaque de cuisson des éléments lorsqu'elle n'est pas utilisée.

Votre nouvelle plaque de cuisson a été conçue et fabriquée selon des normes de qualité élevées. Il vous procurera de nombreuses années de plaisir à griddleer, mais il nécessite un minimum d'entretien. Nettoyez fréquemment la plaque de cuisson, de préférence après chaque cuisson. Si une brosse à poils est utilisée pour nettoyer l'une des surfaces de la plaque de cuisson destinées à la cuisson, assurez-vous qu'aucun poil ne reste sur les surfaces de cuisson avant toute utilisation de la plaque de cuisson.

### **AVERTISSEMENT**

1. Ne nettoyez aucune pièce de la plaque de cuisson dans un four autonettoyant.
2. N'utilisez pas de nettoyants pour fours, de nettoyants abrasifs pour la cuisine, de nettoyants contenant des agrumes ou d'essence minérale.
3. Nettoyez votre plaque de cuisson régulièrement pour éviter l'accumulation de graisse, les feux de graisse ou les flambées excessives.
4. Laissez toujours la plaque de cuisson refroidir avant de la nettoyer.

 La graisse est inflammable. Laissez refroidir la graisse chaude avant d'essayer de la manipuler. Évitez de laisser les dépôts de graisse s'accumuler dans le bas de l'assemblage de la cuve de la plaque de cuisson.

### **PLAQUE DE CUISSON**

La plupart des aliments peuvent être nettoyés en grattant et en essuyant la plaque chauffante avec une serviette en papier ou un chiffon doux humide. Pour éliminer les résidus alimentaires tenaces, vous pouvez utiliser un nettoyant doux en crème et un tampon. Vous pouvez également utiliser de l'eau savonneuse ou une serviette en papier et 1/4 tasse de sel de table comme autre méthode de nettoyage de votre plaque de cuisson. Rincez-la bien et séchez-la.

**REMARQUE:** Nettoyez votre plaque de cuisson avant de la ranger. Recouvrez avec le couvercle rigide pour plaque de cuisson. Une couvercle souple est fortement recommandée pour protéger davantage votre couvercle rigide et votre plaque de cuisson. Faites votre choix parmi un large choix de couvercles souples de plaque de cuisson proposés par les fabricants. **NE PAS** laisser la plaque de cuisson avec son couvercle à l'extérieur pendant une longue période.

### **ACIER INOXYDABLE**

Nettoyez avec un produit à polir polyvalent, à faible abrasion, pour métal ou acier inoxydable sans phosphore et un chiffon doux. Polissez toujours dans le sens de la finition. Ne laissez pas la graisse et la saleté s'accumuler. De plus, plusieurs produits et substances d'origine naturelle peuvent endommager toutes les finitions en acier inoxydable. Ceux-ci incluent, mais sans s'y limiter, les produits chimiques pour piscines (chlore et brome), les engrais pour pelouse et jardin, les produits de fonte des glaces, l'eau de mer ou autre eau salée, l'urine, les excréments d'oiseaux et la sève des arbres. Au contact de ces substances, lavez et séchez immédiatement la surface en acier inoxydable et faites attention à éviter les brûlures.

### **AUTRES SURFACES EXTÉRIEURES**

Lavez avec un détergent à vaisselle doux et de l'eau tiède. Vous pouvez utiliser un chiffon, une brosse douce (non métallique) ou un tampon de nettoyage en plastique. Rincez abondamment et essuyez.

### **BAC À GRAISSE**

Vérifiez après chaque utilisation. Retirez et videz le bac à moitié plein. Avec de l'eau tiède et un détergent à vaisselle doux.

### **BRÛLEURS**

Nous vous recommandons de nettoyer vos brûleurs au moins deux fois par an, ou avant utilisation si la plaque de cuisson n'a pas été utilisée depuis plus d'un mois.

## COUVERCLE RIGIDE

Nettoyage de routine: Nettoyez avec une serviette en papier ou un chiffon doux humide. Séchez toujours le couvercle rigide avec une serviette ou un chiffon pour éviter les taches d'eau.

**REMARQUE:** Ne jamais utiliser de nettoyeurs abrasifs ou de brosses à poils qui pourraient rayer la surface.

### **AVERTISSEMENT**

De petits insectes et araignées peuvent pénétrer dans les tubes du brûleur. Parfois, ils construisent des nids ou des toiles qui peuvent bloquer ou réduire la quantité de gaz circulant à travers le brûleur. Vous verrez généralement une flamme plus petite, ou une flamme qui est principalement jaune plutôt que bleue, provenant du brûleur lorsque cela se produit. D'autres signes incluent le plaque de cuisson générant une chaleur inégale ou faible, ou la difficulté d'allumer les brûleurs. En cas de blocage grave, cela peut provoquer une combustion de la flamme vers l'arrière et à l'extérieur des tubes du brûleur, ce qui peut endommager votre plaque de cuisson et/ou provoquer des blessures. **ARRÊTEZ IMMÉDIATEMENT LE DÉBIT DE GAZ PROPANE AU NIVEAU DU BOUTEILLE EN TOURNANT LE VOLANT DANS LE SENS DES HORAIRES, SI CELA SE PRODUIT.** Attendez que le plaque de cuisson refroidisse, puis nettoyez tous les brûleurs.

## NETTOYAGE DES BRÛLEURS

1. Assurez-vous que le gaz est éteint au niveau du bouteille de gaz.
2. Retirez la plaque de cuisson supérieure.
3. Soulevez chaque brûleur et sortez-le.
4. Nettoyez l'intérieur du brûleur à l'aide d'un fil rigide. Un cintre redressé fonctionnera. Une alternative consiste à utiliser de l'air comprimé. Portez toujours un équipement de protection pour vos yeux lorsque vous utilisez cette méthode. N'agrandissez jamais les orifices du brûleur pendant le nettoyage.
5. Brossez la surface extérieure du brûleur.
6. Assurez-vous que tous les ports (trous) sont exempts de débris.
7. Inspectez les brûleurs. Remplacez ceux qui ont des fissures ou des ports élargis.
8. Remplacez la plaque de cuisson supérieure.
9. Effectuez l'essai de fuite décrit plus haut dans ce Manuel de l'Utilisateur.

### **AVERTISSEMENT**

1. Un emplacement approprié du brûleur et de la vanne est essentiel pour assurer la sécurité.
2. N'utilisez pas de solvants puissants ou abrasifs, ni de tampons abrasifs, car ils pourraient attaquer les surfaces et laisser des traces de rayures.

## STOCKAGE DU PLAQUE DE CUISSON

1. Nettoyez votre plaque de cuisson avant de le ranger. Stockez le plaque de cuisson dans un emplacement sec.
2. Le stockage d'un plaque de cuisson à gaz à l'intérieur n'est permis qu'après que le bouteille de gaz est débranché et retiré du plaque de cuisson à gaz.
3. Une couvercle souple est fortement recommandée pour protéger davantage votre couvercle rigide et votre plaque de cuisson. Faites votre choix parmi un large choix de couvercles souples de plaque de cuisson proposés par les fabricants. **NE PAS** laisser la plaque de cuisson avec son couvercle à l'extérieur pendant une longue période.
4. Effectuez un essai de fuite avant d'utiliser le plaque de cuisson après qu'il a été entreposé pendant un certain temps.

Urgences	Cause possible	Prévention/Solution
Fuite de gaz d'un tuyau fissuré/coupé/brûlé	Tuyau endommagé	Coupez le gaz au niveau du bouteille de gaz, si le tuyau est coupé ou fissuré, remplacez le tuyau. Effectuez un essai de fuite du bouteille de gaz et vérifiez la connexion du régulateur au bouteille de gaz.
Fuite de gaz du bouteille de gaz	Panne mécanique due au vieillissement ou à une mauvaise manipulation	Fermez la vanne du bouteille de gaz. Contactez votre revendeur de GPL ou appelez le 911.
Fuite de gaz de la vanne du bouteille de gaz	Défaillance de la vanne du bouteille en raison d'une mauvaise manipulation ou d'une défaillance mécanique	Fermez la vanne du bouteille de gaz. Renvoyez le bouteille de gaz au fournisseur de gaz.
Fuite de gaz entre le bouteille de gaz et la connexion du régulateur	Mauvaise installation, connexion desserrée, défaillance du joint en caoutchouc	Fermez la vanne du bouteille de gaz, retirez le régulateur de la bouteille et inspectez visuellement le joint en caoutchouc pour détecter tout dommage. Effectuez un essai de fuite du bouteille de gaz et vérifiez la connexion du régulateur au bouteille de gaz.
Le feu passe par le panneau de commande	Incendie dans la section du tube de brûleur en raison d'un blocage partiel	Fermez les boutons de commande et la vanne du bouteille de gaz. Lorsque le feu est éteint et que le plaque de cuisson est froid, retirez le brûleur et inspectez les nids d'araignées ou la rouille. Consultez les pages sur les dangers naturels et le nettoyage de l'ensemble du brûleur.

Dépannage: Problème	Cause possible	Prévention/Solution
Feu de graisse ou flamme excessive continue au-dessus de la surface de cuisson	Trop d'accumulation de graisse dans la zone du brûleur	Fermez le bouteille de gaz. Après refroidissement, nettoyez les particules d'aliments et l'excès de graisse à l'intérieur de la chambre à feu, de la cuve/bac/plateau de graisse et d'autres surfaces.
Le brûleur ne s'allume pas lors de l'utilisation de l'allumeur	<p>Problèmes de gaz:</p> <ol style="list-style-type: none"> <li>1. Essayant d'allumer le mauvais brûleur</li> <li>2. Brûleur non engagé avec la vanne de commande</li> <li>3. Obstruction dans le brûleur</li> <li>4. Aucun débit de gaz</li> <li>5. Verrouillage de vapeur au niveau de l'écrou d'accouplement au bouteille de gaz</li> <li>6. L'écrou d'accouplement et la vanne du bouteille de gaz ne sont pas entièrement connectés.</li> </ol>	<ol style="list-style-type: none"> <li>1. Consultez les instructions sur le panneau de commande.</li> <li>2. Assurez-vous que la vanne est positionnée à l'intérieur des tubes du brûleur.</li> <li>3. Assurez-vous que les tubes du brûleur ne sont pas obstrués par des toiles d'araignées ou d'autres matériaux; voir la section de nettoyage pour l'nettoyage et entretien.</li> <li>4. Assurez-vous que le bouteille de gaz n'est pas vide. Si le bouteille de gaz n'est pas vide, vérifiez « chute soudaine du débit de gaz ».</li> <li>5. Fermez les boutons et déconnectez l'écrou d'accouplement du bouteille de gaz. Reconnectez-le et réessayez.</li> <li>6. Tournez l'écrou d'accouplement d'environ un demi à trois quarts.</li> </ol>
	<p>Problèmes électriques:</p> <ol style="list-style-type: none"> <li>1. Électrode fissurée ou cassée; des étincelles à la fissure.</li> <li>2. La pointe de l'électrode n'est pas dans la bonne position.</li> <li>3. Le fil et/ou l'électrode sont recouverts de résidus de cuisson.</li> <li>4. Les fils sont desserrés ou déconnectés.</li> <li>5. Les fils sont en court-circuitée entre l'allumeur et l'électrode.</li> <li>6. Le bouton-poussoir reste en bas, faisant des étincelles entre l'allumeur et l'électrode.</li> </ol>	<ol style="list-style-type: none"> <li>1. Remplacez l'électrode.</li> <li>2. La pointe de l'électrode doit être dirigée vers l'orifice du port du brûleur. La distance doit être de 1/8" à 3/16". Ajustez si nécessaire.</li> <li>3. Nettoyez le fil et/ou l'électrode avec de l'alcool à friction et un écouvillon propre.</li> <li>4. Rebranchez les fils ou remplacez l'ensemble d'électrode/fil.</li> <li>5. Remplacez le fil de l'allumeur.</li> <li>6. Remplacez l'allumeur.</li> <li>7. Inspectez l'isolation des fils et la bonne connexion. Remplacez les fils si l'isolation est cassée.</li> </ol>
	<p>Problème avec le bouton d'allumage:</p> <ol style="list-style-type: none"> <li>1. Se agotó la pile del encendedor</li> <li>2. Vérifiez l'orientation de la pile</li> </ol> <p><b>REMARQUE:</b> Tenter d'allumer manuellement le brûleur avec une allumette. Si le brûleur s'allume, le bouton d'allumage fait défaut.</p>	<ol style="list-style-type: none"> <li>1. Remplacer la pile.</li> <li>2. Installez la pile (Vérifiez que les connecteurs « + » et « - » sont orientés correctement, avec l'extrémité « + » du couvercle.) Revissez le capuchon de l'allumeur et assurez-vous que les filets sont parfaitement alignés.</li> </ol>



Dépannage: Problème	Cause possible	Prévention/Solution
Le brûleur ne s'allume pas avec une allumette	1. Consultez «problèmes de gaz» à la page précédente. 2. Mauvaise méthode d'allumage à l'aide d'une allumette	Consultez la section «ALLUMAGE MANUEL DES BRÛLEURS AVEC UNE ALLUMETTE» pour l'instructions d'utilisation.
Chute soudaine du débit de gaz ou flamme faible	1. Accumulation de graisse. 2. Excès de graisse dans la viande. 3. Température de cuisson excessive	1. Nettoyez les brûleurs et l'intérieur du plaque de cuisson/de la chambre à feu. 2. Coupez le gras de la viande avant de la griddleer.
La flamme est éteinte	Vents forts ou en rafales/faible GPL gaz. La vanne d'excès de débit s'est déclenchée.	Tournez l'avant du plaque de cuisson pour faire face au vent ou augmentez la hauteur de la flamme. Remplissez le bouteille de gaz.
Feu de graisse persistant	Graisse emprisonnée par l'accumulation de nourriture autour du système de brûleur.	Mettez les boutons sur OFF. Coupez le gaz au bouteille de gaz. Une fois le plaque de cuisson refroidi, retirez et nettoyez toutes les pièces.
Retour en arrière... (feu dans le (s) tube (s) du brûleur)	Le brûleur et les tubes du brûleur sont bloqués.	Mettez les boutons sur OFF. Nettoyer le brûleur et/ou les tubes de brûleur. Reportez-vous à la section de nettoyage du brûleur sur l'entretien.
Flambées	1. Accumulation de graisse. 2. Excès de graisse dans la viande. 3. Température de cuisson excessive	1. Nettoyez les brûleurs et l'intérieur du plaque de cuisson/de la chambre à feu. 2. Coupez le gras de la viande avant de la griddleer. 3. Ajustez (abaissez) la température.
Impossible de remplir le bouteille de gaz	Certains revendeurs ont des buses de remplissage plus anciennes avec des filets usés.	Lorsque vous tournez des buses usées, elles n'ont pas assez de «morsure» pour engager la vanne. Essayez un autre revendeur de GPL.
Un brûleur ne s'allume pas à partir d'autres brûleurs	Accumulation de graisse ou particules alimentaires à l'extrémité du tube de transfert	Nettoyer le tube de transfert avec une brosse métallique.

**Si votre problème n'est pas résolu à l'aide des informations de dépannage ci-dessus, veuillez contacter votre revendeur local de gaz.**

**ATTENTION:** Si les brûleurs s'éteignent pendant l'utilisation, fermez l'alimentation en gaz à la source et fermez toutes les vannes de gaz. Attendez cinq minutes avant d'essayer de rallumer (cela permet aux vapeurs de gaz accumulées de se dissiper).

**ATTENTION:** En cas de feu de graisse, fermez l'alimentation en gaz à la source, éteignez tous les brûleurs jusqu'à ce que le feu soit éteint.

**ATTENTION:** N'essayez PAS de débrancher un raccord de gaz pendant que le plaque de cuisson est utilisé. Comme pour tous les appareils, des soins et des entretiens appropriés garantissent que votre plaque de cuisson est en parfait état de fonctionnement et prolongera sa durée de vie.

## CHALEUR DIRECTE

TABLEAU DE TEMPÉRATURE INTERNE DU BŒUF			
Degré de cuisine	Température interne au cœur	Description interne	Fermeté
Cru	125 °F	Le centre est rouge vif, rosâtre vers la partie extérieure et le steak est chaud partout	Doux au toucher
Saignant	130-135 °F	Le centre est très rose, légèrement brun vers la partie extérieure et le steak légèrement chaud	Ne cède que légèrement au toucher
À moitié cuit	140-145 °F	Le centre est rose clair, la partie extérieure est brune et le steak est chaude partout	Commence à se raffermir au toucher
À moitié cuit	150-155 °F	Surtout gris brunâtre avec un soupçon de rose au centre	Dur au toucher
Bien cuit	155 °F et plus	Le steak est gris brunâtre partout	Dur ou rigide au toucher
TABLEAU DE TEMPÉRATURE INTERNE DE LA VOLAILLE			
Poulet entier	165 °F	Cuire jusqu'à ce que le jus soit clair	Dur au toucher
Viande sombre	165 °F	Cuire jusqu'à ce que tout soit blanc mais encore humide	Dur au toucher
Poitrine de poulet	165 °F	Cuire jusqu'à ce que tout soit blanc mais encore humide	Dur au toucher
Cuisse, ailes et jambes	165 °F	Surtout gris brunâtre avec un soupçon de rose au centre	Dur au toucher
TABLEAU DE TEMPÉRATURE INTERNE DU PORC			
À moitié mûr	150 °F	Rose au centre	
Bien cuit	160 °F et plus	Le porc est uniformément blanc/brun partout	
Côtes de porc	180-200 °F	Blanc pâle. Cuire jusqu'à moyen à bien cuit	
Saucisse crue	160 °F	Non plus rose	
Saucisse (précuite)	140 °F	Non plus rose	

Merci d'avoir acheté ce Plaque de cuisson de gaz à 4 brûleurs avec couvercle rigide de Royal Gourmet®.

Royal Gourmet garantit que ses produits sont exempts de défauts de matériel et de fabrication pendant **un an** à partir de la date d'achat d'origine s'ils sont assemblés de la manière appropriée, utilisés normalement et entretenus de la façon recommandée. La garantie ne couvre pas la finition de peinture, car elle peut brûler au cours d'un usage normal. **La rouille n'est pas considérée comme un défaut de fabrication ou de matériaux.**

Pendant cinq ans à compter de la date d'achat, tout brûleur en acier inoxydable qui rouille sera remplacé gratuitement.

Durant la période de garantie déclarée, Royal Gourmet, à sa discrétion, remplacera gratuitement tout composant défectueux, le propriétaire étant responsable des frais de transport. Royal Gourmet se réserve le droit d'exiger que les pièces défectueuses soient retournées, en port et/ou en fret prépayé par le consommateur pour examen et examen. En cas de problèmes de disponibilité des pièces, Royal Gourmet se réserve le droit de remplacer des pièces similaires qui sont également fonctionnels. À l'expiration de la garantie, toute responsabilité et obligation en découlant cessera.

**Remarque:** Un reçu de vente daté avec le numéro de modèle et le numéro de série sera nécessaire pour le service de garantie.

Cette garantie limitée ne vous remboursera pas le coût des inconvénients, de la nourriture, des blessures corporelles ou des dommages matériels. Toute couverture de garantie est nulle si ce plaque de cuisson est utilisé à des fins commerciales ou de location. Cette garantie limitée s'applique **UNIQUEMENT** au fonctionnement du produit et ne couvre pas les rayures, les bosses, la corrosion ou la décoloration causées par la chaleur, les nettoyeurs abrasifs et chimiques, ou par les outils utilisés dans l'assemblage ou l'installation de l'appareil, l'oxydation du surfaces ou décoloration des surfaces en acier inoxydable.

### **CE QUI N'EST PAS COUVERT PAR LA GARANTIE**

Toutes défaillances ou difficultés au niveau du fonctionnement causées par un accident, l'abus, une mauvaise utilisation, une modification, une mauvaise application, le vandalisme, une mauvaise installation, l'entretien/le service incorrect, ou un manquement à fournir l'entretien régulier, y compris sans limitations les dommages causés par les insectes dans les brûleurs, tel qu'indiqué dans le guide de l'utilisateur.

La détérioration ou les dommages causés par les intempéries telles que la grêle, les ouragans, les tremblements de terre ou les tornades, la décoloration suite à l'exposition directe ou indirecte aux produits chimiques.

Coûts d'expédition ou de transport.

Coûts des appels de service.

Coûts d'enlèvement ou de réinstallation.

La collecte et la livraison de votre produit.

Coûts de main d'œuvre pour l'installation et les réparations.


Responsabilité pour les dommages indirects ou consécutifs.

Cette garantie limitée tient lieu de garantie unique offerte par Royal Gourmet et remplace toute autre garantie expresse ou implicite, y compris toute garantie implicite d'aptitude à la commercialisation ou d'adaptation à un usage particulier. Ni Royal Gourmet ni le détaillant qui vend ce produit ne sont autorisés à fournir des garanties ou à promettre quoi que ce soit qui dépasse ou qui contredit ce qui est énoncé ci-dessus.


La responsabilité maximale de Royal Gourmet, dans tous les cas, ne peut dépasser le prix d'achat de l'article payé par le consommateur ou l'acheteur d'origine. Certains États et certaines provinces ne permettent pas l'exclusion ni la limitation de dommages directs ou indirects. Par conséquent, les exclusions ou limitations indiquées ci-dessus peuvent ne pas vous être applicables.

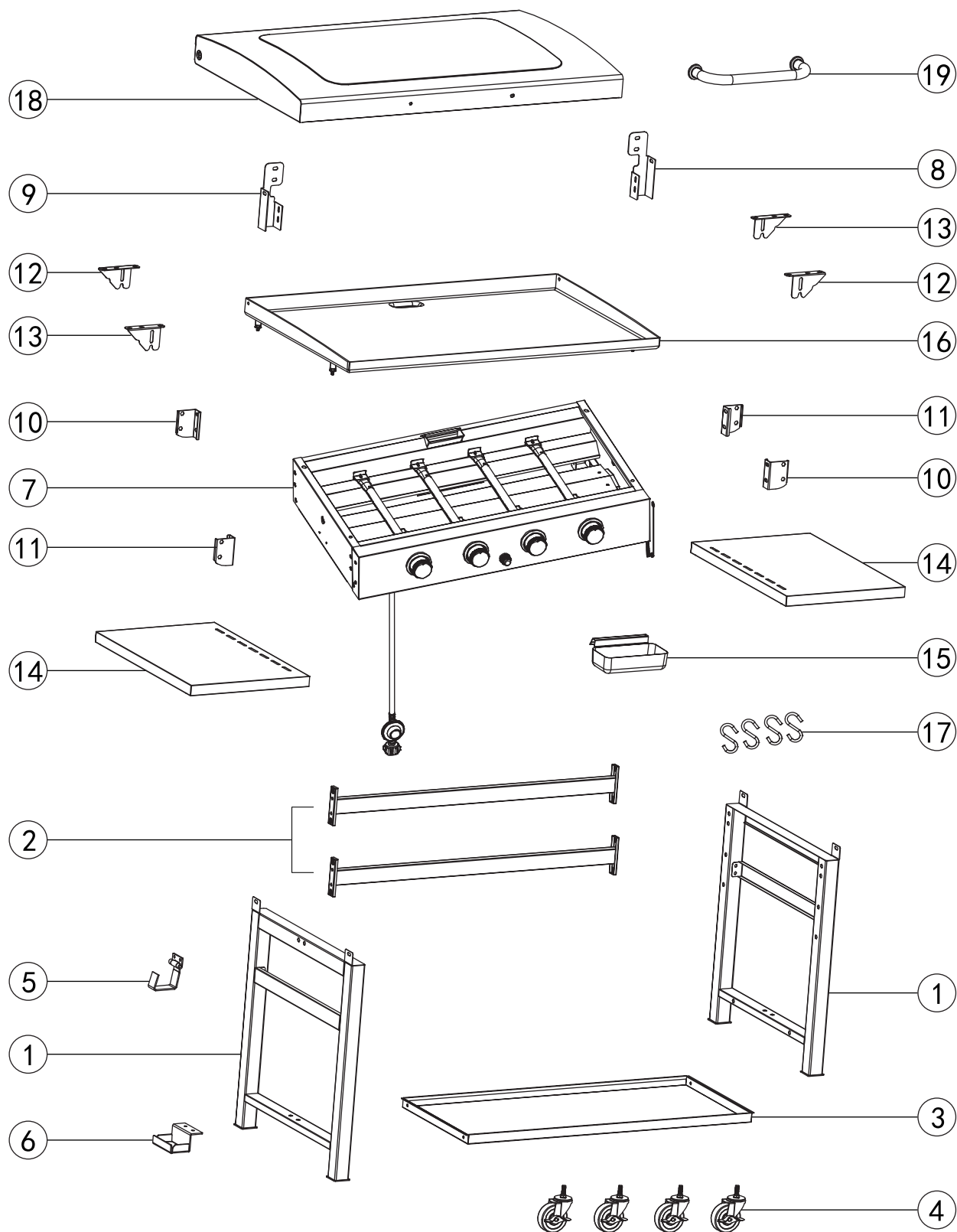
**Ne retournez aucune pièces sans avoir préalablement obtenu l'autorisation de retour de notre service clientèle.**

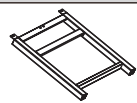








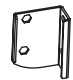
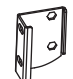


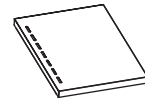



N'hésitez pas à contacter notre service de clientèle si vous avez des questions concernant l'assemblage, la garantie ou les accessoires. Nous serons heureux de vous proposer les pièces de rechange dont vous avez besoin pendant la période de garantie.

 1-800-618-6798

 [service@royalgourmetusa.com](mailto:service@royalgourmetusa.com)

 Du lundi au vendredi, de 8 h 30 à 17 h 00, HNE



No.	#	QYT / CANT. / QTÉ	Description / Descripción / Description	Image / Imagen / Image
1	GD19JJGZ03H	2	Leg assembly Conjunto de pata Assemblage du pied	
2	GD19JHL03H4B	2	Cart beam Puntal del carro Poutre de chariot	
3	GD19JDB01	1	Bottom shelf Estante inferior Étagère inférieure	
4	05-WXL-03	4	Caster Rueda Roulette	
5	07-QPG-01-BK	1	LP cylinder hook Gancho para bombona de gas Crochet de bouteille de gaz	
6	07-QPG-02-BK	1	LP cylinder base Base de la bomona de gas Base de bouteille de gaz	
7		1	Main body Cuerpo principal Corps principal	
8	GD19JLJJQP01R	1	Main body cart joint (R) Junta del carro del cuerpo principal (D) Joint de chariot du corps principal (D)	
9	GD19JLJJQP01L	1	Main body cart joint (L) Junta del carro del cuerpo principal (I) Joint de chariot du corps principal (G)	
10	GD19T2GDZJ01	2	Side table brace (L) Tirante de mesa lateral (I) Support de table d'appoint (G)	
11	GD19T2GDZJ02	2	Side table brace (R) Tirante de mesa lateral (D) Support de table d'appoint (D)	
12	TY-CTHDZJL01	2	Side table joint (L) Bisagra de mesa lateral (I) Joint de table d'appoint (G)	
13	TY-CTHDZJR01	2	Side table joint (R) Bisagra de mesa lateral (D) Joint de table d'appoint (D)	
14	GD19T2CT	2	Side table Mesa lateral Table d'appoint	
15	GD19LYB01H	1	Grease cup Recipiente de recogida de grasas Bac à graisse	
16	GD19P102H4B-HS	1	Cooking griddle Plancha superior Plaque de cuisson	
17	07-GGL-05-SI	4	"S" hook Gancho en forma de S Crochet en «S»	

No.	#	QYT / CANT. / QTÉ	Description / Descripción / Description	Image / Imagen / Image
18	GD19S1H4B-HS	1	Lid Tapa Couvercle	
19	04-GBS-2-25-300-DH	1	Lid handle Manija de la tapa Poignée du couvercle	

No.	#	Image / Imagen / Image	No.	#	Image / Imagen / Image
A	M6x12	x48	E	M6x35	x2
B	M6	x8	F	Stud with nut Espárrago con tuerca integrada Goujon avec écrou	x4
C	M6	x2	G	Washer Arandela Rondelle	x2
D	M6	x2	H	Wrench llave clé	x1

TOOLS REQUIRED / HERRAMIENTAS REQUERIDAS / OUTILS REQUIS	
Description / Descripción / Description	Image / Imagen / Image
Phillips screwdriver Destornillador phillips Tournevis phillips	Wrench Llave Clé

Before beginning assembly, make sure all parts are present. If any parts are missing or damaged, do not attempt to assemble the products. Contact customer service for replacement parts via telephone or email.


- Tools needed (not included): Phillips screwdriver and wrench
- Approximate assembly time: 40 minutes
- Note: 1. The right and left sides of the griddle are designed as if you are facing the front of the griddle.  
2. Model shown for illustration purpose only, specific please in kind prevail.

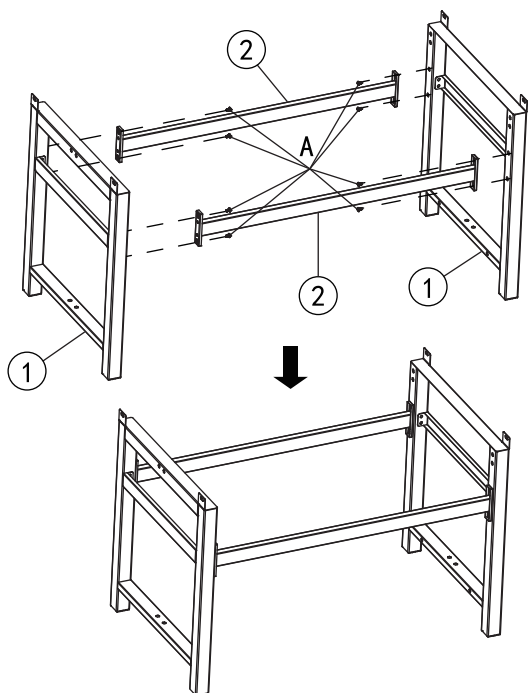
Antes de comenzar el montaje, asegúrese de que todas las piezas estén presentes. Si falta alguna pieza o está dañada, no intente ensamblar los productos. Póngase en contacto con el servicio de atención al cliente para obtener piezas de repuesto por teléfono o correo electrónico.


- Herramienta necesaria (no incluido): Destornillador phillips y llave
- Tiempo aproximado de ensamblaje: 40 minutos
- Nota: 1. Los lados derecho e izquierdo de la plancha están diseñados como si estuvieras frente a la parte delantera de la plancha.  
2. El modelo que se muestra es sólo para fines ilustrativos, prevalecen los específicos en especie.

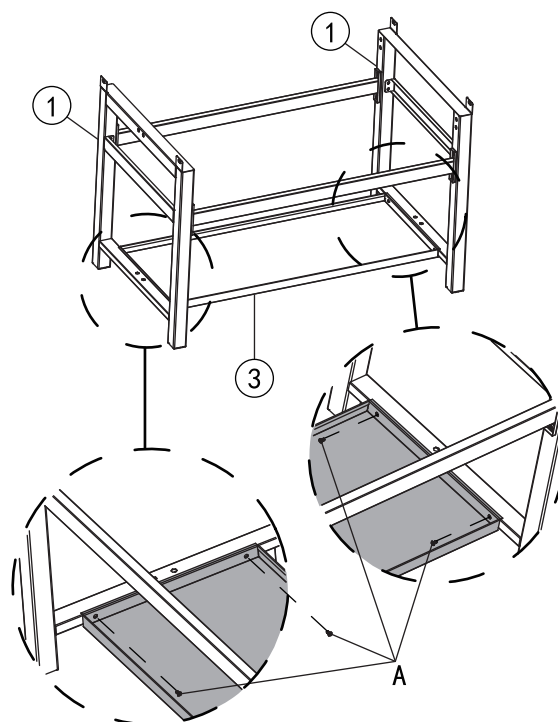
Avant de commencer l'assemblage, assurez-vous que toutes les pièces sont présentes. Si des pièces sont manquantes ou endommagées, n'essayez pas d'assembler les produits. Contactez le service de clientèle pour les pièces de rechange par téléphone ou par e-mail.

- Outils nécessaires (non inclus): Tournevis phillips et clé
- Temps nécessaire pour l'assemblage: 40 minutes
- Remarque: 1. Les côtés droit et gauche du plaque de cuisson sont conçus comme si vous faisiez face à l'avant du plaque de cuisson.  
2. Le modèle est présenté à des fins d'illustration uniquement, spécifiques en nature prévalent.

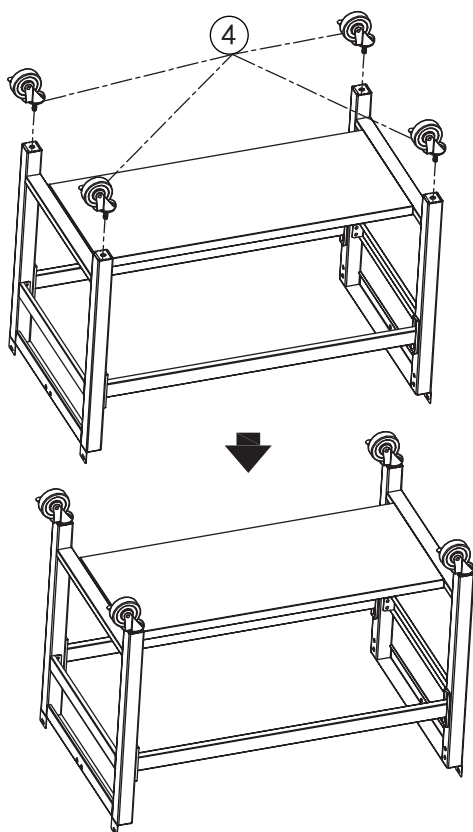
**1** A ⊕  ×8




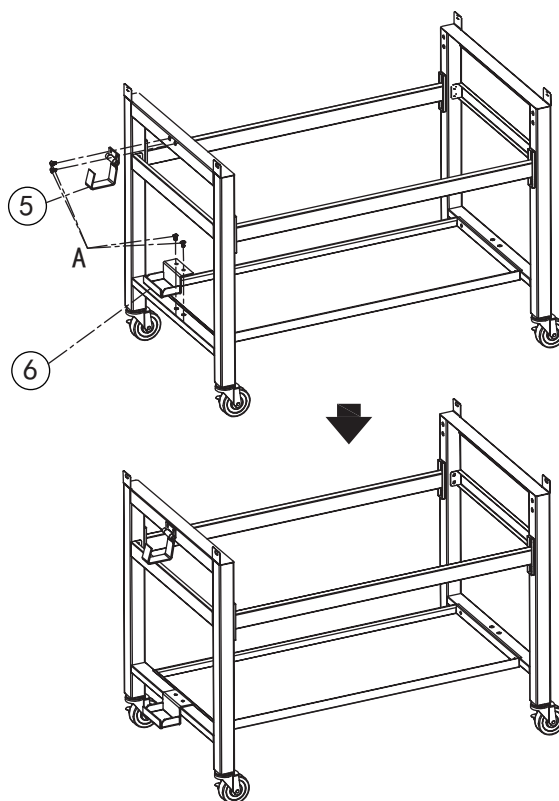
**2** A ⊕  ×4



**3**

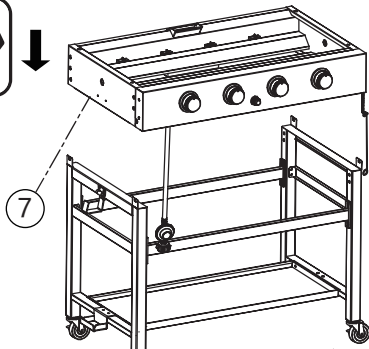


**4** A ⊕  ×4

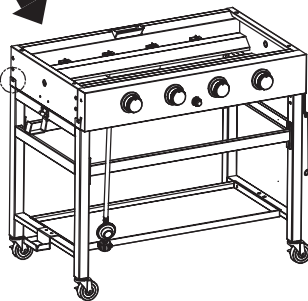


5

- Release regulator assembly & ignitor in advance.
- Libere el conjunto del regulador y lo encendedor por adelantado.
- Libérer l'ensemble du régulateur et le allumeur à l'avance.

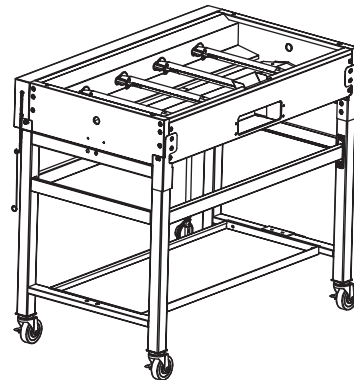
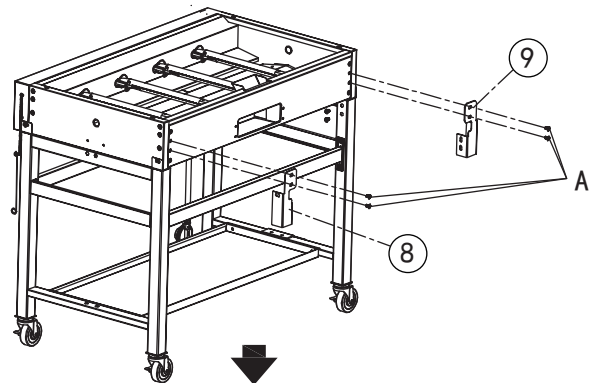


- Make sure the main body's backside is flush with the rear of leg assembly.
- Asegúrese de alinear detrás de la parte trasera del montaje de las patas.
- Assurez-vous que l'arrière du corps principal est aligné avec l'arrière de l'assemblage des pieds.



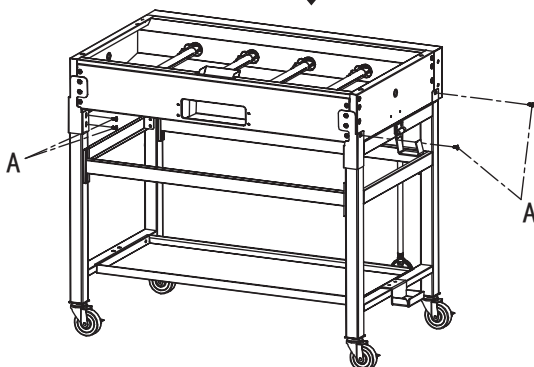
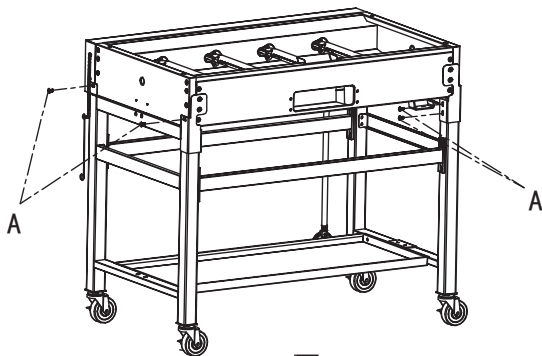
6

A  ×4



7

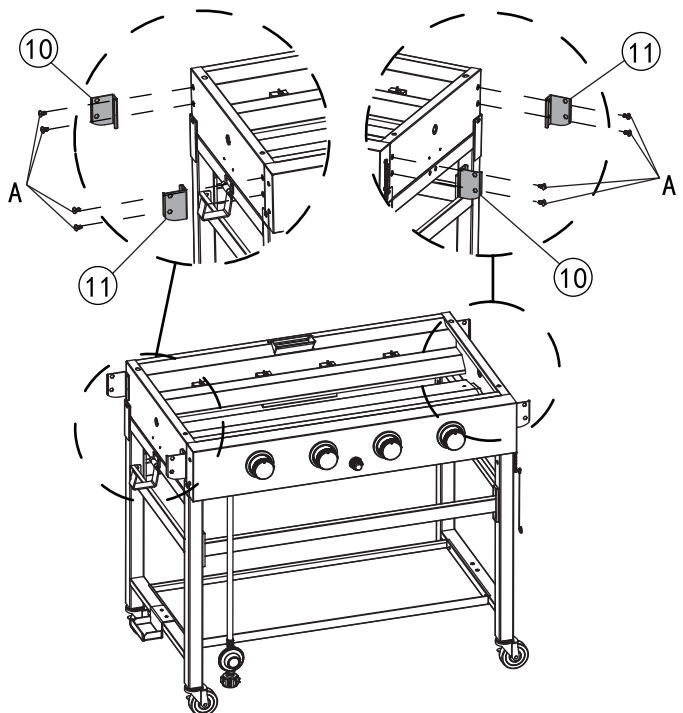
A  ×8




8

A  ×8

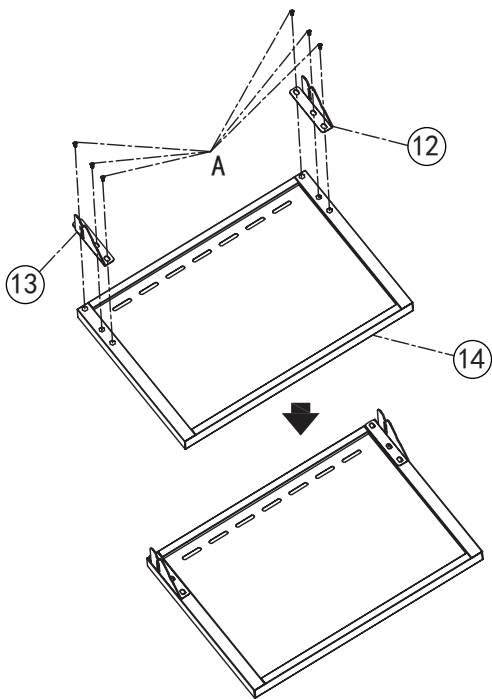
- Do not secure the bolts until step 9.
- No apretar las tornillos hasta el paso 9.
- Ne pas fixez les boulons avant l'étape 9.




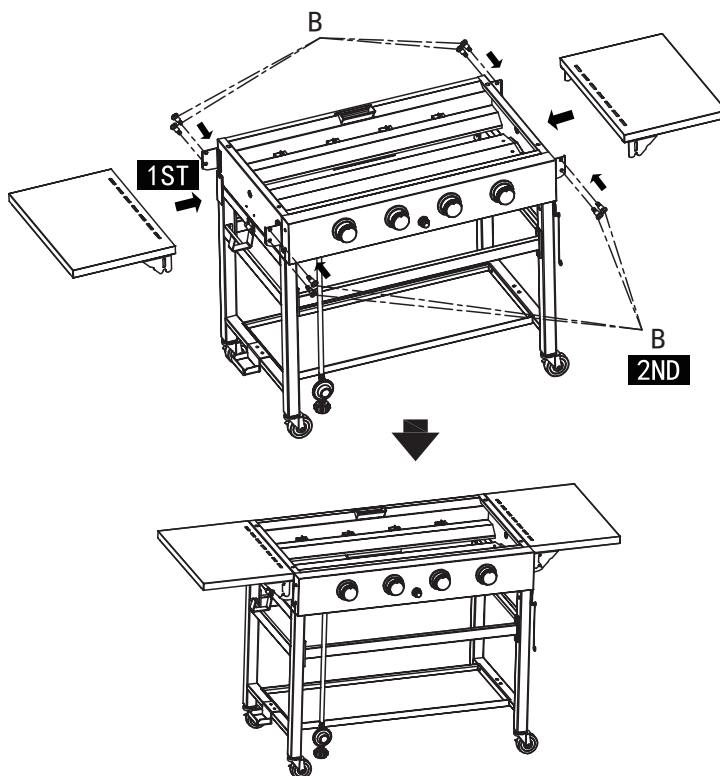


**9** A  ×12

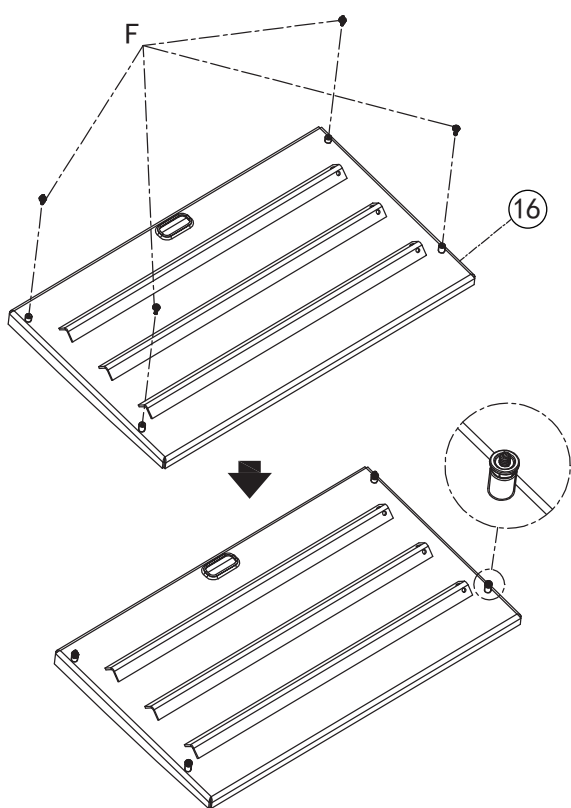
- Repeat for both side tables.
- Repita la operación con las dos mesas laterales.
- Répétez l'opération pour les deux tables d'appoint.



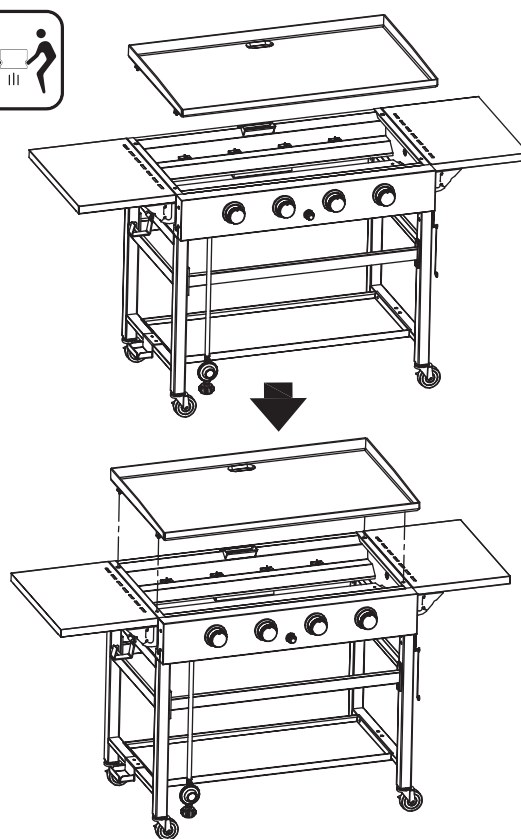
**10** B  ×8



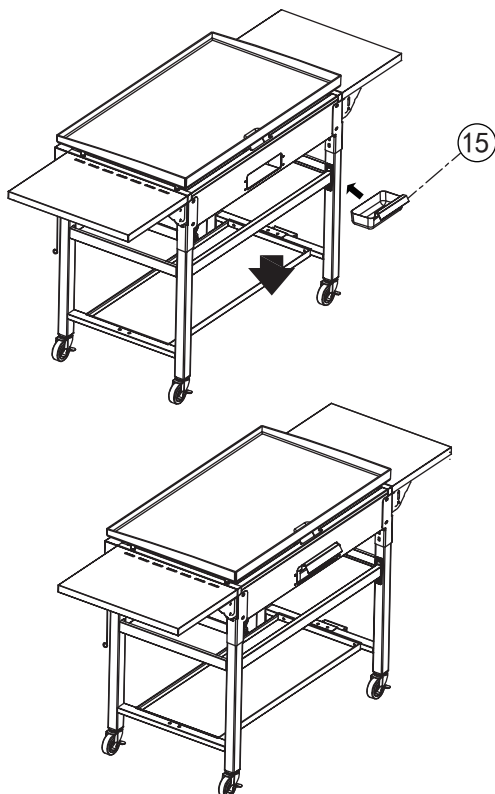
**11** F  ×4



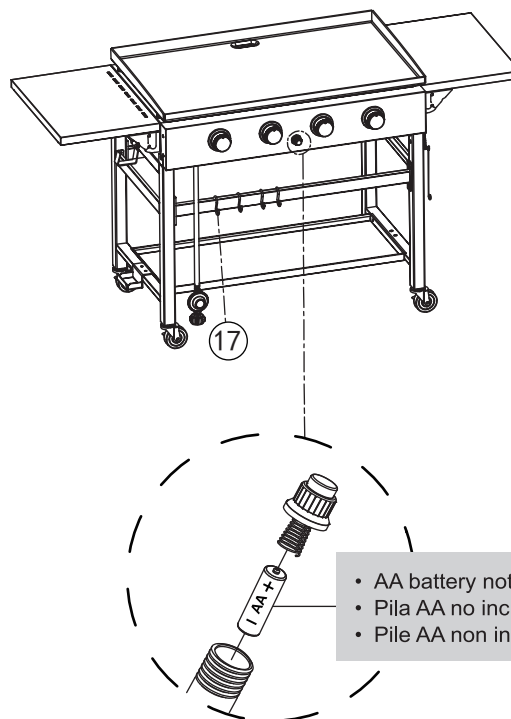
- 12**
- Adjust nuts to ensure the flatness of griddle.
  - Ajustar las tuercas asegurando la planitud de la plancha.
  - Ajustez les écrous pour assurer la planéité de la plaque.



13



14



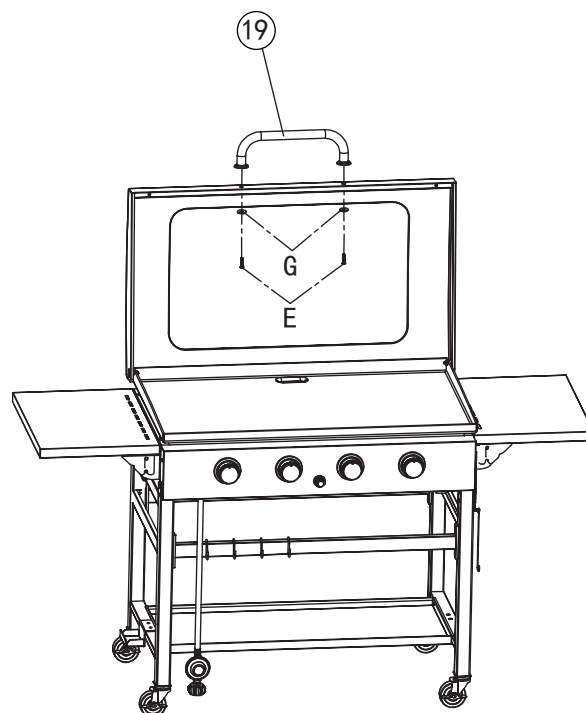
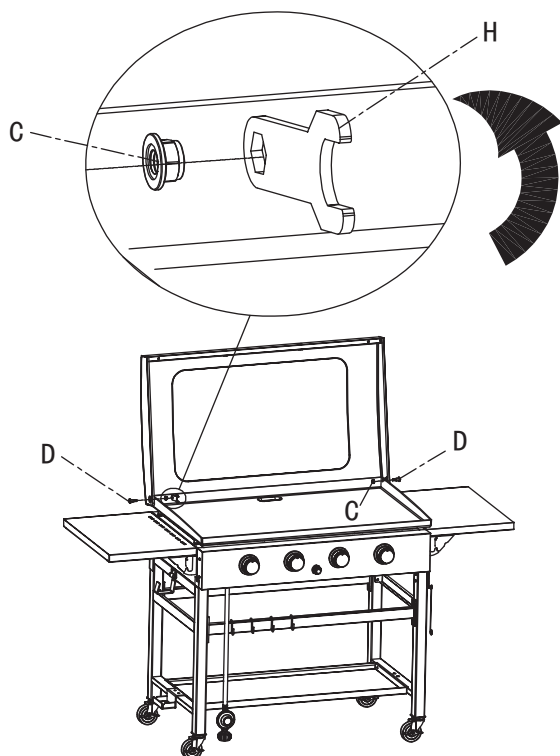
- AA battery not included.
- Pila AA no incluida.
- Pile AA non incluse.

15

D		x2	H		x1
C		x2			

16

G		x2
E		x2



**Thank You  
For Choosing Us.**

**Any Problem!  
We Can Help!**

**Customer  
Service**

**1-800-618-6798**

**Monday to Friday (8:30 am - 5:00 pm EST)**

**[service@royalgourmetusa.com](mailto:service@royalgourmetusa.com)**