

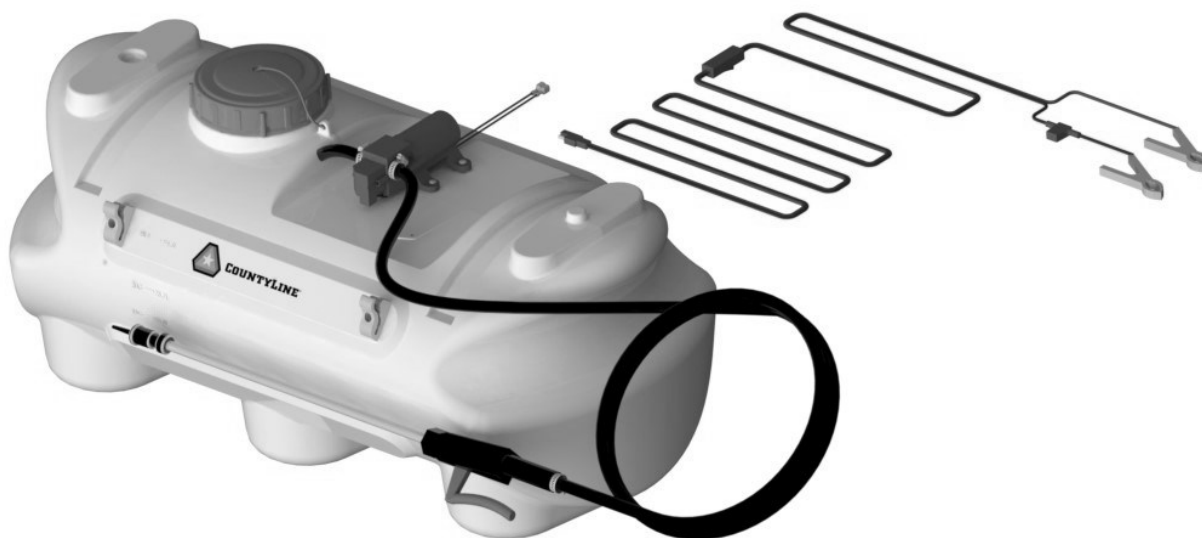
2475668



# COUNTYLINE<sup>®</sup>

## SPOT SPRAYER

**Model 25GALSS-CL**  
**25-Gallon**



**DO NOT RETURN TO THE STORE**

Please call **888-376-9601** or visit **www.tractorsupply.com** if you are missing any parts, having trouble assembling, or have any questions regarding the safe operation of this product.

Tractor Supply Company, 5401 Virginia Way Brentwood, TN 37027

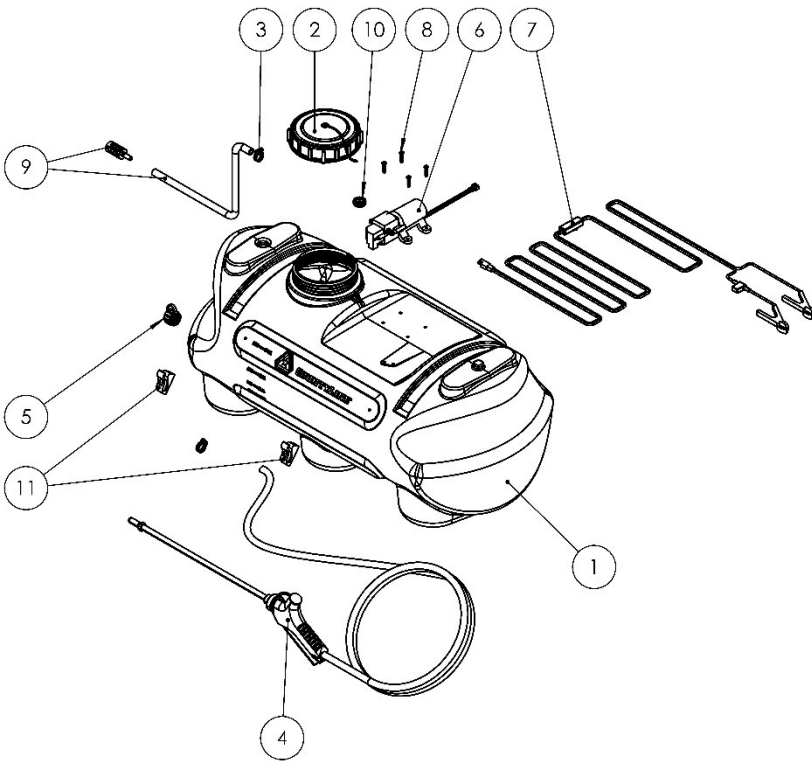
Due to our ongoing product improvement process, product specifications may change without notice.

Form No. 101163 (Rev. 10/24)

## Important Information

25GALSS-CL Sprayer has been engineered and customized to be the most reliable long lasting, spot sprayer in the market. Please read the manual before using your pump and sprayer. Safe operation and regular maintenance will ensure your sprayer works efficiently for years. Keep this manual in a convenient place for future references.

## Parts List Breakdown



ITEM #	PART #	DESCRIPTION	QT Y.
1	100037	MOLDED 25GAL STD TANK	1
2	101157	LID WITH TEATHER	1
3	100043	CLAMP	2
4	101146	GUN W 15' HOSE	1
5	100074	DRAIN CAP 3/4" FGHT	1
6	2200-201	PUMP, 1.0 GPM	1
7	101158	WIRE HARNESS 96"	1
8	101159	SCREW, 10-24, 3/4", ZINC, PHILIPS	4
9	100015	INTAKE FILTER W/ HOSE	1
10	3639	GROMMET 3/8"	1
11	3784	CLIPS	2

## Operation of the Spot Sprayer

When you are ready to spray, fill the tank halfway full with water. At this time take the spot sprayer gun and begin spraying. The pump has a pressure switch which shuts the pump off when it reaches 40PSI. Rotating the handgun's adjustable nozzle tip changes the tip pattern from a straight stream to a fine mist.

## Safe Operation

Always be aware of chemicals being used in sprayer for pump and sprayer compatibility. Refer to chemical Safety Data Sheets for safety information. Always wear proper PPE such as goggles, gloves and foot protection. Never spray flammable, caustic, acidic or other petroleum-based products. Do not leave tank in hot sun for extended periods. Heat can cause pressure build up resulting in unexpected release. Drain tank of any solutions after use and flush out entire system including tank, manifold and pump.

## After Spraying

Drain all remaining chemical mixture from tank. Fill the tank part way full with clean, clear water and allow the water to flow through the sprayer for approximately 60 seconds.

Refill the tank and use a chemical neutralizer and repeat. Refer to the chemical manufacturer's safe disposal instructions of excess chemicals. When the system is thoroughly cleaned, drain the tank, suction line, pump, hoses, etc.

Warning: Some chemicals will damage the pump valves and diaphragm if allowed to soak untreated for extended periods. Always flush pump after use.

## Pump Winterizing and Storage

1. Run fresh water through pump for 90 seconds to flush any residual chemicals from pump head.
2. Pump RV antifreeze through pump for 30 seconds.
3. Always store pumps indoors in a clean and dry environment. Preferably in a cabinet or closed storage area that is free of insects and airborne debris.
4. Store pump in climate-controlled environment above freezing temperature.
5. If in storage for longer than 3 months, turn pump on intermittently for 30 seconds. Periodically turning on pump prevents the grease in bearings from settling on one side and wear.

## Pump Information

2200 Series—1.0 GPM	Diaphragm: Santoprene
Pump Type: Demand	Ports: 3/8" Hose Barb
Flow: Up to 1 GPM	Power: 12 VDC
Valves: Viton	Self-Priming

## Pump Troubleshooting

### **My pump will not start:**

-Check all electrical connections, fuses, breakers, and wires powering the pump. If you are unsure about how to check

components, contact a qualified technician.

- Check wire leads, and connection located on the pressure switch.
- Test Pressure Switch
- Rectifier or Motor for open or ground circuit.

### **Pump will not prime:**

- Most common reason for pump not priming is an air leak in your system. From the suction side of your pump ensure that all O-rings are in place and all clamps are airtight. Ensure there are no holes in your hoses.
- Examine intake filter. If it becomes blocked with debris, clean it out or replace it.
- Remove hoses and check for clogs or obstructions by running water through.
- Increase suction hose size to slightly larger than the outlet or discharge side of pump.
- Check pump housing for cracks.

### **Pump leaks from pump head or switch:**

- Check for loose screws or bolts around pressure switch and pump head.
- Check for punctured or torn diaphragm.

## Warnings

-Do not use pump outside the parameters listed on the label.

-NEVER pump gasoline or other flammable liquids. Pump

head materials are designed for use with water-based products only. NEVER use with Petroleum based products.

-Do not use in an explosive environment. Arcing from the motor brushes, switch, or excessive heat from an improperly cycled motor may cause an explosion.

-Do not assume fluid compatibility. If the fluid is improperly matched to the pump head, internal damage may occur.

-Pump to be run between 32°F (0°C) and 115°F(46°C) environmental conditions. Maximum fluid temperature run through pump is 140°F(60°C).

-To prevent electrical shock, disconnect power before initiating any work. In case of a pump failure, the motor housing and/or pump fluid may carry high voltage to components normally considered safe. If uncertain, consult an electrician. Electrical wiring should only be done by a qualified electrician per Local and State Electrical Codes.

-Do not locate the pump motor near low temperature plastics or combustible material. The surface temperature of the motor may exceed 250°F.

-The installation of a 50-mesh strainer is necessary to prevent debris or foreign material from entering the pump and causing pump failure.

-The sprayer pump is designed for intermittent duty, but may run continuously if the motor temperature does not exceed the recommended limit.

-Do not use pump if damaged and not in working condition. Always inspect pump before use.

-Always assess work area for any hazard before using pump.

Always understand the hazard of any chemicals used in your pump. Proper personal protective equipment should be worn, and Safety Data Sheet read.

## Limited Warranty

This sprayer unit is guaranteed for one year to the original retail purchaser, from date of purchase, for all components excluding the metal boom if included with the unit, to be

free from defects in quality or workmanship. The pump is guaranteed for two years to the original retail purchaser, from date of purchase to be free from defects in quality or workmanship. Call 1-888-376-9601 for parts. This warranty covers home owner usage only, Commercial usage changes this warranty to 90 days for the sprayer and pump. This warranty does not cover damage caused by misuse, abuse, or alteration. Tractor Supply Co. will not be held liable for any losses due to neglectful operation, improper prep for storage or use of petroleum-based products such as gas, diesel, kerosine, etc. in the sprayer. This warranty is not transferable to subsequent owners.