

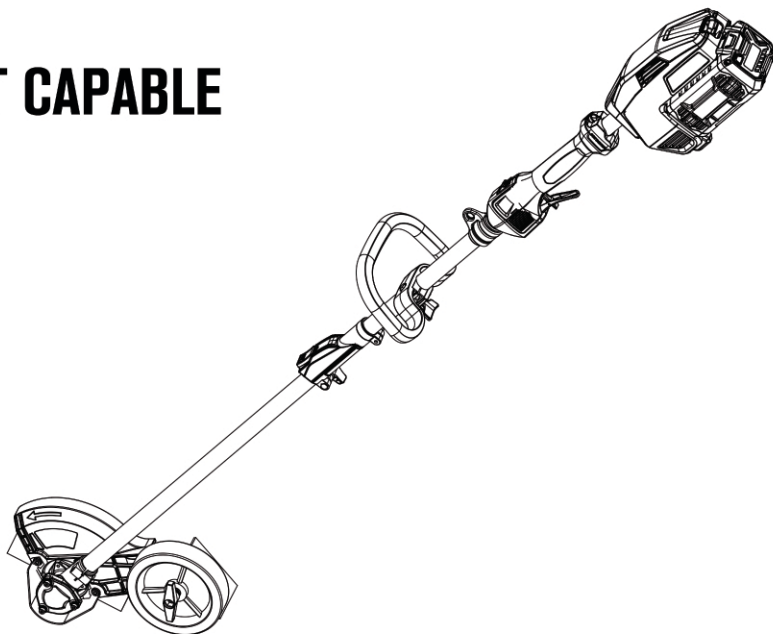
# PRORUN®

**60V** /// *Lithium-Ion*

## Operator's Manual

**CORDLESS  
ATTACHMENT CAPABLE  
EDGER**

**MODEL: PMC160E**



Before charging, read the instructions.

**⚠ IMPORTANT - READ CAREFULLY BEFORE USE**

**⚠ IMPORTANT SAFETY INSTRUCTIONS - SAVE THESE INSTRUCTIONS**



**WARNING:** To reduce the risk of injury, the user must read and understand the Operator's Manual before using this product. Save these instructions for future reference.

Please let us know what you think.  
To leave a review and see our full line of products, visit:

**proruntech.com** ★ ★ ★ ★ ★  
1-844-905-0882, [info@proruntech.com](mailto:info@proruntech.com)

Version: A - Issue Date: 2024/01/01

## TABLE OF CONTENTS

---

1.GENERAL MACHINE SAFETY WARNINGS	1
2.SAFETY INSTRUCTIONS FOR STRING TRIMMER	4
3.TRANSPORTING AND STORAGE	5
4.BATTERY AND BATTERY CHARGER	6
5.SYMBOLS	9
6.SPECIFICATIONS	11
7.KNOW YOUR MACHINE	12
8.BATTERY AND CHARGER OPERATION	13
9.ASSEMBLY INSTRUCTIONS	15
10.OPERATION	17
11.MAINTENANCE AND REPAIR	20
12.TRANSPORTING, CLEANING, AND STORING	21
13.TROUBLESHOOTING	22
14.DISPOSAL	22
15.EXPLODED VIEW	23

# 1. General machine safety warnings

**⚠ WARNING** Read all safety warnings, instructions, illustrations and specifications provided with this machine. *Failure to follow the warnings and instructions may result in electric shock, fire, and/or serious injuries.*

**Save all warnings and instructions for future reference.**

*The term “machine” in all of the warnings listed below refers to your battery operated (cordless) machine.*

## ● Work area safety

**a) Keep work area clean and well lit.** *Cluttered or dark areas invite accidents.*

**b) Do not operate machines in explosive atmospheres, such as in the presence of flammable liquids, gases or dust.** *Machines create sparks which may ignite the dust or fumes.*

**c) Keep children and bystanders away while operating a machine.** *Distractions can cause you to lose control.*

## ● Electrical safety

**a) Avoid body contact with earthed or grounded surfaces such as pipes, radiators, ranges and refrigerators.** *There is an increased risk of electric shock if your body is earthed or grounded.*

**b) Do not expose machines to rain or wet conditions.** *Water entering a machine will increase the risk of electric shock.*

**c) Do not abuse the cord. Never use the cord for carrying.** *Keep cord away from heat, oil, sharp edges or moving parts. Damaged or entangled cords increase the risk of electric shock.*

## ● Personal safety

**a) Stay alert, watch what you are doing and use common sense when operating a machine. Do not use a machine while you are tired or under the influence of drugs, alcohol or medication.** *A moment of inattention while operating machines may result in serious personal injury.*

**b) Use personal protective equipment. Always wear eye protection.** *Protective equipment such as dust mask, non-skid safety shoes, hard hat, or hearing protection used for appropriate conditions will reduce personal injuries.*

**c) Prevent unintentional starting. Ensure the switch is in the off-position before connecting to power source and/or battery pack, picking up or carrying the machine.** *Carrying machines with your finger on the switch or energizing machines that have the switch on invites accidents.*

**d) Remove any adjusting key or wrench before turning the machine on.** *A wrench or a key left attached to a rotating part of*

*machine may result in personal injury.*

**e) Do not overreach. Keep proper footing and balance at all times.** *This enables better control of the machine in unexpected situations.*

**f) Dress properly. Do not wear loose clothing or jewelry. Keep your hair, clothing and gloves away from moving parts.** *Loose clothes, jewelry, or long hair can be caught in moving parts.*

**g) If devices are provided for the connection of dust extraction and collection facilities, ensure these are connected and properly used.** *Use of these devices can reduce dust-related hazards.*

**h) Do not let familiarity gained from frequent use of tools allow you to become complacent and ignore tool safety principles.** *A careless action can cause severe injury within a fraction of a second.*

### ● **Machine use and care**

**a) Do not force the machine. Use the correct machine for your application.** *The correct machine will do the job better and safer at the rate for which it was designed.*

**b) Do not use the machine if the switch does not turn it on and off.** *Any machine that cannot be controlled with the switch is dangerous and must be repaired.*

**c) Remove the battery pack from the machine before making any adjustments, changing accessories, or storing machines.** *Such preventive safety measures reduce the risk of starting the power tool accidentally.*

**d) Store idle machines out of the reach of children and do not allow persons unfamiliar with the machine or these instructions to operate the machine.** *Machines are dangerous in the hands of untrained users.*

**e) Maintain machines and accessories. Check for misalignment or binding of moving parts, breakage of parts and any other condition that may affect the machine's operation. If damaged, have the machine repaired before use.** *Many accidents are caused by poorly maintained machines.*

**f) Keep cutting tools sharp and clean.** *Properly maintained cutting tools with sharp cutting edges are less likely to bind and are easier to control.*

**g) Use the machine, accessories and tool bits etc. in accordance with these instructions, taking into account the working conditions and the work to be performed.** *Use of the machine for operations different from those intended could result in a hazardous situation.*

**h) Keep handles and grasping surfaces dry, clean and free**

**from oil and grease.** *Slippery handles and grasping surfaces do not allow for safe handling and control of the tool in unexpected situations.*

● **Battery tool use and care**

**a) Recharge only with the charger specified by the manufacturer.** *A charger that is suitable for one type of battery pack may create a risk of fire when used with another battery pack.*

**b) Use machines only with specifically designated battery packs.** *Use of any other battery packs may create a risk of injury and fire.*

**c) When battery pack is not in use, keep it away from other metal objects, like paper clips, coins, keys, nails, screws, or other small metal objects, that can make a connection from one terminal to another.** *Shorting the battery terminals together may cause burns or a fire.*

**d) Under abusive conditions, liquid may be ejected from the battery; avoid contact. If contact accidentally occurs, flush with water. If liquid contacts eyes, additionally seek medical help.** *Liquid ejected from the battery may cause irritation or burns.*

**e) Do not use a battery pack or tool that is damaged or modified.** *Damaged or modified batteries may exhibit unpredictable behavior resulting in fire, explosion, or risk of injury.*

**f) Do not expose a battery pack or tool to fire or excessive temperature.** *Exposure to fire or temperature above 212°F (100°C) may cause explosion.*

**g) Follow all charging instructions and do not charge the battery pack or tool outside the temperature range specified in the instructions.** *Charging improperly or at temperatures outside the specified range may damage the battery and increase the risk of fire.*

● **Service**

**a) Contact PRORUN Customer Service with questions or issues with this machine.** *This will ensure that the safety of the power tool is maintained.*

**b) Never service damaged battery packs.** *Service of battery packs should only be performed by the manufacturer or authorized*

## 2. SAFETY INSTRUCTIONS FOR EDGER

- a) **Do not use the machine in bad weather conditions, especially when there is a risk of lightning.** *This decreases the risk of being struck by lightning.*
- b) **Thoroughly inspect the area for wildlife where the machine is to be used.** *Wildlife may be injured by the machine during operation.*
- c) **Thoroughly inspect the area where the machine is to be used and remove all stones, sticks, wires, bones, and other foreign objects.** *Thrown objects can cause personal injury.*
- d) **Before using the machine, always visually inspect to see that the cutter and the cutter assembly are not damaged.** *Damaged parts increase the risk of injury.*
- e) **Check the grass guard frequently for wear or deterioration.** *A worn or damaged grass guard may increase the risk of personal injury.*
- f) **Keep guards in place. Guards must be in working order and be properly mounted.** *A guard that is loose, damaged, or is not functioning correctly may result in personal injury.*
- g) **Keep all cooling air inlets clear of debris.** *Blocked air inlets and debris may result in overheating or risk of fire.*
- h) **Wear eye protection and ear protection.** *Adequate protective equipment will reduce personal injury.*
- i) **While operating the machine, always wear non-slip and protective footwear. Do not operate the machine when barefoot or wearing open sandals.** *This reduces the chance of injury to the feet from contact with the moving cutter.*
- j) **Always wear clothing such as trousers that covers the operator's legs while operating the machine.** *Contact with the moving cutter or line may cause injury.*
- k) **Keep bystanders away while operating the machine.** *Thrown debris can result in serious personal injury.*
- l) **Do not operate the machine above waist height.** *This helps prevent unintended cutter contact and enables better control of the machine in unexpected situations.*
- m) **Exercise caution when operating the machine in wet grass. Walk, never run.** *This reduces the risk of slipping and falling which may result in personal injury.*
- n) **Do not operate the machine on excessively steep slopes.** *This reduces the risk of loss of control, slipping and falling which may result in personal injury.*
- o) **When working on slopes, always be sure of your footing, always work across the face of slopes, never up or down and exercise extreme caution when changing direction.** *This reduces*

*the risk of loss of control, slipping and falling which may result in personal injury.*

**p) Keep all power cords and cables away from cutting area.** *Power cords or cables may be hidden in hedges or bushes and can be accidentally cut or damaged by the line or cutter.*

**q) Keep all parts of the body away from the moving edger cutter blade. Do not clear material from the machine until it has been disconnected from the power source.** *The moving edger cutter blade may result in serious personal injury.*

**r) Keep all parts of the body away from the moving edger cutter blade. Do not clear material from the machine until it has been disconnected from the power source.** *The moving edger blade may result in serious personal injury.*

**s) Carry the machine with the machine switched off and away from your body.** *Proper handling of the machine will reduce the likelihood of accidental contact with a moving edger blade*

**t) Only use replacement edger blades or guards specified by the manufacturer.** *Incorrect replacement parts may cause loss of control, breakage and injury.*

### **3. TRANSPORTING AND STORAGE**

**a) Unintentional starting may result in personal injury or property damage.** *Remove the battery before inspecting the string trimmer or carrying out any cleaning, maintenance, repair work, before storing, and any other time the string trimmer is not in use.*

**b) Improper storage can result in unauthorized use, damage to the machine, battery, and charger or an increased risk of fire, electric shock, and other personal injuries or property damage.**

- Store the machine, battery, and charger indoors in a dry, secure place out of reach of children and other unauthorized users.
- Before storing, always unplug the charger from the wall outlet and remove the battery.

## 4. BATTERY AND BATTERY CHARGER

This section describes the battery and battery charger safety for your battery product.

Only use original batteries for products and only charge them in an original battery charger.

### ● Battery charger

**The battery chargers are only used for charging of PRORUN® 60V replacement batteries.**

– This manual contains important safety and operating instructions for battery charger.

– Before using battery charger, read all instructions and cautionary markings on battery charger, and product using battery.

**⚠ CAUTION! Charge only Li-ion batteries recommended by the manufacturer.**

– Other types of batteries may burst causing personal injury and damage.

– If the shape of the plug does not fit the power outlet, use an attachment plug adapter of the proper configuration for the power outlet.

**⚠ WARNING! Minimize the risk of electric shock or short circuit as follows:**

– Never insert any object into the charger's cooling slots. Do not try to dismantle the battery charger.

– Never connect the charger terminals to metal objects as this can short circuit the battery charger.

– Use approved and intact wall sockets.

**⚠ WARNING! This machine produces an electromagnetic field during operation. This field may under some circumstances interfere with active or passive medical implants. To reduce the risk of serious or fatal injury, we recommend persons with medical implants consult their physician and the medical implant manufacturer before operating this machine. Do not use product when a thunderstorm is approaching.**

– Unplug the charger from the wall outlet before inspecting or cleaning the charger.

– Regularly check that the battery charger connection wire is intact and that there are no cracks in it. Replace the charger if the power supply cord becomes worn or damaged. The power supply cord cannot be repaired or replaced.

– Never carry the battery charger using the cord and never pull out the plug by pulling the cord.



- Regularly check that the battery charger connection wire is intact
- Keep all cords and extension cords away from water, oil, and sharp edges. Make sure the cord is not pinched in doors, fences, or the like. Otherwise, it can cause the object to become live.
- Never clean the battery or the battery charger with water,
- Never allow children to use the battery charger.
- When charging, the charger must be placed in a well-ventilated area under a roof to keep dry.

**⚠ WARNING! Do not charge non-rechargeable batteries in the battery charger or use them in the machine.**

**⚠ WARNING! Do not use the battery charger close to corrosive or flammable materials. Do not cover the battery charger. Pull out the plug to the battery charger in the event of smoke or fire.**

- Use the battery charger only when the surround temperatures is between 41 °F (5 °C) and 113 °F (45 °C).

Use the charger in an environment which is well-ventilated, dry, and free from dust.

**Do not use:**

- A faulty or damaged battery charger.
- The battery in the battery charger outdoors.

**Do not charge:**





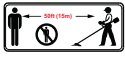









- Or never use faulty, damaged, or deformed battery.
- The battery in the rain or in wet conditions.
- The battery in direct sunlight.
- The battery in the battery charger outdoors.




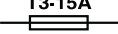


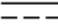
## ● Battery

- Do not dismantle, open or shred secondary batteries.
- Keep batteries out of the reach of children.
- Do not expose batteries to heat or fire. Avoid storage in direct sunlight.
- Do not short-circuit a battery. Do not store batteries haphazardly in a box or drawer where they may short-circuit each other or be short-circuited by other metal objects.
- Do not remove a battery from its original packaging until required for use.
- Do not subject batteries to mechanical shock.
- In the event of a cell leaking, do not allow the liquid to come in contact with the skin or eyes. If contact has been made, wash the affected area with copious amounts of water and seek medical advice.
- Do not use any charger other than that specifically provided for use with the equipment.
- Do not use any battery which is not designed for use with the equipment.
- Always purchase the battery recommended by the device manufacturer for the equipment.
- Keep batteries clean and dry.
- Wipe the battery terminals with a clean dry cloth if they become dirty.
- Secondary batteries need to be charged before each use. Always use the correct charger and refer to the manufacturer's instructions or equipment manual for proper charging instructions.
- Do not leave a battery on prolonged charge when not in use.
- After extended periods of storage, it may be necessary to charge and discharge the batteries several times to obtain maximum performance.
- Retain the original product literature for future reference.
- Use the battery only in the application for which it was intended. When possible, remove the battery from the equipment when not in use.
- Dispose of properly.

## 5. SYMBOLS


This page depicts and describes safety symbols that may appear on this product. Read, understand, and follow all instructions on the machine before attempting to assemble and operate it.

	Safety Alert	Because a chain saw is a high-speed cutting tool, special safety precautions must be observed to reduce the risk of personal injury.
	Read the User's Manual	It is important that you read, fully understand and observe the following safety precautions and warnings. Read the instruction manual and the safety precautions periodically.
	Do not expose to rain	Protect the tool, battery and charger from rain, water, liquids and damp conditions. Keep the tool, battery and charger dry.
	Beware of thrown objects	Watch out for thrown objects and ricochets to reduce the risk of serious or fatal injury to the operator or bystanders.
	Keep bystanders away	The distance between the machine and bystanders shall be at least 50 feet (15 m).
	Wear eye, ear and head protection	To reduce the risk of injury to you, always wear safety goggles or safety glasses, sound barriers and safety helmet when operating this product.
	Wear protective gloves	Always wear heavy duty nonslip gloves when handling the machine.
	Wear safety footwear	Wear sturdy boots with nonslip soles. Never wear sandals, flip-flops or go barefoot.
	Beware of blade thrust	Do not bring the appliance in contact with any solid objects! The appliance can be slung away.
	Remove the battery	Disconnect or remove the battery before cleaning or maintenance.
	Never expose to fire	Risk of fire, explosion and/or burns, including chemical burns. Never incinerate or place the battery on or near fires, stoves or other high-temperature locations.
	Never heat the battery	Do not disassemble, crush, heat above 212°F (100°C). Never expose the battery to high pressures.
	Never immerse in water	To reduce the risk of personal injury or property damage from a short circuit, fire or explosion. Never immerse the battery in water or other liquids.
	Recycling	Take the machine, charger, accessories and packaging to an approved disposal site for environmentally friendly recycling.

	Waste	Symbols on the product or its packaging indicate that this product cannot be handled as domestic waste. This product must be deposited at an appropriate recycling facility.
	Indoor use only	Use and store charger only indoors in dry rooms.
	Class II tool	Battery charger is belong to Class II tools. It intended for charging Li-ion batteries, and having an output at safety extra-low voltage.
	Fuse	T3.15A time-lag miniature fuse-link
	Alternating Current	Type of current
	Lithium-ion battery	Type of battery
	Direct Current	Type of characteristic of current

This below units may be used in manual:

V	Volts	Voltage
A	Amperes	Current
Hz	Hertz	Frequency(cycles per second)
W	Watts	Power
min	Minutes	Time
mm	Millimeter	Length or size
in.	Inch	Length or size
Kg	Kilogram	Weight
lb	Pound	Weight
RPM	Revolutions per minute	Rotational speed

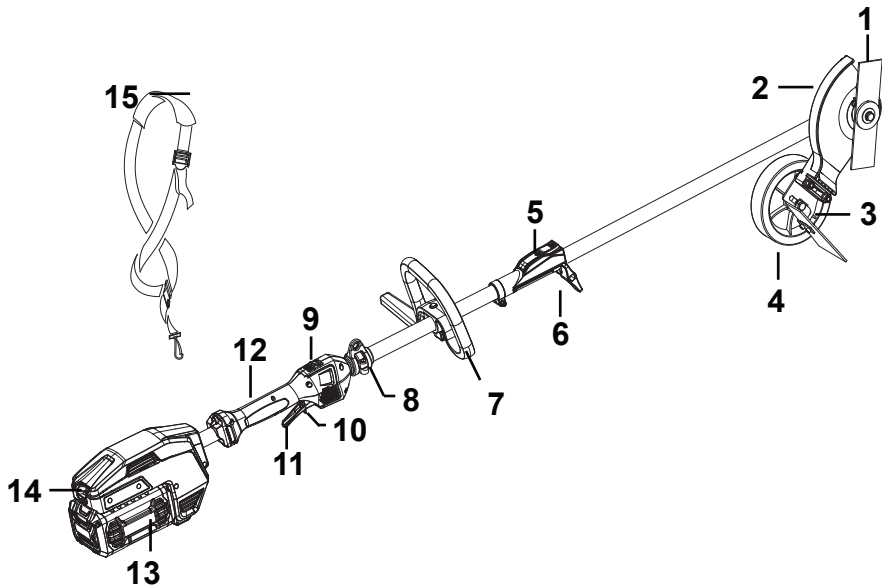
 **DANGER!** People with electronic devices, such as pacemakers, should consult their physician(s) before using this product. Operation of electrical equipment in close proximity to a heart pacemaker could cause interference or failure of the pacemaker.

## 6. SPECIFICATIONS

Machine model	PMC160E
Voltage	DC 60V
Motor type	BLDC
Maximum speed of output shaft	3150 RPM (high), 2350 RPM (low)
Weight (without battery)	12.65 lb (5.74 Kg)
Cutting swath	17 in (430 mm)
Sound pressure level $L_{pA}$ according to IEC 62841-4-1	85.1 dB(A)
Sound power level $L_{wA}$ according to IEC 62841-4-1	93.1 dB(A)
The noise uncertainties values	K = 3.0 dB(A)
Vibration according to IEC 62841-4-1*	Front handle: 2.57 m/s <sup>2</sup> Rear handle: 2.44 m/s <sup>2</sup>
The vibration uncertainties value	K=1.5 m/s <sup>2</sup>
Battery charger	PC16026
Charger Input	AC 100-240 V, 50/60 Hz, 170 W
Charger Output	DC 62.4 V, 2.6 A
Battery	PB16025
Battery rated parameter	DC 54 V, 2.5Ah

The declared vibration total value has been measured in accordance with a standard test method and may be used for comparing one tool with another. The declared vibration total value may also be used in a preliminary assessment of exposure. The vibration emission during actual use of the power tool can differ from the declared total value depending on the ways in which the tool is used.

## 7. KNOW YOUR MACHINE



1. Cutting blade

2. Guard

3. Cutting depth adjuster

4. Cutting depth wheel

5. Lock Pin

6. Lock knob

7. Front handle & barrier bar

8. Suspension ring

9. Speed switch

10. Trigger lock out

11. Variable speed switch trigger

12. Rear handle

13. Battery

14. Battery release button

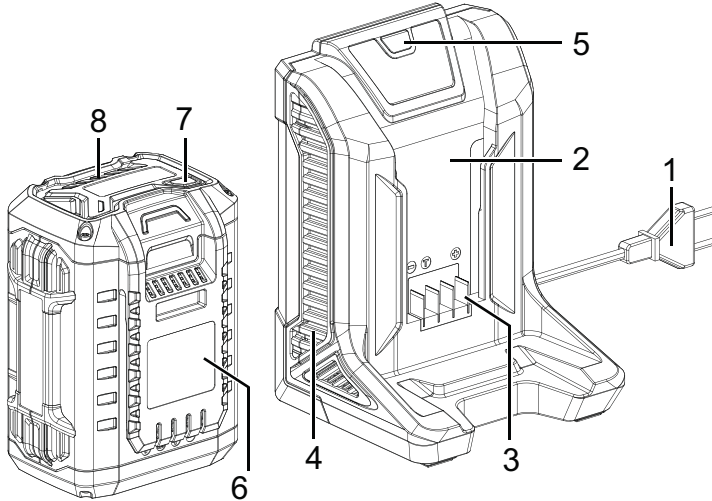
15. Harness

**IMPORTANT!** The safe use of this product requires an understanding of the information located on the product and in this operator's manual, as well as a knowledge of the projects you are attempting. Before use of this product, familiarize yourself with all operating features and safety rules.

## 8. BATTERY AND CHARGER OPERATION

This section describes the battery and battery charger safety for your battery product.

Only use PRORUN original batteries for PRORUN products and only charge them in an original battery charger from PRORUN. The batteries are software encrypted.



- 1. Electric plug
- 2. Battery charger
- 3. Electrical terminal
- 4. Cooling slots
- 5. Charger LED light
- 6. Battery
- 7. Electric charge status button
- 8. 5 LED charge status indicator

**NOTE!** The specifications of the plugs can be different by country, the picture is only for reference. If the shape of the plug does not fit the power outlet, use an attachment plug adapter of the proper configuration for the power outlet

**⚠ WARNING! Risk of electric shock and short circuiting.** Use approved and intact wall sockets. Make sure that the power cord is not damaged. Replace power cord if it appears to be damaged in any way.

### ● Connect the battery charger

This entire section should match string trimmer manual:

Connect the battery charger (3) to the voltage and frequency specified on the rating plate.

- Put the electric plug (1) in an earthed or grounded socket-outlet.
- The charging indication LED (5) will shine green indicating that the charger is working correctly.
- After 5 second, the light will turn off if no battery in the charger.

### ● Connect the battery to the battery charger

The battery must be charged before using it the first time. The battery is only 30% charged when delivered.

**NOTE!** Monitor the charging process while charging a battery. It is recommended to remove the battery from the battery charger when the battery is full charged, or the charger is disconnected from the power supply.

- Align the raised ribs of the battery pack with the mounting slots in the charger, slide the battery pack down onto the charger and engage the battery with the charger's electrical terminals.
- The charger will communicate with the battery pack to evaluate the condition of the battery pack.
- While the battery pack is charging, the charger's indication LED will shine as follows to indicate the

charging process and levels:



The charging LED light always flashes green when the battery is charging.



The charging LED light shines consistently green if the battery is fully charged.



The battery will not be charged if the battery temperature is deviation from normal. In that case the fault LED light flashes red until the battery cool down or heat to normal temperature.



NOTE: The battery will never be charged if the battery is damaged. In that case, the charger LED light shines consistently RED.

- The five LEDs on the battery pack indicate the current charged power level. Press the battery's electric energy button to check the power lever of the battery.
- When the battery is full charged, the battery charger will stop charging (switch to stand by).
- It is recommended to remove the battery from the battery charger when the battery is fully charged, or the charger is disconnected from the power supply.
- Pull out the plug. Never use the power supply cable to disconnect the charger from the wall socket.

### Maintenance

- Make sure the battery and battery charger are clean and that the terminals on the battery and the battery charger are always clean and dry before the battery is placed in the battery charger.
- Keep the battery guide tracks clean. Clean plastic parts with a clean and dry cloth.

### Transport and storage

- Store the equipment in a lockable area so that it is out of reach of children and unauthorized persons.
- Store the battery and the battery charger in a dry, moisture-free and frost-free space.

sunlight.

- Store the battery charger only in an enclosed and dry space.
- Be sure to store the battery separate from the battery charger.

### Fault codes

Troubleshooting the battery and the battery charger during charging.

LED display	Possible faults	Possible action
Charger LED flashing red.	The battery is ok, but may be experiencing temperature deviation.	Charge the battery in surroundings where temperatures are between 41 °F (5 °C) and 113 °F (45 °C). Wait the battery cool down.
Charger LED always light red.	Battery is damaged. Charger is damaged.	Contact PRORUN Customer Service.



# 9. ASSEMBLY INSTRUCTIONS

## ● Unpacking

This product requires assembly of the adjustable front-assist handle and cutting guard.

- Carefully remove the product and any accessories from the box. Make sure that all items listed in the packing list are included.
- Inspect the product carefully to make sure that no breakage or damage occurred during shipping.
- Do not discard the packing material until you have carefully inspected and satisfactorily operated the product

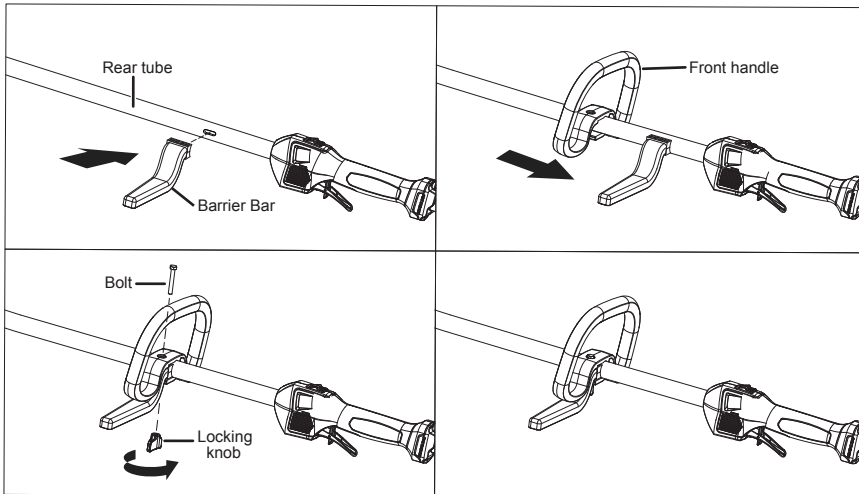
## ● Package contents:

- 1.60V Attachment capable powerhead
- 2.Edger attachment assembly
- 3.Battery
- 4.Battery Charger

- 5.Harness
- 6.Front handle & barrier bar
- 7.Allen wrench
- 8.Operator's manual

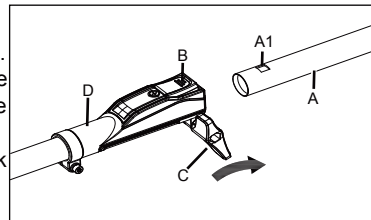
## ● Install the front handle

1. Align the protruding boss of the barrier bar with the slotted hole on the rear tube.
2. Clip the front handle into the rear tube and slide it to the barrier bar.
3. Insert the bolt through the front handle and barrier bar as illustrated.
4. Secure the front handle and barrier bar by threading the locking knob onto the bolt and tightening.



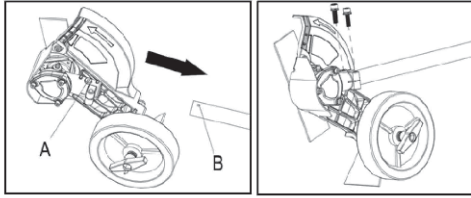
## ● Connecting the edger

Align the hole (A1) on the front tube (A) and the lock pin (B). Inserting the front tube (A) into the connector (D) until the lock pin (B) clicks and returns to its original position. Turn the lock knob (C) clockwise to tighten the front tube securely. Turn the lock knob (C) counterclockwise and press the lock pin (B) to pull out the tube to remove.



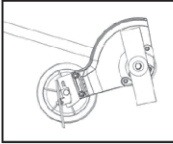
## ● Fitting the angle gear

Fit the cutting head on the shaft tube so that the screw hole (A) on the cutting head is aligned with the position hole (B) on the shaft tube as shown. Insert and tighten the lock screws securely. Turn the blade so that the drive shaft engages in the angle gear.



### **▲ WARNING**

**Never use a cutting attachment without an approved guard. If an incorrect or faulty guard is fitted this can cause serious personal injury.**



This guard is intended to prevent loose objects from being thrown towards the operator. The guard also protects the operator from accidental contact with the cutting attachment.

Check that the guard is undamaged and not cracked. Replace the guard if it has been exposed to impact or is cracked.

Always use the recommended guard for the cutting attachment you are using.

### **▲ WARNING**

**Never use a cutting attachment without an approved guard. See the chapter on Technical data. If an incorrect or faulty guard is fitted this can cause serious personal injury.**

## ● The cutting equipment

The blade is designed and manufactured to withstand the loads that edging of a lawn involves.



Check the cutting attachment for damage or cracks. A damaged cutting attachment should always be replaced.

A non-balanced blade induces heavy vibration that may damage the machine.

### **▲ WARNING**

**Always stop the engine before you work on any part of the cutting equipment. This continues to move even after the throttle is released. Check that the cutting equipment has stopped completely and remove the HT lead from the spark plug before you start any work on it.**

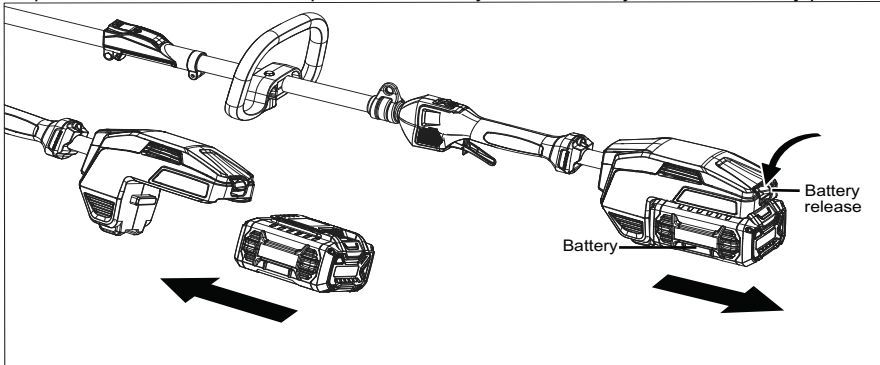
## 10. OPERATION

### ● Install and remove the battery pack

– Align the raised ribs of the battery pack with the mounting slots in the string trimmer's battery port.  
– Slide the battery pack forward into the string trimmer until you hear the release button make an audible click.

### ● Remove the battery pack

– Depress the release button and pull out the battery simultaneously to release battery pack.



### ● Checking the machine before use

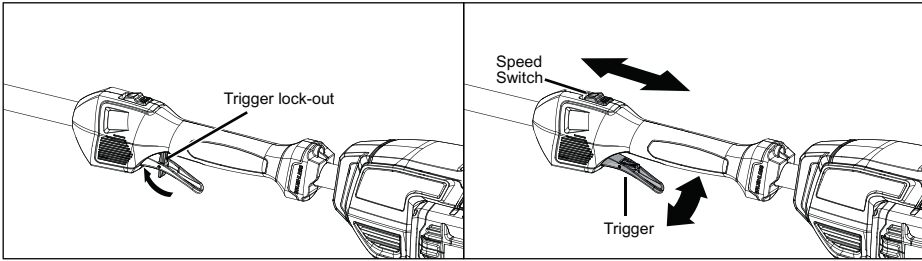
Before starting work please:

- Inspect before every use and after dropping or other impacts to identify significant damage or defects. Do not use the machine if it is damaged or shows wear.
- Double check that accessories and attachments are properly fixed.
- Wear correct personal safety equipment to protect yourself from hidden objects that may be thrown from the cutting trimmer head.
- Check that handgrips and protection devices are clean and dry, correctly mounted, and well fastened to the machine. Always hold the machine by its handles.
- Keep any ventilation openings clear of debris. Clean them with a soft brush if necessary.
- Ensure the area to be worked is clear of stones, sticks, wires, electrical lines, or other objects that could damage the tool.
- Stop the machine immediately if you are interrupted by other people entering the working area while working. Always let the machine come to complete stop before putting it down.
- Do not overwork yourself. Take regular breaks to ensure you can concentrate on the work and have full control over the machine.
- Understand the purpose and use of all safety equipment.
- Cutting guard and front handle adjustments should be made with the motor stopped and the battery removed. Ensure the machine is in the unfolded position and make sure the locking knob is tightened securely.

### ● Switching ON and OFF

To activate the motor, push the trigger lock-out forward with your thumb, depress the variable-speed switch trigger at the same time.

- It will not be necessary to sustain the actuation of the lock-off device after the variable-speed switch trigger is activated.
- The variable-speed switch trigger and trigger lock-out will return to their original locked state when the variable-speed switch trigger is released.
- To switch on the machine again, push the trigger lock-out forward and depress variable-speed switch.



**⚠ WARNING! The machine continues to work for some time even after the power switch trigger has been released!** Wait until the cutting accessories come to a complete stop before you put the machine down.

● **Speed switch**

The machine has two speed options, high speed (3150 RPM) and low speed (2350 RPM).

- Slide the speed switch forward towards the front handle to actuate the high speed.
- Slide the speed switch backwards towards the rear handle to actuate the low speed.

● **Adjusting the harness and brush cutter**

**⚠ WARNING! When using the machine it must always be hooked securely to the harness.** Otherwise you will be unable to control the brush cutter safely and this can result in injury to yourself or others. Never use a harness with a defective quick release.

**Single shoulder harness**

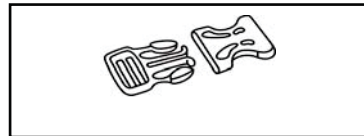
Put on the harness.

Hook the machine onto the harness support hook.

Adjust the length of the harness so that the support hook is roughly level with your right hip.

**Quick release**

There is an easily accessible, quick release fitted near the suspension ring. Use the quick-release buckle to release the machine quickly from the operator in the event of emergency.

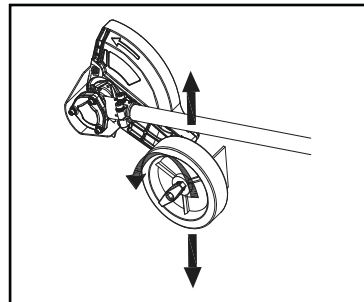


● **Using the edger**

**Adjusting the edger's cutting depth**

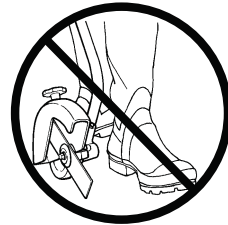
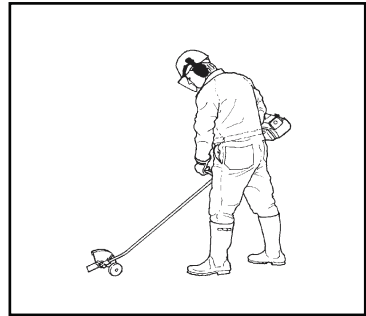
The cutting depth must be adjusted before starting work.

- Loosen the wing nut.
- Set the desired cutting depth.
- Tighten the wing nut.



### Basic working techniques

- Always ensure you have a safe and stable working position.
- Always hold the machine with both hands. Hold the machine on the right side of your body.
- Use your right handle to control the trigger setting.
- Make sure that your hands and feet do not come near the cutting attachment when the motor is running.
- When the motor is switched off, keep your hands and feet away from the cutting attachment until it has stopped completely.
- Always carry out edging at full trigger.
- Always keep the blade close to the ground.
- Be especially careful when pulling the edger towards you during work.
- If any foreign object is hit or if vibrations occur stop the machine immediately. Check that the machine is not damaged. Repair any damage.

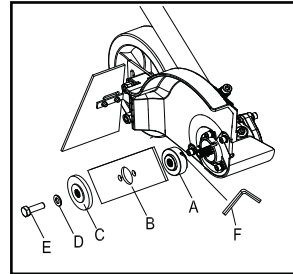


## 11. MAINTENANCE AND REPAIR

- Correct maintenance is essential to maintain the original efficiency and safety of the machine over time.
- Keep all nuts, bolts, and screws tight to be sure that the machine is in safe working condition.
- Never use the machine with worn or damaged parts. Damaged parts must be replaced and never repaired.
- Only use original spare parts. Parts that are not of the same quality can seriously damage the equipment and compromise safety.
- If your machine has a malfunction, is damaged, or requires servicing: Contact PRORUN Customer Service.

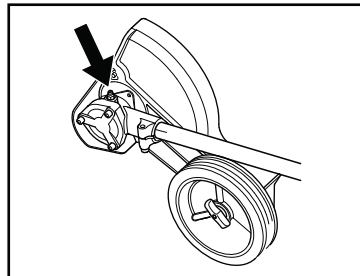
### ● Replacing the blade

- Fit the drive disc (A) on the outgoing shaft. Make sure that the edge that fits in the hole of the blade is facing outward.
- Block the blade rotation by inserting the allen wrench (F) in the hole behind the blade guard engaging it in the corresponding hold in the drive disc.
- Fit the blade (B) on the drive disc.
- Fit the support flange (C). The support flange must be fitted with its outer edge hard up against the blade.
- Fit the washer (D) and the locking screw (E).
- Fit the locking screw.
- Remove allen wrench.



### ● Angle gear

- The bevel gear, transmission and gear box is filled with the right quantity of grease at the factory.
- However, before using the machine you should check that the aforesaid components are filled half full with grease.
- The grease in the bevel gear does not normally need to be changed except if repairs are carried out.



### ● Servicing and Repairing the Battery.

The battery requires no servicing and cannot be repaired.

- If the battery has a malfunction or is damaged: Contact PRORUN Customer Service and replace the battery.

### ● Servicing and Repairing the Charger

The charger requires no servicing and cannot be repaired.

- If the charger has a malfunction or is damaged: Contact PRORUN Customer service and replace the charger.
- If the connecting cable has a malfunction or is damaged: Do NOT use the charger and contact PRORUN Customer Service.

**⚠ WARNING! If the battery pack cracks or breaks, with or without leaks, do not recharge it and do not use.** Dispose of it and replace with a new battery pack.

### ● Inspections of the machine, battery, and charger

To reduce the risk of personal injury from unintended activation, remove the battery before conducting an inspection, or performing any maintenance on string trimmer:

- Maintain and replace trimming line per instructions in this user's manual.
- Contact PRORUN Customer Service with questions or issues with this machine.

## **DO NOT ATTEMPT TO REPAIR THE BATTERY!**

To avoid injury and risk of fire, explosion, or electric shock, and to avoid damage to the environment:

- Cover the battery's terminals with heavy-duty adhesive tape.
- DO NOT attempt to remove or destroy any of the battery pack components.
- DO NOT attempt to open the battery pack.
- If a leak develops, the released electrolytes are corrosive and toxic. DO NOT get the solution in the eyes or on skin, and do not swallow it.
- DO NOT place these batteries in your regular household trash.
- DO NOT incinerate.
- DO NOT place them where they will become part of any waste landfill or municipal solid waste stream. Take them to a certified recycling or disposal center.

**⚠ WARNING! If the battery pack cracks or breaks, with or without leaks, do not recharge it**

### ● **Storing the charger**

- Disconnect the charger from the wall outlet. Remove the battery from the charger.
- Store the charger indoors in a dry and secure location.
- Keep it out of the reach of children.

## **12. TRANSPORTING, CLEANING, AND STORING**

### ● **Transporting the machine**

When transporting the machine:

- Switch off the machine and remove the battery pack.
- When transporting the machine by hand, hold it by the front handle with the bump head pointing backwards, opposite the direction in which you are walking.
- When transporting the machine in a vehicle, secure and position the machine to prevent turnover, impact, and damage.

### ● **Transporting the battery**

Switch off the machine and remove the battery.

- Make sure the battery is in a safe condition.
- Observe the following points when packing the battery:
- The packaging must be non-conductive.
  - Make sure the battery cannot shift inside the packaging.
  - Secure the packaging so that it cannot move.

### ● **Cleaning the machine**

To reduce the risk of personal injury from unintended activation, remove the battery before cleaning the machine:

- Clean the machine's cutting accessories with a slightly dampened cloth. Do not use detergents or solvents.
- Keep the machine's charger housing and electrical contacts free from foreign matter.
- Do not use a pressure washer to clean the housing and cutting blades or spray them with water or other liquids.
- Keep the battery housing and guides free from foreign matter and clean as necessary with a soft brush or soft, dry cloth. Keep the machine's charger housing and electrical contacts free from foreign matter.

### ● **Cleaning the battery**

- Clean the battery housing with a damp cloth.
- Clean the battery's electrical contacts with a soft brush.

### ● **Cleaning the charger**

Disconnect the plug from the wall outlet.

- Clean the charger with a damp cloth.
- Clean the charger's electrical contacts with a soft brush.

● **Storing the machine**

When storing the machine:

- Switch off the machine and remove the battery pack.
- Clean and maintenance the machine.
- Store the machine indoors in a dry and secure location, out of the reach of children.
- Protect the machine against dampness and corrosive agents such as garden chemicals and de-icing salts.
- Keep the machine clean and dry

● **Storing the battery**

We recommend that you store the battery with a charge between 40% and 60%.

Observe the following points when storing the battery:

- Battery is out of the reach of children.
- Battery is clean and dry.
- Battery is in an enclosed space.
- Battery is stored separately, away from the string trimmer and charger.
- Battery is in non-conductive packaging.
- Battery is in a temperature range between 40°F (5°C) and 115°F (+46°C).


● **Storing the charger**

- Disconnect the charger from the wall outlet. Remove the battery from the charger.
- Store the charger indoors in a dry and secure location.
- Keep it out of the reach of children.

## 13. TROUBLESHOOTING

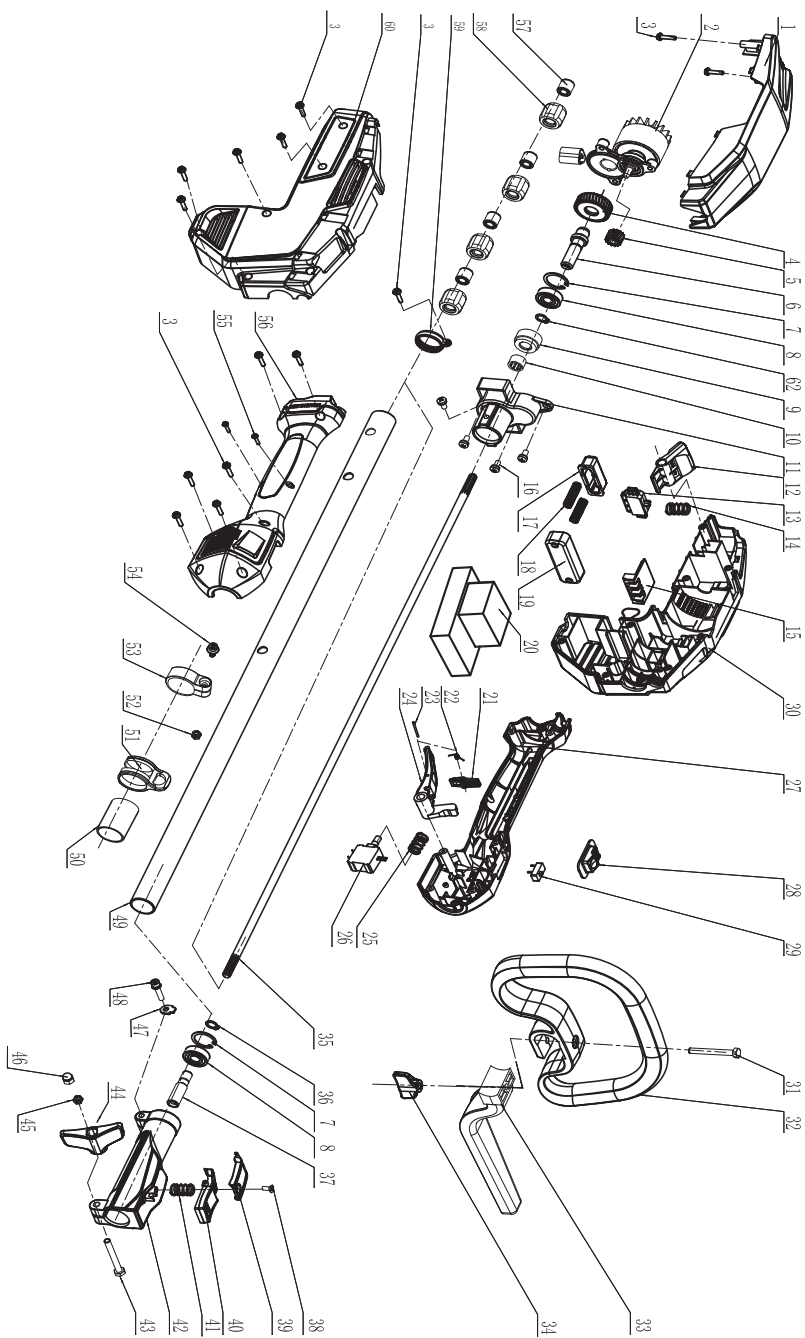
Problem	Possible cause	Solution
Motor fails to start when power switch are depressed.	Battery is not secure.  Battery is not charged.  Faulty with the machine.	To secure the battery pack, make sure the latches on the top of the battery pack snap into place. Charge the battery pack according to the instructions included with your model. Contact PRORUN Customer Service.
Motor runs, but trimmer head do not move.	Debris or other may be jamming the trimmer head.	Remove battery, clear debris blockage from trimmer head.
Machine stop unintentionally during operation.	Battery pack too hot.  Electrical malfunction.	Allow the battery to cool down gradually at ambient temperatures. Contact PRORUN Customer Service.
Machine runtime is too short.	Battery not fully charged. Useful life of battery has been reached or exceeded.	Fully charge the battery. Contact PRORUN Customer Service for replacement.

## 14. DISPOSAL

 All toxic materials must be disposed of in a specified manner to prevent contamination of the environment. Before disposing of damaged or worn out Lithium-Ion battery packs, contact your local waste disposal agency, or the local Environmental Protection Agency for information and specific instructions. Take the batteries to a local recycling and/or disposal center, certified for lithium-ion disposal.



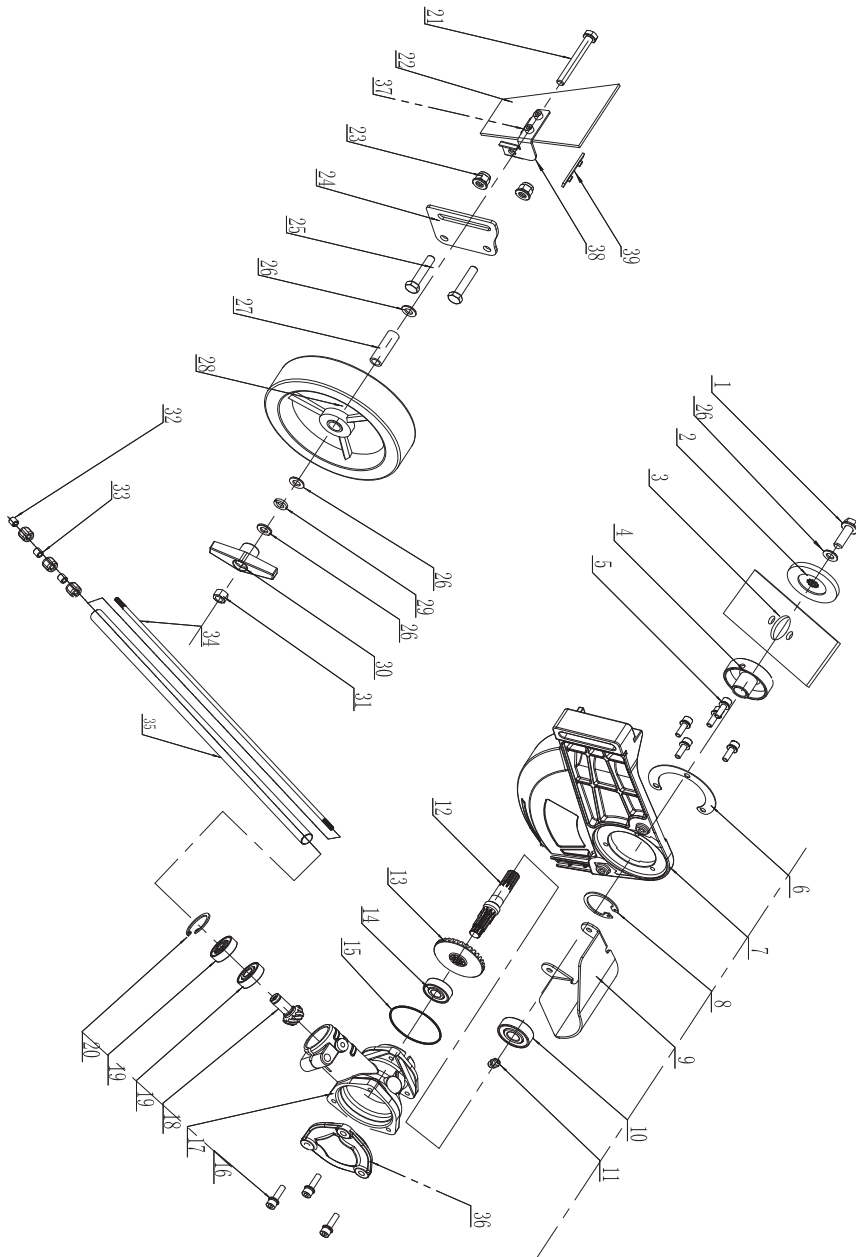
# 15. EXPLODED VIEW



## 15. EXPLODED VIEW

NO.	DESCRIPTION	QTY.	NO.	DESCRIPTION	QTY.
1	Upper cover decoration	1	31	Square neck bolt	1
2	Motor	1	32	Front handle	1
3	Screw ST4*16	17	33	Barrier bar	1
4	Big gear wheel	1	34	Locking knob	1
5	Small gear wheel	1	35	Driver shaft	1
6	Driver shaft	1	36	Circlip	1
7	external circlips	1	37	Connecting shaft	1
8	Ball bearing	1	38	screw M4*10	1
9	Bearing sleeve	1	39	Clamping cap	1
10	Bearing	1	40	Clamping button	1
11	Dental box cover	1	41	releasing spring	1
12	Release button	1	42	Aluminum clamp pipe	1
13	Buckle	1	43	Bolt M6*50	1
14	Buckle spring	2	44	Locking knob	1
15	Insert seat	1	45	hex nut M6	1
16	Screw M5x10	4	46	hex nut M6	1
17	Eject button	4	47	Anti-spinning plate	1
18	Spring	2	48	screw M5*25	1
19	Limit plate	1	49	Front aluminum tube	1
20	Controller	1	50	Lifting sleeve	1
21	Self locking button	1	51	Lifting ring combination	1
22	Self locking torsion spring	1	52	Dead ring	1
23	Cylindrical pin	1	53	screw M5 *22	1
24	Trigger	1	54	Nut M5	1
25	Pull rope spring	1	55	Screw ST2.9x9.5	2
26	Main switch	1	56	Right handle	1
27	Left handle	1	57	Bearing	4
28	Speed button	1	58	Bearing rubber sleeve	1
29	Speed switch	1	59	hoop	1
30	Left rear housing	1	60	Right rear housing	1

# 15. EXPLODED VIEW



## 15. EXPLODED VIEW

NO.	DESCRIPTION	QTY.	NO.	DESCRIPTION	QTY.
1	Screw M8 x25	1	29	Spring washer 8	1
2	Cap washer	1	30	Straight knob	1
3	Blade	1	31	Nut M8	1
4	Blade retainer	1	32	Bearing	3
5	Screw M5 x16	5	33	Rubber sleeve	3
6	Shim	1	34	Driver shaft	1
7	Straw baffle	1	35	Aluminum tube	1
8	Circlip 32	1	36	Cover plate	1
9	Guard plate	1	37	Screw M5 x12	2
10	Ball bearing 6201-2R	1	38	Bracket	1
11	Oil filler	1	39	Trivial piece	1
12	Gear shaft	1	40		
13	Bevel gear	1	41		
14	Ball bearing 6000-2R	1	42		
15	Seal ring	1	43		
16	Screw M5 x20	3	44		
17	Gear box	1	45		
18	Small cone tooth	1	46		
19	Ball bearing 6000-2R	2	47		
20	Circlip 26	1	48		
21	Screw M8 x65	1	49		
22	Rubber plate	1	50		
23	Nut M8	2	51		
24	Adjusting plate	1	52		
25	Screw M8 x40	2	53		
26	Washer 8	6	54		
27	Spacer	1	55		
28	Roller	1	56		

PRORUN regularly improves our products, and you may find slight differences between your machine and the descriptions contained within this operator's manual. Modifications can be made to the machine without notice and without the obligation to update the manual, providing that the essential safety and functional characteristics remain unaltered. Contact PRORUN Customer Service with any questions and for current specifications.

PRORUN / TOPSUN USA  
200 Overhill Drive, Suite A  
Mooresville, NC 28117  
[www.proruntech.com](http://www.proruntech.com)

Zhejiang Zhongjian Technology Co., Ltd  
Web: [www.topsunpower.cc](http://www.topsunpower.cc)  
E-mail: [sales@topsunpower.cc](mailto:sales@topsunpower.cc)  
ADD: No.155 Mingyuan North AVE, Economic Development Zone,  
Yongkang, Zhejiang, 321300, P.R. CHINA  
Made in China

