

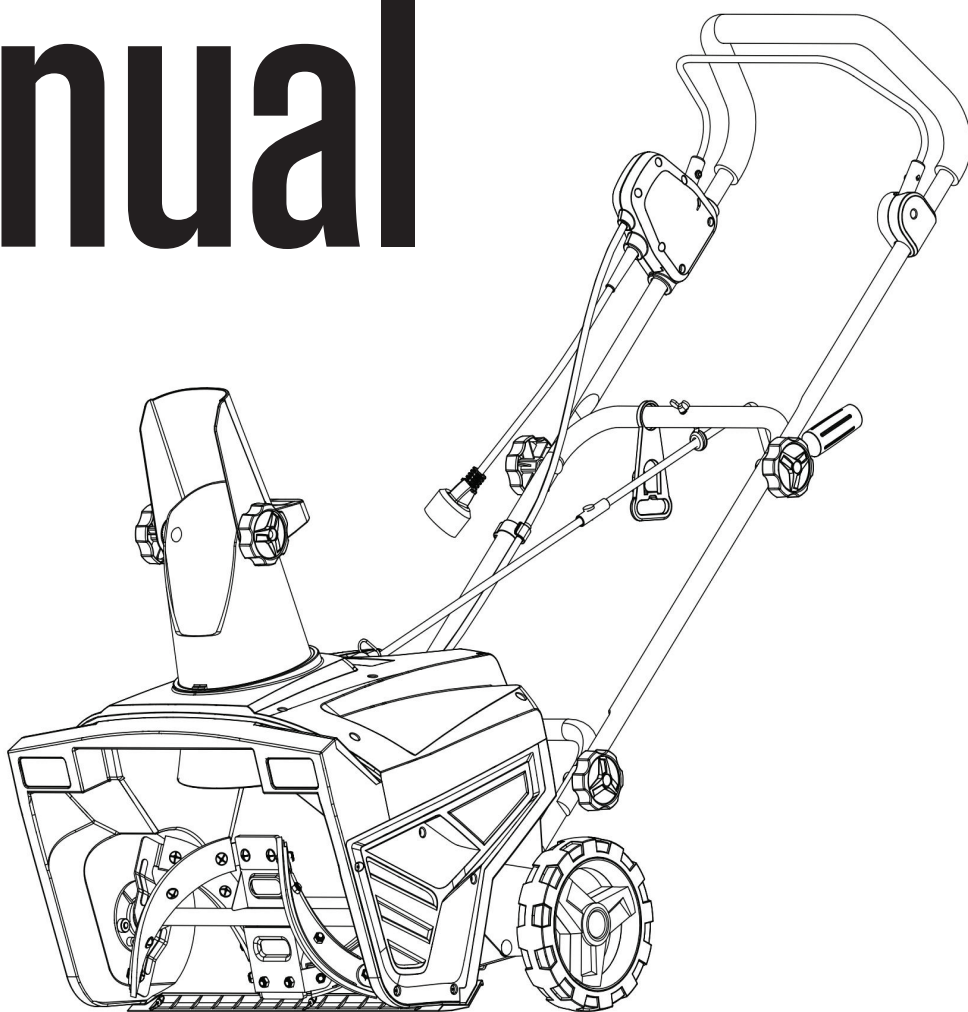


# User Manual

**WSnow20**

**20-in. Snow Blower**

WR1002-2300-500L15S



**DO NOT RETURN THIS PRODUCT TO THE STORE**

If you have questions or need assistance, please call customer service at 855-944-3571.

# TABLE OF CONTENTS

Introduction.....	2-3
Safety .....	4-6
Electrical.....	7
Components .....	8
Assembly .....	9-12
Operation.....	12-14
Maintenance .....	14-15
Troubleshooting .....	15
Service Hot Line/Company Address.....	Back Page

## INTRODUCTION

**⚠ WARNING** Operating, servicing, and maintaining this equipment may expose you to chemicals which are known to the State of California to cause cancer and birth defects or other reproductive harm. To minimize exposure, wear gloves or wash your hands frequently when servicing this equipment. For more information go to [www.P65warnings.ca.gov](http://www.P65warnings.ca.gov).

### DISCLAIMERS

All information, illustrations, and specifications in this manual were in effect at the time of publishing. The illustrations used in this manual are intended as representative reference views only. We reserve the right to make any specification or design change without notice.

### ALL RIGHTS RESERVED

All rights reserved. No reproduction allowed in any form without written permission from Westinghouse Outdoor Power Equipment.



**⚠ DANGER** Read this manual before using or performing maintenance on this product. Failure to follow the instructions and safety precautions in this manual can result in serious injury or death.

### UPDATES

The latest User Manual for your Westinghouse products can be found under our support tab. [wpowereq.com/pages/manuals](http://wpowereq.com/pages/manuals)

Or scan the following QR code with your smartphone camera to be directed to the link.



### PRODUCT REGISTRATION

For trouble-free warranty coverage, it is important to register your Westinghouse product.



You can register by:

- Completing and mailing the product registration card included in the carton.
- Registering your product on-line at: [wpowereq.com/pages/warranty-registration](http://wpowereq.com/pages/warranty-registration)
- Scanning the above QR code with your smartphone camera to be directed to the mobile registration link.

#### For Your Records

Date of Purchase: \_\_\_\_\_

Model Number: \_\_\_\_\_

Serial Number: \_\_\_\_\_

Place of Purchase: \_\_\_\_\_

- Sending the following product information to:  
Westinghouse Outdoor Power  
Warranty registration  
777 Manor Park Drive  
Columbus, OH 43228

**IMPORTANT:** Keep your purchase receipt for trouble-free warranty coverage.

# INTRODUCTION

---

## SPECIFICATIONS

AC Voltage .....	120V//60Hz, 15 Amps	Machine Weight .....	30.6 lbs. (13.8 kg)
Clearing Width .....	20 in. (50.8 cm)	No Load Speed.....	3000 RPM
Maximum Throwing Distance .....	29.5 ft (8.9 m)	Chute Range of Motion.....	Horizontal 0° - 180° Vertical 15° - 60°
Maximum Snow Intake Height.....	10 in. (25.4 cm)		
Wheel Size .....	7 in. (17.78 cm)		

### NOTICE

This product is designed and rated for continuous operation at ambient temperatures above 23°F (-5°C). If needed, this product can be operated in extremely hot or extremely cold temperatures for short periods. If the product is exposed to extreme temperatures during storage, it should be brought back within the optimal temperature range before operation.

### NOTICE

Thank you for choosing Westinghouse!  
**PLEASE READ BEFORE RETURNING THIS PRODUCT FOR ANY REASON.**

If you have a question or experience a problem with your Westinghouse purchase, call us at 1-855-944-3571 to speak with an agent.

**SAVE THIS MANUAL FOR FUTURE REFERENCE.**

**HAVE QUESTIONS?**  
**Email us at [service@wpowerreq.com](mailto:service@wpowerreq.com)**  
**or call 1-855-944-3571**

# SAFETY

## SAFETY DEFINITIONS

The words DANGER, WARNING, CAUTION, and NOTICE are used throughout this manual to highlight important information. Make sure that the meanings of this safety information is known to all who operate, perform maintenance on, or are near the generator.



**This safety alert symbol appears with most safety statements. It means attention, become alert, your safety is involved! Please read and abide by the message that follows the safety alerts symbol.**

### **DANGER**

Indicates a hazardous situation which, if not avoided, will result in death or serious injury.

### **WARNING**

Indicates a hazardous situation which, if not avoided, could result in death or serious injury.

### **CAUTION**

Indicates a hazardous situation which, if not avoided, could result in minor or moderate injury.
















### **NOTICE**

Indicates a situation which can cause damage to the generator, personal property, and/or the environment, or cause the equipment to operate improperly.

**NOTE:** Indicates a procedure, practice or condition that should be followed for the generator to function in the manner intended.

## SAFETY SYMBOLS

Follow all safety information contained in this user's manual as well as the information on the product labeling.

SYMBOL	DESCRIPTION
	Safety Alert Symbol. Indicates a potential personal injury hazard.
	Read Operator's Manual. To reduce the risk of injury, user must read and understand operator's manual before using this product.
	Wear Ear Protection.
	Double Insulation.
	Before any work on the machine itself, pull the power plug from the outlet.
	Wear Eye Protection. Always wear eye protection with side shields marked to comply with ANSI Z87.1.
	<b>DANGER!</b> avoid injury from rotating auger – Keep hands, feet, and clothing away.
	Wear Dust Mask.
	Wear Protective Gloves.
	Wear nonslip footwear when using the tool.
	Before working with your tool, make sure that no power cords will be damaged.
	Keep Hands and Feet Away. Keep hands and feet away from auger and chute.
	<b>DANGER!</b> Shut off motor before unclogging discharge chute.
	Wet Conditions Alert. Do not expose plug to water or rain.
	The rotating part will continuously run for several seconds after you turn off the machine.
	Beware of stones and other objects that could be thrown from the appliance. Keep all bystanders and domestic animals a safe distance away from the work area.

# SAFETY

---



## **WARNING**

**READ AND UNDERSTAND ALL INSTRUCTIONS.** Failure to follow all instructions listed below and on the machine may result in electric shock, fire, and/or serious personal injury.

- Know your snow blower. Read operator's manual carefully. Learn its applications and limitations, as well as the specific potential hazards related to this snow blower. Following this rule will reduce the risk of electric shock, fire, or serious injury.
- Do not permit children to use snow blower. It is not a toy.
- Use only accessories that are recommended by the manufacturer for your model described in this manual. Accessories that may be suitable for one snow blower may create a risk of injury when used on another snow blower. Use only as described in this manual.
- Do not put any object into openings. Do not use with any opening blocked; keep free of dust, lint, hair, and anything that may reduce air flow.
- Keep hair, loose clothing, fingers, and all parts of body away from openings and moving parts.
- Make sure your extension cord is in good condition. When using an extension cord, be sure to use one heavy enough to carry the current your product will draw. A wire gauge size (A.W.G.) of at least 14 is recommended for an extension cord 50 feet or less in length. If in doubt, use the next heavier gauge. The smaller the gauge number, the heavier the cord. An undersized cord will cause a drop in line voltage resulting in loss of power and overheating.
- **WARNING:** Use outdoor extension cords marked SW-A, SOW-A, STW-A, STOW-A, SJW-A, SJTW-A, or SJTOW-A. These cords are rated for outdoor use and reduce the risk of electric shock.
- Ground Fault Circuit Interrupter (GFCI) protection should be provided on the circuit(s) or outlet(s) to be used for the product. Receptacles are available having built-in GFCI protection and may be used for this measure of safety.
- This snow blower should be grounded while in use to protect the operator from electric shock. The snow blower is equipped with an approved 3-conductor cord and 3-prong grounding-type plug to fit the proper grounding-type receptacle. The green or green and yellow conductor in the cord is the grounding wire. Never connect the green or green and yellow wire to a live terminal.
- Use only 3-wire outdoor extension cords that have 3-prong grounding-type plugs and 3-pole receptacles that accept the snow blower's plug. Replace or repair damaged cords.
- This product is designed with a cord retainer that prevents the extension cord from being pulled loose while using.
- If cord is damaged in any manner while plugged in, pull extension cord from wall receptacle.
- Don't Abuse Cord — Never carry snow blower by cord or yank it to disconnect from receptacle. Keep cord from heat, oil, and sharp edges.
- Keep hands away from moving parts.
- Avoid Unintentional Starting – Do not carry plugged in appliance with finger on trigger. Be sure the switch trigger is not engaged before plugging in.
- Do not use tool if switch trigger does not turn it on or off. Any tool that cannot be controlled with the switch trigger is dangerous and must be repaired.
- Do not operate snow blowers in explosive atmospheres, such as in the presence of flammable liquids, gases, or dust. Snow blowers create sparks which may ignite the dust or fumes.
- Keep bystanders, children, and visitors at least 100 ft. away while operating a snow blower. Distractions can cause you to lose control.
- If appliance is not working as it should, has been dropped, damaged, left outdoors, or dropped into water, return it to a service center.
- Stay alert, watch what you are doing and use common sense when operating a power snow blower. Do not use snow blower while tired, upset, or under the influence of drugs, alcohol, or medication. A moment of inattention while operating snow blowers may result in serious personal injury.
- Use safety equipment. Always wear eye protection. Dust mask, non-skid safety shoes, hard hat, or hearing protection must be used for appropriate conditions.
- Dress properly — Do not wear loose clothing, scarves, or jewelry. They can be caught in moving parts.
- Check for misalignment or binding of moving parts, breakage of parts, and any other condition that may affect the snow blower's operation. If damaged, have the snow blower serviced before using. Many accidents are caused by poorly maintained snow blowers.
- Keep the snow blower and its handle dry, clean and free from oil and grease. Always use a clean cloth when cleaning. Never use brake fluids, gasoline, petroleum-based products, or any strong solvents to clean your snow blower. Following this rule will reduce the risk of loss of control and deterioration of the enclosure plastic.
- Always wear safety glasses with side shields. Everyday glasses have only impact resistant lenses. They are NOT safety glasses. Following this rule will reduce the risk of eye injury.

# SAFETY

---

- Always wear eye protection with side shields marked to comply with ANSI Z87.1 along with hearing protection when operating this equipment.
- Protect your hearing. Wear hearing protection during extended periods of operation. Following this rule will reduce the risk of serious personal injury.
- Don't expose snow blowers to rain. Water entering a snow blower will increase the risk of electric shock.
- Wear heavy long pants, long sleeves, boots, and gloves. Avoid loose garments or jewelry that could get caught in moving parts of the machine or its motor.
- Wear rubber boots when operating the snow blower. Protective footwear will protect your feet and improve your footing on slippery surfaces. Do not go barefoot or wear sandals.
- Keep firm footing and balance. Do not overreach. Overreaching can result in loss of balance.
- Do not operate the snow blower in a direction that will cause snow to be thrown on people or pets. Thrown snow or other objects can cause serious personal injuries.
- Store Idle Snow Blowers Indoors — When not in use, snow blower should be stored indoors in a dry, locked up place — unplugged and out of the reach of children.
- Keep all bystanders, children, and pets at least 100 ft. away.
- Snow blower service must be performed only by qualified repair personnel. Service or maintenance performed by unqualified personnel may result in a risk of injury.
- When servicing a snow blower, use only identical replacement parts. Replace or repair damaged cords. Follow instructions in the Maintenance section of this manual. Use of unauthorized parts or failure to follow Maintenance Instructions may create a risk of shock or injury.
- Never use snow blower near fires, fireplaces, hot ashes, barbecue pits, etc. Use near fires or ashes can spread fires and result in serious injury and/or property damage.
- Never use snow blower to spread chemicals, fertilizers, or any other toxic substances. Spreading these substances could result in serious injury to the operator or bystanders.
- Never place snow blower on any surface, except a hard, clean surface when motor is running. Gravel, sand, and other debris can be picked up by the air inlet and thrown at the operator or bystanders, causing possible serious injuries.
- Check the work area before each use. Remove all objects such as rocks, broken glass, nails, wire, or string which can be thrown or become entangled in the machine.
- Do not use snow blower on ice, which can cause the operator to slip and fall, resulting in possible serious personal injury.
- Never use snow blower on frozen lakes, rivers, or similar surfaces. Serious injury or death could occur if the ice breaks.
- Never use the snow blower on a rooftop or other unstable surface, which can result in death or serious personal injury.
- For household use only.
- Use the right appliance — Do not use the snow blower for any job except that for which it is intended.
- Do not force the snow blower - It will do the job better and safer at the rate for which it was designed.
- Never direct discharged material toward anyone. Avoid discharging material against a wall or obstruction. Material may ricochet back toward the operator. Stop the snow blower when crossing gravel or rocky surfaces.
- If the snow blower strikes a foreign object, follow these steps:
  - Release the switch trigger and wait until the unit comes to a complete stop.
  - Disconnect the snow blower from the power supply.
  - Thoroughly inspect the snow blower for any damage.
  - Repair any damage before restarting and continuing to operate the snow blower.
- Do not lift up or hold the snow blower above the ground when operating, which can result in loss of control and possible serious personal injury. Only operate the snow blower in accordance with the operating instructions provided in this operator's manual.
- Keep guards in place and in working order.
- Disconnect the plug from power source when not in use, before servicing, and when changing accessories.
- Maintain Snow Blowers With Care — Follow instructions for lubricating and changing accessories.
- **Save these instructions.** Refer to them frequently and use them to instruct others who may use this tool. If you loan someone this tool, loan them these instructions also.



# ELECTRICAL SAFETY

## EXTENSION CORDS

See Figure 1.

When using a power tool at a considerable distance from a power source, be sure to use an extension cord that has the capacity to handle the current the product will draw. An undersized cord will cause a drop in line voltage, resulting in overheating and loss of power. Use the chart to determine the minimum wire size required in an extension cord. Only round jacketed cords listed by Underwriter's Laboratories (UL) should be used.

When working outdoors with a product, use an extension cord that is designed for outside use. This type of cord is designated with "WA" or "W" on the cord's jacket. Be sure to use a heavy gauge (A.W.G.) wire for your product based on the chart below. If in doubt, use the next heavier gauge. (smaller gauge numbers equal heavier cords). Using an undersized cord will cause a drop in line voltage and result in loss of power and overheating.

\*\*Ampere rating (on product data plate)

	0-2.0	2.1-3.4	3.5-5.0	5.1-7.0	7.1-12.0	12.1-16.0
<b>Cord Length</b>	<b>Wire Size (A.W.G.)</b>					
25'	16	16	16	16	14	14
50'	16	16	16	14	14	12

\*\*Used on 12 gauge - 20 amp circuit.

NOTE: AWG = American Wire Gauge

Before using any extension cord, inspect it for loose or exposed wires and cut or worn insulation.

It is possible to tie the extension cord and power cord in a knot to prevent them from becoming disconnected during use. Make the knot as shown in figure 1, then connect the plug end of the power cord into the receptacle end of the extension cord. This method can also be used to tie two extension cords together.

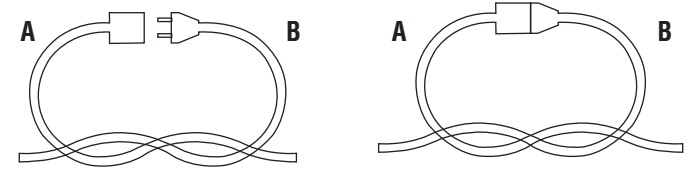
**⚠ WARNING** Keep the extension cord clear of the working area. Position the cord so that it will not get caught on lumber, tools, or other obstructions while you are working with a power tool. Failure to do so can result in serious personal injury.

**⚠ WARNING** Check extension cords before each use. If damaged replace immediately. Never use the product with a damaged cord since touching the damaged area could cause electrical shock resulting in serious injury.

## ELECTRICAL CONNECTION

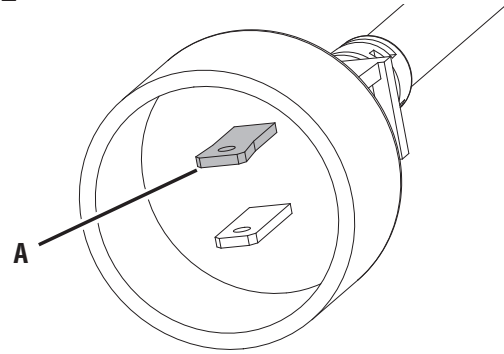
This product has a precision-built electric motor. It should be connected to a power supply that is **nominal 120V/60Hz AC (typical U.S. household circuit)**. Do not operate this product on direct current (DC). A substantial voltage drop will cause a loss of power and the motor will overheat. If the product does not operate when plugged into an outlet, double-check the power supply.

FIG. 1 TIE CORDS AS SHOWN



A - Extension cord  
B - Appliance cord

FIG. 2



A - Polarized blade

## SPEED AND WIRING

The speed is not constant and decreases under a load or with lower voltage. For voltage, the wiring in a shop is as important as the motor's horsepower rating. A line intended only for lights cannot properly carry a power tool motor. Wire that is heavy enough for a short distance will be too light for a greater distance. A line that can support one power tool may not be able to support two or three tools.

## POLARIZED PLUG

See Figure 2.

To reduce the risk of electric shock, this product has a polarized plug featuring one blade that is wider than the other. Do not modify the plug provided. The plug will fit into a polarized extension cord only one way. Use only a polarized UL-, CSA-, or ETL-listed extension cord when using this snow shovel. If the plug does not fully fit into the extension cord, reverse the plug. If the plug still does not fit, obtain a correct polarized extension cord. A polarized extension cord will require the use of a polarized wall outlet.

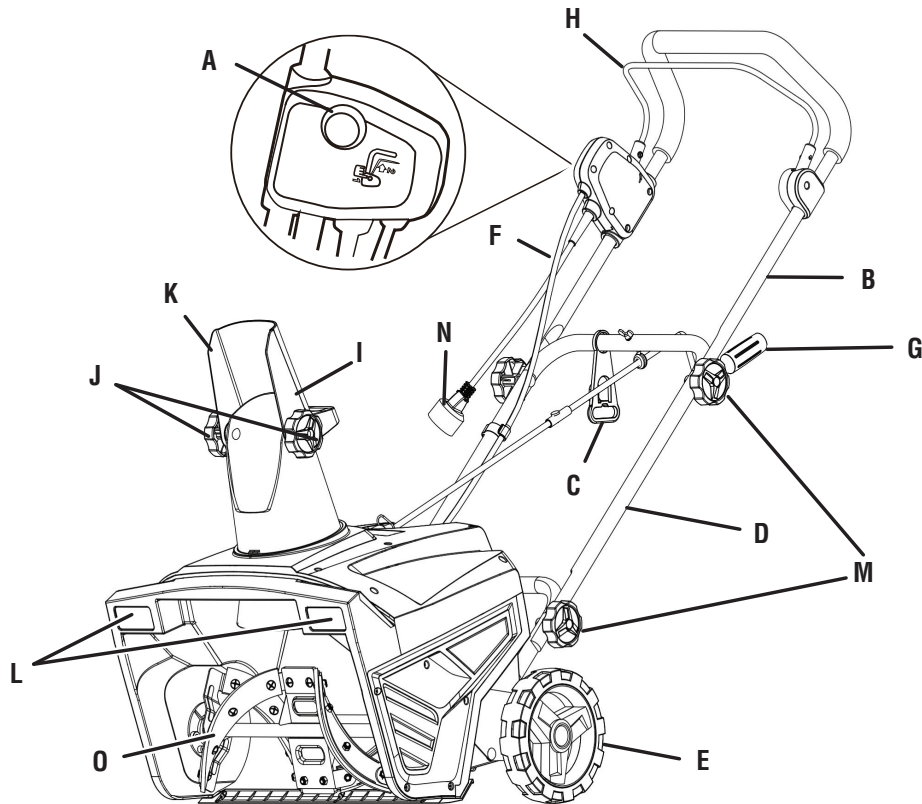
**⚠ WARNING** Improper installation of a non-polarized extension cord increases the risk of electric shock.

Repair or replace a damaged or worn cord immediately.

This product is for use on a nominal 120 V circuit and has a polarized plug similar to the plug illustrated in figure 2. Only connect the product to an extension cord having the same configuration as the plug. Do not use an adapter with this product.

# COMPONENTS

---



A - Start button  
B - Upper handle  
C - Power cord retainer  
D - Lower handle  
E - Wheel

F - Power cable  
G - Chute rotation handle  
H - Switch lever  
I - Chute deflector  
J - Chute deflector adjustment knobs

K - Adjustable discharge chute  
L - Headlights  
M - Handle locking knobs  
N - AC plug  
O - Auger

---

## UNDERSTANDING YOUR SNOW BLOWER

*See Figure 3.*

To reduce the risk of personal injury and product failure, read and understand the information in this user's manual as well as the information on the product labeling.

### AUGER

The large auger on this product allows it to take a big bite of snow up to 9 inches in depth. It also features an 18-inch clearing width.

## CHUTE ROTATION HANDLE

The chute rotation handle allows for the easy adjustment of the discharge chute for directing the discharge of the snow.

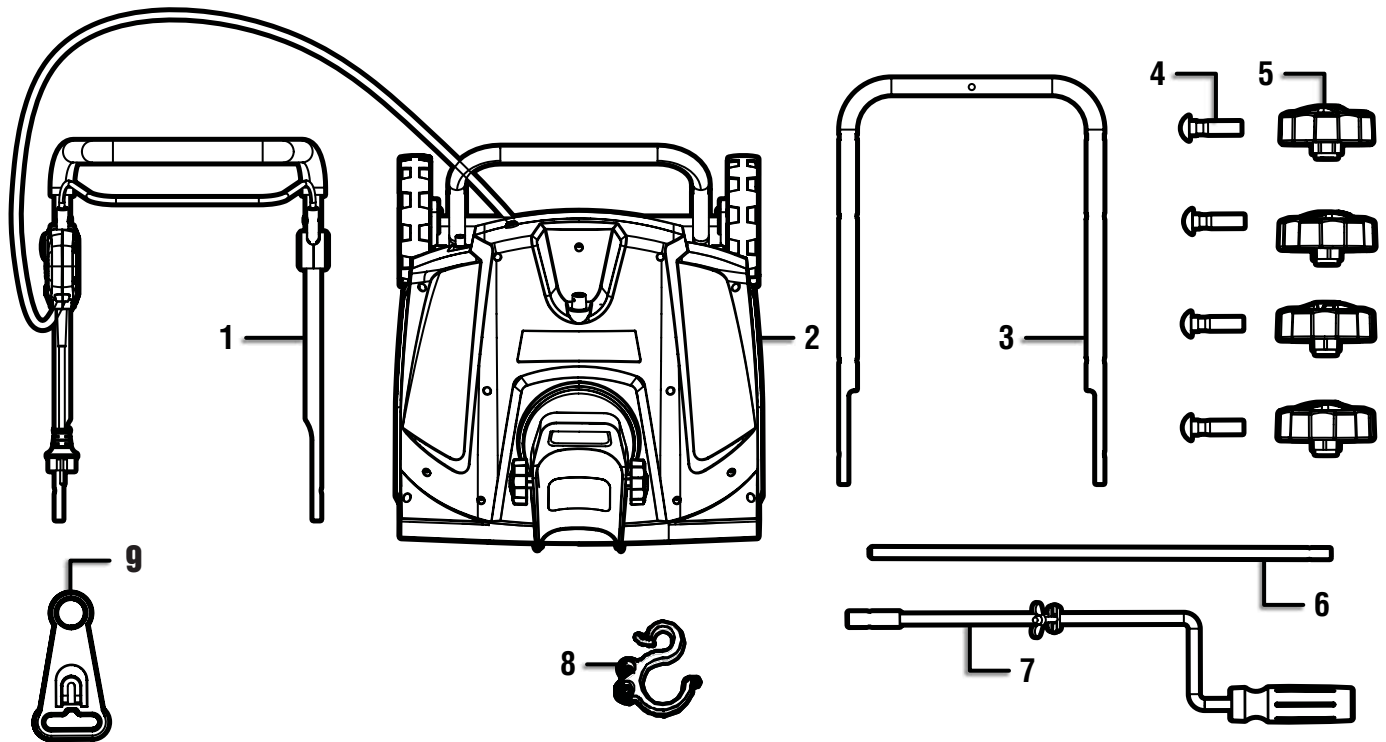
## POWER CORD RETAINER

The power cord retainer helps control the safe positioning of the attached power cord. It may also help prevent the accidental disconnection of the attached power cord.



# ASSEMBLY

FIG. 4



- 1 - Upper Handle (1)
- 2 - Main Unit (1)
- 3 - Middle Handle (1)
- 4 - M8x50 Screw (4)
- 5 - Handle Locking Knob (4)

- 6 - Chute Adjustment Rod (1)
- 7 - Chute Adjustment Handle (1)
- 8 - Cable Clip (1)
- 9 - Cable Strain Relief (1)

## REMOVING CARTON CONTENTS

**⚠ WARNING** This product requires assembly. Do not attempt to operate this product if any items in the **INCLUDED LIST** are already assembled when you remove the carton contents. These items are not assembled by the manufacturer and should require customer assembly. Using an improperly assembled product can be hazardous and could result in serious personal injury.

- Carefully open the carton.
- Remove and inspect the carton contents. Verify that all the items in the **INCLUDED LIST** are present and undamaged.
- Recycle or dispose of the packaging materials properly.

## INCLUDED LIST

See Figure 4.

Upper handle (1), main unit (1) with cotter pin on back (1), middle handle (1), M8x50 Screw (4), handle locking knob (4), chute adjustment rod (1) with M4x14 screw (1), chute adjustment handle (1), cable clip (1), and cable strain relief (1).

**If any parts are missing, contact our service team at [service@wpowerreq.com](mailto:service@wpowerreq.com) or call 1-855-944-3571.**

# ASSEMBLY

**⚠ WARNING** Do not alter or modify this product unless instructed otherwise in this manual or by the manufacturer. Do not use attachments or accessories that are not recommended for use with this product. Making unauthorized modifications and using incompatible accessories can damage the unit and may void your warranty.

**⚠ WARNING** Do not connect to power supply until assembly is complete. Failure to comply could result in accidental starting and possible serious personal injury.

## INSTALLING LOWER HANDLE

See Figure 5.

**NOTICE** Do not allow the starter cable to become pinched or trapped when aligning the handles.

- Slide the cable strain relief (1) onto the middle handle (2).
- Attach the middle handle (2) to the snow thrower body using two handle locking knobs (3) and two M8x50 screws (4).
- The middle handle should be installed on the outside of the snow thrower body as shown in Fig. 5.

## INSTALLING UPPER HANDLE

See Figure 6.

- Install the upper handle (1) onto the middle handle using two handle locking knobs (2) and two M8x50 screws (3).
- The upper handle should be installed on the outside of the middle handle as shown in Fig. 6.

## INSTALLING POWER CORD RETAINER

See Figure 7.

- Slip the power cord through the cable clip (1) and secure the cable clip to the middle handle on the same side as the safety lock button as shown in Fig. 7.

FIG. 5

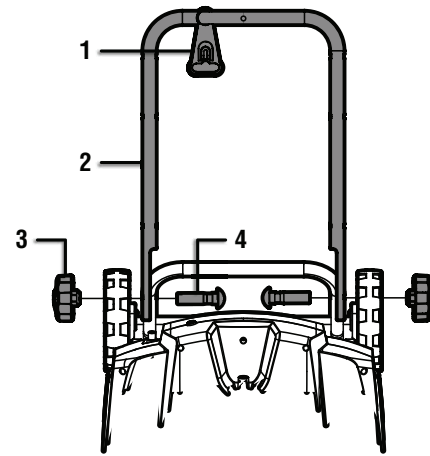


FIG. 6

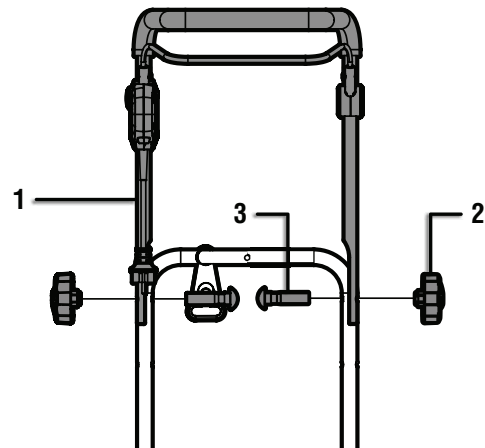
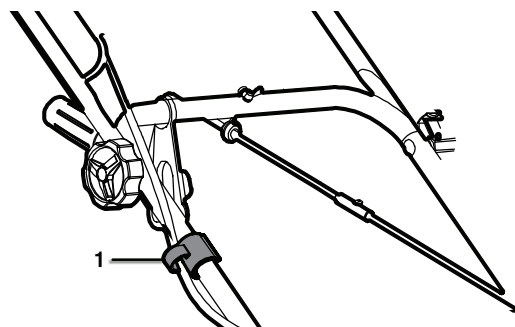


FIG. 7



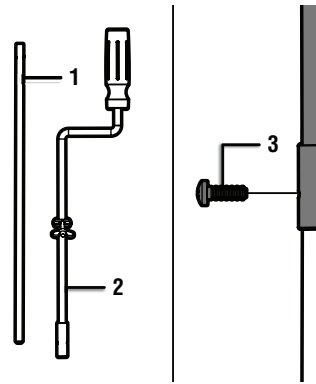
# ASSEMBLY

## CONNECTING CHUTE ROTATION HANDLE

See Figure 8.

- Attach the chute adjustment rod (1) to the chute adjustment handle (2) using the included M4x14 screw (3).

FIG. 8

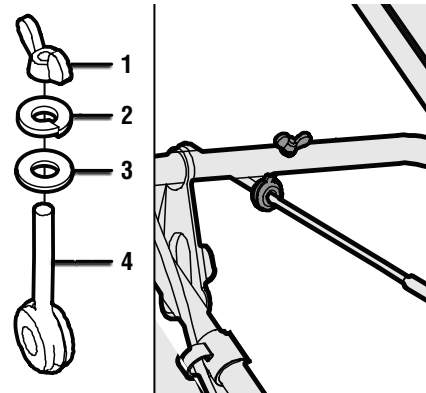


## INSTALLING CHUTE ROTATION HANDLE TO FRAME

See Figure 9.

- Unscrew the thumb screw (1), lock washer (2), and washer (3) from the bolt (4) that came pre-installed on the chute adjustment handle.
- Fit the bolt through the hole in the center of the middle handle and secure it using the thumb screw, lock washer, and washer as shown in Fig. 9.

FIG. 9

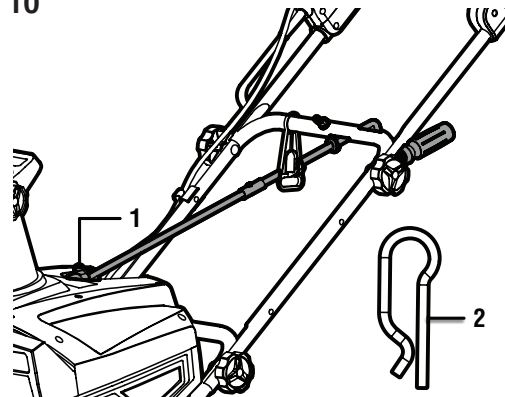


## INSTALLING CHUTE ROTATION HANDLE TO MOUNTING BRACKET

See Figure 10.

- Fit the opposite end of the chute adjustment rod into the mounting bracket (1) on the back of the snow blower body. Make sure that the hole in the chute adjustment rod aligns with the holes in the mounting bracket. Secure together using the included cotter pin (2).
- Turn the chute adjustment handle clockwise and counterclockwise to make sure that the chute moves in the same direction.

FIG. 10



# ASSEMBLY

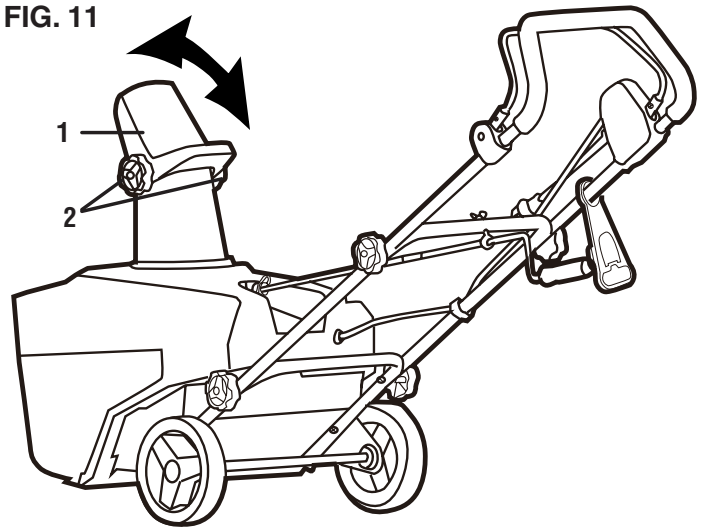
## ADJUSTING THE CHUTE DEFLECTOR

See Figure 11.

**⚠ WARNING** Never adjust the chute deflector when the auger on the snow blower is running.

- To adjust the chute deflector loosen the chute deflector adjustment knobs (2).
- Tilt the discharge chute (1) to the desired angle.
- Tighten chute adjustment knobs (2).

FIG. 11



# OPERATION

**⚠ WARNING** Do not allow familiarity with products to make you careless. Remember that a careless fraction of a second is sufficient to inflict serious injury.

**⚠ WARNING** Always wear eye protection with side shields marked to comply with ANSI Z87.1. Failure to do so could result in objects being thrown into your eyes resulting in possible serious injury.

**⚠ WARNING** Do not use any attachments or accessories not recommended by the manufacturer of this product. The use of attachments or accessories not recommended can result in serious personal injury.

**NOTICE** Before each use, inspect the entire product for damaged, missing, or loose parts such as screws, nuts, bolts, caps, etc. Tighten securely all fasteners and caps and do not operate this product until all missing or damaged parts are replaced. Please contact customer service or a qualified service center for assistance.

**⚠ WARNING** Always disconnect snow blower from power supply when you are assembling parts, making adjustments, cleaning, or when not in use. This will prevent accidental starting that could cause serious personal injury.

# OPERATION

**⚠ WARNING** Do not allow familiarity with products to make you careless. Remember that a careless fraction of a second is sufficient to inflict serious injury.

**⚠ WARNING** Always wear eye protection with side shields marked to comply with ANSI Z87.1. Failure to do so could result in objects being thrown into your eyes resulting in possible serious injury.

**⚠ WARNING** Do not use any attachments or accessories not recommended by the manufacturer of this product. The use of attachments or accessories not recommended can result in serious personal injury.

**NOTICE** Before each use, inspect the entire product for damaged, missing, or loose parts such as screws, nuts, bolts, caps, etc. Tighten securely all fasteners and caps and do not operate this product until all missing or damaged parts are replaced. Please contact customer service or a qualified service center for assistance.

**⚠ WARNING** Always disconnect snow blower from power supply when you are assembling parts, making adjustments, cleaning, or when not in use. This will prevent accidental starting that could cause serious personal injury.

## CONNECTING TO POWER SUPPLY

See Figure 12.

This product is designed with a cord retainer that prevents the extension cord from coming loose while in use.

- Form a loop at the end of the extension cord.
- Insert the loop of the extension cord through the bottom opening of the power cord retainer.
- Place the loop over the hook. Lightly pull on the cord to reduce the slack and secure it over the hook.
- Plug the snow blower into the extension cord.

NOTE: Removing all excess cord slack will prevent the plug from loosening from the extension cord.

## STARTING AND STOPPING THE SNOW BLOWER

See Figure 13.

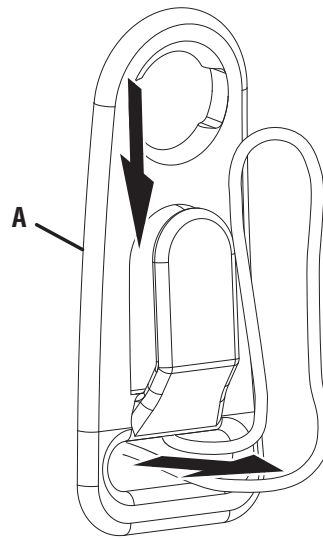
To start the motor:

- Connect the snow blower to power supply.

**NOTICE** Always secure extension cord to the unit by using the power cord retainer. Failure to use the power cord retainer may result in damage to the snow blower and/or extension cord.

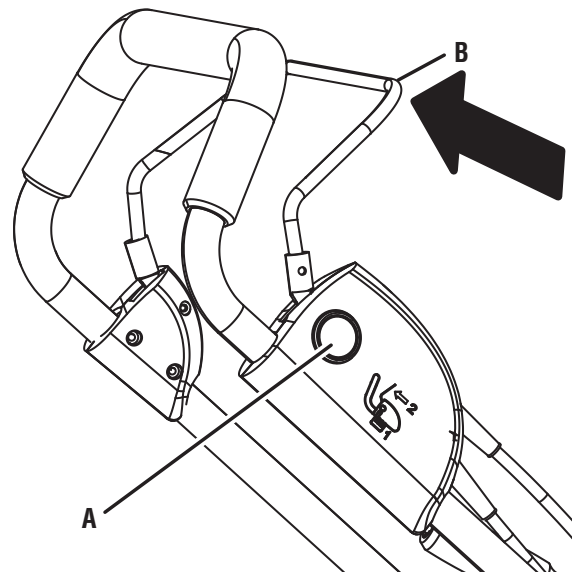
- Press and hold the start button.

FIG. 12



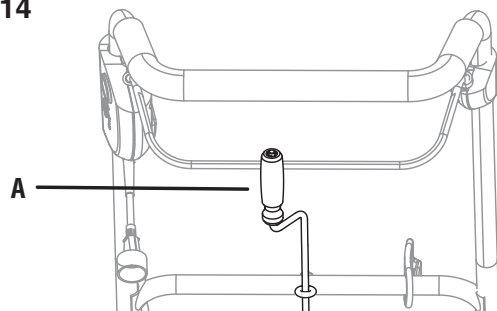
A - Power cord retainer  
B - Extension cord

FIG. 13



A - Start button  
B - Bail

FIG. 14



A - Chute adjustment handle

# OPERATION

---

- Pull and hold the bail against the handle to start the unit. Release the button but continue holding the bail to the handle.

## To stop the motor:

- Release the bail.

## ADJUSTING THE DISCHARGE CHUTE

See Figure 14.

The chute can be adjusted from left to right to change the direction the snow is thrown.

- Rotate the chute adjustment handle counterclockwise to direct the snow to the left of the unit.
- Rotate the chute adjustment handle clockwise to direct the snow to the right of the unit.

## OPERATING TIPS

**WARNING** Never use snow blower on frozen lakes, rivers, or similar surfaces. Death or serious injury could occur if the ice breaks.

**WARNING** Never use the snow blower on a rooftop or other unstable surface, which can result in death or serious personal injury

**WARNING** Do not use snow blower on ice, which can cause the operator to slip and fall, resulting in possible serious personal injury.

**WARNING** Do not wear loose clothing, scarves, or jewelry. They can be caught in moving parts and cause death or serious personal injury.

**WARNING** Keep all snow discharge pointed away from all electrical devices to reduce the risk of electrocution or electric shock.

# MAINTENANCE

---

**WARNING** Before inspecting, cleaning or servicing the unit, stop the motor, wait for all moving parts to stop, and disconnect from power supply. Failure to follow these instructions can result in serious personal injury or property damage.

**WARNING** Always wear eye protection with side shields marked to comply with ANSI Z87.1. Failure to do so could result in objects being thrown into your eyes resulting in possible serious injury.

**WARNING** When servicing, use only authorized replacement parts. Use of any other parts can create a hazard or cause product damage.

**NOTICE** Periodically inspect the entire product for damaged, missing, or loose parts such as screws, nuts, bolts, caps, etc. Tighten securely all fasteners and caps and do not operate this product until all missing or damaged parts are replaced. Please contact customer service or a qualified service center for assistance.

## GENERAL MAINTENANCE

Avoid using solvents when cleaning plastic parts. Most plastics are susceptible to damage from various types of commercial solvents and may be damaged by their use. Use clean cloths to remove dirt, dust, oil, grease, etc.

**WARNING** Do not at any time let brake fluids, gasoline, petroleum-based products, penetrating oils, etc., come in contact with plastic parts. Chemicals can damage, weaken, or destroy plastic which can result in serious personal injury.

## LUBRICATION

All of the bearings in this product are lubricated with a sufficient amount of high grade lubricant for the life of the unit under normal operating conditions. Therefore, no further bearing lubrication is required.



# MAINTENANCE

## STORING THE SNOW BLOWER



### CAUTION

Make sure all melted snow that may drip from the snow blower is properly wiped up to prevent a slip and fall hazard.

- Wipe the snow blower with a clean dry cloth.
- Check all nuts, bolts, knobs, screws, fasteners, etc., for tightness.

- Inspect moving parts for damage, breakage, and wear. Have repairs made on any damaged or missing parts.
- Loosen the handle knobs and lower the upper handle assembly.
- Store snow blower indoors in a clean, dry place out of the reach of children.
- Do not store near corrosive materials such as fertilizer or rock salt.

## REPLACEMENT PARTS

The following replacement parts are available by contacting Westinghouse customer service toll-free at **1 (855) 944-3571**.

Auger .....	WSnow20-068
Belt .....	WSnow20-052
Scraper .....	WSnow20-002

## TROUBLESHOOTING

PROBLEM	POSSIBLE CAUSE	CORRECTION
Snow blower won't start	Snow blower is not plugged in.	Connect snow blower to 120V power supply. Be sure the snow blower plug is properly connected to the extension cord.
	The start button was not depressed.	Press and hold the start button before engaging the bale.
The motor is on but the auger does not turn.	The drive belt may be worn or broken.	Replace the drive belt.
A layer of snow remains on the ground after passing over it.	The auger or scraper may be worn.	Have the auger or scraper replaced by an authorized service center.



[www.WestinghouseOutdoorPower.com](http://www.WestinghouseOutdoorPower.com)

Service Hotline (855) 944-3571

777 Manor Park Drive, Columbus, OH 43228

® and Westinghouse are trademarks of Westinghouse Electric Corporation.

Used under license by Westinghouse Outdoor Power Equipment.

© 2024 Westinghouse Outdoor Power Equipment, All Rights Reserved.