

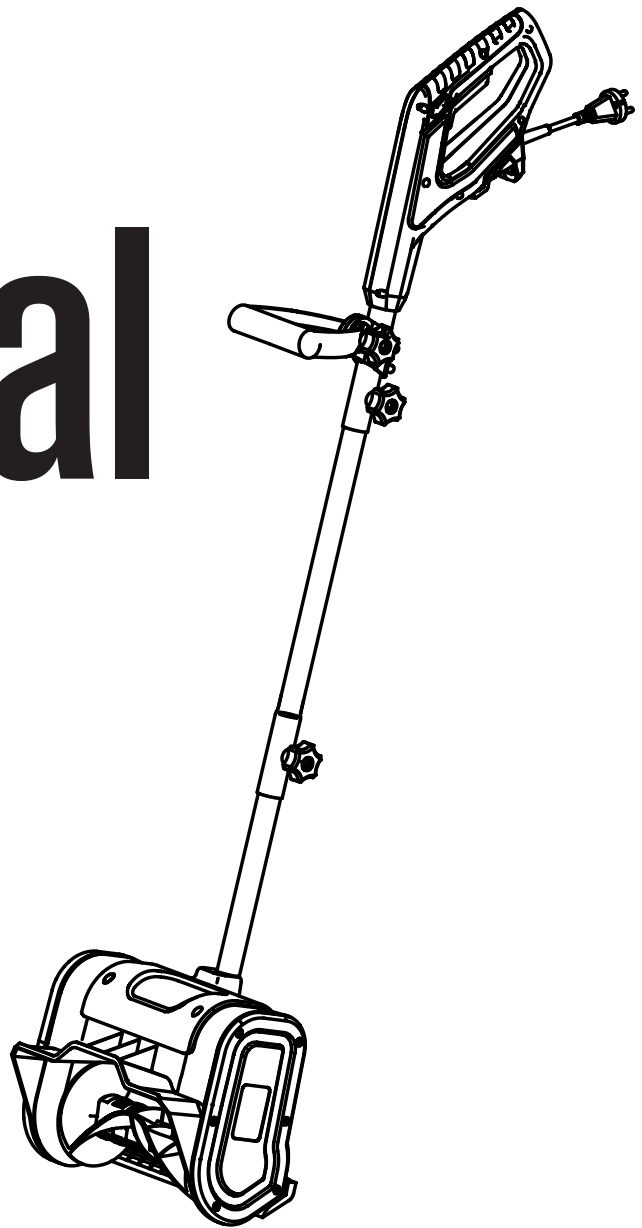


# User Manual

**WSnow11S**

**11-in. Snow Shovel**

SPEG03



**DO NOT RETURN THIS PRODUCT TO THE STORE**

If you have questions or need assistance, please call customer service at 855-944-3571.

# TABLE OF CONTENTS

Introduction.....	2-3
Safety .....	4-6
Electrical Safety.....	6-7
Components .....	8
Assembly .....	9-10
Operation.....	11-13
Maintenance .....	13-14
Troubleshooting .....	14
Service Hot Line/Company Address.....	Back Page

## INTRODUCTION

**⚠ WARNING** Operating, servicing, and maintaining this equipment may expose you to chemicals which are known to the State of California to cause cancer and birth defects or other reproductive harm. To minimize exposure, wear gloves or wash your hands frequently when servicing this equipment. For more information go to [www.P65warnings.ca.gov](http://www.P65warnings.ca.gov).

### DISCLAIMERS

All information, illustrations, and specifications in this manual were in effect at the time of publishing. The illustrations used in this manual are intended as representative reference views only. We reserve the right to make any specification or design change without notice.

### ALL RIGHTS RESERVED

All rights reserved. No reproduction allowed in any form without written permission from Westinghouse Outdoor Power Equipment.

**⚠ DANGER** Read this manual before using or performing maintenance on this product. Failure to follow the instructions and safety precautions in this manual can result in serious injury or death.

### UPDATES

The latest User Manual for your Westinghouse products can be found under our support tab. [wpowereq.com/pages/manuals](http://wpowereq.com/pages/manuals)

Or scan the following QR code with your smartphone camera to be directed to the link.



### PRODUCT REGISTRATION

For trouble-free warranty coverage, it is important to register your Westinghouse product.



You can register by:

- Completing and mailing the product registration card included in the carton.
- Registering your product on-line at: [wpowereq.com/pages/warranty-registration](http://wpowereq.com/pages/warranty-registration)
- Scanning the above QR code with your smartphone camera to be directed to the mobile registration link.

#### For Your Records

Date of Purchase: \_\_\_\_\_  
Model Number: \_\_\_\_\_  
Serial Number: \_\_\_\_\_  
Place of Purchase: \_\_\_\_\_

- Sending the following product information to:  
Westinghouse Outdoor Power  
Warranty registration  
777 Manor Park Drive  
Columbus, OH 43228

**IMPORTANT:** Keep your purchase receipt for trouble-free warranty coverage.

# INTRODUCTION

---

## SPECIFICATIONS

AC Voltage .....	120V/60Hz, 10 Amps	Maximum Snow Intake Height.....	6 in. (15.2 cm)
Clearing Width .....	11 in. (27.9 cm)	Machine Weight .....	9.24 lbs. (5.2 kg)
Maximum Throwing Distance .....	up to 20 ft. (6.1 m)		

**NOTICE** This product is designed and rated for continuous operation at ambient temperatures above 23°F (-5°C). If needed, this product can be operated in extremely cold temperatures for short periods. If the product is exposed to extreme temperatures during storage, it should be brought back within the optimal temperature range before operation.

**NOTICE** Thank you for choosing Westinghouse! PLEASE READ BEFORE RETURNING THIS PRODUCT FOR ANY REASON.  
If you have a question or experience a problem with your Westinghouse purchase, call us at 1-855-944-3571 to speak with an agent.  
SAVE THIS MANUAL FOR FUTURE REFERENCE.

**HAVE QUESTIONS?**  
**Email us at [service@wpowerreq.com](mailto:service@wpowerreq.com)**  
**or call 1-855-944-3571**

# SAFETY

## SAFETY DEFINITIONS

The words DANGER, WARNING, CAUTION, and NOTICE are used throughout this manual to highlight important information. Make sure that the meanings of this safety information is known to all who operate, perform maintenance on, or are near the generator.



This safety alert symbol appears with most safety statements. It means attention, become alert, your safety is involved! Please read and abide by the message that follows the safety alerts symbol.

**DANGER** Indicates a hazardous situation which, if not avoided, will result in death or serious injury.

**WARNING** Indicates a hazardous situation which, if not avoided, could result in death or serious injury.

**CAUTION** Indicates a hazardous situation which, if not avoided, could result in minor or moderate injury.

**NOTICE** Indicates a situation which can cause damage to the generator, personal property, and/or the environment, or cause the equipment to operate improperly.

**NOTE:** Indicates a procedure, practice or condition that should be followed for the generator to function in the manner intended.


## SAFETY SYMBOLS

Follow all safety information contained in this user's manual as well as the information on the product labeling.

SYMBOL	DESCRIPTION
	Safety Alert Symbol. Indicates a potential personal injury hazard.
	Read Operator's Manual. To reduce the risk of injury, user must read and understand operator's manual before using this product.
	<b>WARNING!</b> Electrical shock hazard.

SYMBOL	DESCRIPTION
	Wet Conditions Alert. Do not expose plug to water or rain.
	<b>DANGER!</b> Cutting/dismemberment hazard. Keep feet away from the rotating paddle.
	<b>DANGER!</b> Cutting/dismemberment hazard. Keep Hands away from the rotating paddle. Do not use hands to unclog rotor housing. Stop motor before removing debris.
	Keep the flexible power supply cord away from the rotating paddle.
	Wear safety gloves during use to protect hands. Wear safety footwear at all times to provide protection against objects that may accidentally fall on feet.
	Keep bystanders and children a safe distance (at least 11 yd/10 m) away from the work area.
	<b>CAUTION!</b> Beware of stones and other foreign objects that could be thrown from the product.
	Always keep the power cable away from heat sources, oils, or sharp edges. Immediately remove plug from the mains if the cable is damaged, frayed, or entangled.
	Wear hearing and eye protection. Always wear eye protection with side shields marked to comply with ANSI Z87.1.
	<b>WARNING!</b> Turn the machine OFF and disconnect it from the power supply before inspecting, cleaning, changing accessories, or any other maintenance task.
	<b>DOUBLE INSULATED.</b> Grounding not required. When servicing, use only identical replacement parts.
	The rotating part will continuously run for several seconds after you turn off the machine.

# SAFETY

 **WARNING** READ AND UNDERSTAND ALL INSTRUCTIONS. Failure to follow all instructions listed below and on the machine may result in electric shock, fire, and/or serious personal injury.

- Know your snow shovel. Read operator's manual carefully. Learn its applications and limitations, as well as the specific potential hazards related to this snow shovel. Following this rule will reduce the risk of electric shock, fire, or serious injury.
- Do not permit children to use snow shovel. It is not a toy.
- Use only accessories that are recommended by the manufacturer for your model described in this manual. Accessories that may be suitable for one snow shovel may create a risk of injury when used on another snow shovel. Use only as described in this manual.
- Do not put any object into openings. Do not use with any opening blocked; keep free of dust, lint, hair, and anything that may reduce air flow.
- Keep hair, loose clothing, fingers, and all parts of body away from openings and moving parts.
- Make sure your extension cord is in good condition. When using an extension cord, be sure to use one heavy enough to carry the current your product will draw. A wire gauge size (A.W.G.) of at least 14 is recommended for an extension cord 50 feet or less in length. If in doubt, use the next heavier gauge. The smaller the gauge number, the heavier the cord. An undersized cord will cause a drop in line voltage resulting in loss of power and overheating.
- **WARNING:** Use outdoor extension cords marked SW-A, SOW-A, STW-A, STOW-A, SJW-A, SJTW-A, or SJTOW-A. These cords are rated for outdoor use and reduce the risk of electric shock.
- This product is designed with a cord retainer that prevents the extension cord from being pulled loose while using.
- If cord is damaged in any manner while plugged in, pull extension cord from wall receptacle.
- Don't Abuse Cord — Never carry snow shovel by cord or yank it to disconnect from receptacle. Keep cord from heat, oil, and sharp edges.
- Keep hands away from moving parts.
- Avoid Unintentional Starting – Do not carry plugged in appliance with finger on trigger. Be sure the switch trigger is not engaged before plugging in.
- Do not use tool if switch trigger does not turn it on or off. Any tool that cannot be controlled with the switch trigger is dangerous and must be repaired.
- Do not operate snow shovels in explosive atmospheres, such as in the presence of flammable liquids, gases, or dust. Snow shovels create sparks which may ignite the dust or fumes.
- Keep bystanders, children, and visitors at least 100 ft. away while operating a snow shovel. Distractions can cause you to lose control.
- If appliance is not working as it should, has been dropped, damaged, left outdoors, or dropped into water, return it to a service center.
- Stay alert, watch what you are doing and use common sense when operating a power snow shovel. Do not use snow shovel while tired, upset, or under the influence of drugs, alcohol, or medication. A moment of inattention while operating snow shovels may result in serious personal injury.
- Use safety equipment. Always wear eye protection. Dust mask, non-skid safety shoes, hard hat, or hearing protection must be used for appropriate conditions.
- Dress properly — Do not wear loose clothing, scarves, or jewelry. They can be caught in moving parts.
- Check for misalignment or binding of moving parts, breakage of parts, and any other condition that may affect the snow shovel's operation. If damaged, have the snow shovel serviced before using. Many accidents are caused by poorly maintained snow shovels.
- Keep the snow shovel and its handle dry, clean and free from oil and grease. Always use a clean cloth when cleaning. Never use brake fluids, gasoline, petroleum-based products, or any strong solvents to clean your snow shovel. Following this rule will reduce the risk of loss of control and deterioration of the enclosure plastic.
- Always wear safety glasses with side shields. Everyday glasses have only impact resistant lenses. They are NOT safety glasses. Following this rule will reduce the risk of eye injury.
- Always wear eye protection with side shields marked to comply with ANSI Z87.1 along with hearing protection when operating this equipment.
- Protect your hearing. Wear hearing protection during extended periods of operation. Following this rule will reduce the risk of serious personal injury.
- Don't expose snow shovels to rain. Water entering a snow shovel will increase the risk of electric shock.
- Wear heavy long pants, long sleeves, boots, and gloves. Avoid loose garments or jewelry that could get caught in moving parts of the machine or its motor.
- Wear rubber boots when operating the snow shovel. Protective footwear will protect your feet and improve your footing on slippery surfaces. Do not go barefoot or wear sandals.
- Keep firm footing and balance. Do not overreach. Overreaching can result in loss of balance.
- Do not operate the snow shovel in a direction that will cause snow to be thrown on people or pets. Thrown snow or other objects can cause serious personal injuries.
- Store Idle Snow shovels Indoors — When not in use, snow shovel should be stored indoors in a dry, locked up place — unplugged and out of the reach of children.
- Keep all bystanders, children, and pets at least 100 ft. away.

# SAFETY

---

- Snow shovel service must be performed only by qualified repair personnel. Service or maintenance performed by unqualified personnel may result in a risk of injury.
- When servicing a snow shovel, use only identical replacement parts. Replace or repair damaged cords. Follow instructions in the Maintenance section of this manual. Use of unauthorized parts or failure to follow Maintenance Instructions may create a risk of shock or injury.
- Never use snow shovel near fires, fireplaces, hot ashes, barbecue pits, etc. Use near fires or ashes can spread fires and result in serious injury and/or property damage.
- Never use snow shovel to spread chemicals, fertilizers, or any other toxic substances. Spreading these substances could result in serious injury to the operator or bystanders.
- Never place snow shovel on any surface, except a hard, clean surface when motor is running. Gravel, sand, and other debris can be picked up by the air inlet and thrown at the operator or bystanders, causing possible serious injuries.
- Check the work area before each use. Remove all objects such as rocks, broken glass, nails, wire, or string which can be thrown or become entangled in the machine.
- Do not use snow shovel on ice, which can cause the operator to slip and fall, resulting in possible serious personal injury.
- Never use snow shovel on frozen lakes, rivers, or similar surfaces. Serious injury or death could occur if the ice breaks.
- Never use the snow shovel on a rooftop or other unstable surface, which can result in death or serious personal injury.
- For household use only.
- Use the right appliance — Do not use the snow shovel for any job except that for which it is intended.
- Do not force the snow shovel - It will do the job better and safer at the rate for which it was designed.
- Never direct discharged material toward anyone. Avoid discharging material against a wall or obstruction. Material may ricochet back toward the operator. Stop the snow shovel when crossing gravel or rocky surfaces.
- If the snow shovel strikes a foreign object, follow these steps:
  - Release the switch trigger and wait until the unit comes to a complete stop.
  - Disconnect the snow shovel from the power supply.
  - Thoroughly inspect the snow shovel for any damage.
  - Repair any damage before restarting and continuing to operate the snow shovel.
- Do not lift up or hold the snow shovel above the ground when operating, which can result in loss of control and possible serious personal injury. Only operate the snow shovel in accordance with the operating instructions provided in this operator's manual.
- Keep guards in place and in working order.
- Disconnect the plug from power source when not in use, before servicing, and when changing accessories.
- Maintain Snow shovels With Care — Follow instructions for lubricating and changing accessories.
- **Save these instructions.** Refer to them frequently and use them to instruct others who may use this tool. If you loan someone this tool, loan them these instructions also.

# ELECTRICAL SAFETY

---

## DOUBLE-INSULATED APPLIANCES

In a double-insulated appliance, two systems of insulation are provided instead of grounding. No grounding means is provided on a double-insulated appliance, nor should a means for grounding be added to the appliance. Servicing a double-insulated appliance requires extreme care and knowledge of the system, and should be performed only by qualified service personnel at an authorized dealer.

Replacement parts for a double-insulated appliance must be identical to the parts they replace. A double-insulated appliance is marked with the words "Double Insulation" or "Double Insulated." The symbol (square within a square) may also be marked on the appliance.

This electric snow shovel is double-insulated, eliminating the need for a separate grounding system. Use only identical replacement parts. Read the instructions before servicing double-insulated appliances. Use this snow shovel only as described in this manual.



# ELECTRICAL SAFETY

## EXTENSION CORDS

See Figure 1.

When using a power tool at a considerable distance from a power source, be sure to use an extension cord that has the capacity to handle the current the product will draw. An undersized cord will cause a drop in line voltage, resulting in overheating and loss of power. Use the chart to determine the minimum wire size required in an extension cord. Only round jacketed cords listed by Underwriter's Laboratories (UL) should be used.

When working outdoors with a product, use an extension cord that is designed for outside use. This type of cord is designated with "WA" or "W" on the cord's jacket. Be sure to use a heavy gauge (A.W.G.) wire for your product based on the chart below. If in doubt, use the next heavier gauge. (smaller gauge numbers equal heavier cords). Using an undersized cord will cause a drop in line voltage and result in loss of power and overheating.

\*\*Ampere rating (on product data plate)

Cord Length	Wire Size (A.W.G.)					
	0-2.0	2.1-3.4	3.5-5.0	5.1-7.0	7.1-12.0	12.1-16.0
25'	16	16	16	16	14	14
50'	16	16	16	14	14	12

\*\*Used on 12 gauge – 20 amp circuit.  
NOTE: AWG = American Wire Gauge

Before using any extension cord, inspect it for loose or exposed wires and cut or worn insulation.

It is possible to tie the extension cord and power cord in a knot to prevent them from becoming disconnected during use. Make the knot as shown in figure 1, then connect the plug end of the power cord into the receptacle end of the extension cord. This method can also be used to tie two extension cords together.

**⚠ WARNING** Keep the extension cord clear of the working area. Position the cord so that it will not get caught on lumber, tools, or other obstructions while you are working with a power tool. Failure to do so can result in serious personal injury.

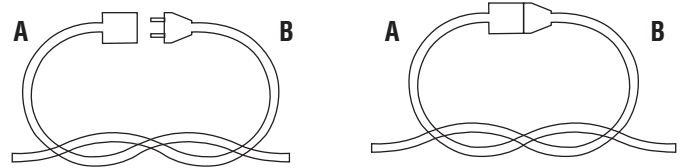
**⚠ WARNING** Check extension cords before each use. If damaged replace immediately. Never use the product with a damaged cord since touching the damaged area could cause electrical shock resulting in serious injury.

## ELECTRICAL CONNECTION

This product has a precision-built electric motor. It should be connected to a power supply that is **nominal 120V/60Hz AC (typical U.S. household circuit)**. Do not operate this product on direct current (DC). A substantial voltage drop will cause a loss of power and the motor will overheat. If the product does not operate when plugged into an outlet, double-check the power supply.

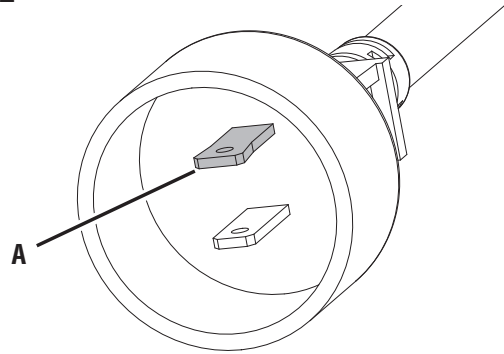
FIG. 1

TIE CORDS AS SHOWN



A - Extension cord  
B - Appliance cord

FIG. 2



A - Polarized blade

## SPEED AND WIRING

The speed is not constant and decreases under a load or with lower voltage. For voltage, the wiring in a shop is as important as the motor's horsepower rating. A line intended only for lights cannot properly carry a power tool motor. Wire that is heavy enough for a short distance will be too light for a greater distance. A line that can support one power tool may not be able to support two or three tools.

## POLARIZED PLUG

See Figure 2.

To reduce the risk of electric shock, this product has a polarized plug featuring one blade that is wider than the other. Do not modify the plug provided. The plug will fit into a polarized extension cord only one way. Use only a polarized UL-, CSA-, or ETL-listed extension cord when using this snow shovel. If the plug does not fully fit into the extension cord, reverse the plug. If the plug still does not fit, obtain a correct polarized extension cord. A polarized extension cord will require the use of a polarized wall outlet.

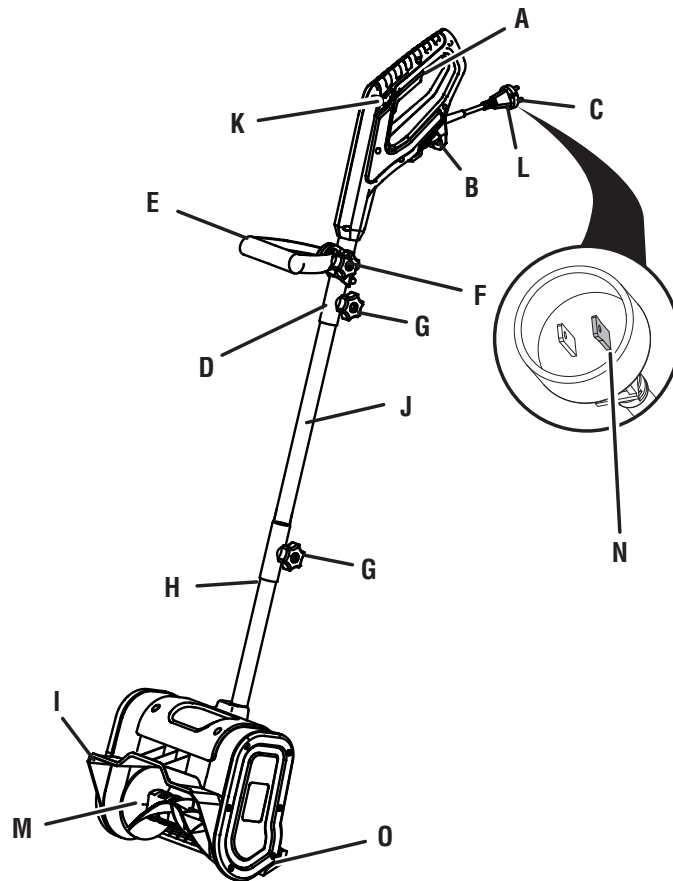
**⚠ WARNING** Improper installation of a non-polarized extension cord increases the risk of electric shock.

Repair or replace a damaged or worn cord immediately.

This product is for use on a nominal 120 V circuit and has a polarized plug similar to the plug illustrated in figure 2. Only connect the product to an extension cord having the same configuration as the plug. Do not use an adapter with this product.

# COMPONENTS

FIG. 3



- A - Start trigger
- B - Power cord retainer
- C - Power cord
- D - Upper shaft
- E - Assist handle

- F - Assist handle lock knob
- G - Locking knobs
- H - Lower shaft
- I - Chute deflector
- J - Middle shaft

- K - Trigger lockout button
- L - 120V AC plug connector
- M - Auger
- N - Polarized blade
- O - Scraper

## UNDERSTANDING YOUR SNOW SHOVEL

See Figure 3.

To reduce the risk of personal injury and product failure, read and understand the information in this user's manual as well as the information on the product labeling.

### ASSIST HANDLE

The assist handle allows for easy maneuvering of the snow shovel and for directing the discharge of the snow.

## AUGER

The large auger on this compact, lightweight product allows it to take a big bite of snow up to 6 inches deep and features an 11-inch clearing width.

### POWER CORD RETAINER

The power cord retainer helps control the safe positioning of the attached power cord and helps prevent the accidental disconnection of the attached extension cord.



# ASSEMBLY

## REMOVING CARTON CONTENTS

**⚠ WARNING** This product requires assembly. Do not attempt to operate this product if any items in the **INCLUDED LIST** are already assembled when you remove the carton contents. These items are not assembled by the manufacturer and should require customer assembly. Using an improperly assembled product can be hazardous and could result in serious personal injury.

- Carefully open the carton.
- Remove and inspect the carton contents. Verify that all the items in the **INCLUDED LIST** are present and undamaged.
- Recycle or dispose of the packaging materials properly.

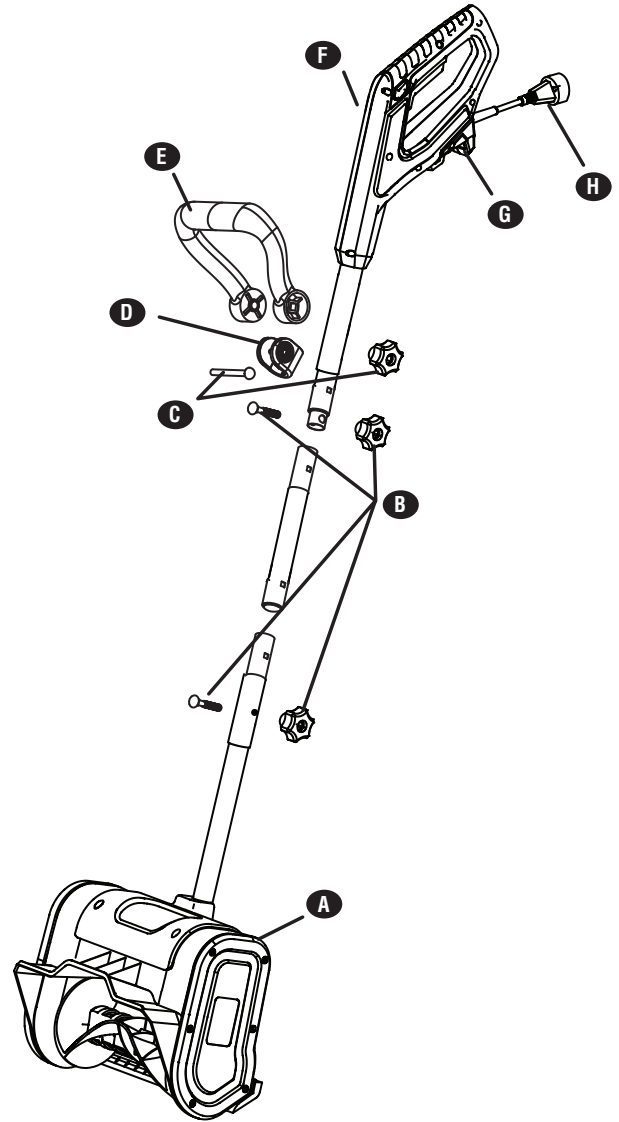
### INCLUDED LIST

Electric snow shovel, bolt and knob for connecting shaft, assist handle, assist handle mount, assist handle lock knob and bolt, and user manual.

**If any parts are missing, contact our service team at [service@wpowereq.com](mailto:service@wpowereq.com) or call 1-855-944-3571.**

**⚠ WARNING** Do not alter or modify this product unless instructed otherwise in this manual or by the manufacturer. Do not use attachments or accessories that are not recommended for use with this product. Making unauthorized modifications and using incompatible accessories can damage the unit and may void your warranty.

**⚠ WARNING** Do not connect to power supply until assembly is complete. Failure to comply could result in accidental starting and possible serious personal injury.



- A - Snow shovel assembly
- B - Shaft lock knobs and bolts
- C - Handle adjustment mount knob and bolt,
- D - Handle adjustment mount
- E - Assist handle
- F - Upper handle assembly
- G - Extension cord retainer
- H - Power cord connector

### **NOT SHOWN**

User manual

# ASSEMBLY

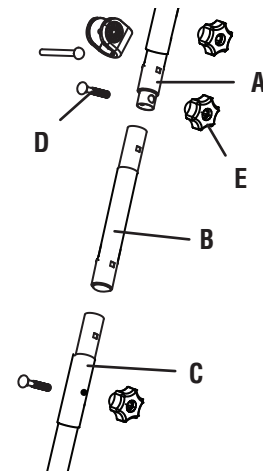
## CONNECTING UPPER, MIDDLE AND LOWER SHAFTS

FIG. 5

See Figure 5.

- Join the upper (A), middle (B), and lower shaft (C).
- Align the holes on the shafts being certain that the handle assembly is in the correct position and the wires aren't twisted.
- Insert the bolt (D) through the holes on the shafts.
- Secure the shafts with the lock knob (E) by turning it clockwise.

NOTE: Be careful not to over tighten the lock knob.



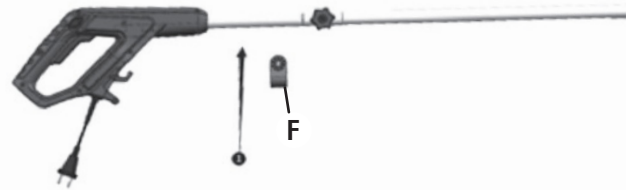
## INSTALLING THE ASSIST HANDLE

See Figure 6.

- Slide the handle mount (F) over the shaft.
- Slide the assist handle (G) from the top being sure to align the holes of the handle to the holes on the handle mount.
- Insert the bolt (H) through the holes in the assist handle and mount.
- Thread the lock knob (I) onto the bolt by turning clockwise.

NOTE: Be careful not to over tighten the lock knob.

FIG. 6



## ADJUSTING THE ASSIST HANDLE

See Figure 7.

The assist handle adjusts forward and backward to allow the user the most comfortable operating position.

NOTE: Never adjust the assist handle while the snow shovel is in operation. Be sure the snow shovel is in a comfortable operating position before connecting the power cord.

- Loosen the lock knob (K) by turning counterclockwise.
- Adjust the assist handle (J) forward or back to the desired position.
- Tighten the lock knob by turning clockwise.

NOTE: Be sure the lock knob is secure to prevent the assist handle from moving during operation.

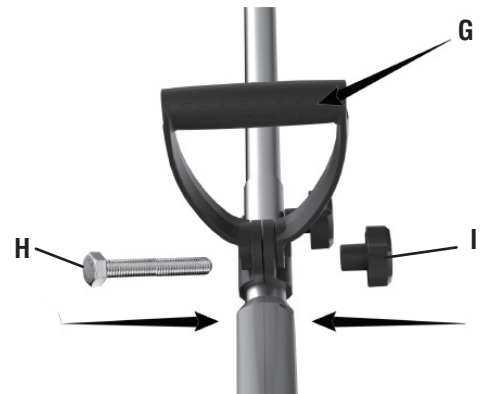
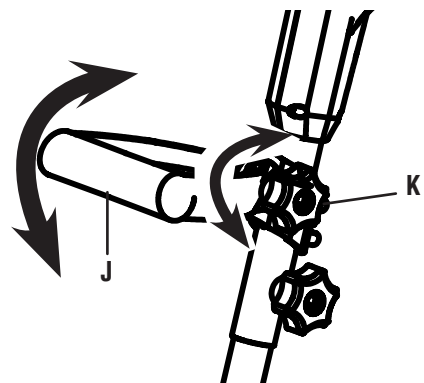


FIG. 7



# OPERATION

**⚠ WARNING** Do not allow familiarity with products to make you careless. Remember that a careless fraction of a second is sufficient to inflict serious injury.

**⚠ WARNING** Always wear eye protection with side shields marked to comply with ANSI Z87.1. Failure to do so could result in objects being thrown into your eyes resulting in possible serious injury.

**⚠ WARNING** Do not use any attachments or accessories not recommended by the manufacturer of this product. The use of attachments or accessories not recommended can result in serious personal injury.

**⚠ WARNING** Always disconnect snow shovel from power supply when you are assembling parts, making adjustments, cleaning, or when not in use. This will prevent accidental starting that could cause serious personal injury.

**NOTICE** Before each use, inspect the entire product for damaged, missing, or loose parts such as screws, nuts, bolts, caps, etc. Tighten securely all fasteners and caps and do not operate this product until all missing or damaged parts are replaced. Please contact customer service or a qualified service center for assistance.

## CONNECTING TO POWER SUPPLY

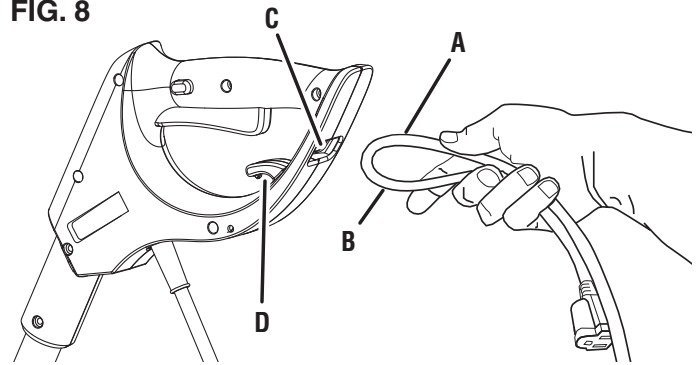
See Figures 8 - 9.

This product is designed with a cord retainer that prevents the extension cord from coming loose while in use.

- Form a loop with the extension cord.
- Insert the loop of the extension cord through the opening in the back of the handle.
- Place the loop over the hook. Lightly pull on the cord to reduce the slack and secure it over the hook.
- Plug the snow shovel into the extension cord.

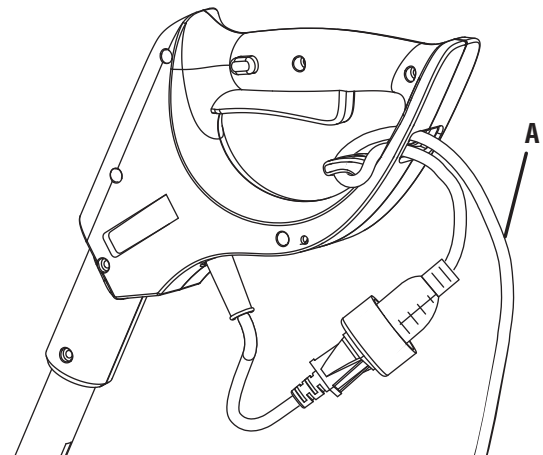
NOTE: Removing excess cord slack will help prevent the plug from loosening from the extension cord.

FIG. 8



- A - Loop
- B - Extension cord
- C - Opening
- D - Cord retainer hook

FIG. 9



- A - Extension cord

# OPERATION

## STARTING AND STOPPING THE SNOW SHOVEL

See Figure 10.

### To start the motor:

- Connect the snow shovel to power supply.

**NOTICE** Always secure extension cord to the unit by using the power cord retainer. Failure to use the power cord retainer may result in damage to the snow shovel and/or extension cord.

- Press and hold the trigger lockout button with your thumb.
- Squeeze the switch trigger.

**NOTE:** Once the snow shovel powers on, you can release the safety lock button.

### To stop the motor:

- Release the switch trigger.

## OPERATING TIPS

**WARNING** Never use snow shovel on frozen lakes, rivers, or similar surfaces. Death or serious injury could occur if the ice breaks.

**WARNING** Never use the snow shovel on a rooftop or other unstable surface, which can result in death or serious personal injury

**WARNING** Do not use snow shovel on ice, which can cause the operator to slip and fall, resulting in possible serious personal injury.

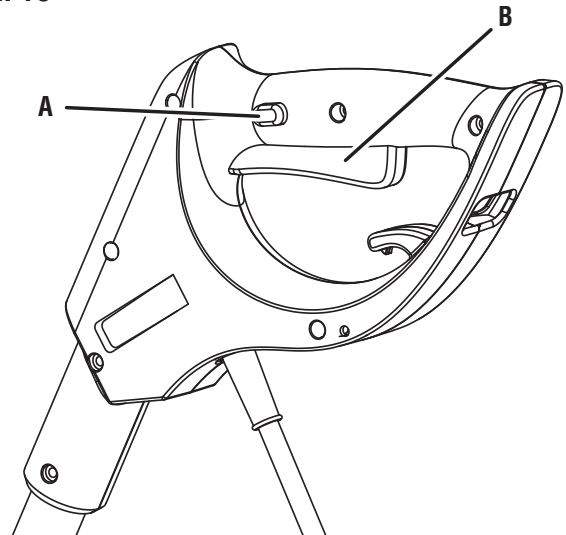
**WARNING** Do not wear loose clothing, scarves, or jewelry. They can be caught in moving parts and cause death or serious personal injury.

**WARNING** Keep all snow discharge pointed away from all electrical devices to reduce the risk of electrocution or electric shock.

**WARNING** Never point the snow shovel or discharge chute in the direction of people or pets. Thrown snow or other objects can cause serious personal injuries.

**WARNING** Make sure the area to be cleared is free of stones, sticks, wires, gravel, and other objects that could be accidentally thrown by the snow shovel in any direction and cause serious personal injury to the operator and others.

FIG. 10



A - Trigger lockout button  
B - Switch trigger

- Take notice of the direction of the wind before beginning. When possible, discharge snow in the same direction as the wind to prevent snow from being thrown back into your face.
- If the unit comes in contact with any type of obstruction or debris during use, stop the snow shovel, disconnect from the power supply, remove the obstruction, and inspect the unit carefully for damage before proceeding.

**WARNING** Never reach into the auger or place any body part in front of the snow shovel when the unit is operating or when the unit is plugged in. Always ensure all moving parts have stopped and the snow shovel has been unplugged before clearing any obstructions. Failure to follow these instructions can result in serious personal injury.

- Some parts of the snow shovel can freeze under extreme weather conditions. Do not attempt to operate the unit with frozen parts.
- Start the electric snow shovel and tilt it forward until the scraper blade at the base of the unit contacts the ground. Push the shovel forward at a comfortable rate, yet slow enough to clear the path completely. The clearing width of the snow shovel and the depth of snowfall should dictate your forward speed.
- Direct the snow discharge to the right or to the left by holding the electric snow shovel at a slight angle.
- To remove snow most efficiently, throw the snow downwind and slightly overlap each swath.
- If you need to clear snow from a crushed rock or gravel surface, push down on the handle to clear the scraper of any loose material that the rotating paddles could throw.
- This electric snow shovel cuts a path 11 in. (27,9 cm) wide and up to 6 in. (15,2 cm) deep in one pass.

# OPERATION

---

- When clearing deeper drifts, hold the electric snow shovel by the upper and lower handles and use a swinging or sweeping motion. Remove up to 6 in. (15,2 cm) of snow with each pass and repeat as many times as needed.
- Keep the cord clear of obstructions, sharp objects and the rotating paddles. Do not pull sharply on the cord or abuse it in any manner. Frequently inspect the cord for signs of damage. If damage is found, replace the cord immediately.
- Disconnect the extension cord after using the electric snow shovel. Hang the extension cord with the shovel so it will not be misplaced or damaged.
- When finished, allow the motor to run for an additional few minutes, then turn the chute rotation lever back and forth several times to remove any remaining snow from the chute.

# MAINTENANCE

---

**⚠ WARNING** Before inspecting, cleaning or servicing the unit, stop the motor, wait for all moving parts to stop, and disconnect from power supply. Failure to follow these instructions can result in serious personal injury or property damage.

**⚠ WARNING** Always wear eye protection with side shields marked to comply with ANSI Z87.1. Failure to do so could result in objects being thrown into your eyes resulting in possible serious injury.

**⚠ WARNING** When servicing, use only authorized replacement parts. Use of any other parts can create a hazard or cause product damage.

**NOTICE** Periodically inspect the entire product for damaged, missing, or loose parts such as screws, nuts, bolts, caps, etc. Tighten securely all fasteners and caps and do not operate this product until all missing or damaged parts are replaced. Please contact customer service or a qualified service center for assistance.

## GENERAL MAINTENANCE

Avoid using solvents when cleaning plastic parts. Most plastics are susceptible to damage from various types of commercial solvents and may be damaged by their use. Use clean cloths to remove dirt, dust, oil, grease, etc.

**⚠ WARNING** Do not at any time let brake fluids, gasoline, petroleum-based products, penetrating oils, etc., come in contact with plastic parts. Chemicals can damage, weaken, or destroy plastic which can result in serious personal injury.

## LUBRICATION

All of the bearings in this product are lubricated with a sufficient amount of high grade lubricant for the life of the unit under normal operating conditions. Therefore, no further bearing lubrication is required.

## STORING THE SNOW SHOVEL

**⚠ CAUTION** Make sure all melted snow that may drip from the snow shovel is properly wiped up to prevent a slip and fall hazard.

- Wipe the snow shovel with a clean dry cloth.
- Check all nuts, bolts, knobs, screws, fasteners, etc., for tightness.
- Inspect moving parts for damage, breakage, and wear. Have repairs made on any damaged or missing parts.
- Loosen the handle knobs and lower the upper handle assembly.
- Store snow shovel indoors in a clean, dry place out of the reach of children.
- Do not store near corrosive materials such as fertilizer or rock salt.

# TROUBLESHOOTING

---

PROBLEM	POSSIBLE CAUSE	CORRECTION
Snow shovel won't start	Snow shovel is not plugged in.	Connect snow shovel to 120V power supply. Be sure the snow shovel plug is properly connected to the extension cord.
	The trigger lockout button was not depressed.	Press and hold the trigger lockout button before squeezing the switch trigger.
The motor is on but the auger does not turn.	The drive belt may be worn or broken.	Replace the drive belt.
A layer of snow remains on the ground after passing over it.	The auger or scraper may be worn.	Have the auger or scraper replaced by an authorized service center.





[www.WestinghouseOutdoorPower.com](http://www.WestinghouseOutdoorPower.com)

Service Hotline (855) 944-3571

777 Manor Park Drive, Columbus, OH 43228

® and Westinghouse are trademarks of Westinghouse Electric Corporation.

Used under license by Westinghouse Outdoor Power Equipment.

© 2024 Westinghouse Outdoor Power Equipment, All Rights Reserved.