

FIXED HORIZONTAL WINDOW GUARD

INSTALLATION INSTRUCTIONS

⚠ WARNING

Blocks Escape in Fire and Emergency

Do **NOT** install window fall prevention device on:

- Emergency escape and rescue windows
- Fire escape windows
- Windows at or below 75 feet above ground level
- Use of this window fall prevention device on escape and rescue windows may **result in death by entrapment** during fire or emergency.
- **Check building and fire codes** before installing window fall prevention devices. Contact local building code department or fire department for specific codes.



Possible Fall Hazard

- Young children may fall out the window if the window fall prevention device is not install correctly.
 - Install the device so that a rigid 4" diameter sphere does not pass through any spaces in the window opening after the window fall prevention device is in place.
- Young children may fall out of the window if all installation instructions are not followed:
 - Use recommended materials and techniques
 - Make sure the fall prevention device is securely attached to the window frame
 - Make sure the window frame is in good condition



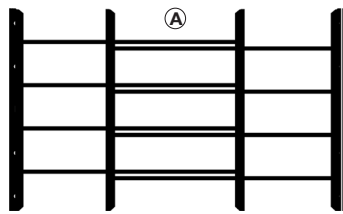
Installed to high



Installed to low

IMPORTANT: Read all instructions before beginning installation

Tools Required:



- A) Horizontal window guard
- B) 4" #10 x 1-1/2" one-way screws (8)
- C) L-bracket (2)



- Tape measure
- Level
- Pencil
- Safety glasses
- Drill and 3/32" drill bit
- One-way driver (not included)

TO MEET ASTM STANDARDS FOLLOW SPECIFIED INSTRUCTIONS

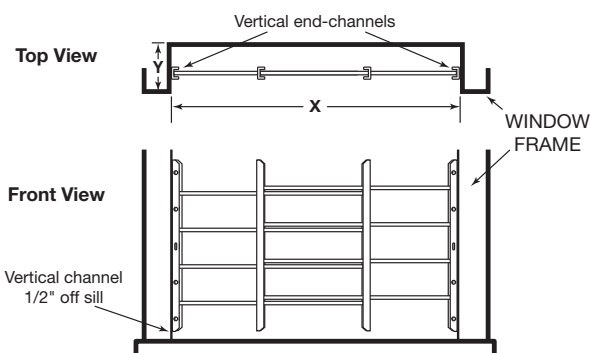
Window guard installation

- Expand and place window guard (A) in desired position against window frame allowing no more than 1/2" clearance between the sill and the bottom of the vertical channels.

Note: To maintain safety requirements, the clearance between the sill and the uppermost section of the bottom horizontal bars must be no more than 4" (Fig. 1).
- Using the vertical end-channels as a guide, mark locations of holes. Remove guard and pre-drill holes using a 3/32" drill bit.
- Reposition the window guard in place and secure through the vertical end-channels, use the #10 x 1-1/2" one-way screws (B).

Note: The use of any locking or latching hardware must allow for quick exit in the event of an emergency.

INSIDE MOUNT



SURFACE MOUNT

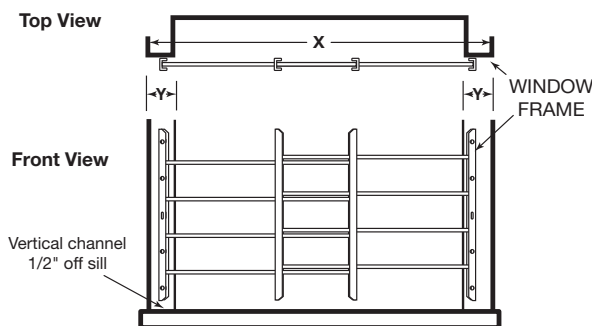
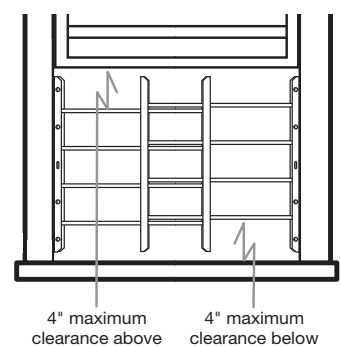


Fig. 1



Window stop L-bracket installation

The L-bracket **(C)** is designed to limit the bottom window sash from opening more than 4" above the lowermost section of the top horizontal bars. Raise or lower the bottom window sash to the appropriate level. Position one L-bracket on each side of the window track, above the window sash, and secure in place using two of the provided #10 x 1-1/2" one-way screws **(B)** on each bracket.

- For installation of window guards and stops on metal frames, we recommend purchasing and substituting with an appropriate tamper-resistant fastener, made specifically for metal applications. (Minimum size: #10 with a 1-1/2" length)
- For either sliding windows or casement windows, the window guard must cover the entire opening of the window.

Maintenance

This product is constructed of steel for strength, durability, and security, thoroughly cleaned and painted with baked on powder-coating. However, due to the nature of steel exposed, scratched, or scraped areas will rust. Immediately upon completion of your installation, touch up all areas that may have been scratched or scraped during installation, using a rust inhibitive paint. Periodically check for signs of wear and oxidation and maintain as necessary.

VIEW INSTALLATION VIDEOS
AND LATEST INFORMATION AT
 [helpmeininstallit.com](https://www.helpmeininstallit.com)