

# Gas Log Splitter

Operator's Manual



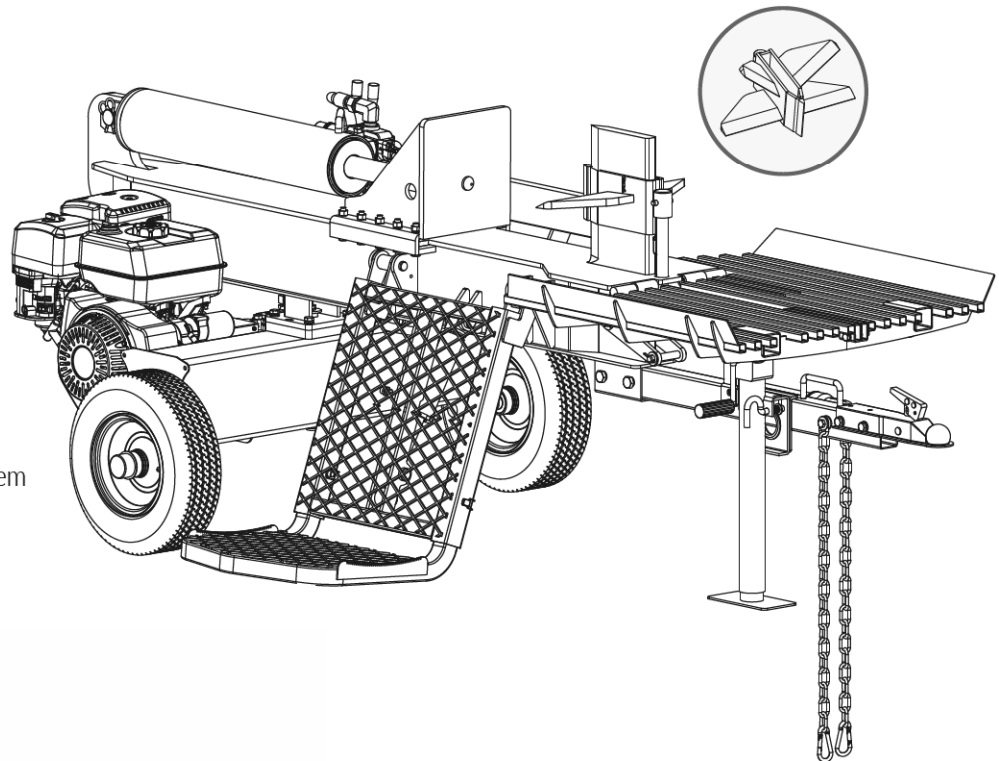
## MODEL NUMBER

H6135FB

## SERIAL NUMBER

## PURCHASE DATE

Both model number and serial number may be found on the main label. You should record both of them in a safe place for future use.



---

## FOR YOUR SAFETY

*READ AND UNDERSTAND THE ENTIRE MANUAL BEFORE OPERATING MACHINE*

---

Your new FULL BOAR® gas log splitter offers quality construction, and is easy and safe to operate. Expect professional quality, and is easy and safe to operate. With proper use and care, it is designed to give you many years of dependable service.

Prepare to experience the durability to take on any job – with the ease, portability, and convenience of clean, gas splitting!

**Discover the FULL BOAR Advantage**

At FULL BOAR, we understand that land ownership definitely has its privileges, but it also comes with a great deal of responsibility. When duty calls and you need to respond, will you have what it takes to tame the great outdoors?

When looking for outdoor power equipment (OPE) to get the job done right, at the right price, FULL BOAR delivers the perfect combination of performance and practicality. FULL BOAR has a solution that’s right for you.

**MAX Performance, MAX Value, MAX Support**

- ✓ Backed by decades of proven manufacturing expertise
- ✓ Enhanced design features come standard
- ✓ Engineered for the best user experience
- ✓ Quality metal parts are used instead of plastic
- ✓ A robust warranty supports all products
- ✓ Budget-friendly prices make it practical



*Up for the job? FULL BOAR is.*

---

## TABLE OF CONTENTS

---

Introduction	1
Specifications	4
Symbols	5
Safety	7
Unpacking the Container	11
Contents Supplied	12
Assembly	14

Know Your Machine	24
Operation	26
Transporting	29
Maintenance	32
Storage	33
Troubleshooting	34
Parts Diagram	35



**WARNING** Carefully read through this entire operator's manual before using your new unit. Pay attention to all cautions and warnings.

This unit is a gasoline engine driven hydraulic log splitter. It is designed to split wood logs for use as firewood for a stove or fireplace. This log splitter will only split logs lengthwise with the grain.

### ENGINE MANUAL

The **Engine Manufacturer** is responsible for all engine-related issues with regards to performance, power rating, specifications, warranty and service. Please refer to the **Engine Manufacturer's** owner/operator's manual, packed separately with your unit, for more information.

### EMISSION CONTROL SYSTEM

This equipment or its engine may include exhaust and evaporative emission control system components required to meet U.S. Environmental Protection Agency (EPA) and/or California Air Resources Board (CARB) regulations. Tampering with emission controls and components by unauthorized personnel may result in severe fines or penalties. Emission controls and components can only be adjusted by an authorized engine manufacturer's service center.

### CALIFORNIA PROPOSITION 65 WARNING

Engine exhaust, some of its constituents and certain product components contain or emit chemicals known to the state of California to cause cancer and birth defects or other reproductive harm. For more information, go to [www.P65Warnings.ca.gov](http://www.P65Warnings.ca.gov).

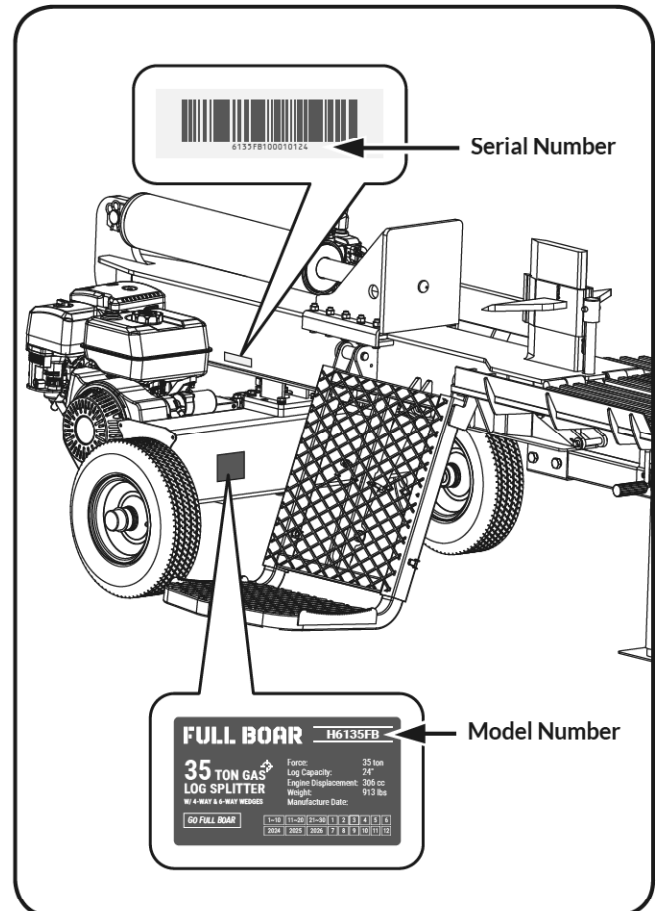
### ENVIRONMENTAL



Recycle unwanted materials instead of disposing of them as waste. All tools, hoses, and packaging should be resorted, taken to the local recycling center and disposed of in an environmentally safe way.

### MODEL AND SERIAL NUMBERS

Record the model and serial number as well as date and place of purchase for future reference. Have this information available when ordering parts or optional accessories and when making technical or warranty inquiries.



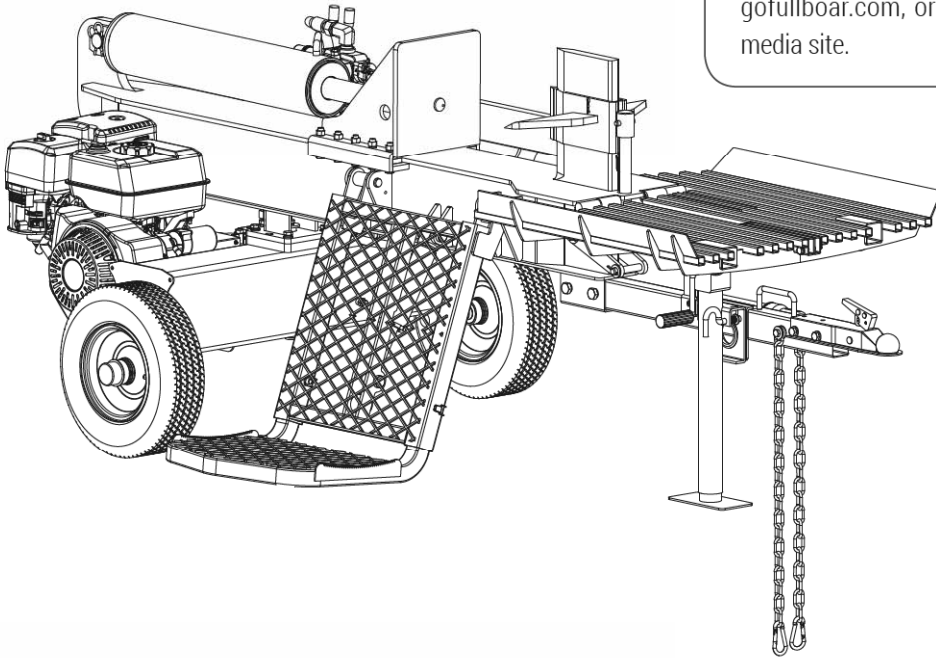
### DISCLAIMER

Manufacturer reserves the right to discontinue, change, and improve its products at any time without notice or obligation to the purchaser. The descriptions and specifications contained in this manual were in effect at printing. Equipment described within this manual may be optional. Some illustrations may not be applicable to your unit.

## SUPPORT

Have questions about your FULLBOAR equipment?

Call us at (888) 533-2999, email us at [Support@gofullboar.com](mailto:Support@gofullboar.com), or contact us via your favorite social media site.



## SPECIFICATIONS

Model #	<b>H6135FB</b>
Splitting Force*	35 ton
Log Capacity	24"
Engine	Full Boar
Displacement	306 cc
Gross Torque	13.6 ft-lb / 3000rpm
Fuel Capacity	1.58 Gallon
Engine Oil Capacity	1.16 qts
Starting System	Recoil
Control Valve	Auto Return with Adjustable Detent
Pump Size	18 GPM
Hydraulic Cylinder Bore	5"
Hydraulic Cylinder Stroke	23.5"
Hydraulic Rod Diameter	2"
Cylinder Cycle Time*	15 seconds
Hydraulic Oil Required to Fill	6.6 Gallon
Hydraulic Capacity	7.4 Gallon
Hydraulic Oil Included	Pre-filled with premium hydraulic fluid
Replacement Filters	Built-in, Sealed, Suction Filter, Suction Screen
Beam	Heavy duty Box-shape formed construction
Wedge Size	12"
Wedge Style	2-way, 4-way, 6-way
Rear Wheels	4.80-8, DOT Approved 16" O.D. Road Tires
Hitch Coupler	2" Ball with Safety Chains
Safety Chains	Standard
Max Towing Speed	45 mph
Max Lifting Capacity of Log Lift Table	700 lbs
Wedge Lifting Stroke	5"
Hitch Handle	Standard
Open Operating Zone	Standard
Log Lift Table Attachment	Standard
Weight (lbs)	912.7 lbs
Dimensions (L x W x H) Inches	112.2" x 59" x 47.2"

\* Splitting force and cycle times may vary depending on mechanical and environmental conditions.

# SYMBOLS

The rating plate on your machine may show symbols. These represent important information about the product or instructions on its use.



Indicates a potential personal injury hazard.



Read these instructions carefully.



Wear eye protection.



Wear hearing protection.



Wear protective gloves.



Wear safety footwear.



Do not remove or tamper with the protection and safety devices.



Watch your step and be careful of tripping over extended objects.



Operate the log splitter on level surfaces. Stay off slopes and slippery surfaces.



Do not touch parts that are hot from operation. Serious burns may result.



No smoking, sparks, or flames.



Properly dispose of waste oil!



Keep children and bystanders off and away.



Be sure the engine's switch is off before transporting the machine or performing any maintenance.



Keep out of this area to avoid serious personal injury or death.



Keep hands and fingers away from all pinch points.



Never remove partially split wood from the wedge with your hands. Fingers may become trapped between the split wood.



Keep hands away from moving parts. Moving parts can crush or cut.



Keep feet away from moving parts. Moving parts can crush or cut.



Keep hands away from rotating parts.



Warning! Stay clear of all moving parts!



Keep your hands away from the wedge and the cylinder, and away from any space in between.



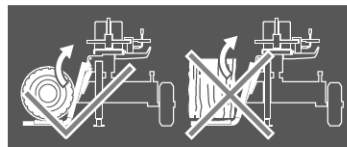
Always keep body and hands away from pin holes or nozzles that eject hydraulic fluid under pressure. Escaping hydraulic fluid can puncture skin and cause blood poisoning.



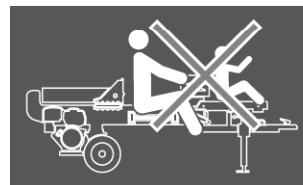
Thrown objects.



Check and fill hydraulic oil.



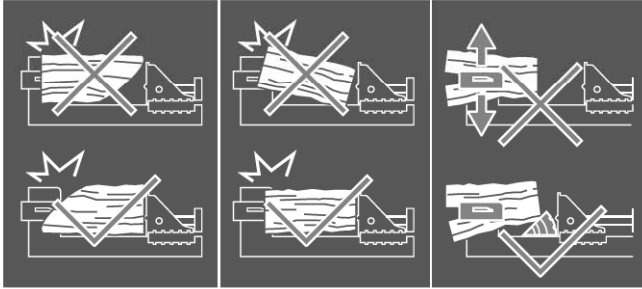
Wrong direction of the log may cause roll and fall when rising.



Do not sit on the log lift table or log tray table.



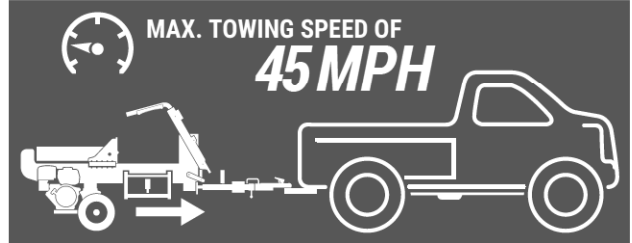
Do not rise the log lift table too fast, the log will roll over the guard-rail.



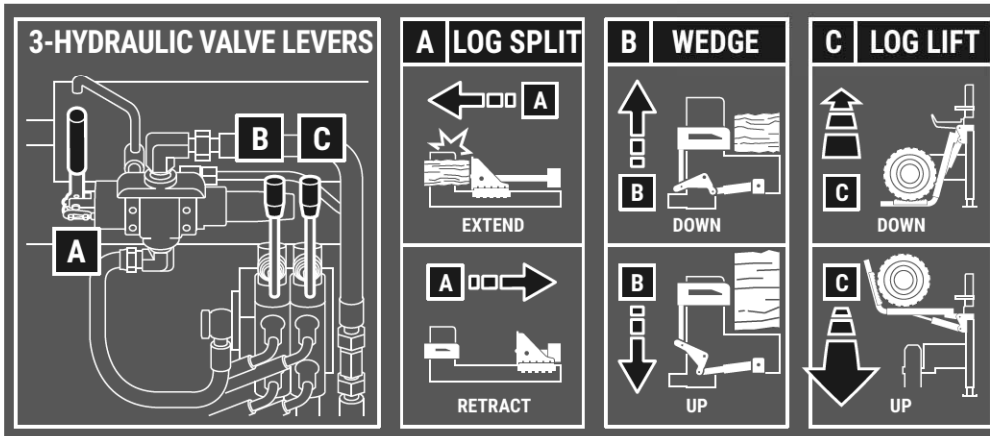
For logs that are not cut square, the longest portion of the log should be rotated down and the most square end placed toward the log pusher.

Make sure the log does not tilt when splitting, may damage the blades.

Do not adjust blade height when log is jammed. May damage the blade or connect parts.



Maximum towing speed of 45 mph.



Follow the direction indicated to use the control levers.


---


# SAFETY


---


## SIGNAL SAFETY WORDS DEFINITION

The definitions below give the level of severity for each signal word.

 **DANGER** *This symbol is used to indicate a hazardous situation which, if not avoided, will result in serious injury or death.*

 **CAUTION** *This symbol indicates a hazard, which, if not avoided, may result in minor injury, moderate injury, or property damage.*

 **WARNING** *This symbol points out safety instructions. Read and follow all instructions before attempting to operate this product. Failure to comply with these instructions could result in serious injury or death.*

 **NOTE** *This information makes the product easier to use.*

## GENERAL SAFETY RULES

### UNDERSTAND YOUR MACHINE

Read this manual and labels affixed to the machine to understand its limitations and potential hazards.

Be thoroughly familiar with the controls and their proper operation. Know how to stop the machine and disengage the controls quickly.

Make sure to read and understand all the instructions and safety precautions as outlined in the **Engine Manufacturer's** manual packed separately with your unit. Do not attempt to operate the machine until you fully understand how to properly operate and maintain the engine and how to avoid accidental injuries and/or property damage.

If the unit is to be used by someone other than original purchaser or loaned, rented, or sold, always provide this manual and any needed safety training before operation. The user can prevent and is responsible for accidents or injuries that may occur to themselves, other people, and property.

Do not force the machine. Use the correct machine for your application. The correct machine will do the job more efficiently and safer at the rate it was designed.

### PERSONAL SAFETY

Do not permit children to operate this machine at any time.

Keep children, pets, and other people not using the unit away from the work area. Be alert and shut off unit if anyone enters work area. Keep children under the watchful care of a responsible adult.

Do not operate the machine while under the influence of drugs, alcohol, or any medication that could affect your ability to use it properly.

Dress properly. Wear heavy long pants, boots, and gloves. Do not wear loose clothing, short pants, or jewelry of any kind. Secure long hair so it is above

shoulder level. Keep your hair, clothing, and gloves away from moving parts. Loose clothes, jewelry, or long hair can be caught in moving parts.

Protect eyes, face, and head from objects that may be thrown from the unit. Always wear safety goggles or safety glasses with side shields when operating.

Wear appropriate hearing protection.

Always keep hands and feet away from all moving parts during operation. Moving parts can cut or crush body parts.

Always keep hands and feet away from all pinch points.

Do not touch parts that might be hot from operation. Allow parts to cool before attempting to maintain, adjust, or service.

Stay alert, watch what you are doing, and use common sense when operating the machine.

Do not overreach. Do not operate the machine while barefoot or when wearing sandals or similar lightweight footwear. Wear protective footwear that will protect your feet and improve your footing on slippery surfaces. Keep proper footing and balance at all times. This enables better control of the machine in unexpected situations.

### INSPECT YOUR MACHINE

Check your machine before starting it. Keep guards in place and in working order. Make sure all nuts, bolts, etc., are securely tightened.

Never operate the machine when it is in need of repair or is in poor mechanical condition. Replace damaged, missing, or failed parts before using it. Check for fuel leaks. Keep the machine in safe working condition.

Do not use the machine if the engine's switch does not turn it on or off. Any gasoline powered machine that can't be controlled with the engine switch is dangerous and must be replaced.

Regularly check to see that keys and adjusting wrenches are removed from the machine area before starting it. A wrench or a key that is left attached to a rotating part of the machine may result in personal injury.

Avoid accidental starting. Be sure the engine's switch is off before transporting the machine or performing any maintenance or service on the unit. Transporting or performing maintenance or service on a machine with its switch on invites accidents.

If the machine should start to vibrate abnormally, stop the engine (motor) and check immediately for the cause. Vibration is generally a warning sign of trouble.

### ENGINE SAFETY

This machine is equipped with an internal combustion engine. Do not use on or near any unimproved, forest covered, or brush covered land unless the exhaust system is equipped with a spark arrester meeting applicable local, state, or federal laws.

In the state of California, a spark arrester is required by law. Other states have similar laws. A spark arrester, if used, must be maintained in effective working order by the operator.

Never start or run the engine inside a closed area. The exhaust fumes are dangerous, containing carbon monoxide, an odorless and deadly gas. Operate this unit only in a well-ventilated outdoor area.

Do not tamper with the engine to run it at excessive speeds. The maximum engine speed is preset by the manufacturer and is within safety limits. See engine manual.

Keep a Class B fire extinguisher on hand when operating this log splitter in dry areas as a precautionary measure.

### FUEL SAFETY

Fuel is highly flammable, and its vapors can explode if ignited. Take precautions when using to reduce the chance of serious personal injury.

When refilling or draining the fuel tank, use an approved fuel storage container while in a clean, well-ventilated outdoor area. Do not smoke, or allow sparks, open flames, or other sources of ignition near the area while adding fuel or operating the unit. Never fill the fuel tank indoors.

Keep grounded conductive objects, such as tools, away from exposed, live electrical parts and connections to avoid sparking or arcing. These events could ignite fumes or vapors.

Always stop the engine and allow it to cool before filling the fuel tank. Never remove the cap of the fuel tank or add fuel while the engine is running or when the engine is hot. Do not operate the machine with known leaks in the fuel system.

Loosen the fuel tank cap slowly to relieve any pressure in the tank.

Never overfill the fuel tank. Fill the tank to no more than 1/2" below the bottom of the filler neck to provide space for expansion as the heat of the engine can cause fuel to expand.

Replace all fuel tank and container caps securely and wipe up spilled fuel. Never operate the unit without the fuel cap securely in place.

Avoid creating a source of ignition for spilled fuel. If fuel is spilled, do not attempt to start the engine but move the machine away from the area of spillage and avoid creating any source of ignition until fuel vapors have dissipated.

When fuel is spilled on yourself or your clothes, wash your skin and change clothes immediately.

Store fuel in containers specifically designed and approved for this purpose.

Store fuel in a cool, well-ventilated area, safely away from sparks, open flames, or other sources of ignition.

Never store fuel or a machine with fuel in the tank inside a building where fumes may reach a spark, open flame, or any other source of ignition, such as a water heater, furnace, or clothes dryer. Allow the engine to cool before storing in any enclosure.

### HYDRAULIC SYSTEM SAFETY

The hydraulic system of the machine requires careful inspection along with the mechanical parts. Be sure to replace frayed, kinked, cracked, or otherwise damaged hydraulic hoses or hydraulic components.

Hydraulic fluid can result in severe burns. Fluid in the hydraulic system can penetrate skin and result in serious injury or death. Be sure to stop the engine and relieve hydraulic pressure before doing any work on hydraulic parts.

Keep body and hands away from pin holes or nozzles that expel hydraulic fluid when under pressure. Use paper or cardboard, not hands, to search for leaks.

Ensure all hydraulic fluid connections are tight and all hydraulic hoses and lines are in good condition before applying pressure to the system.

Do not remove the cap from the hydraulic tank or reservoir while the machine is running. The tank could contain hot oil under pressure, which could result in serious injury.

Do not adjust the pressure setting on the hydraulic pump or valve.

If injured by escaping fluid, no matter how small the wound is, see a doctor at once. A typical injection injury may be a small wound that does not look serious. However, severe infection or reaction can result if proper medical treatment is not administered immediately by a doctor who is familiar with injection injuries.

## SPECIFIC SAFETY RULES

### PREPARATION OF THE LOG

Both ends of the log should be cut as square as possible to prevent the log from rotating out of the splitter during operation.

Never split logs greater than the specified log capacity.

Do not operate the log splitter on icy, wet, muddy, or slippery ground. Only operate your log splitter on level ground.

**⚠ DANGER** *Operating on a slope could cause the log splitter to roll over or logs to fall off the equipment, which could result in injury.*

Do not move the log splitter over hilly or uneven terrain without a tow vehicle or adequate help.

Keep the work area free of clutter. Remove split wood from around the log splitter immediately after each use to avoid potential tripping.

### OPERATOR ZONE

This unit is designed to be operated by one person located in the operator zone as shown in the following diagrams.

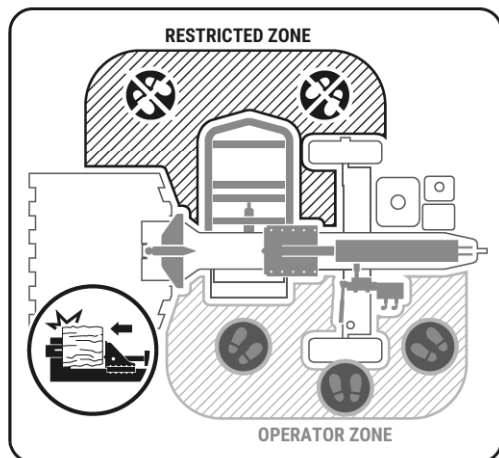
Operate the unit only when standing in the operator zone.

Always stop the unit and allow moving parts to stop before leaving operation zone. Do not leave a running unit unattended.

**⚠ WARNING** *Many accidents occur when more than one person operates the log splitter.*

*The adult who loads and stabilizes the log must be the person who operates the control handle.*

### OPERATING POSITION



Always keep bystanders away at least 10 feet (3m) from this machine. Only the operator should be near the machine during use.

When the log pusher or log lift table is moving, it is forbidden for the operator or anyone else to stand in the restricted area.

### MACHINE USE AND CARE

Never operate the machine without good visibility or light.

Never attempt to split wood across the grain. The log splitter was not designed for cross-grain splitting.

Always block the front and back of both wheels to prevent unintended movement.

Hold the bark side of the logs when loading or positioning, never the ends. Never place your hands or any part of your body between a log and any part of the log splitter.

Do not straddle or step over the log splitter during operation.

Do not reach or bend over the log splitter to pick up a log.

When stabilizing a log with the left hand, remove your hand when the wedge contacts the log or serious injury may occur.

Never attempt to split more than one log at a time.

Do not attempt to load your log splitter when the ram or wedge is in motion.

Use your hand to operate the control levers on the valves. Do not use your foot, a rope, or any extension device.

Do not move the log splitter while the engine is running.

### TOWING SAFETY

Check all local and state regulations regarding towing, licensing, and lights before towing your log splitter.

Before towing the log splitter, check tires for excessive wear, cuts, or damage. Check for proper tire inflation. Add air as required. Do not over inflate tires. Serious injury can result if tires explode.

Check before towing to make sure the log splitter is correctly and securely attached to the towing vehicle and the safety chains are secured to the hitch or bumper of the vehicle with enough slack to allow turning. Always use a class I, 2" ball with this log splitter.

Make sure the coupler is tight before towing and after towing 50 miles.

Never transport cargo on the log splitter.

Never allow anyone to ride or sit on the log splitter.

Always stop the engine, and close the fuel shut-off valve when transporting the unit.

Use extra care when towing the log splitter. Do not exceed 45 mph. Towing the log splitter at a speed greater than 45 mph could result in loss of control, damage to the equipment, serious injury, or death.

Avoid sharp turns and steep angles. Avoid large holes or ditches when towing the equipment. Always be careful when backing up with your log splitter when towing; it could jackknife. Use caution when backing up; a spotter outside the vehicle is highly recommended. Disconnect the log splitter from the towing vehicle before operating it.

#### LOG LIFT TABLE USE SAFETY

*Using a log splitter with a log lift table requires careful attention to safety to prevent injuries and equipment damage. Here are some essential safety tips:*

Inspect the log splitter and log lift table for any signs of damage or wear before use.

Ensure that the log splitter and lift table are on a stable, level surface.

Check hydraulic lines for leaks or damage and ensure all connections are secure.

Familiarize yourself with the log splitter and log lift table's operating manual and safety guidelines.

Place logs on the lift table securely and ensure they are balanced before lifting.

Keep the area around the log splitter clear of debris, tools, and other obstacles.

Use the controls smoothly to avoid jerky movements that can dislodge the log or cause instability.

Keeping others away from the work area, you can significantly reduce the risk of injury from falling logs and ensure a safer working environment.

Only lift and split one log at a time to maintain control and prevent accidents.

Keep hands and other body parts away from the log splitter's wedge and other moving parts.

After use, clean the log splitter and lift table to prevent buildup of debris and ensure proper functioning.

Emergency Preparedness. Have a first aid kit readily available in case of injury. Familiarize yourself with the emergency shut-off procedure and ensure others in the vicinity know how to operate it.

Keep a phone nearby to call for help if needed.

## UNPACKING THE CONTAINER

Use the screwdriver and hammer to open all the side locks. Remove all the plywood plates. Remove all the loose parts on the bottom pallets. Use scissors or a knife to cut all the straps. (See **Figure 1a**)

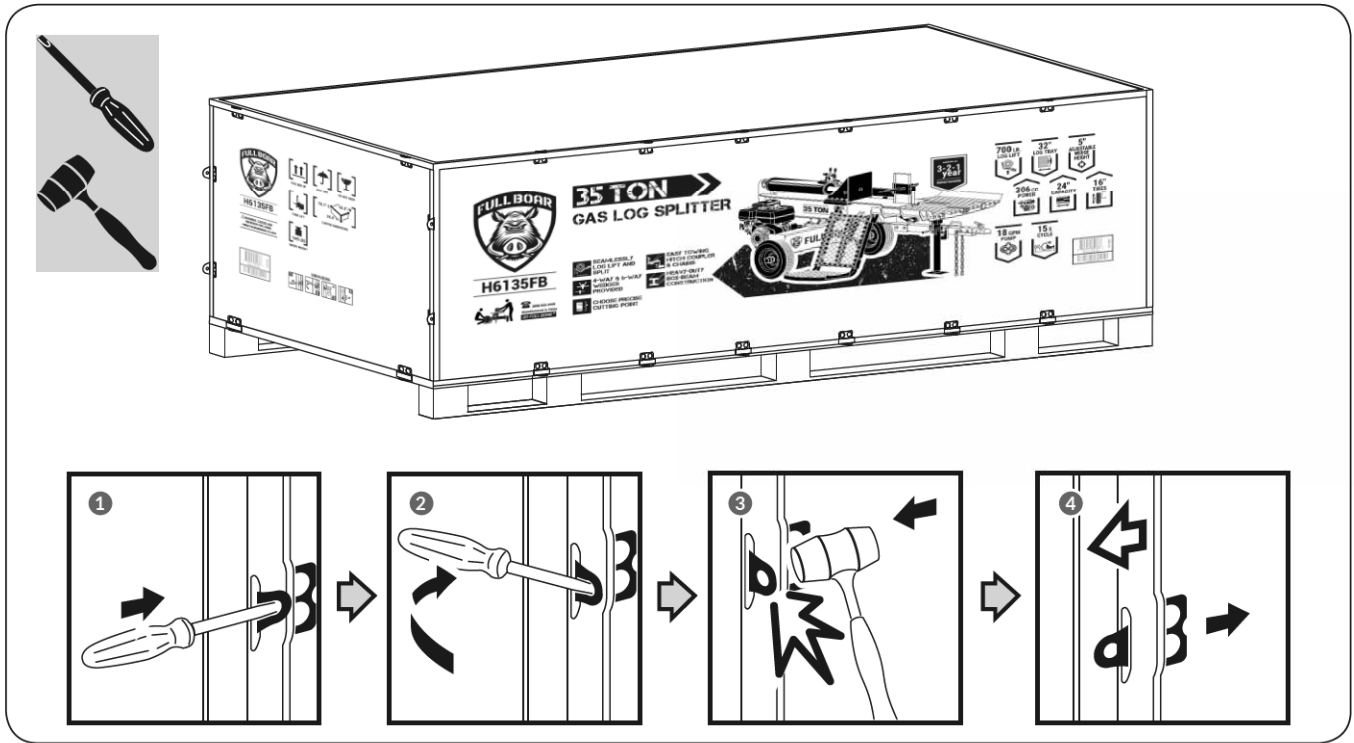


Figure 1a

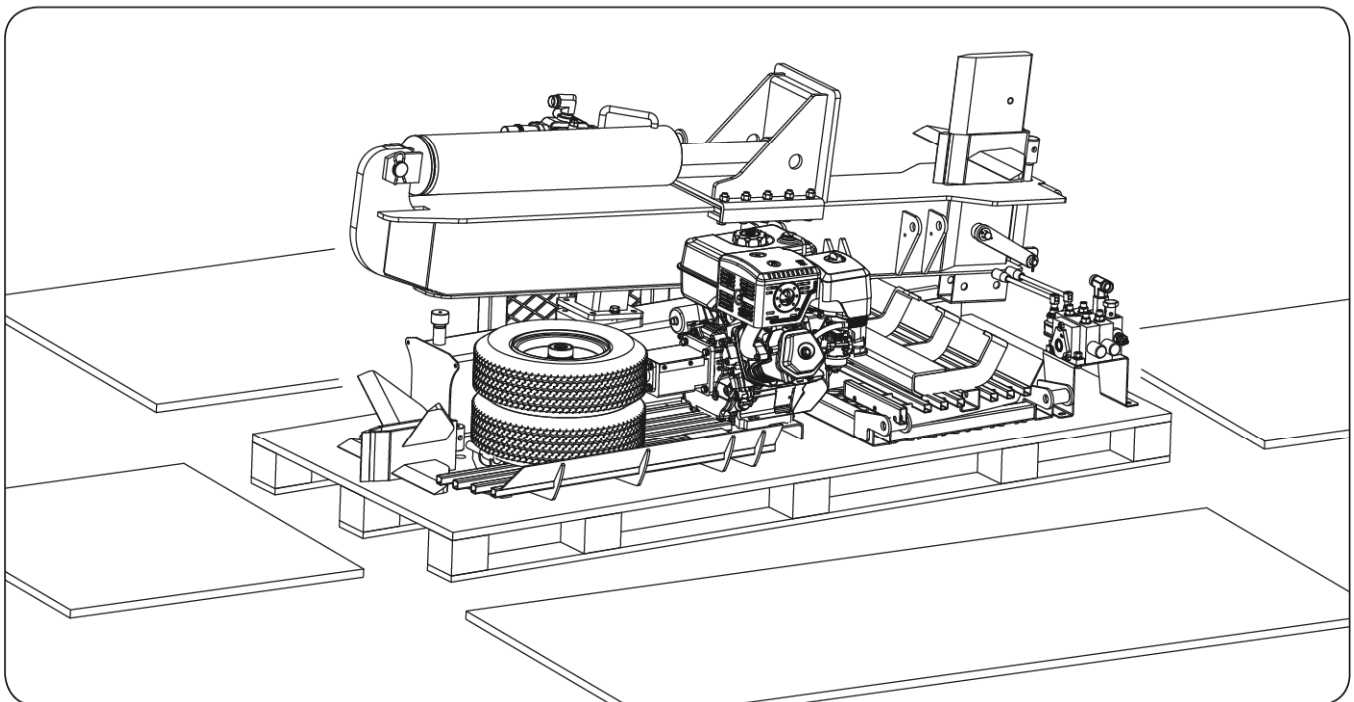


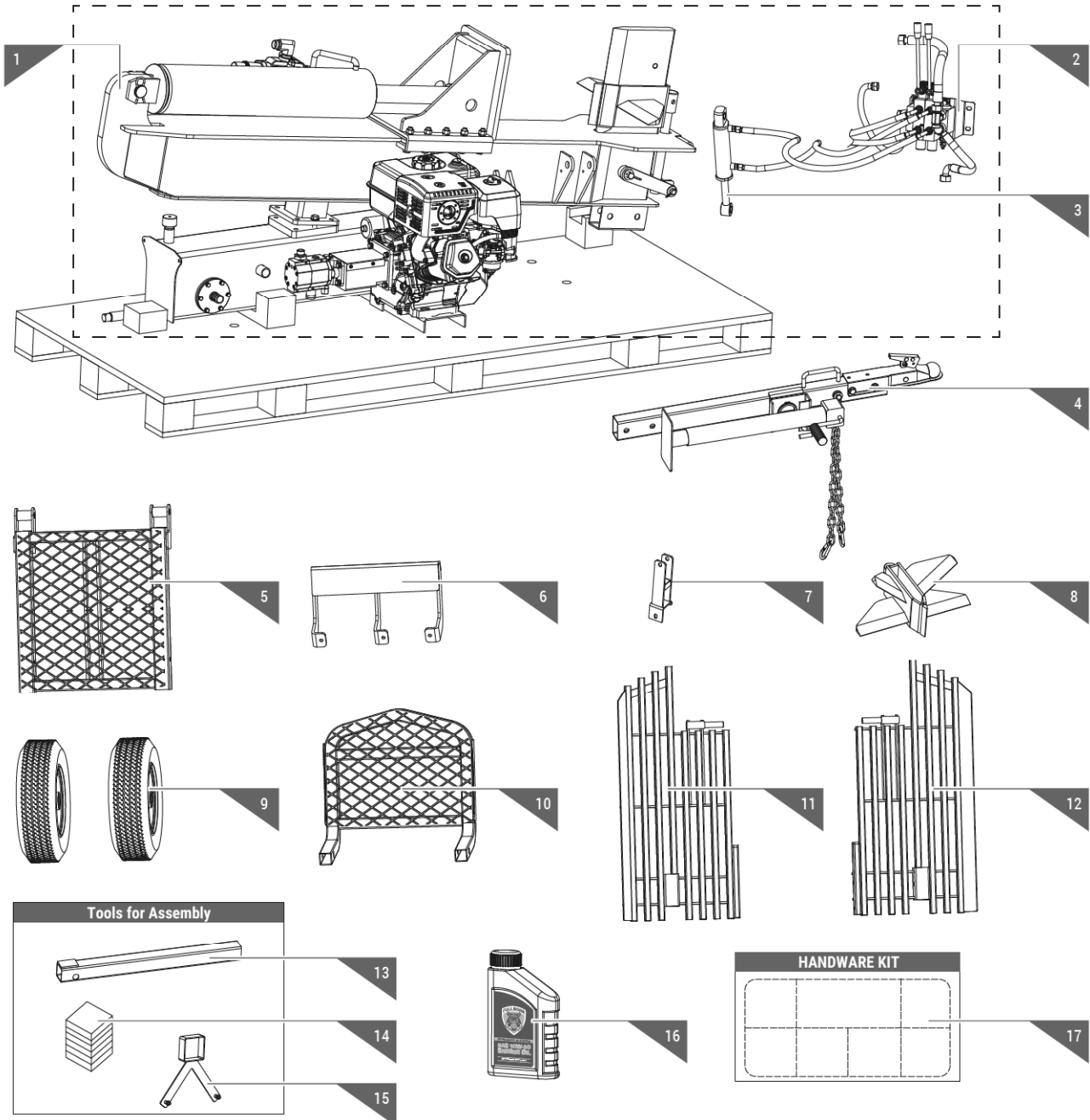
Figure 1b

## CONTENTS SUPPLIED

Your FULLBOAR log splitter comes partially assembled and contains the following:










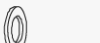



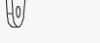


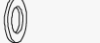



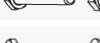

**CAUTION**

Heavy lifting required. Some of the components in these assembly instructions are heavy and can't be lifted by one person safely. Please plan to assemble this product when another person can be available to help.



1. Beam and Reservoir with Engine
2. Two-way Valve
3. Log Lift Table Cylinder
4. Tow Bar
5. Log Lift Table - Main Table
6. Log Cradle
7. Log Tray Bracket
8. 6-Way Wedge
9. Wheels
10. Log Lift Table - Side Table
11. Log Tray - Left
12. Log Tray - Right
13. Support Tube
14. Support Block
15. Fuel Tank Lifting Plate
16. Engine Oil

17. Hardware Kit, including:

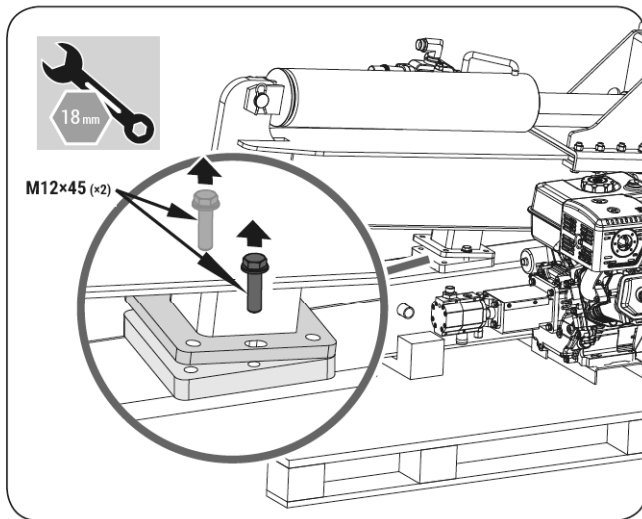
	M12 × 30	× 4	<b>1</b>
	M22	× 1	<b>2</b>
	4 × 50	× 1	
	M22	× 1	<b>3</b>
	4 × 50	× 1	
		× 1	<b>4</b>
		× 1	
	M16 × 90	× 2	<b>4</b>
	M10 × 30	× 4	<b>5</b>
	φ20 × 81	× 1	<b>6</b>
	M20	× 1	
	4 × 35	× 1	
	M10 × 30	× 3	<b>7</b>
	φ20 × 88	× 2	<b>8</b>
	M8 × 20	× 2	
	φ20 × 81	× 1	
	M20	× 1	
	4 × 35	× 1	
	10 × 70	× 2	<b>9</b>
	10 × 70	× 1	<b>10</b>
	M10 × 60	× 3	<b>11</b>
	φ12 × 75	× 1	

## ASSEMBLY

This log splitter was partially assembled at the factory. To assemble your machine follow the below instructions.

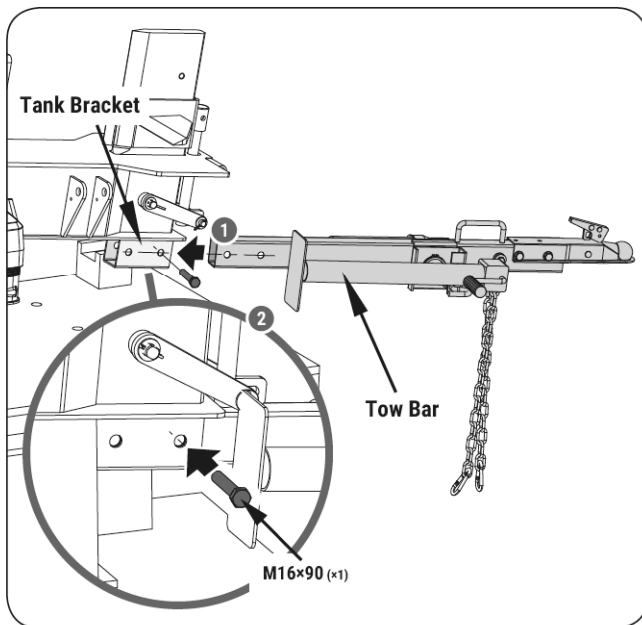
### FRAME & TANK CONNECTION

1. Remove the two frame fixing bolts M12x45. (See **Figure 2a.**)



**Figure 2a**

2. First, insert the tow bar into the tank bracket ensuring proper alignment of the holes. Next, securely fasten the tow bar to the frame by inserting the 16x90 bolt as the locating pin into the designated hole. (See **Figure 2b.**)



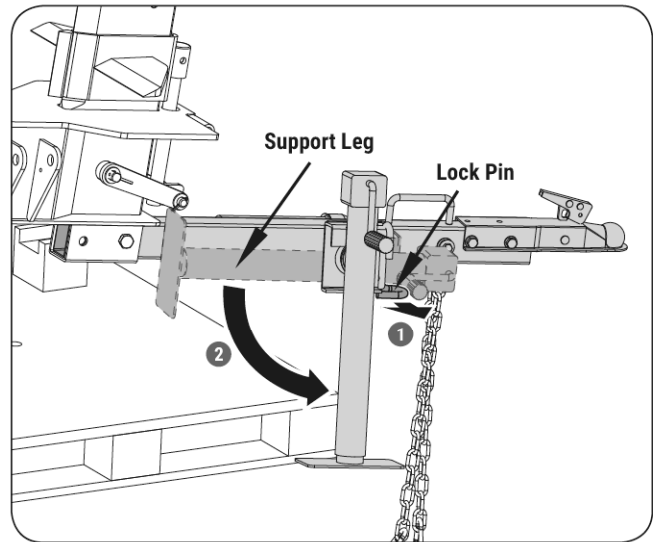
**Figure 2b**



### NOTE

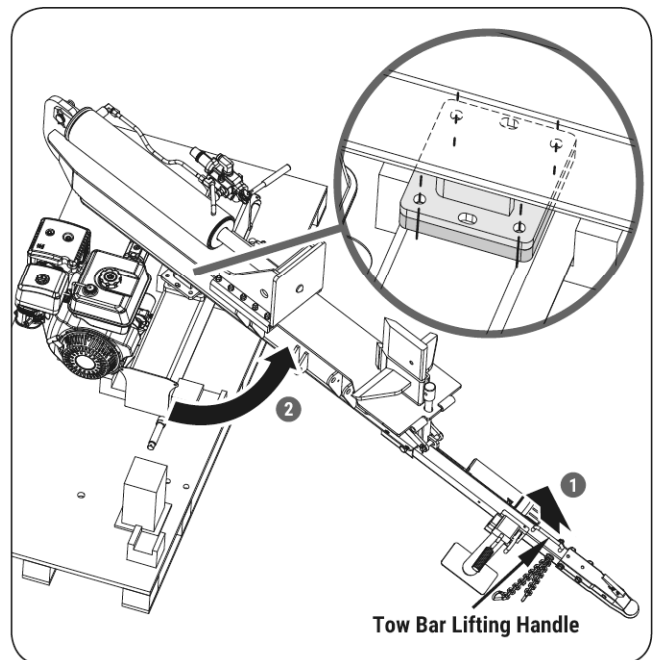
The bolt M16x90 can be found in Hardware kit #4.

3. Pull the lock pin, then pivot the support leg until it stands vertically on the ground. (See **Figure 2c.**)



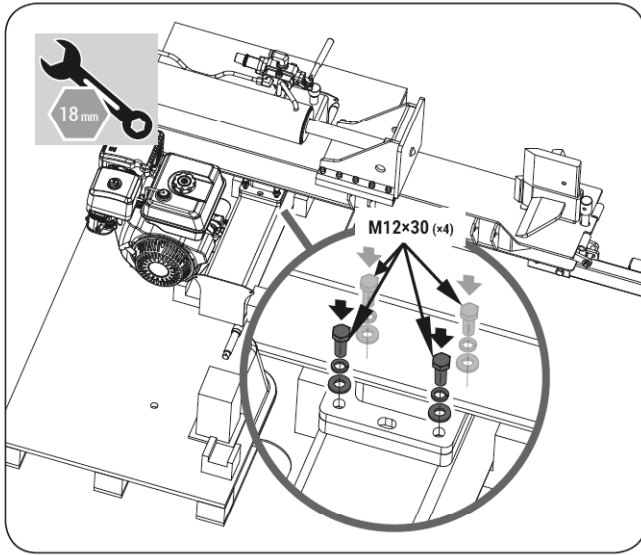
**Figure 2c**

4. Lift the tow bar lifting handle (See **Figure 2d, Illustration 1.**), and rotate the frame until it is perpendicular to the tank, ensuring the secure holes are aligned. (See **Figure 2d, Illustration 2.**)

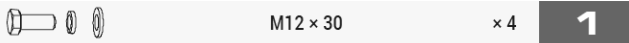


**Figure 2d**

5. Secure the frame by installing M12x30 bolts with flat washers. (See **Figure 2e.**)

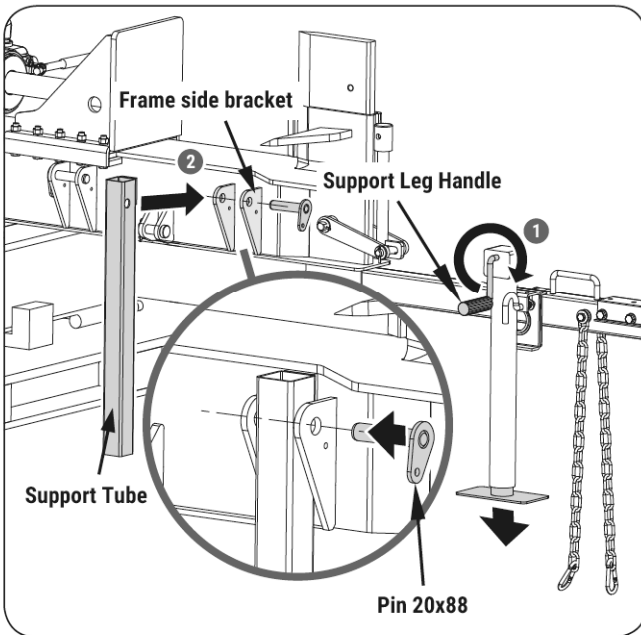


**Figure 2e**



**WHEELS**

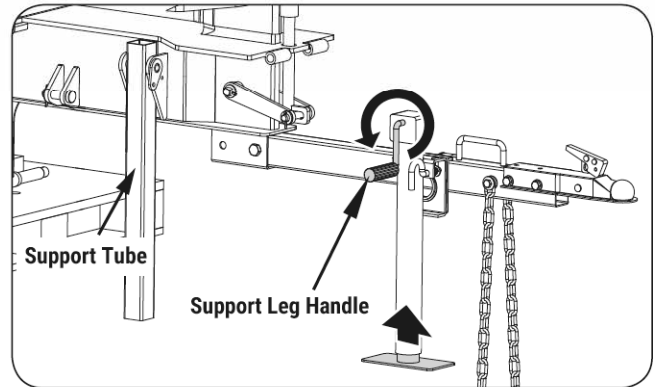
1. Rotate the support leg handle clockwise to slightly elevate the frame. (See **Figure 3a, Illustration 1.**) Next, insert the support tube into the frame bracket and secure it with the 20x88 Pin. (See **Figure 3a, Illustration 2.**)



**Figure 3a**

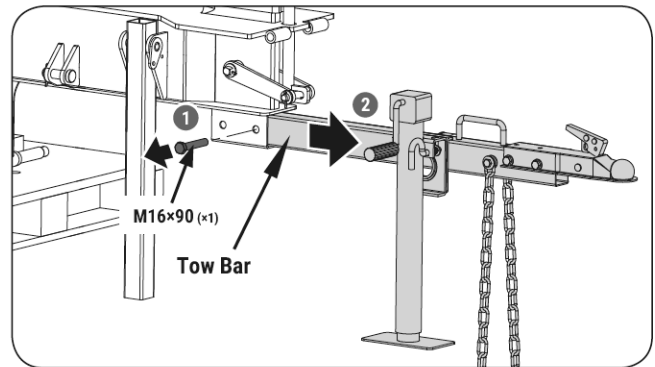


2. Turn the support leg handle counterclockwise to slightly lower the height of the frame, ensuring the support tube firmly contacts the ground. (See **Figure 3b.**)

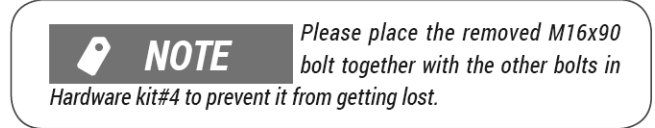


**Figure 3b**

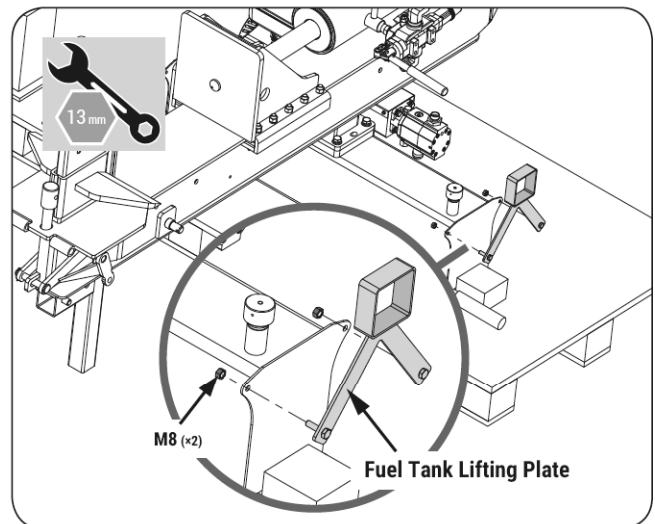
3. Remove the bolt M16x90 and pull out the tow bar. (See **Figure 3c.**)



**Figure 3c**

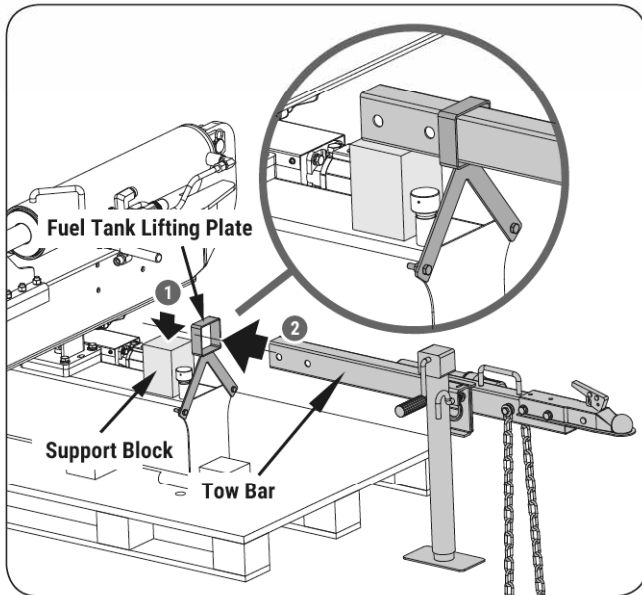


4. Unscrew the two nuts M8 on the fuel tank lifting plate, then mount the plate onto the fuel tank and tighten the nuts. (See **Figure 3d.**)



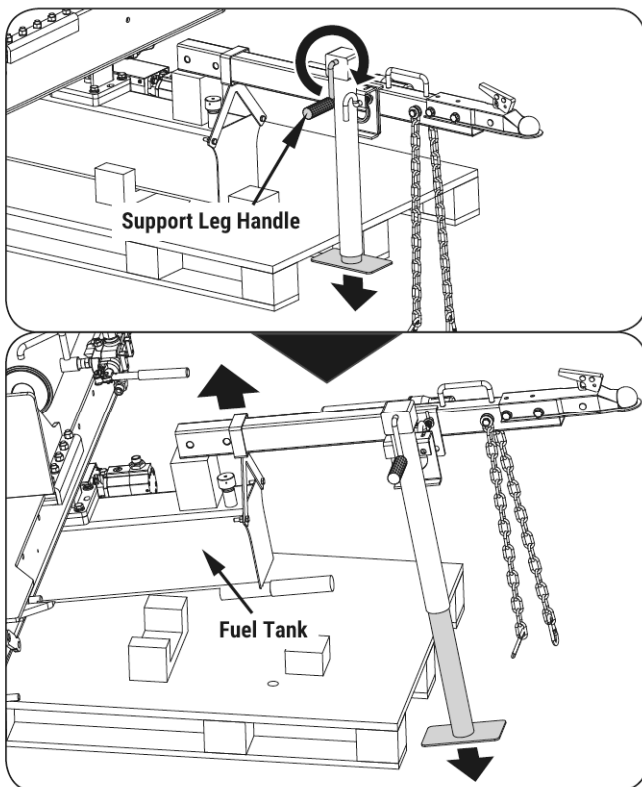
**Figure 3d**

5. Begin by positioning the support block on the fuel tank. Next, insert the tow bar into the fuel tank lifting plate socket, ensuring the front end of the tow bar rests against the support block. (See **Figure 3e.**)



**Figure 3e**

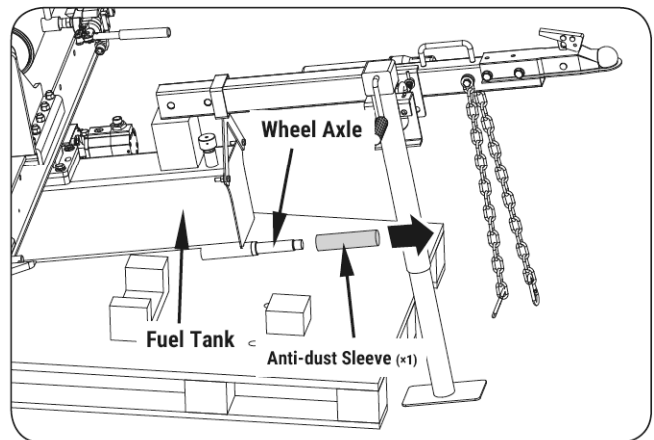
6. Rotate the handle on the support leg clockwise to elevate the height of the fuel tank. (See **Figure 3f.**)



**Figure 3f**

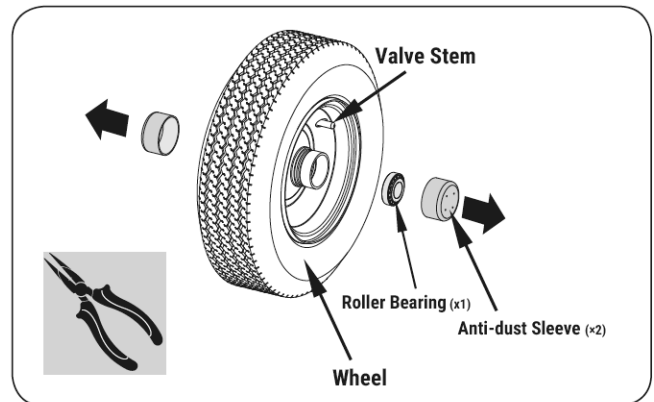
**CAUTION** The recommended angle for the raised support leg is around 12°, with a maximum not exceeding 15°. Going beyond this may lead to instability.

7. Remove the anti-dust sleeve from the wheel axle. (See **Figure 3g.**)



**Figure 3g**

8. Remove the anti-dust sleeves from the wheel. Take the roller bearing from the wheel and set aside for later use. (See **Figure 3h.**)



**Figure 3h**

9. Slide the wheel with the valve stem facing out to the wheel axle and the roller bearing, then put the wheel washer against the bearing. Use a 32mm socket to tighten the axle nut completely.
10. Spin the wheel clockwise or counterclock wise to ensure proper bearing seating.
11. Turn the wheel with your fingers. If it feels too tight, loosen the axle nut slightly until the wheel turns smoothly.
12. Insert the cotter pin through the hole in the axle. Bend open and spread the prongs in opposite directions so the axle nut will not come off (make sure the tire spins freely).

**CAUTION** Installation of the cotter pin is important and required. Failure to install the cotter pin can result in loss of wheel retention. Always assemble using a new cotter pin. Do not reuse.

13. Place the wheel cap into the wheel cap installer, align it against the wheel hub, and use a soft-faced hammer to tap the installer lightly until the wheel cap is fully seated on the wheel hub. Then remove the installer. (See **Figure 3i.**)

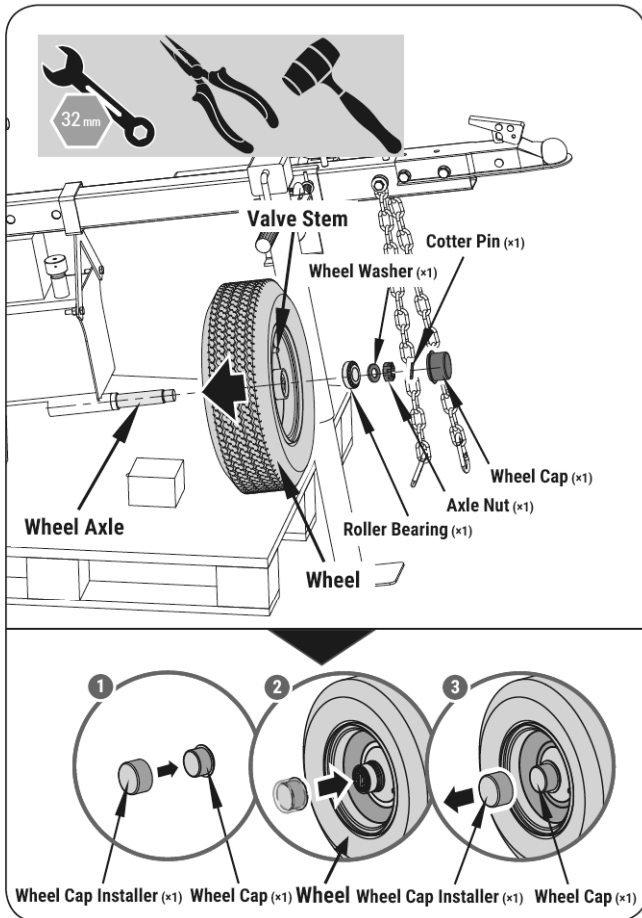


Figure 3i

	M22	× 1	2
	4 × 50	× 1	
		× 1	

14. Verify the stability of the machine, then turn the support leg handle counterclockwise to lower the height of the frame. Next, remove the tow bar, followed by the fuel tank lifting plate and last the support block. (See **Figure 3j**.)

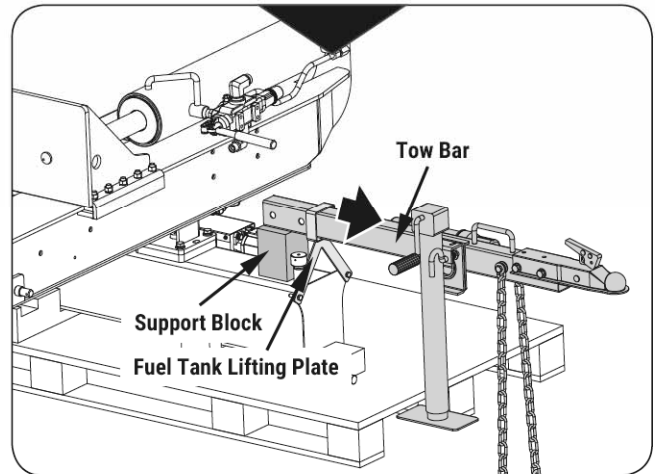
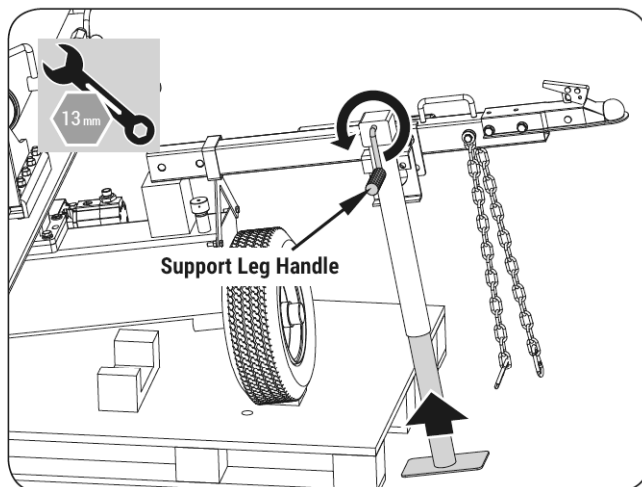


Figure 3j

15. Repeat steps 4-6 on the opposite side of the fuel tank. Securely attach the fuel tank lifting plate and elevate the height of the fuel tank. (See **Figure 3k**.)

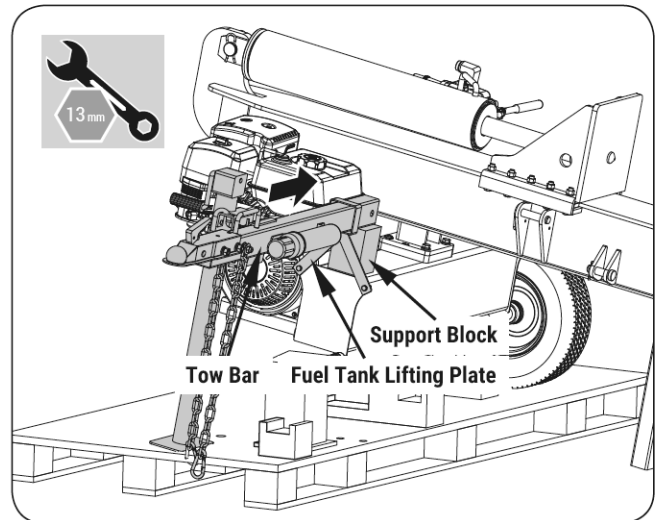


Figure 3k

16. Before proceeding with wheel assembly, ensure the removal of the fuel tank support block. (See **Figure 3l**.)

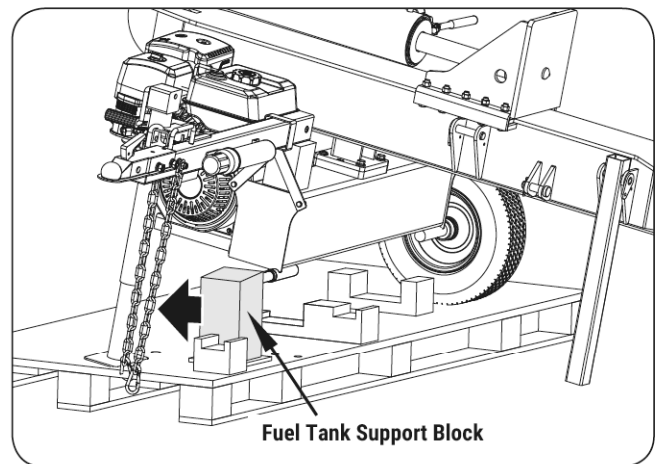
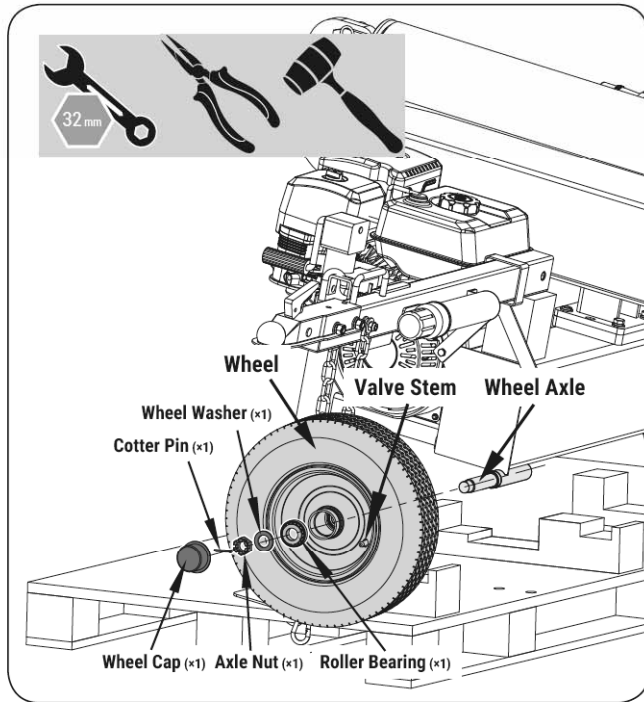


Figure 3l

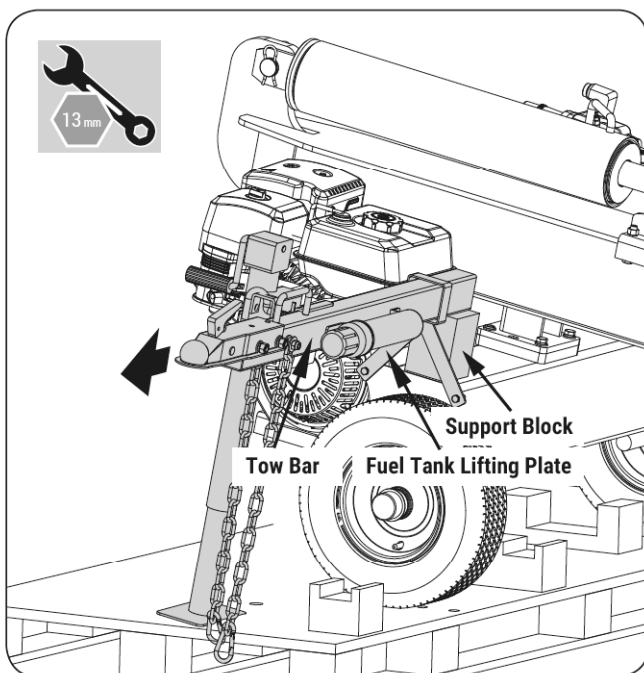
17. Repeat steps 7-13 to install the wheel on the other side. (See **Figure 3m.**)



**Figure 3m**

	M22	x 1	<b>3</b>
	4 x 50	x 1	
		x 1	

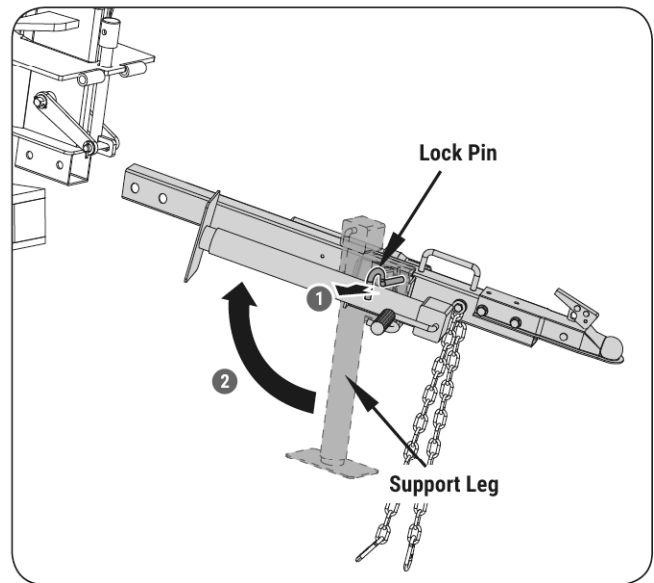
18. Repeat step 14 to remove the tow bar, the fuel tank lifting plate and the support block after assembling the wheel. (See **Figure 3n.**)



**Figure 3n**

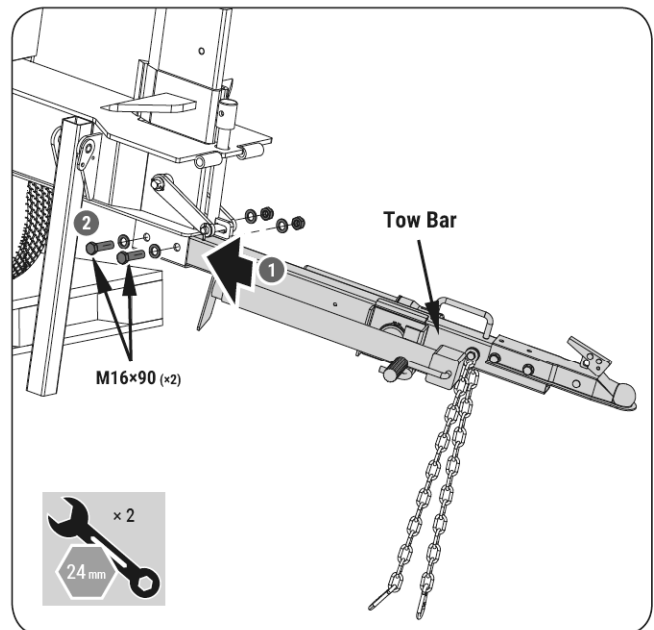
### TOW BAR

1. Pull the lock pin to retract the support leg until it is parallel with the tow bar. (See **Figure 4a.**)



**Figure 4a**

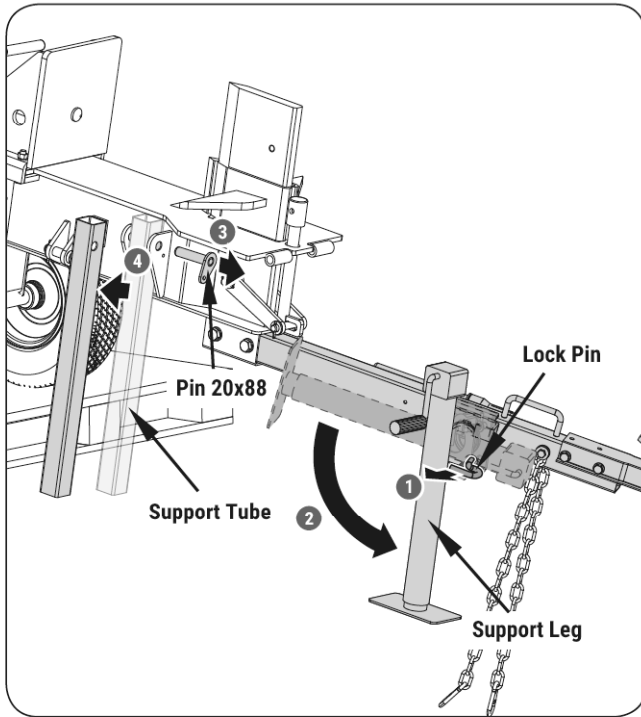
2. Insert the tow bar into the frame and align the holes. Secure the tow bar to the frame by fastening M16x90 bolts, along with flat washers and nuts, and then tighten them. (See **Figure 4b.**)



**Figure 4b**

	M16 x 90	x 2	<b>4</b>
--	----------	-----	----------

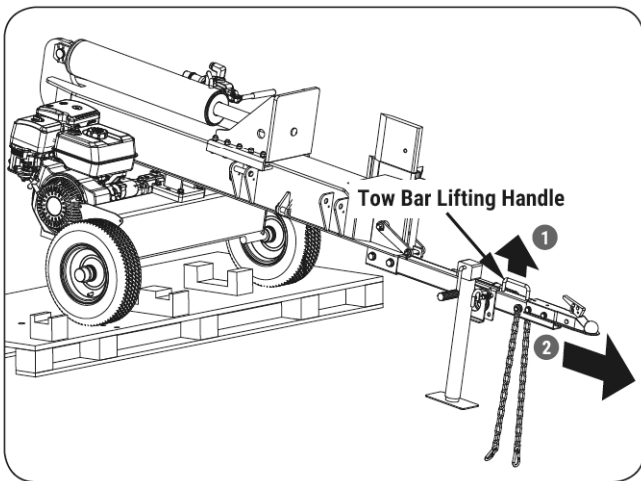
3. Pull the lock pin and rotate the support leg to vertically support it on the ground, then proceed to remove the support tube. (See **Figure 4c.**)



**Figure 4c**

**NOTE** Please place the removed Pin 20x88 together with the other pins in Hardware kit#8 to prevent it from getting lost.

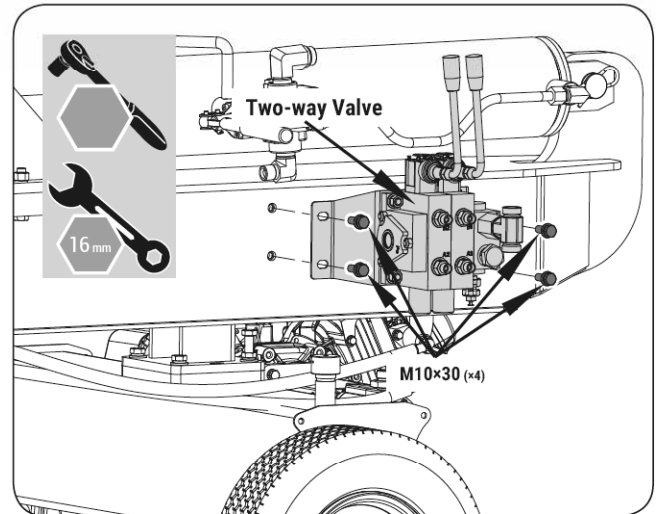
4. Lift the tow bar lifting handle and carefully pull the machine off the pallet. (See **Figure 4d.**)



**Figure 4d**

## TWO-WAY VALVE

Align the Two-way valve with the frame and securely fasten it using the M10x30 bolts, along with spring washers and flat washers. (See **Figure 5.**)

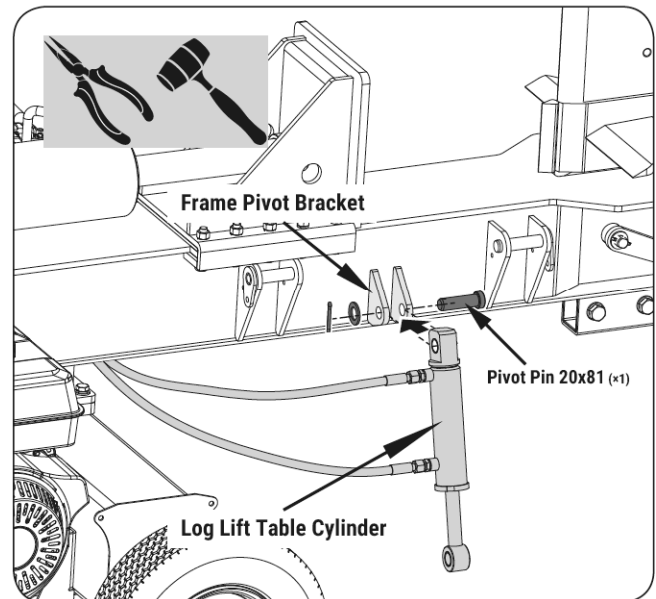


**Figure 5**

	M10 x 30	x 4	<b>5</b>
--	----------	-----	----------

## LOG LIFT TABLE CYLINDER

Insert the log lift table cylinder into the frame pivot bracket, ensuring alignment of the holes. Then, insert the pivot pin and secure it with the flat washer and cotter pin. (See **Figure 6.**)



**Figure 6**

	φ20 × 81	x 1	<b>6</b>
	M20	x 1	
	4 × 35	x 1	

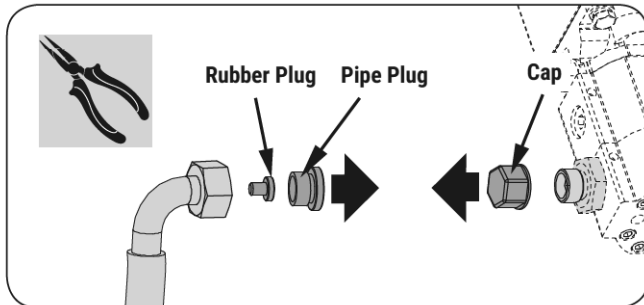
**OIL PIPES**



**NOTE**

There may be residual hydraulic oil in the oil pipes. It is recommended to place a container underneath before removing the pipe caps to prevent any oil from spilling and contaminating surrounding environment.

1. Before connecting the oil pipes to the machine, remove the caps from the corresponding connection ports. (See **Figure 7a.**)



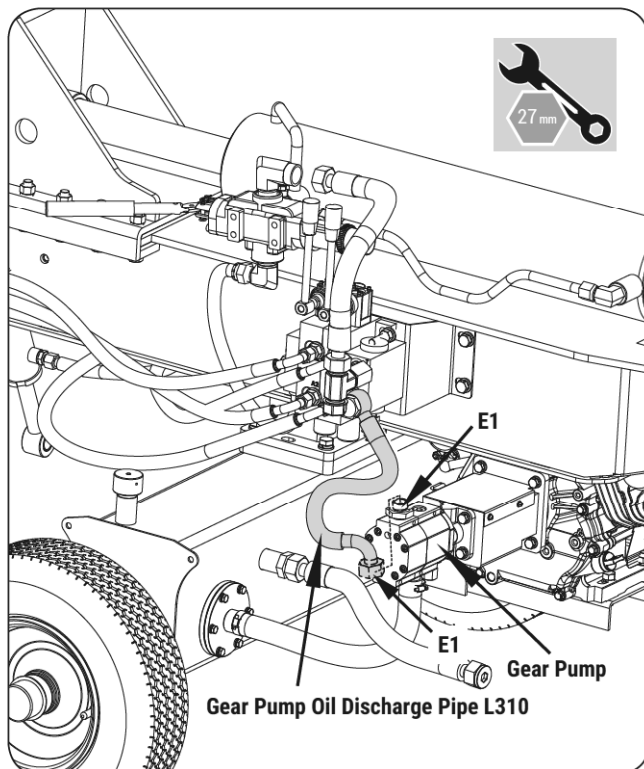
**Figure 7a**



**CAUTION**

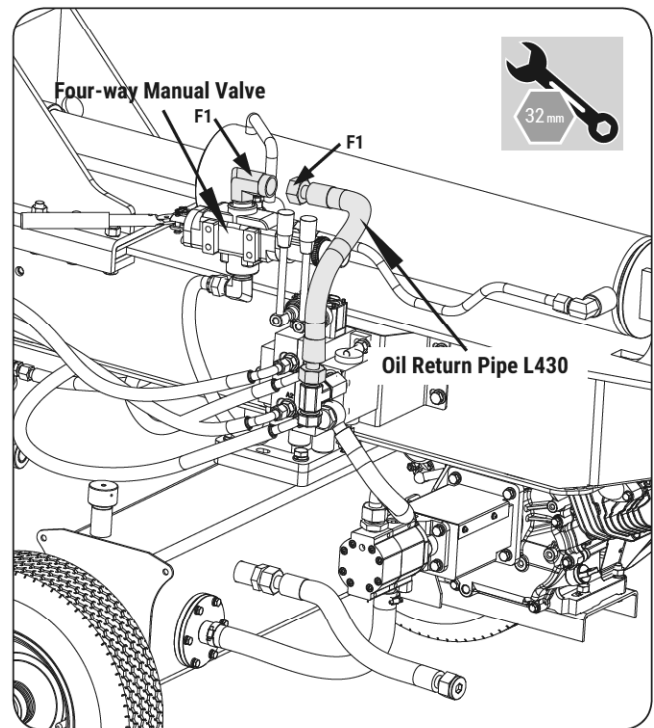
Be sure to remove the rubber plug before connecting the oil pipe. Failure to do so will cause machine malfunction.

2. Connect the E1 side of the Gear Pump Oil Discharge Pipe L310 to the gear pump and tighten with the 27mm wrench. (See **Figure 7b.**)



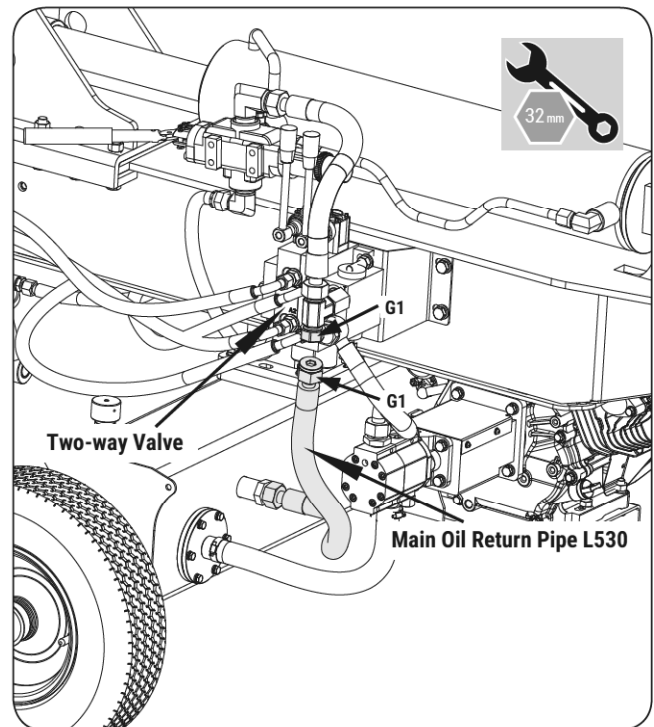
**Figure 7b**

3. Securely connect and tighten the F1 side of the Oil Return Pipe L430 to the Four-way manual valve. (See **Figure 7c.**)



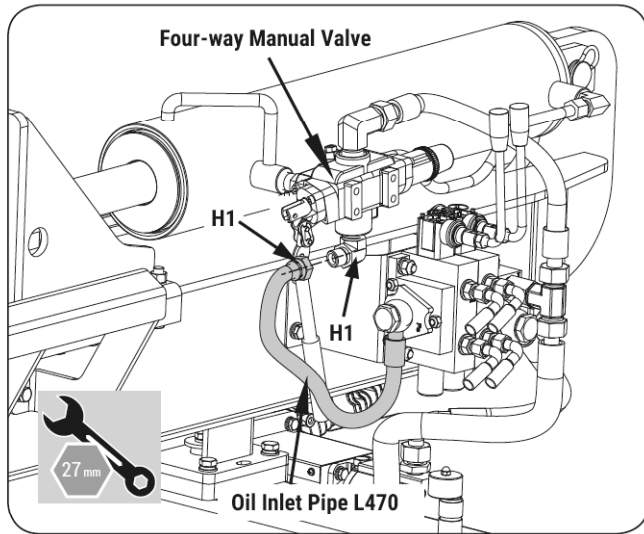
**Figure 7c**

4. Connect and tighten the G1 side of Main Return Oil Pipe L530 to the Two-way valve. (See **Figure 7d.**)



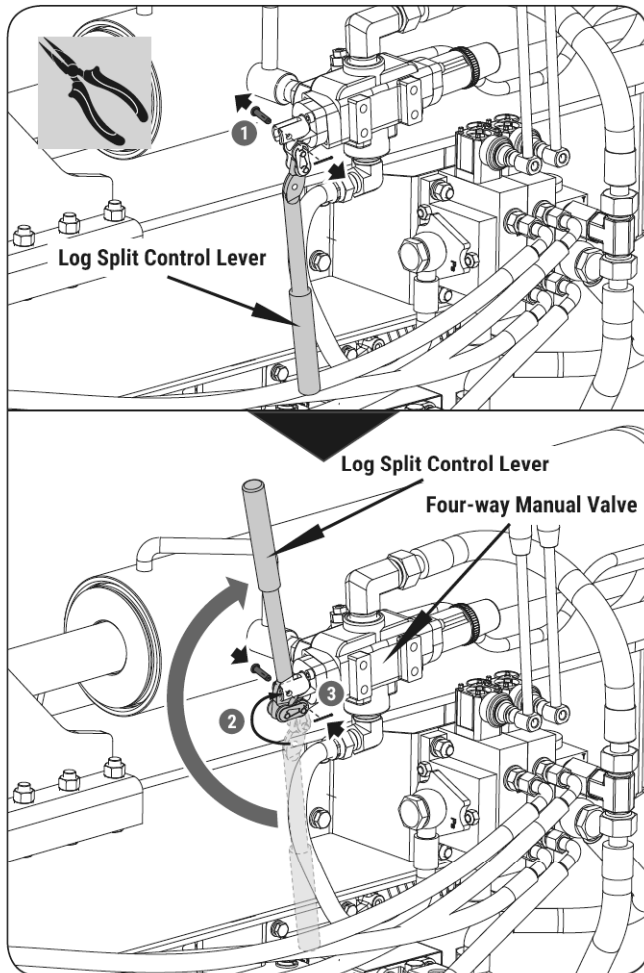
**Figure 7d**

4. Connect the H1 side of the Oil Inlet Pipe L470 to the Four-way manual valve and tighten with the 27mm wrench. (See **Figure 7e.**)



**Figure 7e**

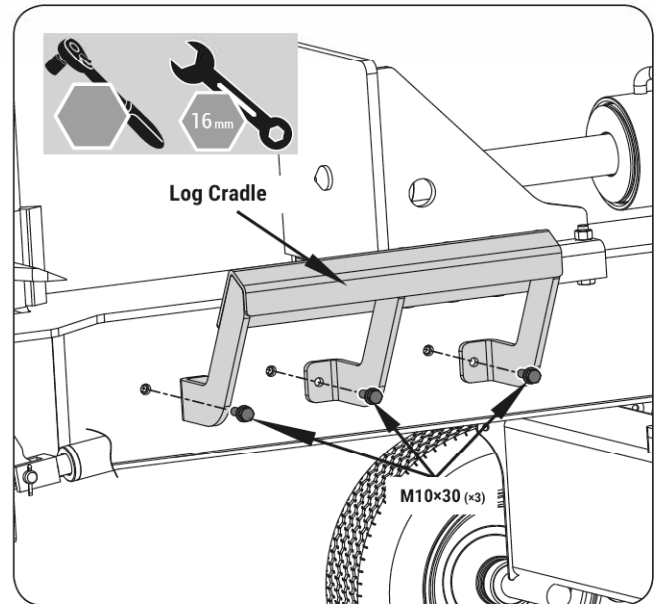
5. Remove the cotter pin from the log split control lever, align the hole on the lever with the hole on the Four-way manual valve, then insert the cotter pin to connect the lever to the valve. (See **Figure 7f.**)



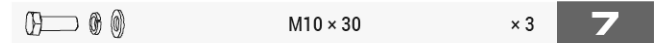
**Figure 7f**

## LOG CRADLE

Connect the Log Cradle to the frame and align the holes, tighten with the M10x30 bolts, spring washers and flat washers. (See **Figure 8.**)

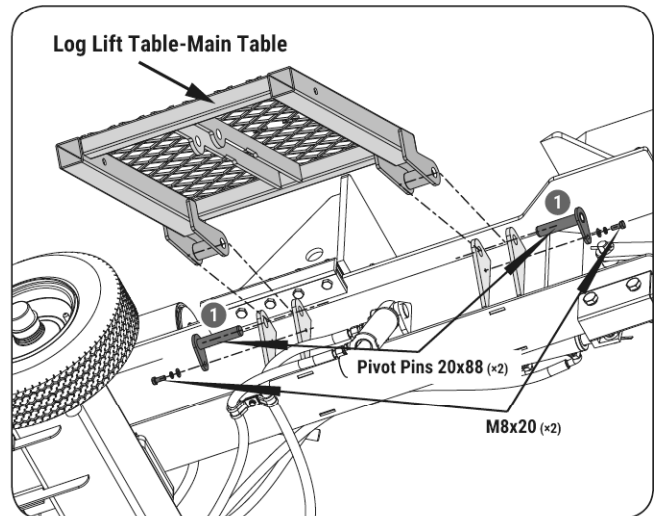


**Figure 8**



## LOG LIFT TABLE

1. Insert the Log Lift Table-Main Table into the frame pivot bracket and align the holes. Then insert the pivot pin 20x88 and gently tap with a hammer to ensure it is fully seated. Secure with the M8x20 bolts, spring washers and flat washers. (See **Figure 9a, Illustration 1.**)
2. Slowly lower the Log lift Table-Main table, then connect the Log Lift Table-Main Table to the Log Lift Table Cylinder and align the holes. Insert the pivot pin 20x81, secure with the flat washer and cotter pin. (See **Figure 9a, Illustration 2.**)



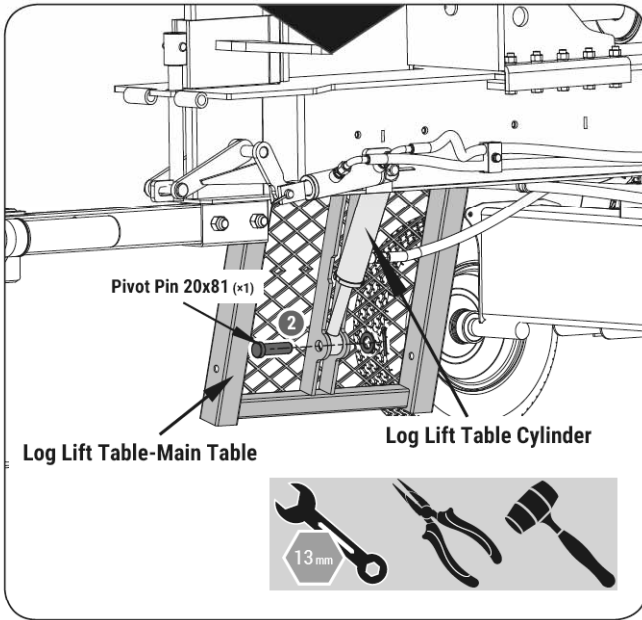


Figure 9a

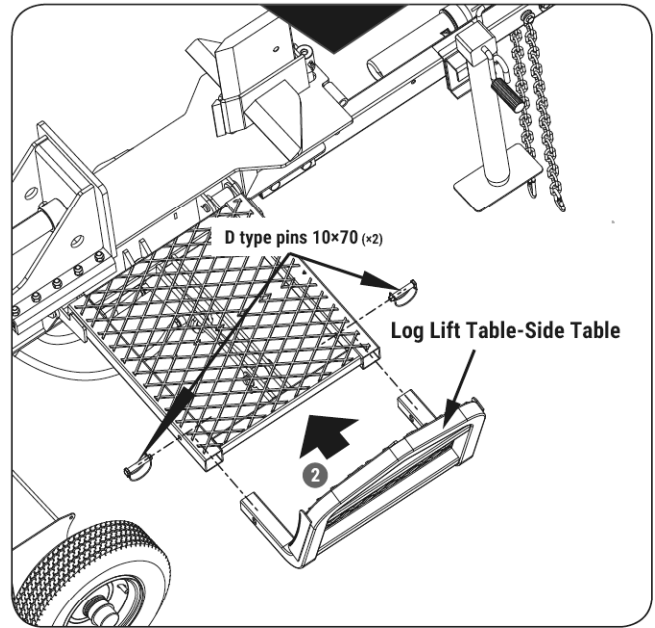


Figure 9b

	φ20 × 88	× 2	8
	M8 × 20	× 2	
	φ20 × 81	× 1	
	M20	× 1	
	4 × 35	× 1	

	10 × 70	× 2	9
--	---------	-----	---

**LOG TRAY**

1. Install the log tray bracket to the tow bar and align the holes. Screw with the M10x70 bolt and nut. (See **Figure 10a.**)

3. Pull the log lift control lever backward to raise the log lift table-main table, (See **Figure 9b, Illustration 1.**)
4. Insert the Log Lift Table-Side Table to the Main Table and screw with the D type pins 10x70. (See **Figure 9b, Illustration 2.**)

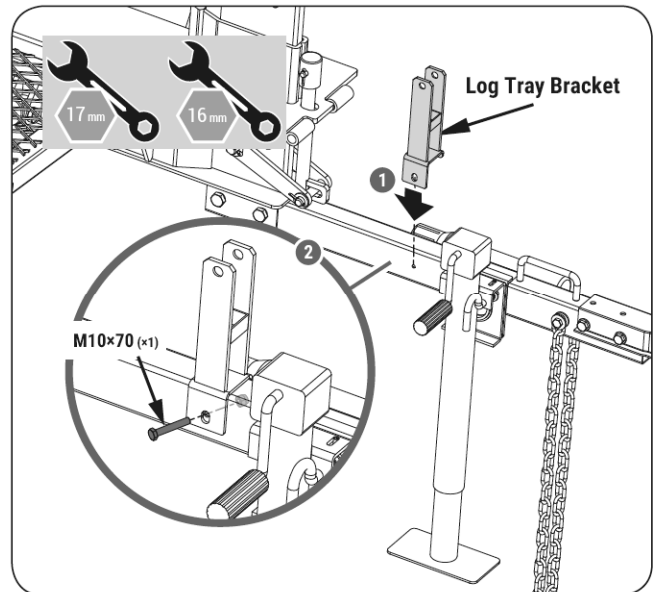
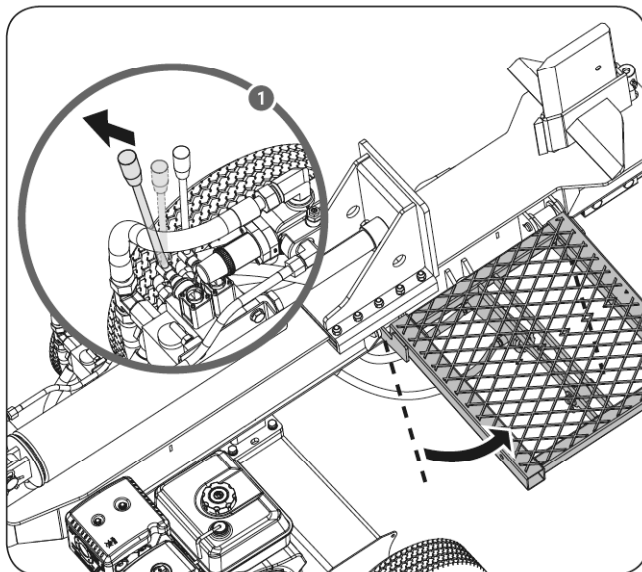
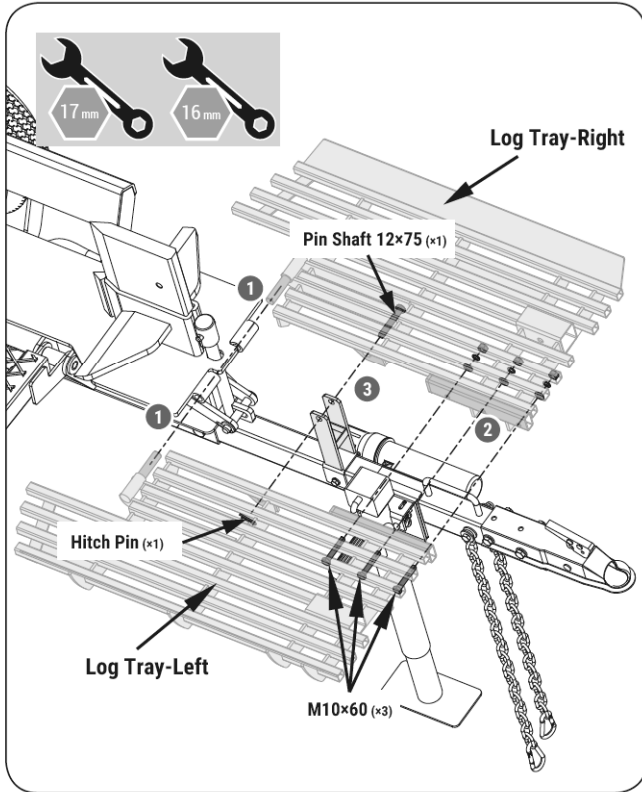


Figure 10a

	M10 × 70	× 1	10
--	----------	-----	----

2. Install the left and right log trays to the frame. (See **Figure 10b, Illustration 1.**)
3. Lift up the left and right log trays together, secure them with the M10x60 bolts, spring washers, flat washers and nuts. (See **Figure 10b, Illustration 2.**)
4. Lower the log trays, secure the log trays to the log tray bracket by 12x75 pin shaft and hitch pin. (See **Figure 10b, Illustration 3.**)



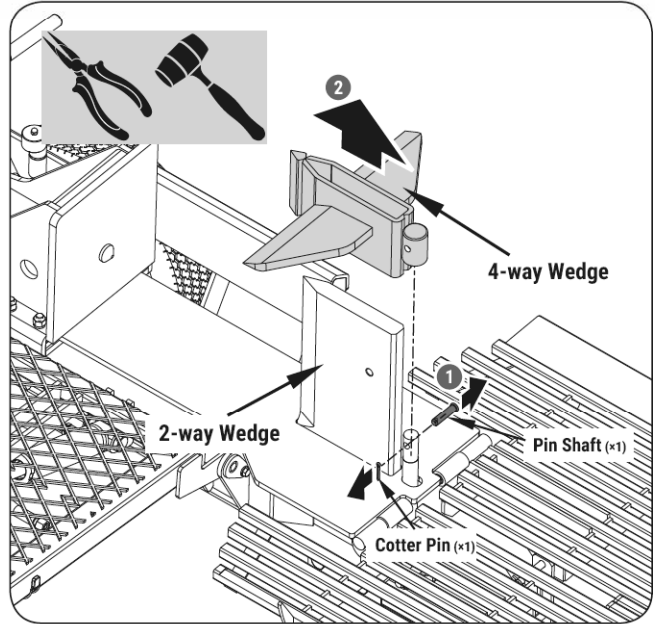
**Figure 10b**

	M10 x 60	x 3	11
	φ12 x 75	x 1	

## WEDGE

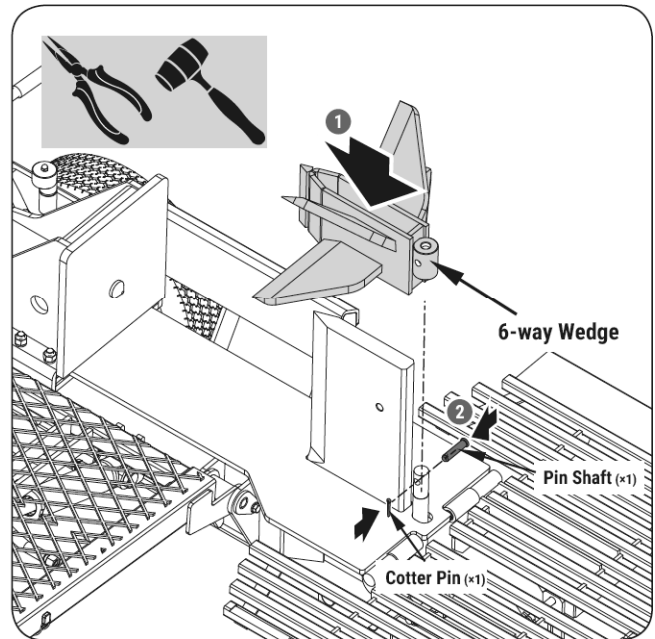
The product is assembled with the 4-way wedge.

1. Pull out the cotter pin, remove the pin shaft and slide up the 4-way wedge to take it off. You can now use the 2 way wedge. (See **Figure 11a.**)



**Figure 11a**

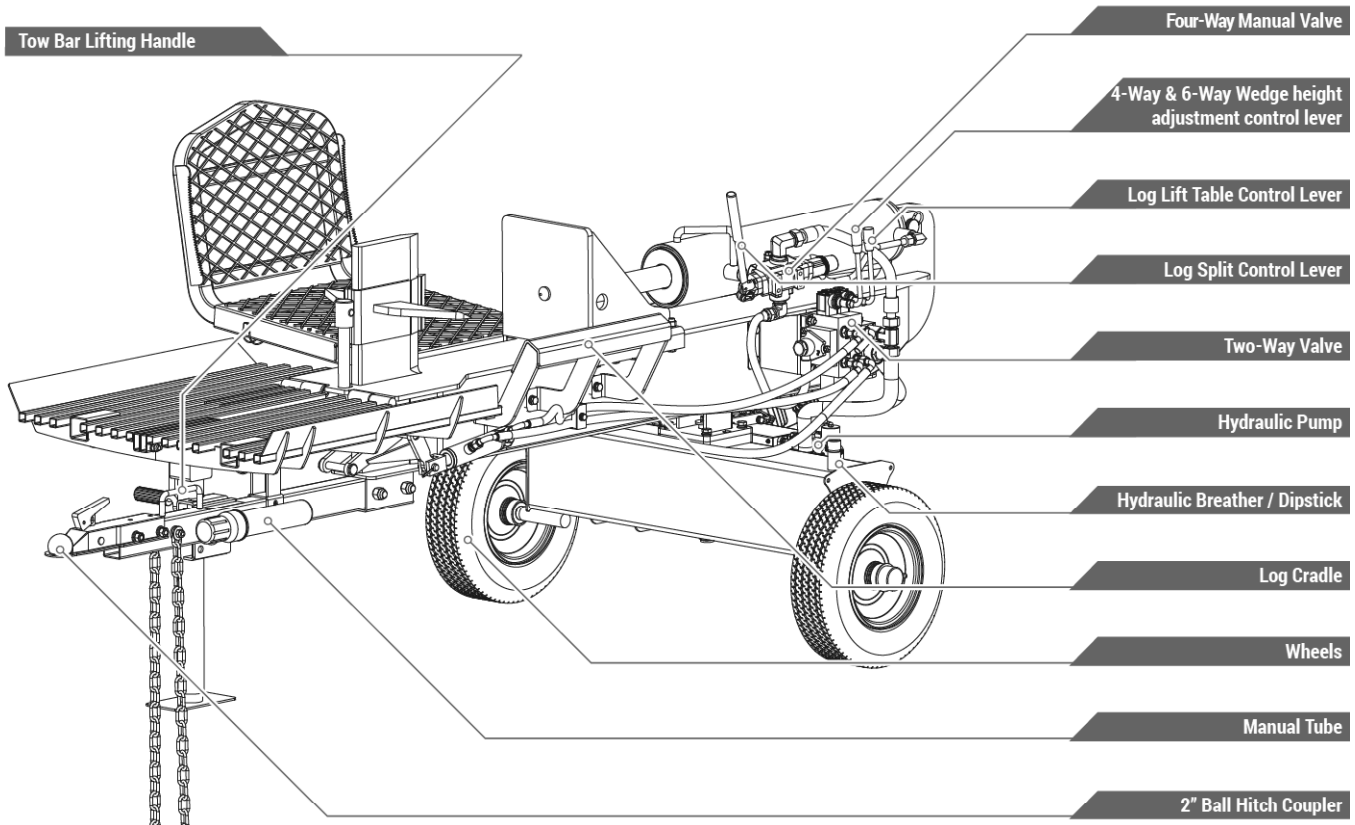
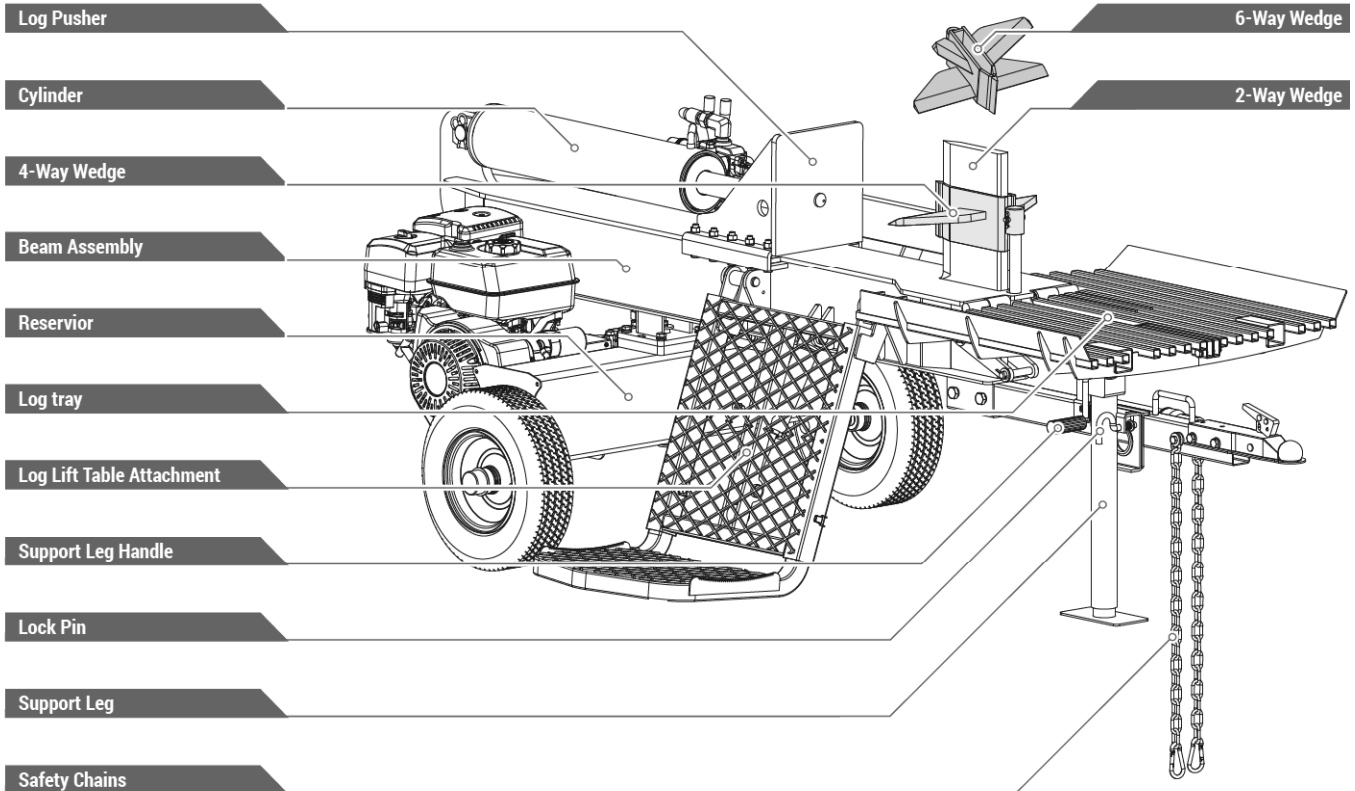
2. To use the 6-way wedge, simply slide it on top of the 2 way-wedge and secure it with the pin shaft and the cotter pin. (See **Figure 11b.**)

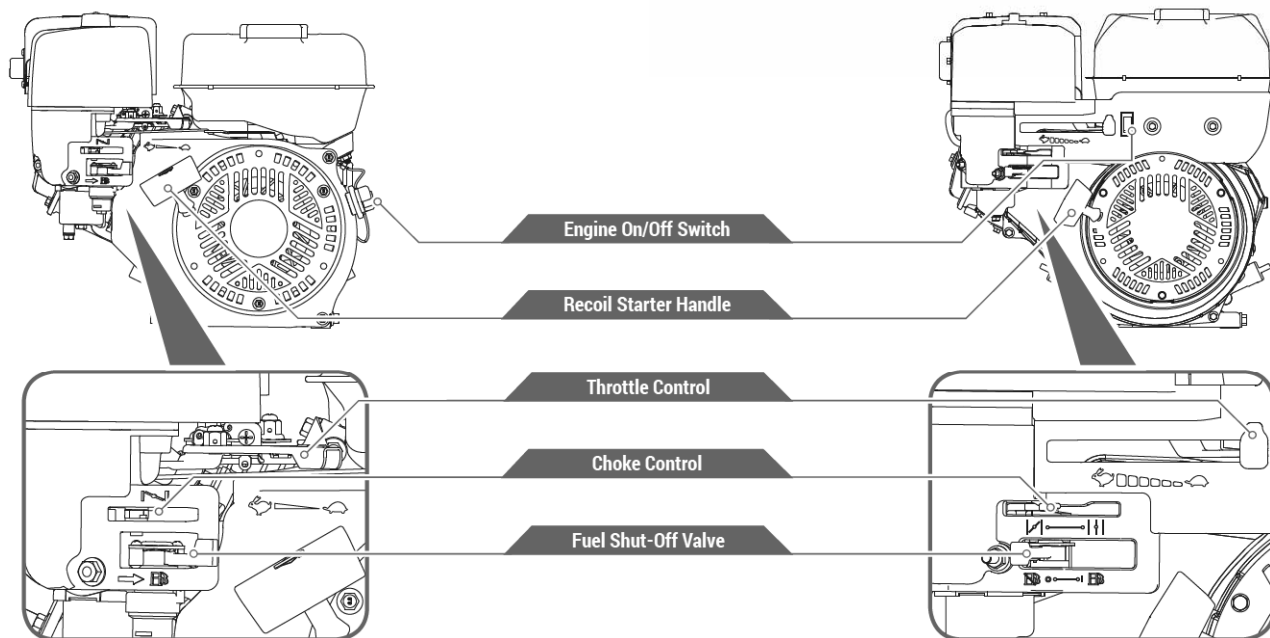


**Figure 11b**

## KNOW YOUR MACHINE

### FEATURES AND CONTROLS





#### 4-WAY & 6-WAY WEDGE HEIGHT ADJUSTMENT CONTROL LEVER

- » The split control handle is used for adjusting the wedge's position (up and down) to split logs. For detailed instructions, refer to the "operation" section.

#### MANUAL TUBE

- » Keep manuals safely in the tube.

#### 2" BALL HITCH COUPLER

- » The coupler hitch is at the end of the tow bar and attaches to a tow ball for transportation purposes.

#### BEAM ASSEMBLY

- » The box-beam structural design is significantly stronger than a typical I-beam design.

#### LOG LIFT TABLE ATTACHMENT

- » Easily lift the log from the ground to align it flush with the beam.

#### LOG LIFT TABLE CONTROL LEVER

- » The log lift table control lever is used to manage the up and down movement of the log lift table.

#### LOG SPLIT CONTROL LEVER

- » The log split control lever is used to move the log pusher forward and reverse to split the logs.

#### LOG TRAY

- » The log tray is designed to catch the log after it is split and provide a flat surface and worktable to put logs.

#### SUPPORT LEG

- » Supports log splitter while operating. Raise leg for towing.

#### LOCK PIN

- » Control the position of the Support Leg.

#### ENGINE ON/OFF SWITCH

- » The engine switch has two positions. OFF - engine will not start or run. ON - engine will start and run.

#### RECOIL STARTER HANDLE

- » The handle is used to start the engine.

#### FUEL SHUT-OFF VALVE

The fuel shut – off has two position.

- » CLOSED (🔒) - use this position to service, transport, or store the unit.
- » OPEN (🔓) - use this position to run the unit.

#### CHOKE CONTROL

- » The choke control is used to choke the carburetor and assist in starting the engine. The choke control slides between the CHOKE CLOSED (🔒) and CHOKE OPEN (🔓) positions.

#### THROTTLE CONTROL

- » The throttle control regulates the speed of the engine and will shut off the engine when it is moved to the STOP position. The throttle control moves between FAST (🏎️), SLOW (🐢), and STOP (🛑) positions.

## OPERATION

### **! DANGER**

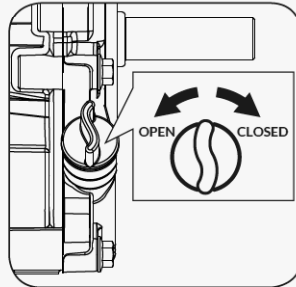
Many accidents occur when more than one person operates the log splitter. If a helper is assisting in loading logs to be split, never operate the controls until the helper is clear of the area.

### **! WARNING**

The engine is shipped without oil. Do not start the engine before adding oil.

### ADD OIL TO ENGINE

1. Make sure the log splitter is on a flat, level surface.
2. Remove the oil fill cap/dipstick to add oil.
3. Using a funnel, add oil up to the FULL mark on the dipstick. (See engine manual for oil capacity, oil recommendation, and location of fill cap.)



### **! CAUTION**

DO NOT OVERFILL. Check engine oil level daily and add as needed.

### ADD GASOLINE TO ENGINE

### **! DANGER**

Gasoline is highly flammable and explosive. You can be burned or seriously injured when handling fuel. Use extreme care when handling gasoline.

### **! DANGER**

Fill the fuel tank outdoors, never indoors. Gasoline vapors can ignite if they collect inside an enclosure. Explosion can result.

1. The engine must be off and allowed to cool at least two minutes before adding fuel.
2. Remove the fuel filler cap and fill the tank. (See engine manual for fuel capacity, fuel recommendation, and location of fuel cap.)

### **! WARNING**

**IMPORTANT: DO NOT OVERFILL!** This equipment and/or its engine may include evaporative emissions control system components, required to meet EPA and/or CARB regulations, that will only function properly when the fuel tank has been filled to the recommended level. Overfilling may cause permanent damage to evaporative emissions control system components. Filling to the recommended level ensures a vapor gap required to allow for fuel expansion.

### **! WARNING**

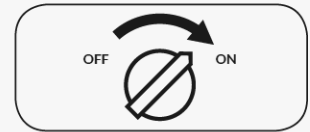
**IMPORTANT: DO NOT OVERFILL!** Pay close attention while filling the fuel tank to ensure that the recommended fuel level inside the tank is not exceeded. Use a portable gasoline container with an appropriately sized dispensing spout when filling the tank. Do not use a funnel or other device that obstructs the view of the tank filling process.

3. Reinstall the fuel cap and tighten. Always clean up spilled fuel.

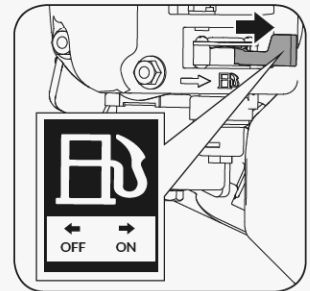
### STARTING ENGINE

1. Make sure the control lever is in the neutral position.

2. Move the engine switch to the ON position.

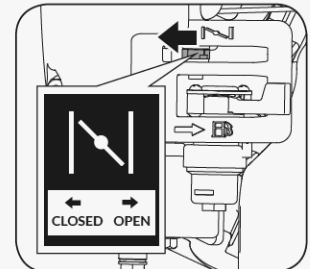


3. Open the fuel shut-off valve.

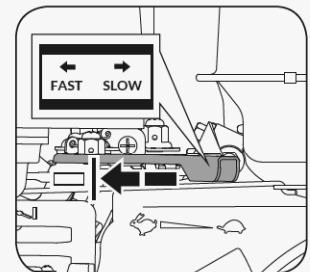


4. Move the choke lever to the CLOSED position.

» If the engine is hot, closing the choke is not necessary.



5. Move the throttle lever slightly to the FAST speed.



6. Pull the recoil starter until engine compression has become difficult to pull. Let the recoil return to the home position, then pull quickly to start the engine. Repeat steps as needed. Fully open the choke and set the throttle to the FAST position, before operating the unit.

**⚠ WARNING** Rapid retraction of the starter cord (kickback) will pull your hand and arm toward the engine faster than you can let go. Broken bones, fractures, bruises, or sprains could result.

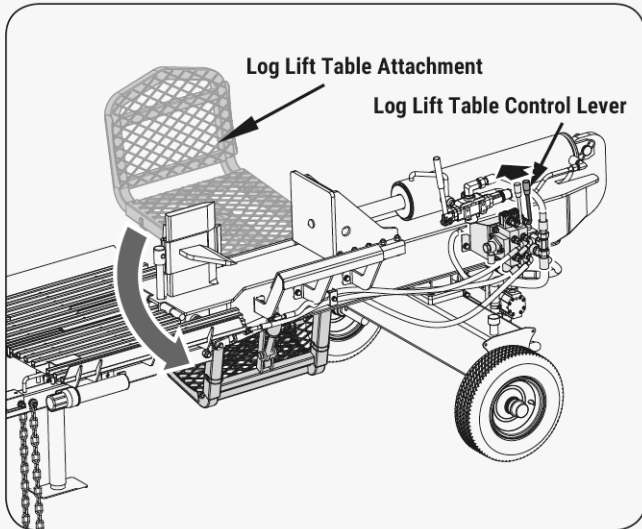
**STOP ENGINE**

Return the cylinder to fully retracted position or home position. Move the Throttle lever to SLOW (←). Move the engine switch to OFF. Close the fuel shut-off valve (⏻).

**⚠ WARNING** Sudden stopping at a high speed under a heavy load is not recommended. Engine damage may result.

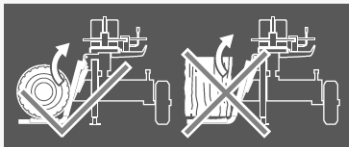
**LOG LIFT TABLE ATTACHMENT OPERATION**

1. When the log lift table attachment aligns with the beam, push the log lift table control lever forward. This action will gradually lower the log lift table. Once it reaches the desired height, release the control lever. (See Figure 12a.)



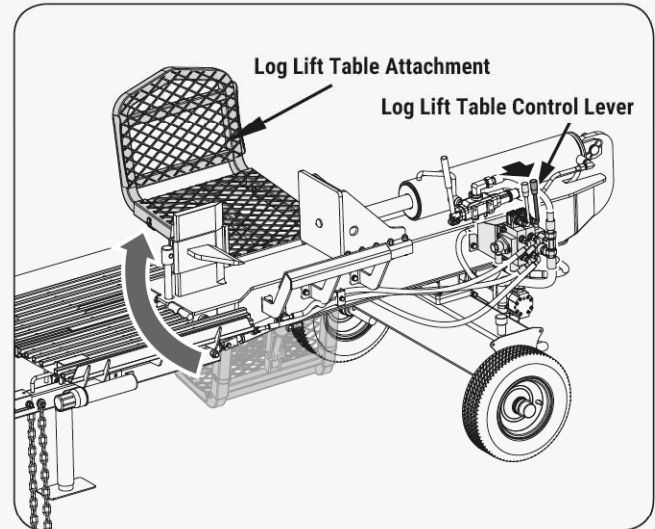
**Figure 12a**

2. Ensure the log lift table has stopped moving, then proceed to load the log onto the table.



**⚠ WARNING** Wrong direction of the log may cause roll and fall when rising.

3. Make sure the log is placed on the table securely, then pull the log lift control lever backward, the log lift table will start to rise. (See Figure 12b.)



**Figure 12b**

4. Move the log from log lift table to the beam and against the wedge.

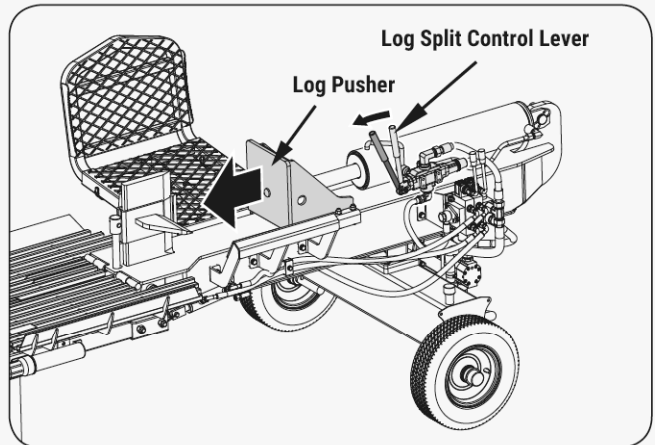
**⚠ WARNING** Keep away from rotating parts and any moving parts. Do not remove the safe guard-rail. Do not make logs too large or heavy, risk of damage.

**⚠ WARNING** Make sure the platform is clear and keep hands away from the splitting stroke!

**LOG SPLIT CONTROL LEVER**

1. Move and hold the log split control lever towards to wedge to extend the log pusher. The log will split and fall onto the log tray table. (See Figure 13a.)

**📌 NOTE** Split the log in the direction of the grain. Be careful of falling logs.



**Figure 13a**

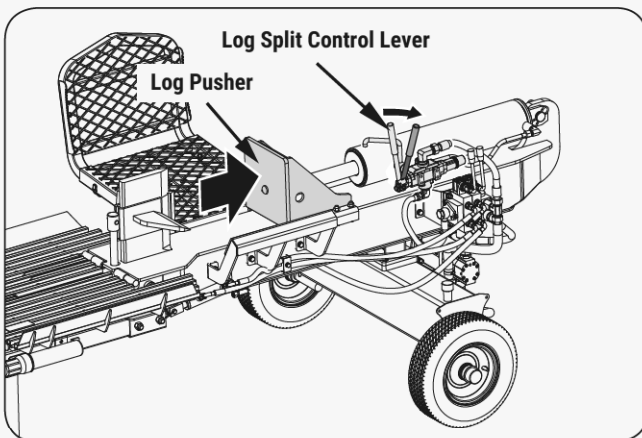
**NOTE** The log pusher is designed to reach the full extension before contacting the splitter wedge.

**NOTE** To extend the life of the hydraulic cylinder, avoid "bottoming out" the log pusher to the wedge. To conform with industry safety recommendations, the pusher stops 1.8 inches from the end of the wedge, and 0.6 inches from the end of the 4-way & 6-way wedges.

**WARNING** Never operate through the relief valve for more than 5 seconds.

**DANGER** Cracks in logs can close quickly and pinch fingers. Keep fingers away from any cracks that open in partially split logs.

2. Move the log split control lever away from the wedge to retract the log pusher. (See **Figure 13b**.)



**Figure 13b**

**NOTE** In neutral position the log pusher does not move even though the engine is running.

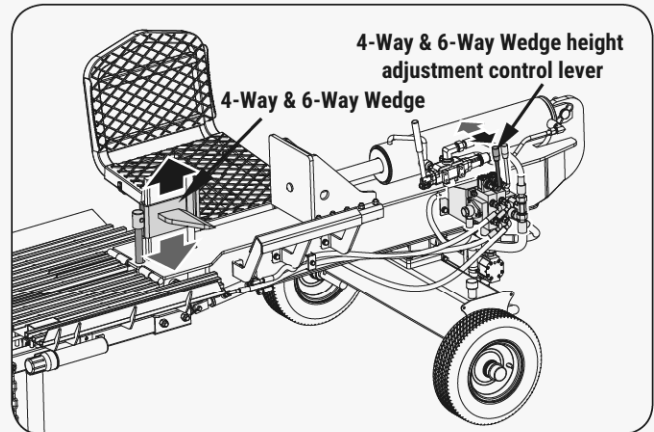
**DANGER** When log pusher is moving, keep hands away from wedge, pusher and cylinder, also away from any space in between.

**4-WAY & 6-WAY WEDGE HEIGHT ADJUSTMENT CONTROL LEVER**

1. This product includes both the 4-way wedge and the 6-way wedge. Select and install the one that best suits your needs.

**WARNING** Select and install the wedge you need before proceeding with any operation to avoid injury.

2. Push the 4-Way & 6-Way Wedge height adjustment control lever forward to lower the wedge. Push backward to raise it. Make the cutting point as close as possible to the center of the log. (See **Figure 14**.)



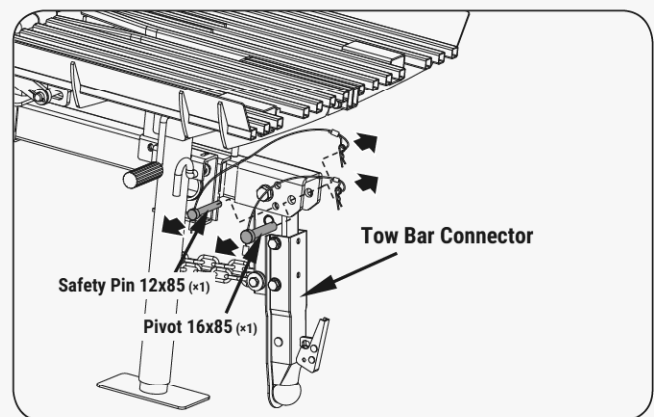
**Figure 14**

**WARNING** The wedge can only split straight-grained Log! Logs with knotty & twisted grained will damage wedges and machine!

**WARNING** The heights of the 4-Way & 6-Way wedge can only be adjusted before splitting, otherwise the wedge will be damaged.

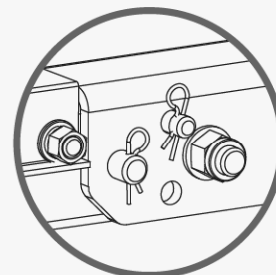
**TOW BAR OPERATION**

1. If using the log conveyor to transport split wood, remove the pivot and safety pin, flip the tow bar, and place the log conveyor in position. The split wood can then be conveyed and transported. (See **Figure 15**.)



**Figure 15**

2. For transporting the log splitter, flip the tow bar up, secure it with the pivot and safety pin, and ensure everything is properly installed.



# TRANSPORTING

## MOVING BY HANDS



### DANGER

The log splitter is heavy. It can crush and cause serious injury if it rolls out of control or tips over.

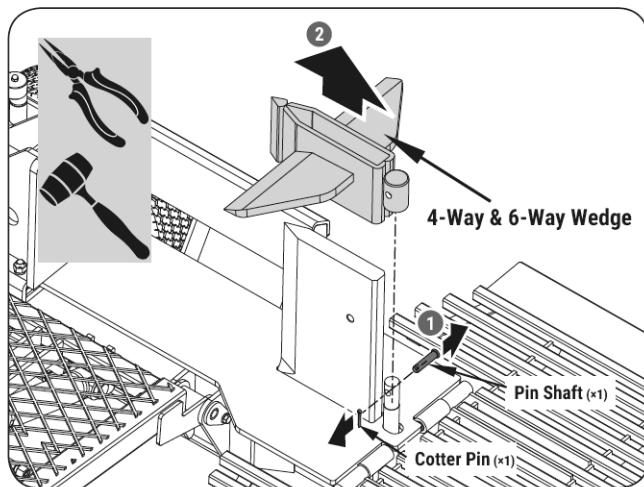


### DANGER

Make sure the log splitter engine is off. Never move the log splitter with its engine running.

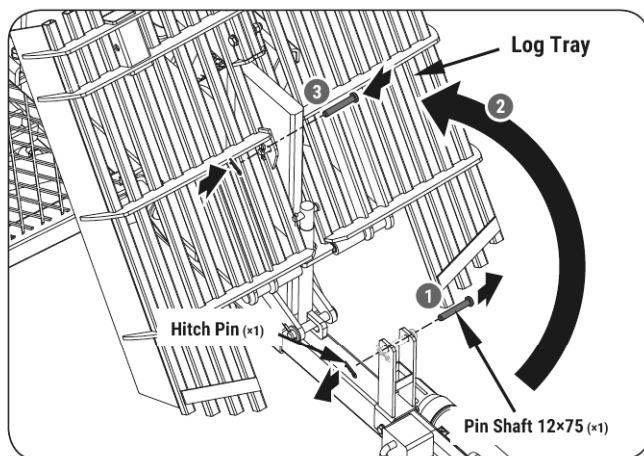
Follow the instructions below for safely moving the log splitter.

1. Turn the fuel shut-off valve to the OFF position. This action prevents carburetor flooding and minimizes the risk of fuel leakage. Please consult the engine manual for the location of the fuel valve.
2. Remove the 4-way or 6-way wedge before moving. (See **Figure 16a.**)



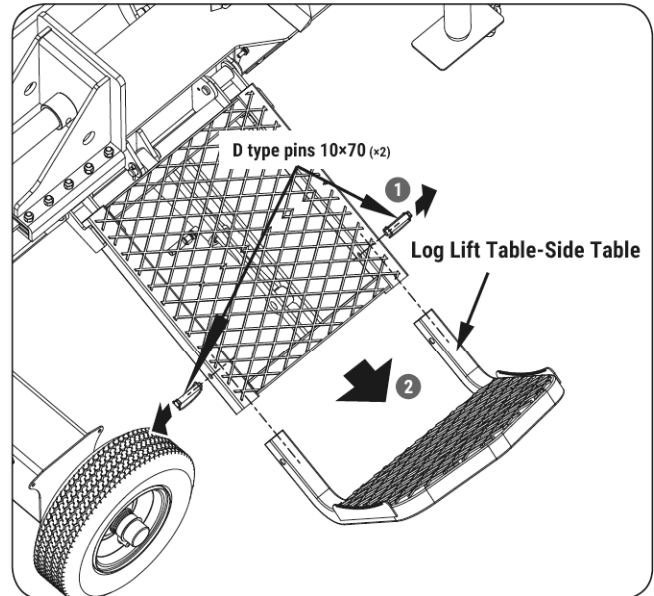
**Figure 16a**

3. Remove the M12x75 pin shaft and hitch pin, flip the Log Tray up, then reinsert the M12x75 pin shaft and hitch pin to secure the Log Tray onto the wedge frame. (See **Figure 16b.**)



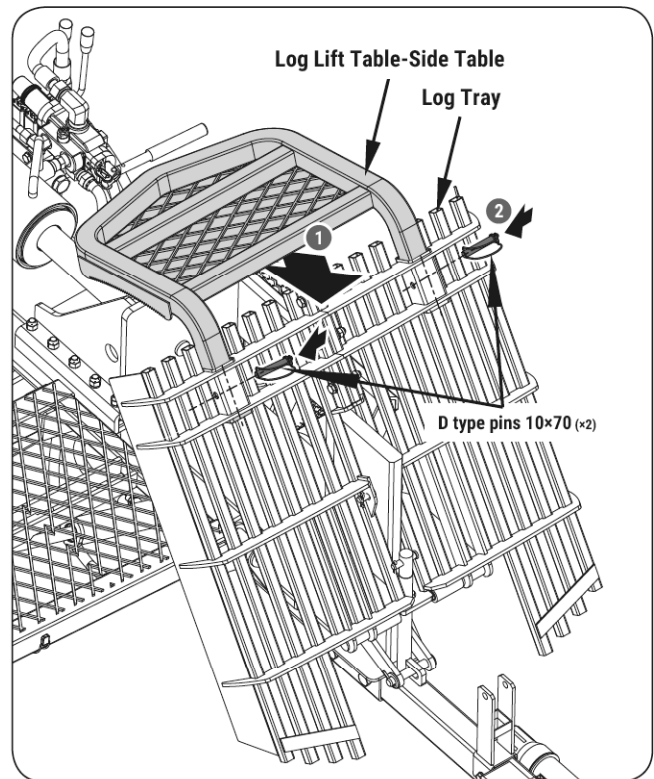
**Figure 16b**

4. Remove the D type pins 10x70 and take off the Log Lift Table-Side Table. Then adjust the height of the Lift Table-Main Table, ensuring the outermost edge of the table does not exceed the edge of the wheel, to prevent collisions during transportation. (See **Figure 16c.**)



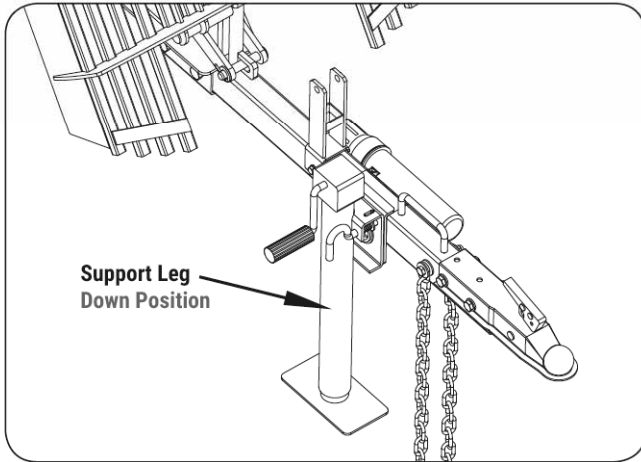
**Figure 16c**

5. Connect the Log Lift Table- Side Table to the Log Tray and secure it with the D type pins 10x70. (See **Figure 16d.**)



**Figure 16d**

- Lock the support leg in the DOWN position before you move the log splitter. (See **Figure 16e.**)



**Figure 16e**

- Move the log splitter by hand to desired work site.

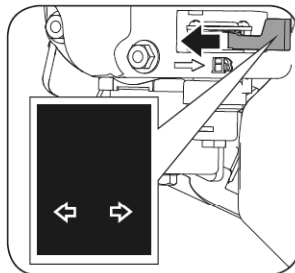
**WARNING** Do not move the log splitter up or down hills by hand.

**DANGER** Never allow anyone to sit or ride on the log splitter.

**WARNING** Never transport cargo or wood on the log splitter.

**TOWING BY VEHICLE**

- Turn the fuel shut-off valve off. This prevents fuel from flooding the engine.

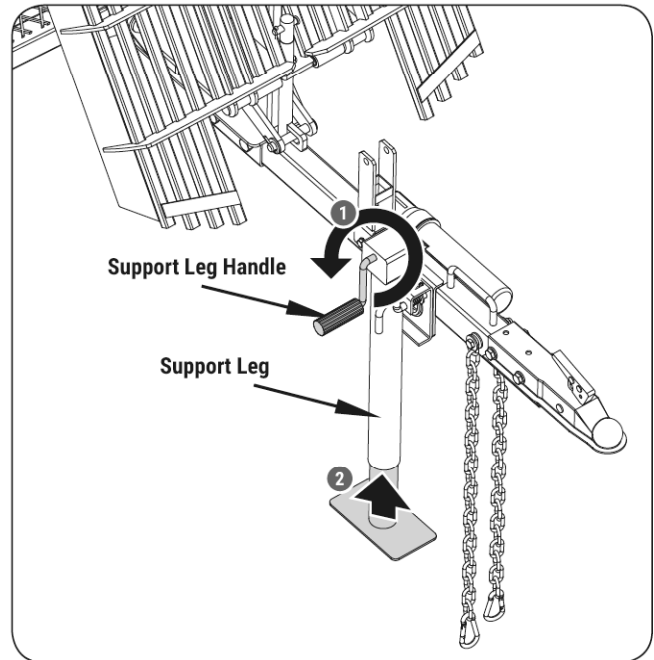


- Check the tires to ensure they are fully inflated to 30 PSI for proper functionality.

**WARNING** Do not overinflate tires. Serious injury can occur if tire explodes.

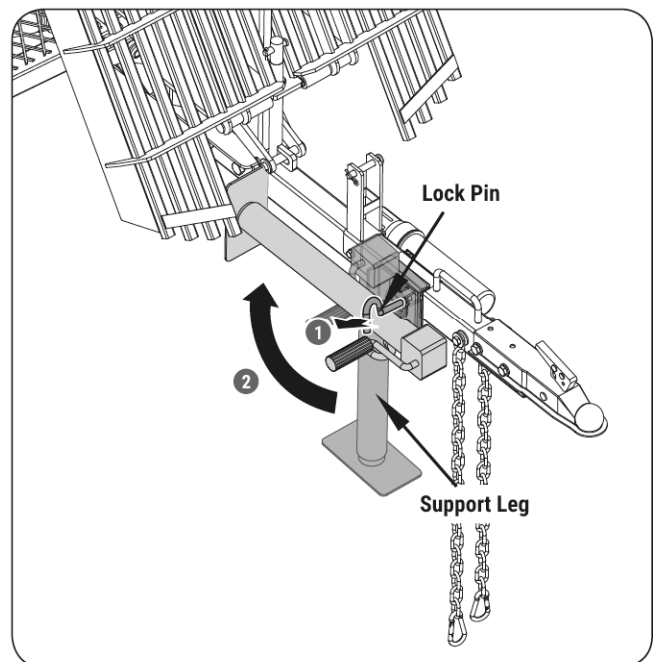
**WARNING** When seating a bead after repair, do not exceed 30 PSI. Pressures higher than 30 PSI can cause the tire and wheel to rupture and explode.

- Make sure hitch is in good working order.
- Turn the support leg handle counterclockwise to slightly lower the height of the support leg. (See **Figure 17a.**)



**Figure 17a**

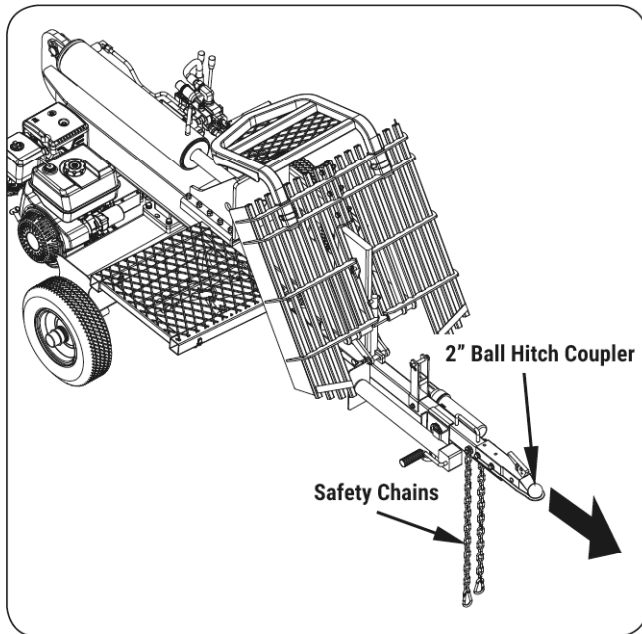
- Pull the lock pin and pivot the support legs to a parallel position with the tow bar. (See **Figure 17b.**)



**Figure 17b**

- Inspect the safety chains. Two safety chains are mandatory for towing. Cross the safety chains under the coupler, ensuring there is only enough slack to accommodate vehicle turns.

7. Tow the log splitter carefully to desired work site. (See **Figure 17c.**)



**Figure 17c**

**CAUTION** Be aware of the added length of the splitter.

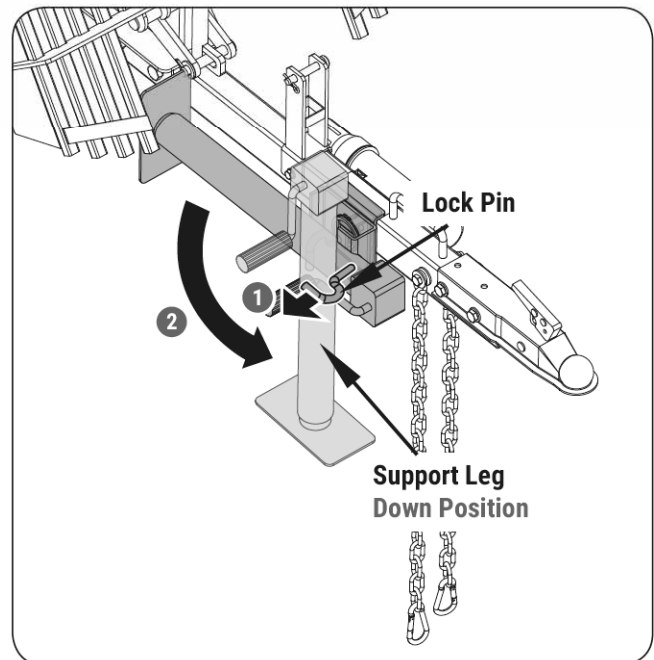
**DANGER** Never tow this log splitter over 45 mph. Faster speeds may result in loss of control.

**DANGER** Drive slowly and take extra caution when traveling over rough terrain.

**DANGER** If towing on a public road, make sure to comply with all local, state, and federal towing requirements. It is the sole responsibility of the purchaser to obtain licensing, trailer lights, safety chains, or signage as needed to comply.

**WARNING** Turn off the towing vehicle before leaving the splitter unattended.

8. Pull the lock pin, rotate and lock the support leg in the DOWN position and disconnect from vehicle. (See **Figure 17d.**)



**Figure 17d**

**DANGER** Never operate the log splitter while it is attached to the vehicle.

## MAINTENANCE

Inspect and maintain the log splitter before each use. If the log splitter has been used previously, it must be inspected and maintained before each subsequent use.

Always shut off the engine and relieve system pressure before inspecting, cleaning, adjusting, or repairing the splitter. Relieve system pressure by moving the split control lever back and forth several times.

Remove debris from the engine, muffler, and moving parts. Debris on a hot engine can be a fire hazard. Clean debris and chaff from the engine cylinder head, cylinder head fins, blower housing rotating screen, and muffler areas.

**! DANGER** Avoid contact with hot muffler.

**! CAUTION** Debris on moving parts can cause excess wear. Clear debris from the slide beam, wedge, and log pusher.

### OIL DRAINING

Use a drain pan to aid in the removal of all used oil and particles.

Remove oil drain plug to drain oil from the hydraulic transmission system. Examine oil for metal chips as a precaution to future problems.

After oil has been completely drained from the machine, reinstall drain plug.

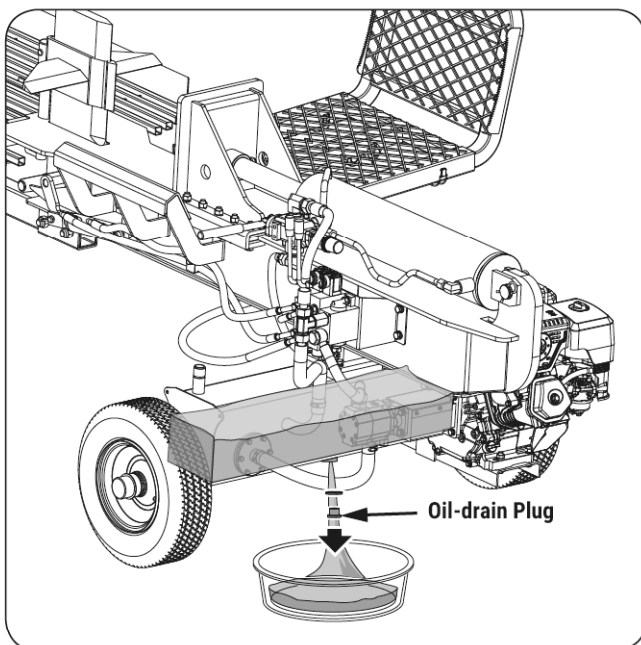


Figure 18

### ADD HYDRAULIC OIL TO OIL TANK

1. Make sure the log splitter is on a flat, level surface.
2. Remove the oil dipstick from the oil tank.

**! WARNING** Never remove the hydraulic oil dipstick when the engine is running or hot. Hot oil can escape causing severe burns. Allow the log splitter to cool completely before removing the hydraulic oil dipstick.

3. The recommended hydraulic oil type:  
10W AW32  
ASLE H-150  
ISO 32

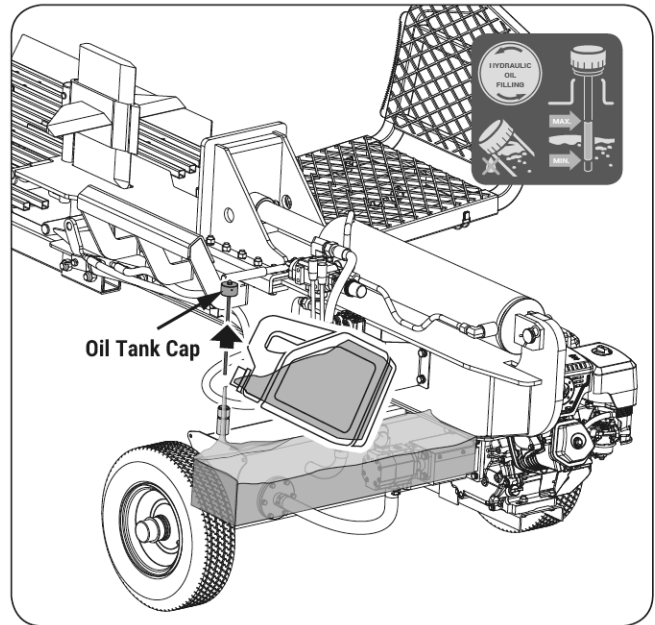


Figure 19

4. Make sure the hydraulic oil level reaches the upper line of the dipstick.

**! CAUTION** Completely install the dipstick when checking oil level.

5. Start the engine and use the control valve handle to extend and retract the wedge five times to remove air from the high pressure lines.
6. With the log pusher retracted and engine off, check the oil level again. Fill if necessary.
7. Cycle the cylinder again until it has a constant speed. This indicates that all air has been expelled.
8. Please refer to engine manual for proper maintenance of gasoline engine.

## STORAGE

Follow the instructions below for storing your log splitter between uses.

1. Retract the log pusher completely to keep the rod protected from corrosion.
2. Allow the machine to cool 5 minutes before storing.
3. Clear the debris from the beam, wedge, and log pusher. Use a damp cloth to clear exterior surfaces of the engine and log splitter. Use a soft bristle brush to remove excess dirt and oil. Use an air compressor (25 PSI) to clear dirt and small debris. Wipe the beam, wedge, and all metal parts with an oil rag to prevent corrosion.

**! WARNING** Never spray the engine or log splitter with a pressure washer. Water can contaminate the fuel system and can enter the engine and damage the engine.

4. Refer to the engine manual for proper engine storage instructions.

**! DANGER** Gasoline can become stale when stored over 30 days. Stale fuel can cause acid and gum deposits that form in the fuel system or on carburetor parts. For engine fuel that is stored less than 30 days, add a fuel stabilizer to keep the fuel fresh. Turn the fuel valve lever to the off position. If fuel is stored over 30 days, then drain the fuel tank as stated in the engine manual.

**! DANGER** Always drain fuel from the tank in an outdoor, well-ventilated area.

Stay away from sources of heat, flame, or sparks while handling fuel.

Clean up fuel spills immediately.

5. Store the log splitter in a location away from corrosive materials, sources of heat, open flames, sparks, or pilot lights.

**! DANGER** Never store the log splitter inside where there is a source of heat or an open flame, spark, or pilot light, such as a water heater, space heater, furnace, clothes dryer, or other gas appliance. EVEN IF the log splitter's fuel tank is empty, residual gasoline vapors could ignite.

Never store the log splitter near fertilizer or any other corrosive material.

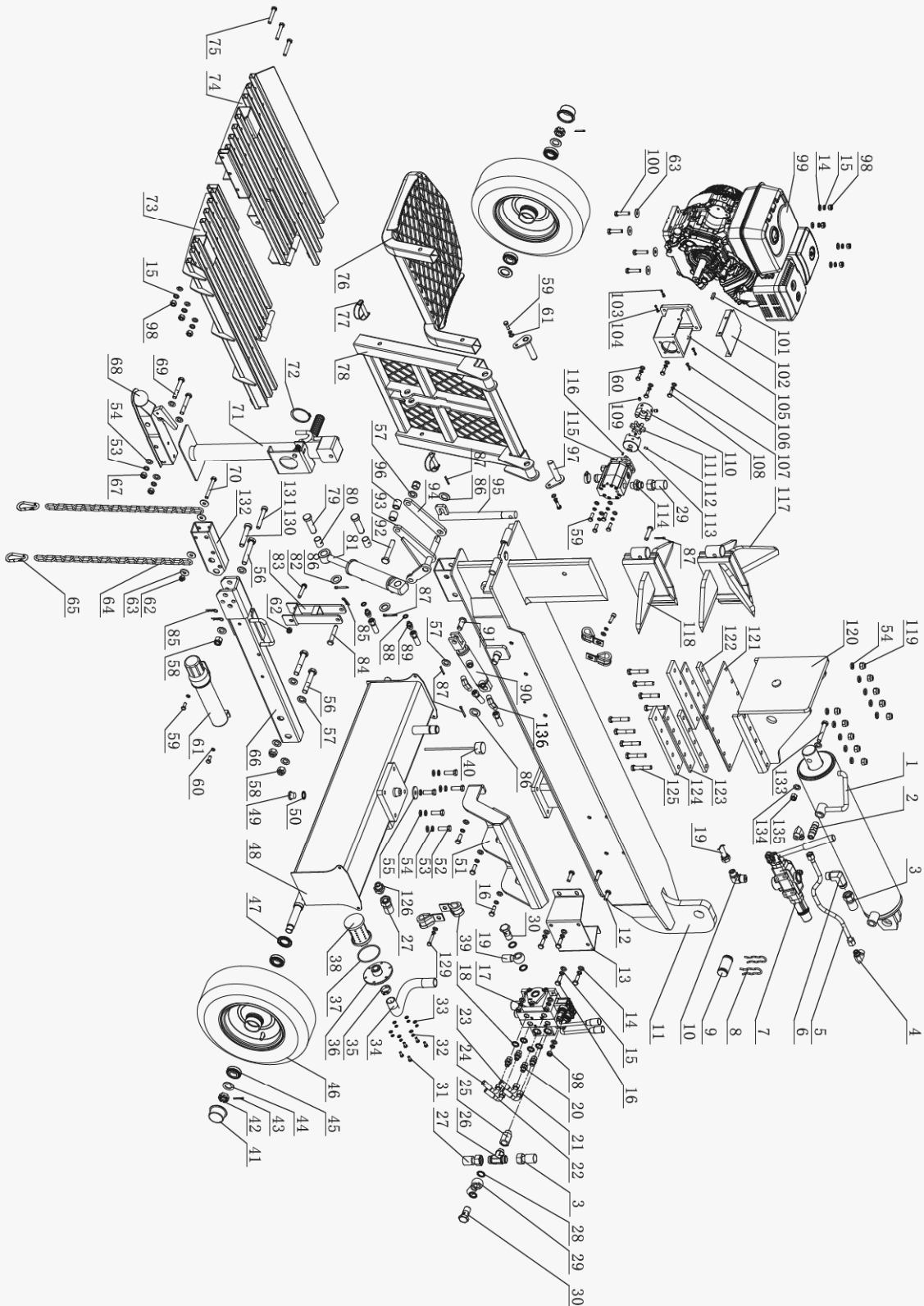
6. Store gasoline in a cool, dry place in a UL listed tightly sealed container.

**! DANGER** Gasoline vapors can ignite if they collect inside an enclosure and explosion can result.

## TROUBLESHOOTING

Problem	Cause	Remedy
Log pusher movement is slow or erratic	<ol style="list-style-type: none"> <li>1. Air in the hydraulic oil system</li> <li>2. Debris lodged in beam guides</li> <li>3. Low hydraulic oil</li> <li>4. Dirty oil filter</li> </ol>	<ol style="list-style-type: none"> <li>1. Purge air by extending and retracting the log pusher several times until motion is smooth</li> <li>2. Clear debris from beam</li> <li>3. Check oil level and add as needed</li> <li>4. Clear the oil filter or replace it with a new one</li> </ol>
Oil leak from cylinder	<ol style="list-style-type: none"> <li>1. Faulty cylinder rod seal</li> <li>2. Scored or bent cylinder rod</li> <li>3. Loose hydraulic fitting</li> <li>4. Faulty combination washer seal on cylinder hydraulic fitting</li> </ol>	<ol style="list-style-type: none"> <li>1. Contact customer service</li> <li>2. Contact customer service</li> <li>3. Tighten hydraulic fitting</li> <li>4. Contact customer service</li> </ol>
Oil leak from hose connection	Loose hose clamp or hydraulic fitting	Tighten hose clamp or hydraulic fitting
Log pusher will not extend or retract	<ol style="list-style-type: none"> <li>1. Faulty control valve</li> <li>2. Faulty hydraulic pump</li> <li>3. Low hydraulic oil</li> </ol>	<ol style="list-style-type: none"> <li>1. Contact customer service</li> <li>2. Contact customer service</li> <li>3. Check oil level and add as needed</li> </ol>
Log pusher does not auto-return	<ol style="list-style-type: none"> <li>1. Low hydraulic oil</li> <li>2. Faulty control valve</li> <li>3. Debris log ged in beam guides</li> </ol>	<ol style="list-style-type: none"> <li>1. Check oil level and add as needed</li> <li>2. Contact customer service</li> <li>3. Clear debris from beam</li> </ol>
Excessive bouncing while towing	Underinflated	Inflate tires to proper pressure
Control valve handle does not return to neutral when released from forward position	<ol style="list-style-type: none"> <li>1. Hydraulic oil too cold</li> <li>2. Hydraulic oil too thick</li> <li>3. Hydraulic oil contaminated</li> <li>4. Faulty control valve</li> </ol>	<ol style="list-style-type: none"> <li>1. Warm up engine</li> <li>2. Replace hydraulic fluid</li> <li>3. Replace hydraulic fluid</li> <li>4. Contact customer service</li> </ol>
Engine will not start	<ol style="list-style-type: none"> <li>1. Engine switch in OFF position</li> <li>2. Fuel shut-off valve in OFF position</li> <li>3. Fuel tank empty</li> <li>4. Spark plug disconnected</li> <li>5. Faulty spark plug</li> <li>6. Choke lever in wrong position</li> <li>7. Faulty engine</li> </ol>	<ol style="list-style-type: none"> <li>1. Move switch to ON position</li> <li>2. Move valve to ON position</li> <li>3. Fill fuel tank with fuel</li> <li>4. Connect spark plug</li> <li>5. Replace spark plug</li> <li>6. Adjust choke lever position</li> <li>7. Contact customer service</li> </ol>

# PARTS DIAGRAM



**PARTS LIST**

No.	Description	Qty	No.	Description	Qty
1	Cylinder	1	36	Flange Of Filter	1
2	Valve Connector	1	37	O-Ring D81x3.1	1
3	Oil Return Pipe L430	1	38	Mesh Filter	1
4	Right-Angle Fitting 1	2	39	Pipe Clamp 40	4
5	Metal Oil Pipe	1	40	Oil Dipstick	1
6	Right-Angle Fitting 2	1	41	Wheel Cap	2
7	Four-Way Manual Valve	1	42	Axle Nut M22x1.5	2
8	U-Shape Pin	2	43	Cotter Pin 4X50	2
9	Cylinder Pivot Pin	1	44	Washer 22	2
10	Right-Angle Fitting 2	1	45	Bearing	4
11	Beam Weldment	1	46	Wheel	2
12	Bolt M10x35	3	47	Anti-Dust Washer	2
13	Valve Mounting Plate	1	48	Tank Weldment	1
14	Washer 10	17	49	Screw Plug	1
15	Spring Washer 10	17	50	Washer 20	1
16	Bolt M10x30	4	51	Log Cradle	1
17	Two-Way Valve	1	52	Bolt M12x35	5
18	Washer Group	4	53	Spring Washer 12	5
19	Oil Inlet Pipe L470	1	54	Washer 12 Gb/T97.1	18
20	Straight Connector 1	4	55	Washer 12 Gb/T5287	1
21	Log Lift Table Cylinder Oil Discharge Pipe	1	56	Bolt M16x90	3
22	Log Lift Table Cylinder Oil Inlet Pipe	1	57	Washer 16	8
23	Wedge Cylinder Oil Discharge Pipe	1	58	Nut M16	4
24	Wedge Cylinder Oil Inlet Pipe	1	59	Bolt M8x20	6
25	Transition Adapter	1	60	Washer 8	12
26	Tee Connector	1	61	Manual Tube	1
27	Main Oil Return Pipe L530	1	62	Nut M10	1
28	Washer 22	4	63	Washer 10	8
29	Gear Pump Oil Discharge Pipe L310	1	64	Safety Chain	2
30	Cylinder Fitting	2	65	Safety Clasp	2
31	Bolt M6x16	6	66	Tow Bar	1
32	Spring Washer 6	8	67	Nut M12	2
33	Washer 6	8	68	2" Ball Coupler Hitch	1
34	Oil Suction Hose	0.35m	69	Bolt M12x80	2
35	Clamp 25-38	2	70	Bolt M10x85	1

No.	Description	Qty
71	Support Leg	1
72	Big Ring A63	1
73	Log Tray Left	1
74	Log Tray Right	1
75	Bolt M10x60	3
76	Log Lift Table- Side Table	1
77	D Type Pin	2
78	Log Lift Table-Main Table	1
79	Pivot Pin	2
80	Bearing Rcb-10	2
81	Log Lift Table Cylinder	1
82	Bolt M10x75	1
83	Log Tray Bracket	1
84	Pin Shaft 12x75	1
85	Spring Plunger	3
86	Washer 20	4
87	Cotter Pin 4x35	6
88	Washer 1/4	2
89	Straight Connector 2	2
90	Wedge Lift Cylinder	1
91	Pivot Pin 16x45	1
92	Bolt M16x110	1
93	Panel Welding	1
94	Panel Welding 2	1
95	Wedge Shaft	1
96	Bush	2
97	Pivot Pin	2
98	Nut M10	10
99	Engine	1
100	Bolt M10x45	4
101	Washer 1/4x50	1
102	Cover Of Pump Bracket	1
103	Bolt M5x10	4
104	Spring Washer 5	4
105	Pump Bracket	1

No.	Description	Qty
106	Washer 5	4
107	Spring Washer 8	8
108	Bolt M8x25	4
109	Screw M8x10	2
110	Gear Pump Connector Right	1
111	Elastic Spider Block	1
112	Screw M6x8	2
113	Gear Pump Connector Left	1
114	Outlet Connector Of Pump	1
115	Gear Pump	1
116	Key 3x25	1
117	6-Way Wedge	1
118	4-Way Wedge	1
119	Nut M12	10
120	Push Plate	1
121	Friction Plate Up	1
122	Central Partition	2
123	Friction Plate	2
124	Retainer Slide	2
125	Bolt M12x65	10
126	Oil Filter Thread	1
129	Hex Socket Head Cap Screw M6x20	2
130	Pivot 16x85	1
131	Safety pin 12x85	1
132	Tow bar connector	1
133	Bolt M14x90	1
134	Washer 14	2
135	Nut M14	1
136	Right-Angle Fitting 3	2





*GO FULL BOAR*