

Model #: 85-2261-4 / G501-0057-03



**CONVERTIBLE
VALVE SYSTEM™
MC**

NATURAL GAS CONVERSION KIT



**ONLY Compatible with
Barbecues that bear this SYMBOL:**



**CONVERTIBLE
VALVE SYSTEM™
MC**

10-23-2018

FOR YOUR SAFETY

▲ CAUTION: Read and follow all safety statements, assembly instructions, and use and care directions before attempting to assemble and cook.

▲ WARNING: The information in these instructions must be followed to minimize the risk of fire or explosion or to prevent property damage, personal injury or death.

INSTALLER/ASSEMBLER: Leave this manual with consumer.

INSTALLATION SAFETY PRECAUTIONS

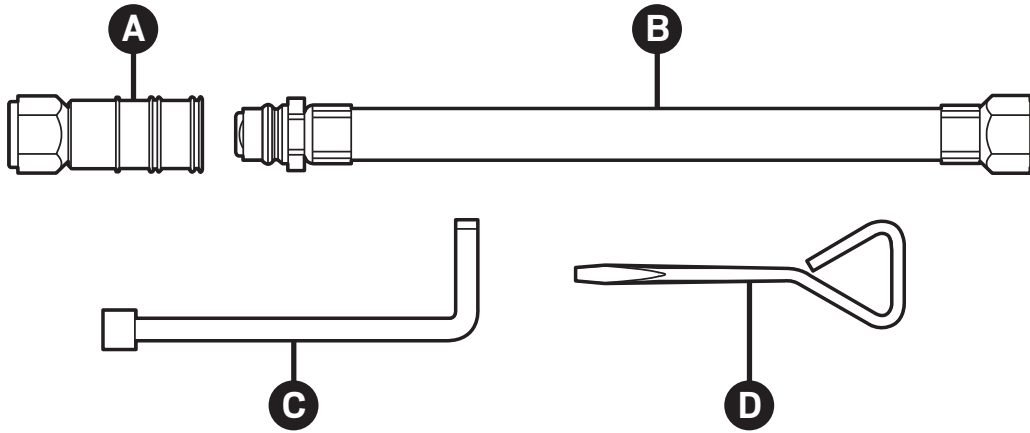
- Not for use with LP gas.
- This kit converts your grill for natural gas use at 7 inch water column supply pressure. Verify supply pressure with your local gas company. If supply pressure is different than 7 inch, contact a certified plumber for assistance.
- Grill installation must conform with local codes, or in their absence with National Fuel Gas Code, NFPA 54 / ANSI Z223.1. National Electrical Code, ANSI / NFPA 70.
- Grill is not for use in or on recreational vehicles and/or boats.
- Keep any electrical cords and/or fuel supply hoses away from any hot surfaces.

TABLE OF CONTENTS

For Your Safety	2
Installation Safety Precautions	2
Parts List.....	4
Before You Begin	5
Assembly Instructions.....	6 - 26

If you have questions or need assistance during conversion,
visit us online at www.CVSBBQ.com

PARTS LIST



ITEM #	QUANTITY	DESCRIPTION	PART NO.
A	1	5/8" quick connect socket	G501-0099-9000
B	1	10 ft. natural gas hose	G501-0099-9000
C	1	Orifice removal tool	G453-000T-9000
D	1	Valve screwdriver	G453-000U-9000

ADDITIONAL TOOLS REQUIRED (NOT INCLUDED IN KIT):

- Adjustable wrench or #17 wrench and #19 wrench

BEFORE YOU BEGIN

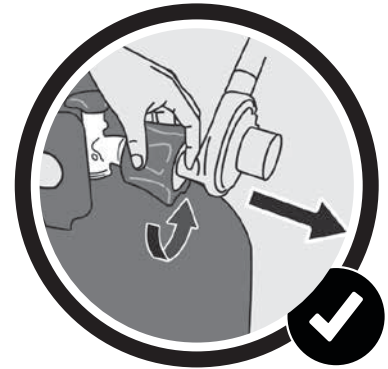
1. All control knobs must be in the OFF position.



2. Ensure that the propane tank is closed.



3. Disconnect the BBQ regulator from the propane tank.

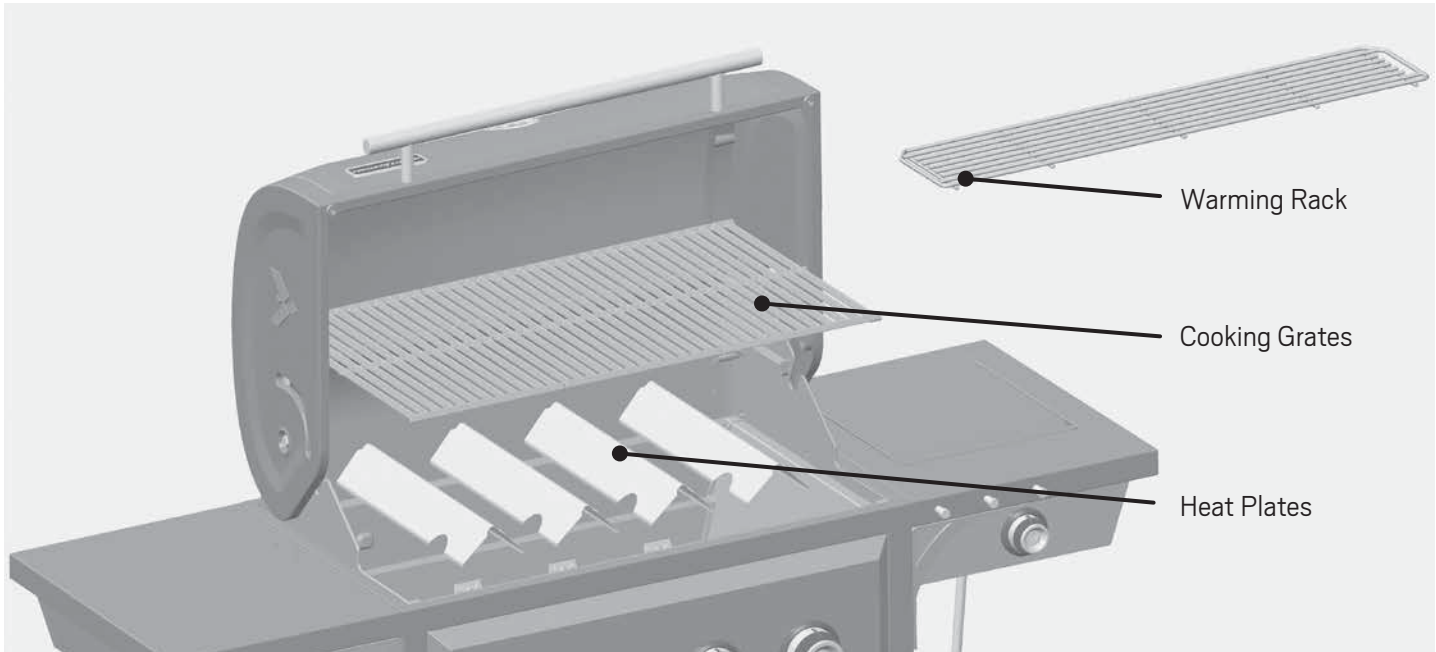


Estimated time to convert to Natural Gas:
20—30 minutes

1

MAIN BURNER CONVERSION

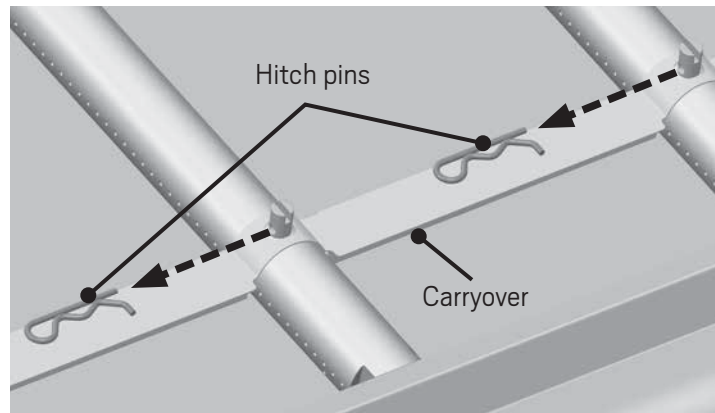
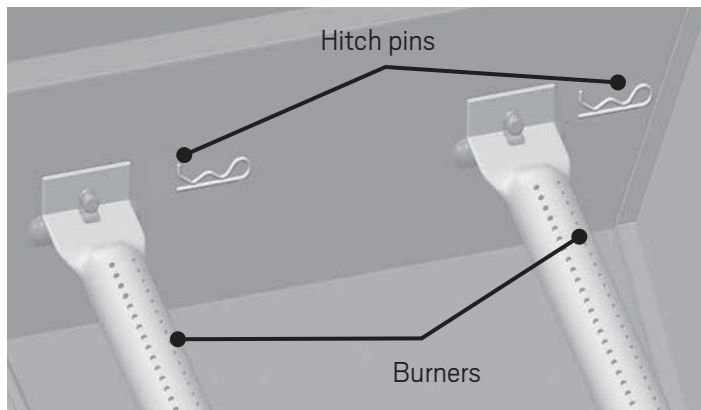
Open lid, remove and set aside the warming rack, all cooking grates, and all heat plates.



2A

Remove the hitch pins from the burners and carryover tubes.

NOTE: Depending on your barbecues configuration your burners and carryovers may be slightly different.

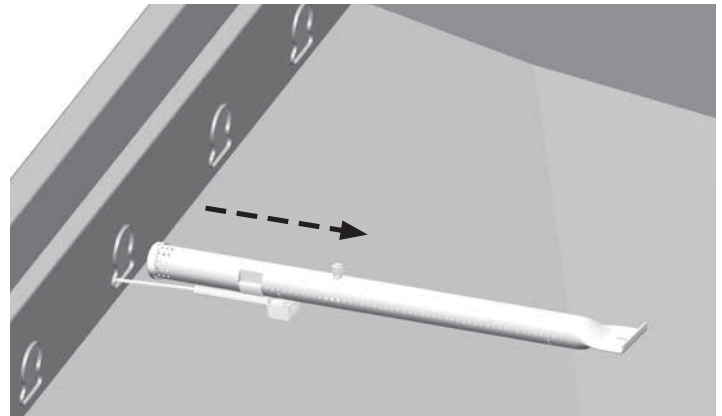
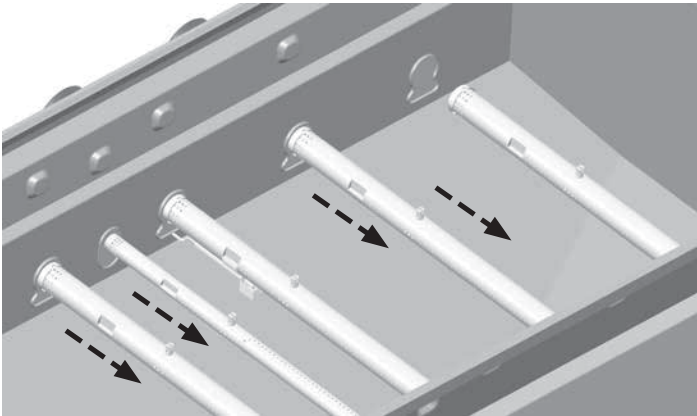


2B

NOTE: Depending on your barbecues configuration your burners and carryovers may be slightly different.

Remove burners and carryovers.

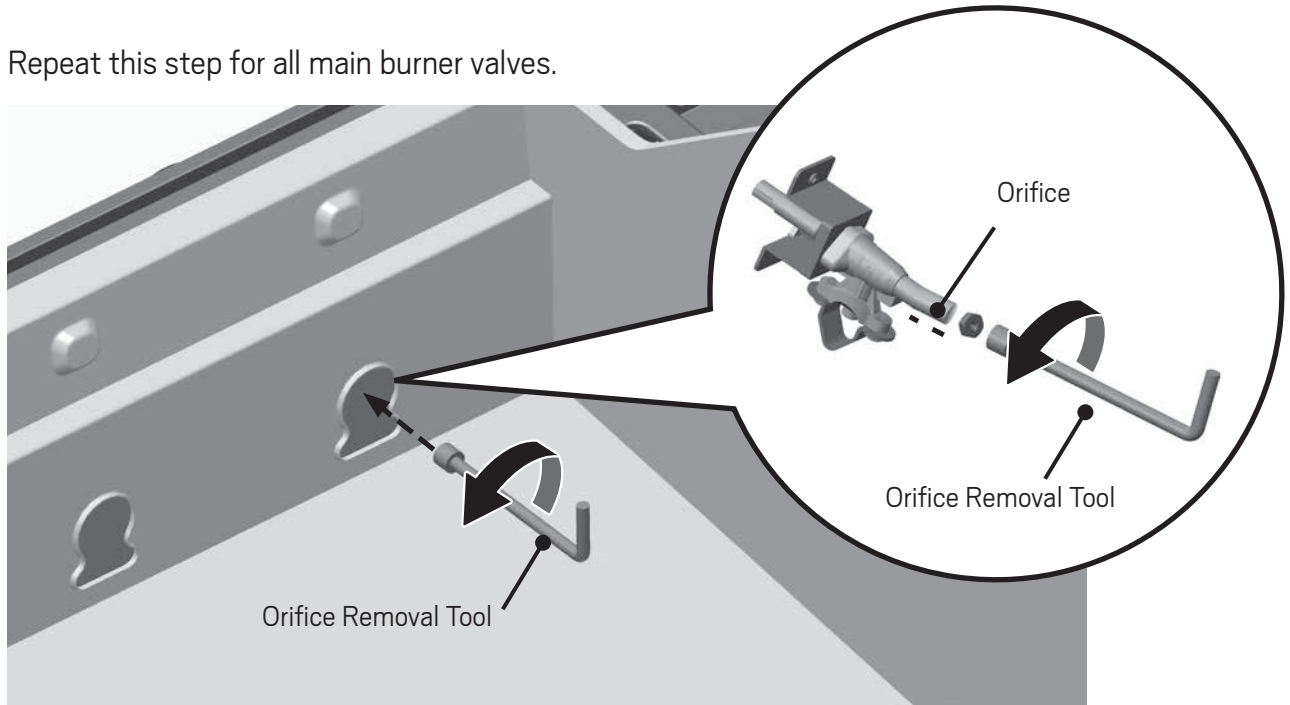
If one or more burners has an electrode attached, remove the burner from valve and lay inside the burner box.



3

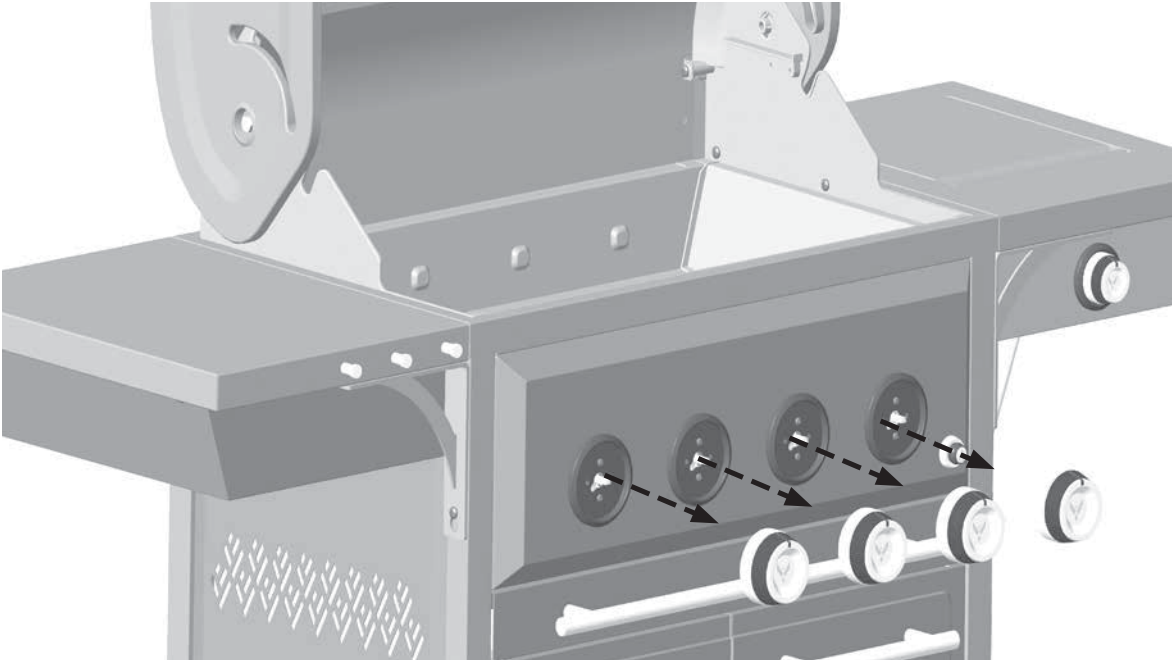
Insert the orifice removal tool into the burner box openings to locate the valve orifice. Once the tool is positioned correctly on the orifice, turn the orifice removal tool counter clockwise to remove the LP orifice.

Repeat this step for all main burner valves.



4A

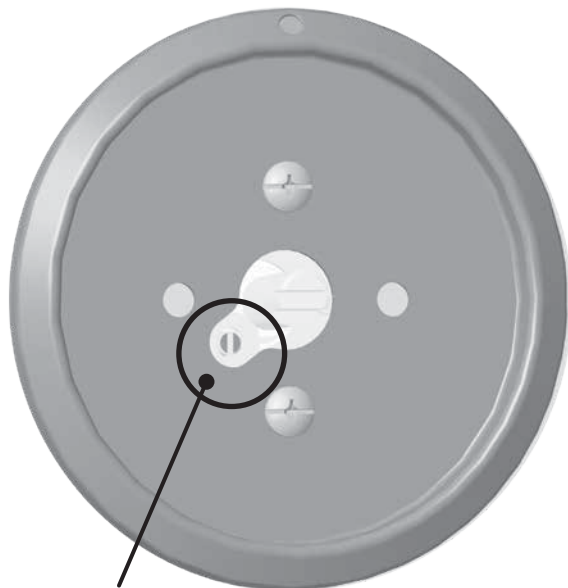
Remove all control knobs to access the valve switch plate.



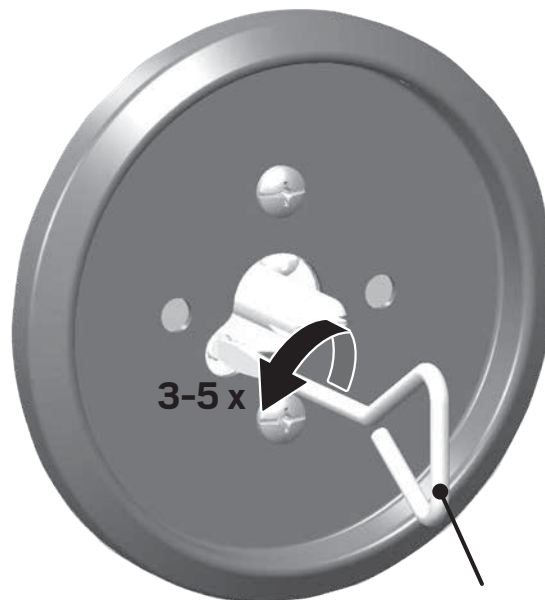
4B

Locate the switch screw circled in the diagram. Using the screwdriver supplied with this kit, turn the screw counter clockwise 3-5 turns until it stops, to complete the valve conversion.

⚠ DO NOT USE FORCE.



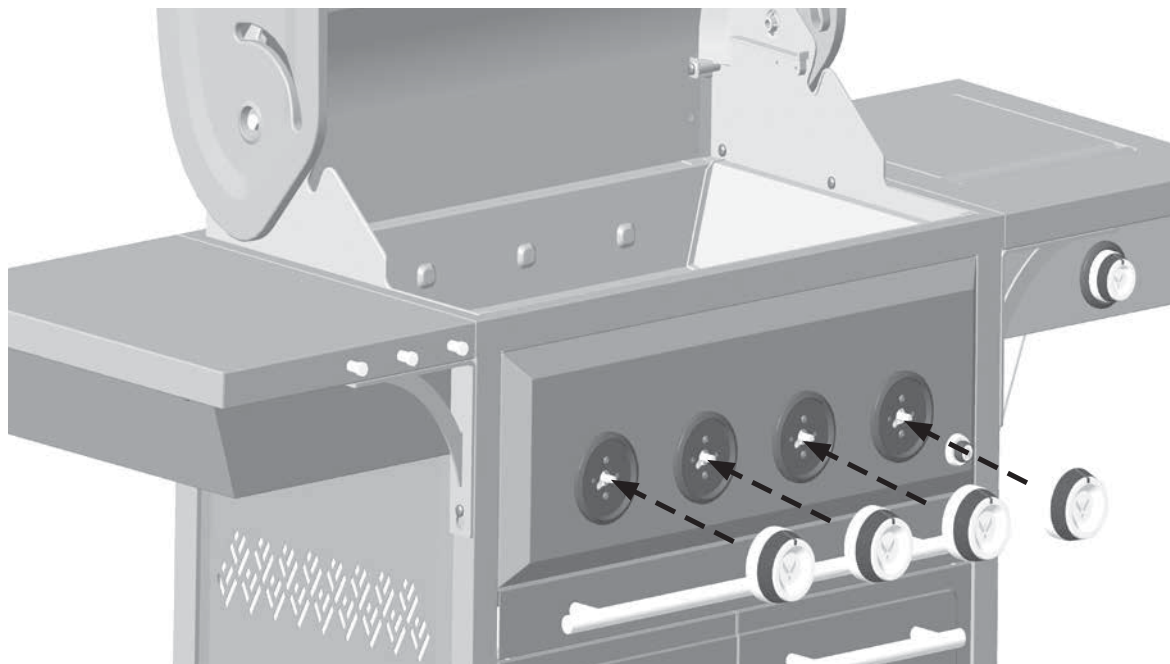
Switch screw



Valve screwdriver

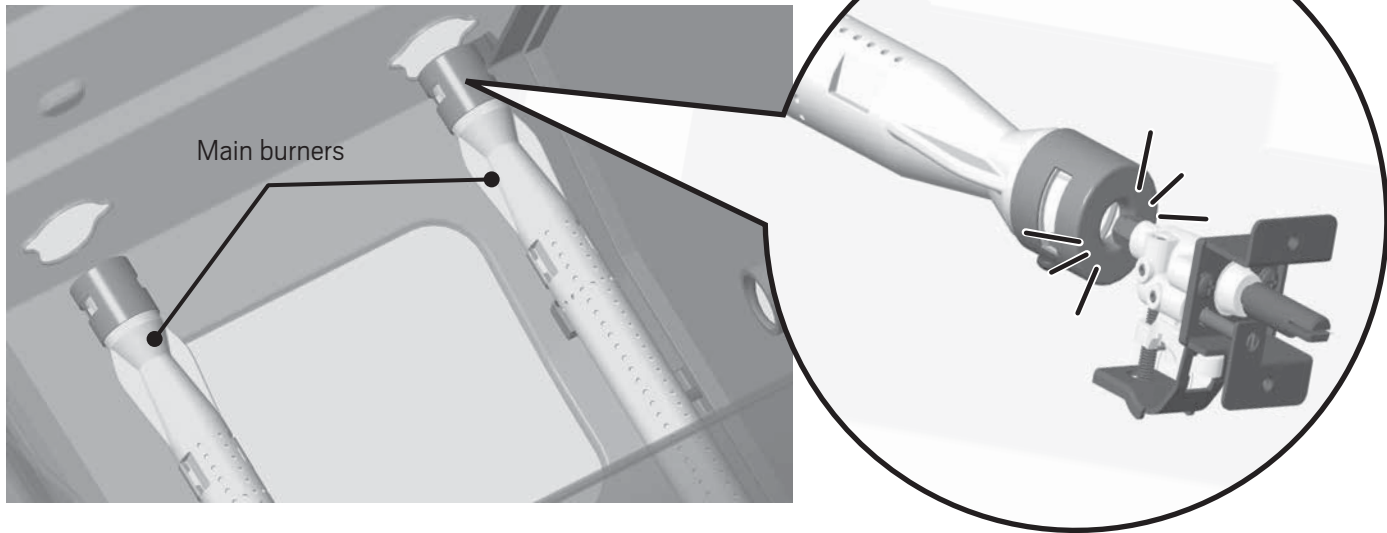
4C

Re-assemble the control knobs.



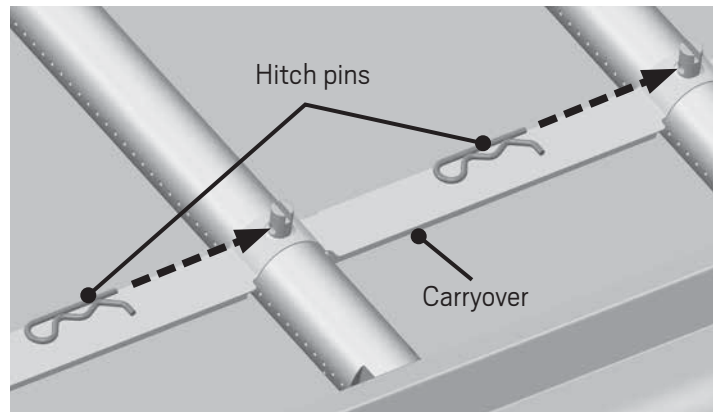
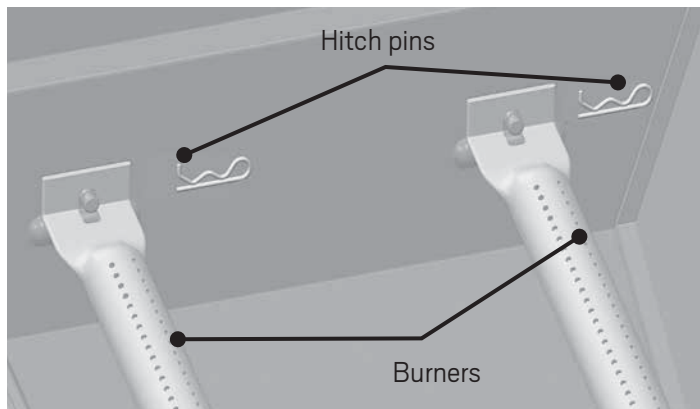
5A

Assemble main burners, one at a time, making sure that the burner engages the valve, before re-assembling the hitch pin.



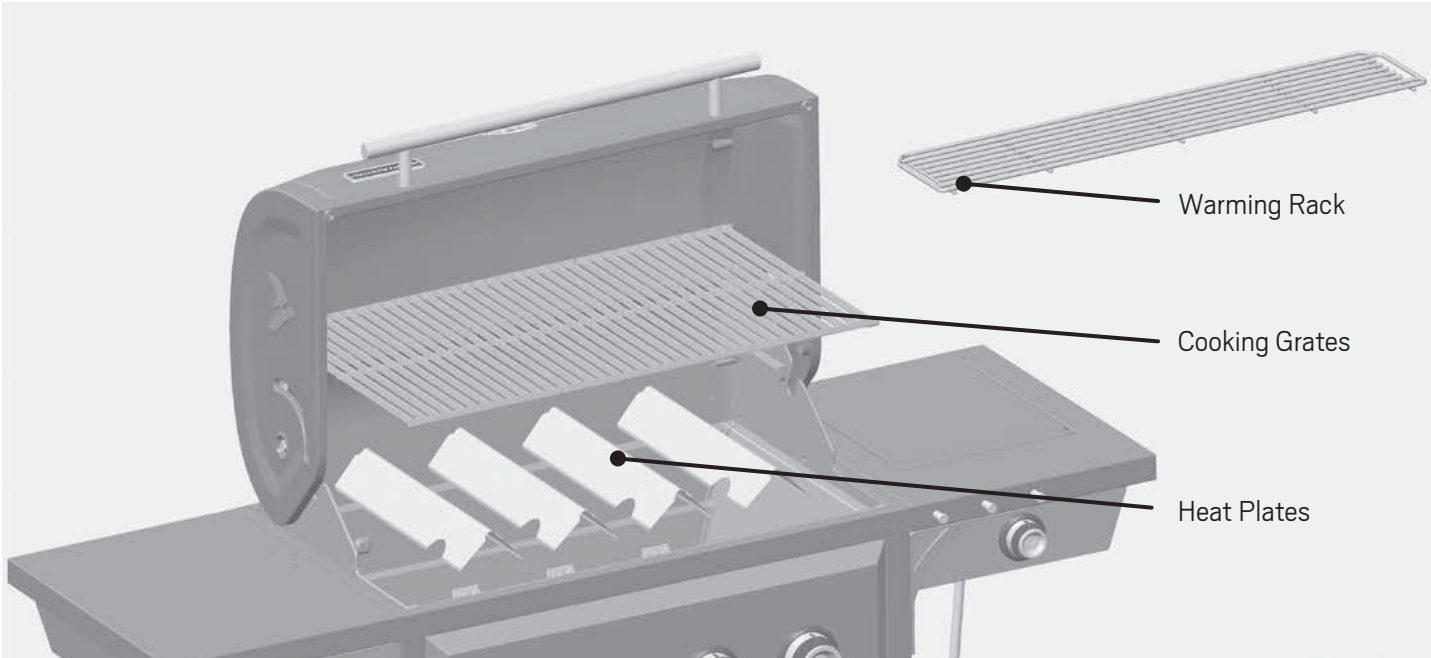
5B

Re-attach burners and carryovers using the hitch pins.



6

Re-position heat plates, cooking grates and warming rack.

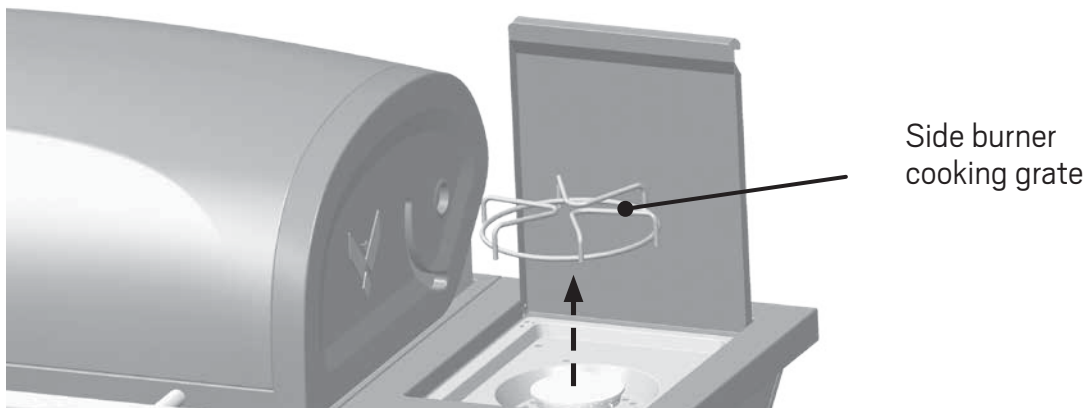


7A

SIDE BURNER CONVERSION

▲ ATTENTION:

- If your barbecue does not have a side burner proceed to **STEP 9A**.
- Lift the side burner lid. Remove the side burner cooking grate.

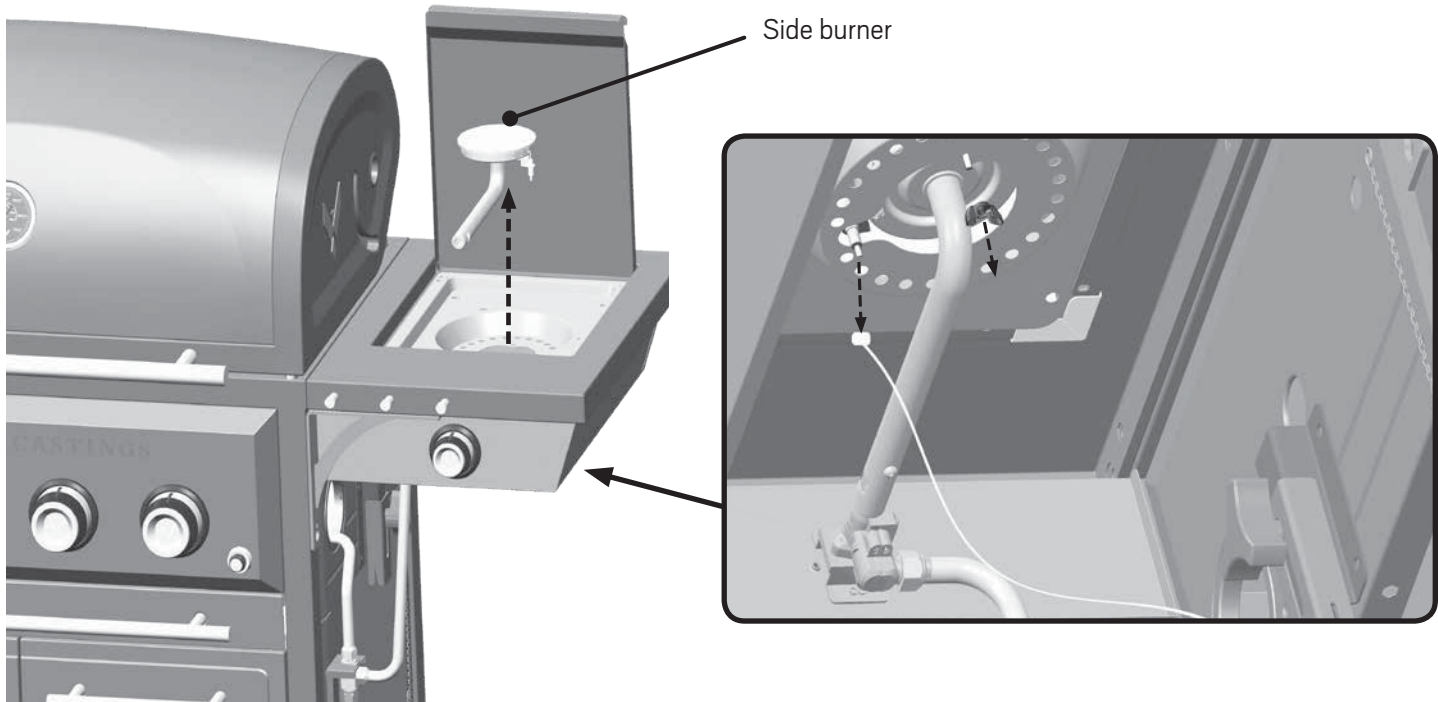


▲ ATTENTION: FOR COLEMAN® REVOLUTION™ Dual Fuel (G53701 / 85-3140) Models

The charcoal ignition burner and valve works with both LP and NG gas. Conversion is not required for this feature to convert GAS SIDE of the barbecue.

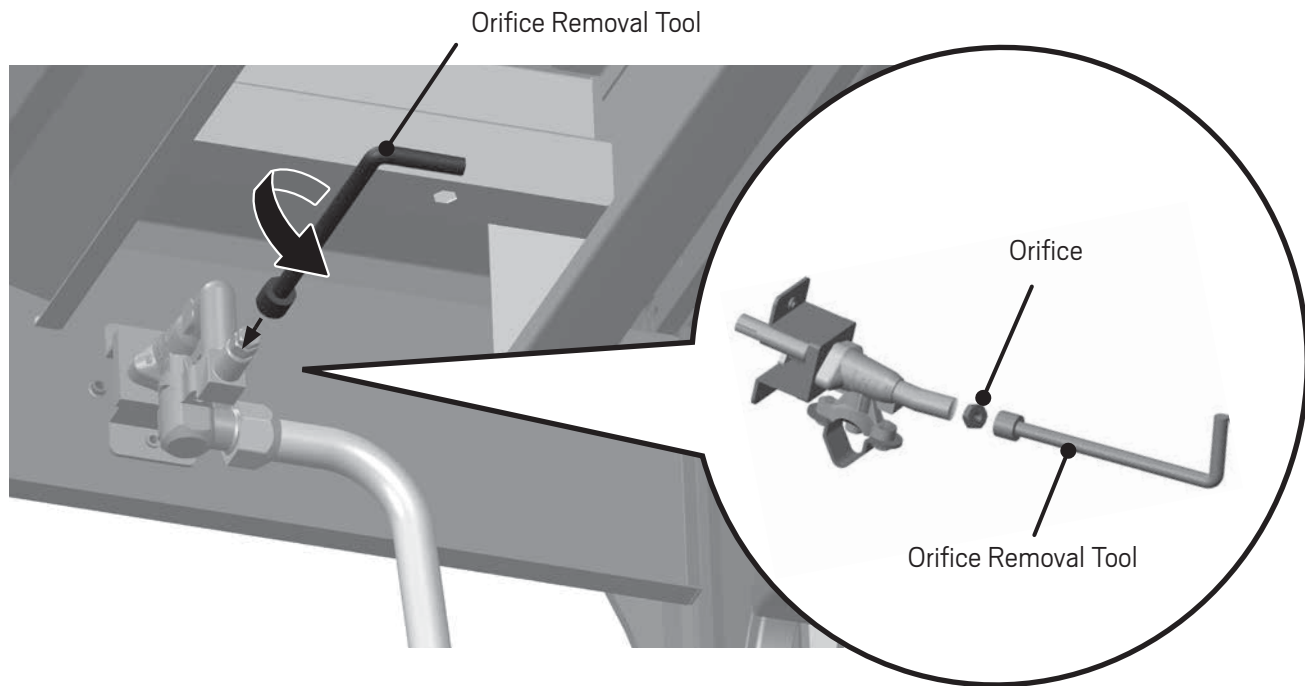
7B

Remove the side burner, disconnect the side burner electrode and remove the side burner support clip (If applicable).



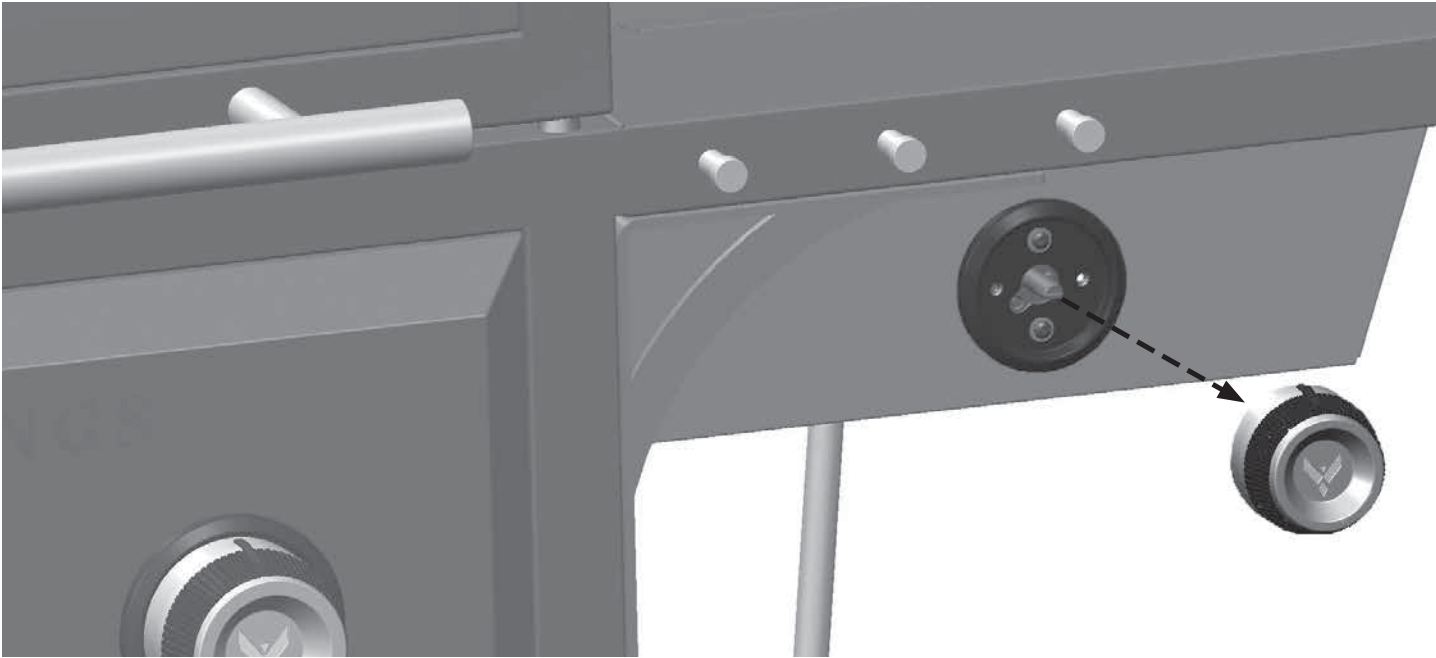
7C

Using the orifice removal tool, remove the side burner valve orifice, as shown.



8A

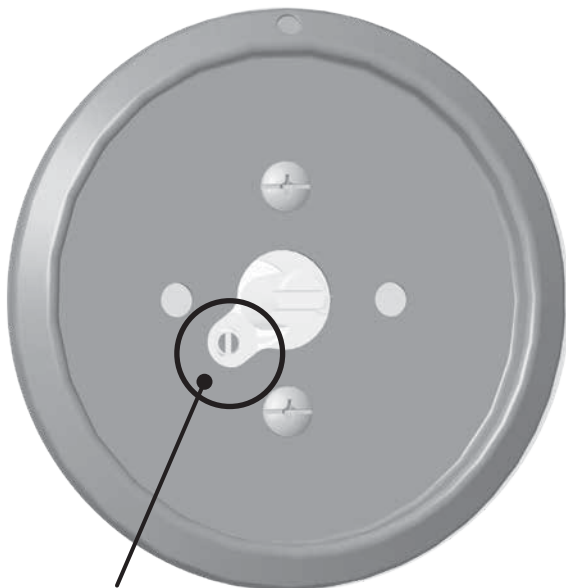
Remove the side burner knob to access the valve switch plate.



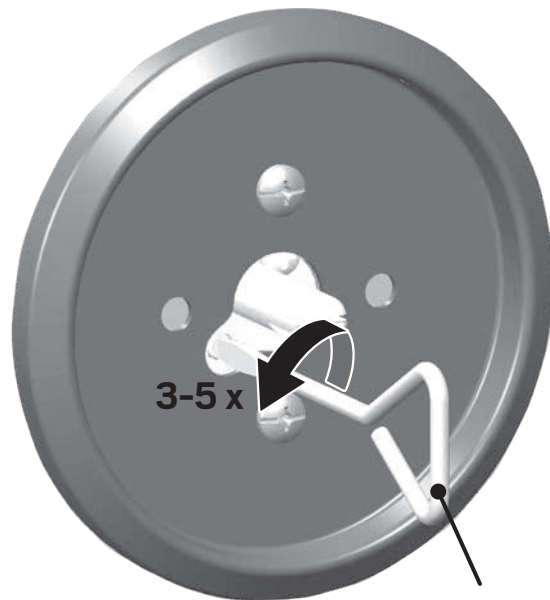
8B

Locate the switch screw circled in the diagram. Using the screw driver supplied with this kit, turn the screw counter-clockwise 3 -5 turns, until it stops, to complete the valve conversion.

▲ DO NOT USE FORCE.



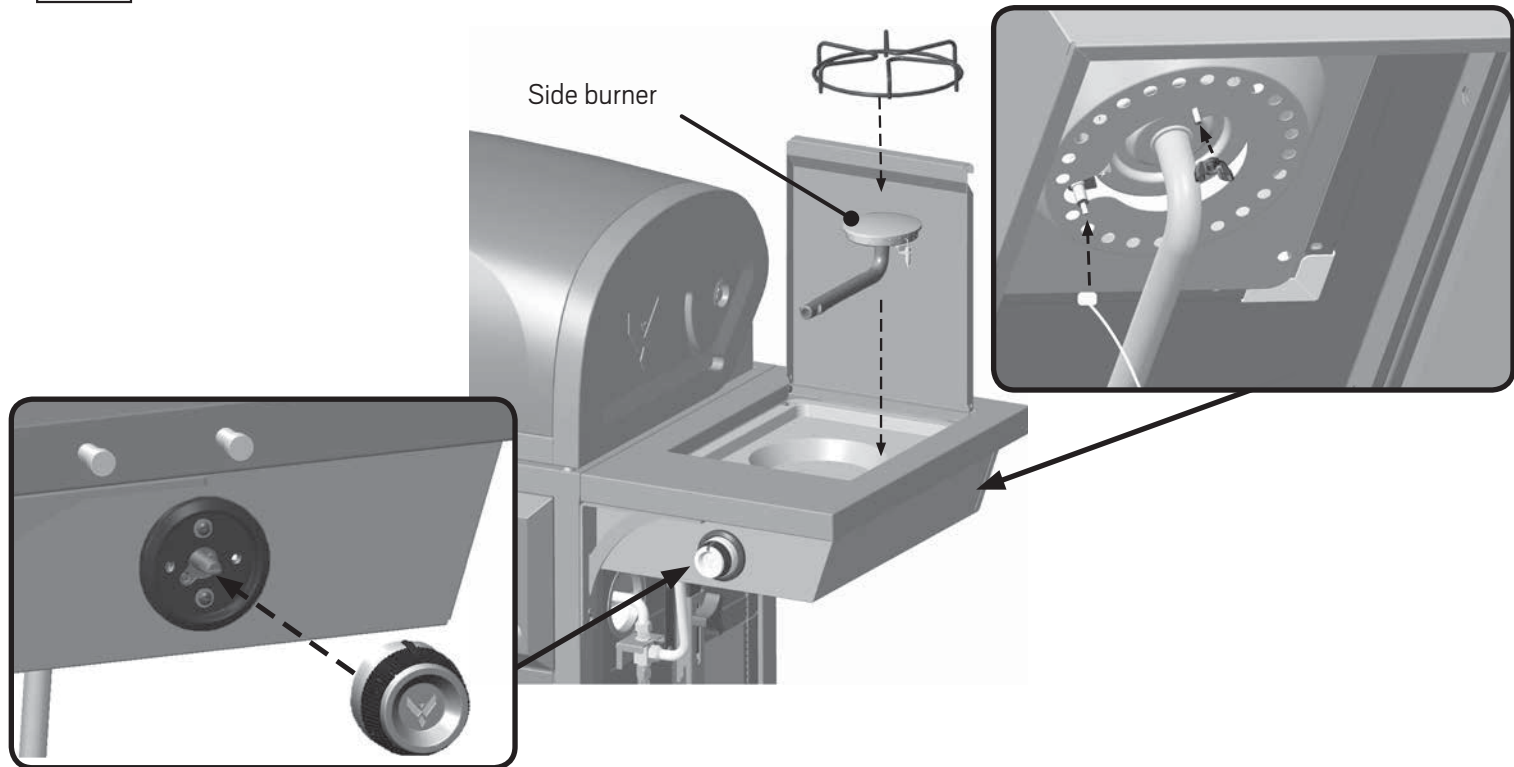
Switch screw



Valve screwdriver

8C

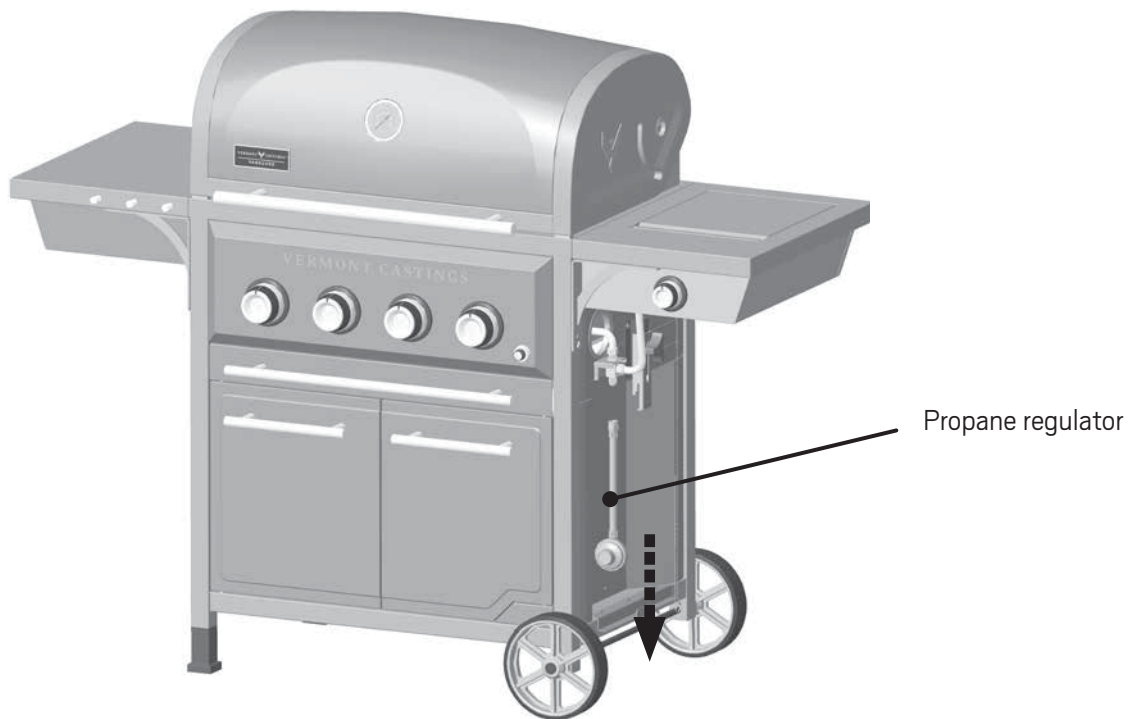
Re-assemble the side burner, side burner electrode, side burner support clip (if applicable), side burner grate, and the side burner knob.



9A

CONNECTING THE NATURAL GAS HOSE

Use a **#17** and **#19** wrench to remove the regulator, or use an adjustable wrench.



9B

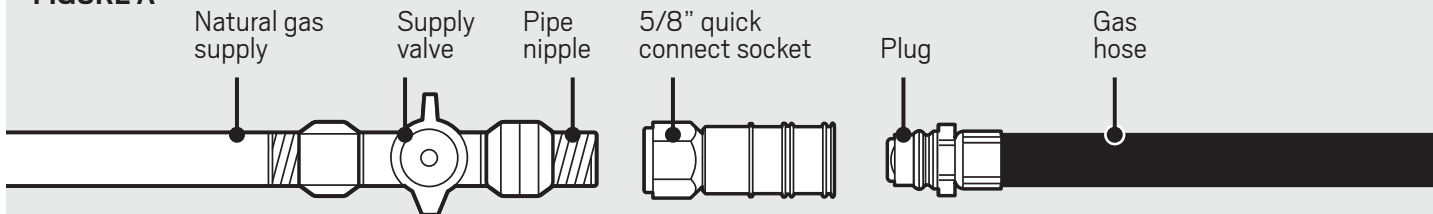
Attach the natural gas hose.



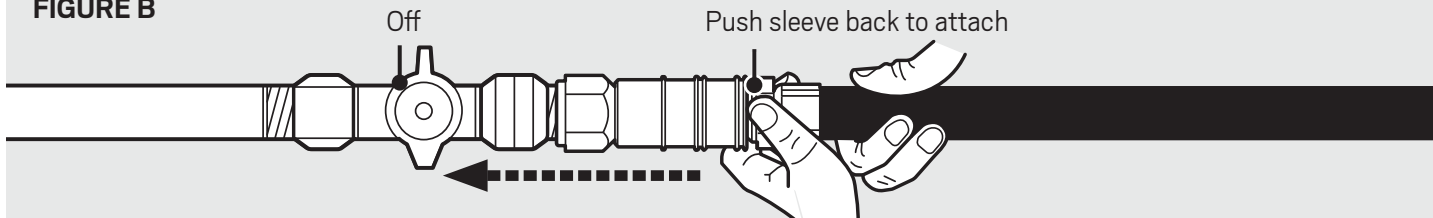
10A

CONNECTING YOUR GRILL TO THE NATURAL GAS SOURCE

Coat pipe nipple with gas resistant teflon tape or pipe dope. Tighten quick-disconnect coupling onto pipe nipple that leads to natural gas supply (**FIGURE A**).

FIGURE A

With the natural gas supply valve “OFF”, connect the natural gas hose to the quick connect socket. Push the sleeve back on the quick connect socket (**FIGURE B**) and insert the plug until the sleeve snaps forward, locking the plug into the quick connect socket. Be sure to leak test these connections prior to use.

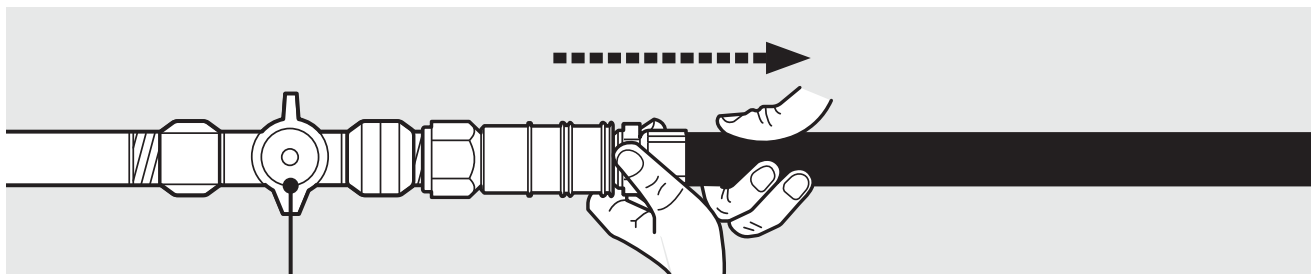
FIGURE B

10B

DISCONNECTING YOUR GRILL FROM THE NATURAL GAS SOURCE

1. Turn natural gas supply valve “OFF”.
2. To disconnect, push sleeve back and pull plug out of sleeve.

⚠ CAUTION: The natural gas source should always be in the “OFF” or in closed position when the grill is not in use.



Shut supply off



LEAK TEST AND SAFETY CHECK

▲ IMPORTANT!

BEFORE USING YOUR BARBECUE, REVIEW THE SAFE USE & CARE MANUAL that came with your barbecue for important safety instructions, including; performing a Leak Test and the Burner Flame Check.

▲ ATTENTION!

PERFORM A LEAK TEST on all connections as outlined in your barbecue's Safe Use and Care Manual. Leak checks should be performed on all new barbecues even if assembled by an assembler or gas technician. Leak checks should be performed frequently thereafter.



CONVERTIBLE
VALVE SYSTEMTM_{MC}

NATURAL GAS CONVERSION KIT

Visit us online at www.cvsbbq.com to view our conversion video and access to other information.

© 2019 Winners Products Engineering