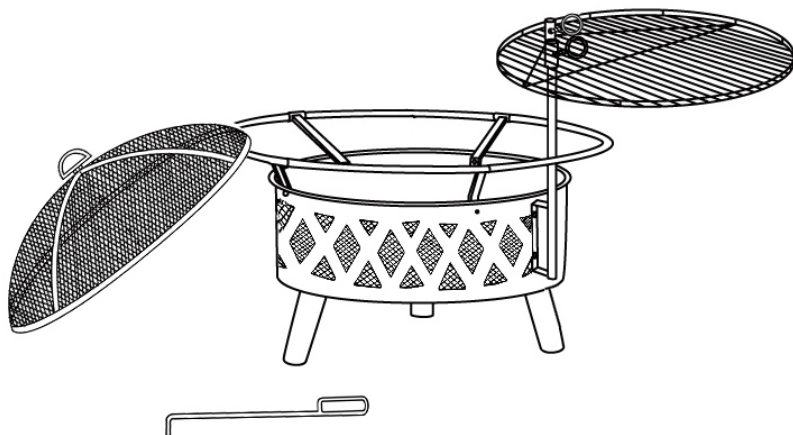


BLUEGRASS *Living*



MODEL: BFPW30RH
SKU: 170491

OUTDOOR FIRE PIT

USER GUIDE AND ASSEMBLY INSTRUCTIONS

Please read these instructions carefully before starting assembly. To avoid scratching the paint, we suggest you carry out the assembly process on a soft surface like a carpet.

Please note because of the nature of cast metal, you may find roughness on the surface which enhances the beauty of the product and is not a defect. *

Do not discard any of packaging until you have verified that you have all parts and pack of fittings.

*** Keep children away during assembly and operation. This item contains small parts which can be swallowed by children.**



Questions, problems, missing parts? Before returning to your retailer, call our customer service department at 1-866-762-4050, 8:00 am - 4:30 pm CST, Monday through Friday or email contact@bluegrassliving.com

TABLE OF CONTENTS

GENERAL ASSEMBLY	3
PARTS.....	3
ASSEMBLY STEPS.....	5
SAFETY	8
REPLACEMENT PARTS.....	11
WARRANTY	12

SAVE THIS BOOK

INSTALLER: Leave this manual with the appliance
CONSUMER: Retain this manual for future reference.

Using Fire Pits

The product is for outdoor use only, and will become very hot during use.

Using the wrong materials inside a fire pit can be dangerous. Make sure to use only wood, charcoal or fire logs.

Do not use highly flammable items such as clothing, rags, paper towels, tissues or other items that could burn uncontrollably.

Do not use gasoline, mineral spirits, lighter fluid, alcohol or similar substances to light a fire.

Never leave the product unattended.

 WARNING: FIRE, EXPLOSION AND ASPHYXIATION HAZARD

Improper location, service, maintenance, alteration or installation of this product can cause death or serious injury.

Read and follow instructions and precautions in this Information Manual.

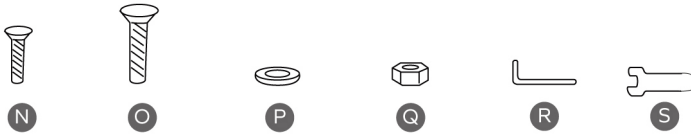
ASSEMBLY

IMPORTANT: Read this owner's manual carefully and completely before trying to assemble, operate, or service this product. Improper use of this product can cause serious injury or death from burns, fire, explosion, and carbon monoxide poisoning. Failure to follow these instructions will void the warranty.

Please read and understand this entire manual before attempting to assemble, operate or install the product. If you have any questions regarding the product, please call customer service at 1-866-762-4050

The following tools will be used to assemble the product:

Phillips Screwdriver and the provided 6mm Wrench

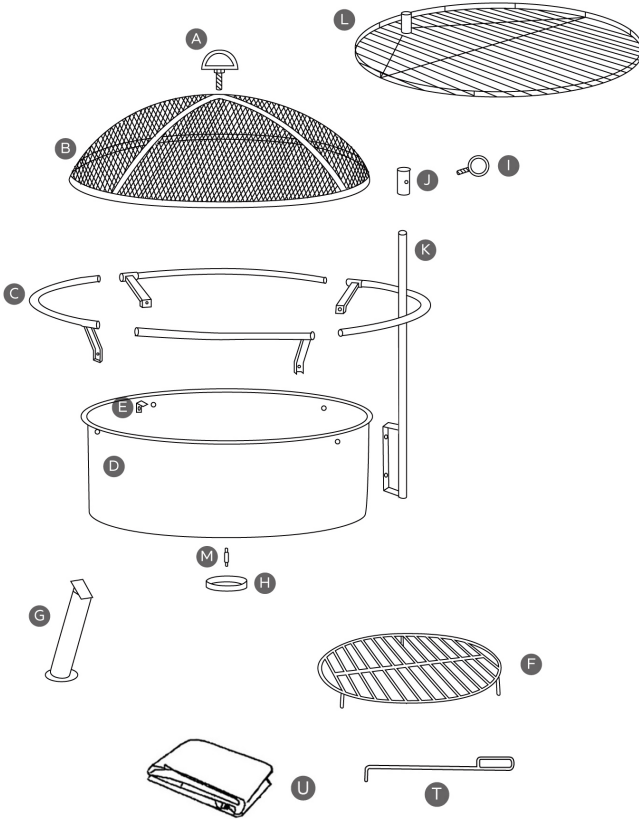


Hardware Item list:

Part	Name	Qty.
N	Bolt (M6x10mm)	6
O	Bolt (M6x15mm)	6
P	Washer	7
Q	Nut	9
R	Allen Wrench	1
S	Spanner	1

(Hardware parts M,N,O,P,Q,R, and S not available as replacement parts)

ASSEMBLY



Main Body Part List:

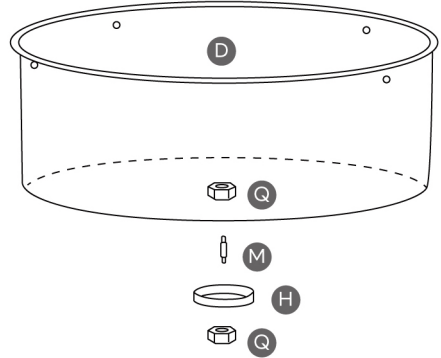
Part	Name	Qty.
A	Handle (Mesh Cover)	1
B	Mesh Cover	1
C	Outer Ring Section	4
D	Fire Bowl	1
E	Bracket	4
F	Log Grate	1
G	Legs	3

Part	Name	Qty.
H	Ash Catch Pan	1
I	Lock Ring	2
J	Adjustable Tube	1
K	BBQ Stand Tube	1
L	BBQ Grate	1
M	Ash Connector	1
T	Poker	1
U	Rain Cover	1

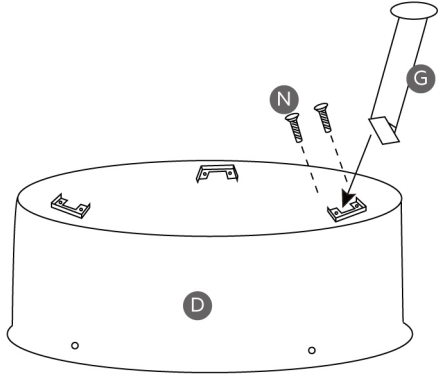
ASSEMBLY

CAUTION: DO NOT FULLY TIGHTEN THE BOLTS BEFORE ASSEMBLING ALL THE PARTS

1. Insert the ash catch connector [M] through the ash catch [H] and into the bottom of the fire bowl [D]. Secure the ash catch connector with two nuts [Q], one on either end of the connector.



2. Turn the fire bowl upside down and place on soft surface to protect the finish. Slip one leg [G] into a bracket on the bottom of the fire bowl [D] and secure with two M6 x 10 mm bolts [N].



Repeat to attach the other two legs. Securely tighten all bolts, then turn the fire bowl upright.

ASSEMBLY

3. Start building the top ring on the opposite side of the fire bowl from where the swing grill will be mounted.

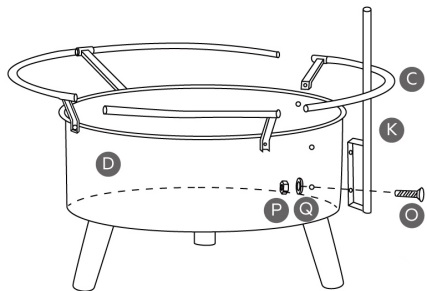
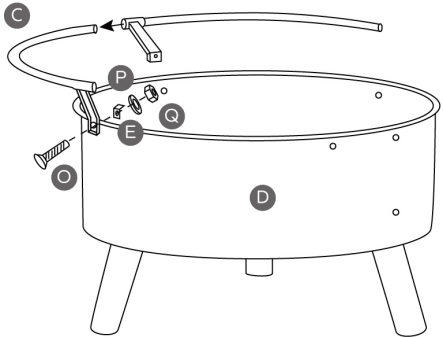
Look for the holes closer to the middle of the fire bowl – this is where the swing grill will be secured. Make sure not to fully tighten bolts until all four sections of the top ring are assembled.

Attach one top ring section [C] to the fire bowl [D] by inserting one M6 x 15 mm bolt [O] into the top ring's support arm from the outside, then through one of the holes in the top edge of the fire bowl. On the inside of the fire bowl, insert one bracket [E] and secure in place with one washer [P] and nut [Q].

Insert a second top ring section into the end of the first top ring section and attach to the fire bowl as described above.

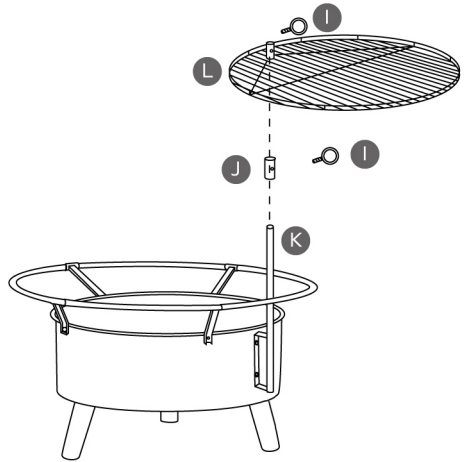
4. Before connecting the last two top ring sections, attach the swing grill stand [K] to the fire bowl [D]. Insert two M6 x 15 mm bolts [O] into the stand from the outside and through the two holes located vertically on the fire bowl. Secure each bolt on the inside of the fire bowl with one washer [P] and nut [Q]. Attach the remaining two top ring sections [C] as described in step 3.

Make sure all of the top ring sections are joined together and that all the brackets [E] are at a right angle with the tab positioned close to the top edge of the fire bowl and facing towards the center of the fire bowl. Securely tighten all bolts.

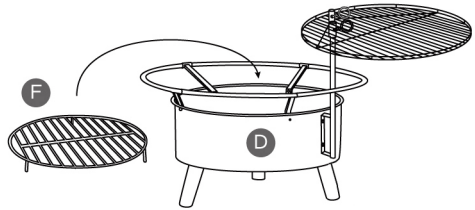


ASSEMBLY

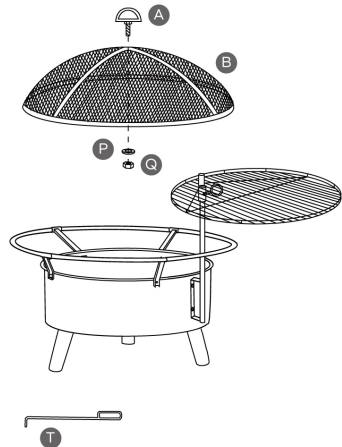
5. Place the adjustable tube [J] over the top of the swing grill stand [K], then insert the swing grill [L] into the swing grill stand. Use the lock ring [I] to adjust the height of the swing grill.



6. Place the log grate [F] in the bottom of the fire bowl [D].



7. Insert the threaded end of the spark screen loop [A] through the center of the spark screen [B] and secure it on the other side with one washer [P] and nut [Q]. Once the fire is lit, place the assembled spark screen on top of the fire pit using the Poker [T]. Make sure the spark screen is set on the four brackets [E].



SAFETY

⚠ WARNING: Keep the appliance area clear and free from combustible materials, such as gasoline and other flammable vapors and liquids.

⚠ DANGER: Carbon monoxide poisoning may lead to death!

CARBON MONOXIDE POISONING:

Early signs of carbon monoxide poisoning resemble the flu, with headaches, dizziness or nausea. If you have these signs, the heater may not be working properly.

Get fresh air at once! Have heater serviced. Some people are more affected by carbon monoxide than others. These include pregnant women, people with heart or lung disease or anemia, those under the influence of alcohol and those at high altitudes.

⚠ WARNING: Due to high temperatures, the appliance should be located out of traffic and away from outdoor furniture and buildings.

⚠ WARNING: Do not place clothing or other flammable material on or near the fire pit.

⚠ WARNING: Fire pit becomes very hot when running. Keep children and adults away from hot surfaces to avoid burns or clothing ignition. Fire pit will remain hot for a time after shutdown. Allow surfaces to cool before touching.

⚠ WARNING: Carefully supervise young children when they are in the area of the fire pit.

Toddlers, young children and others may be susceptible to accidental contact burns. A physical barrier is recommended if there are at risk individuals in the house. To restrict access to a fireplace or stove, install an adjustable safety gate to keep toddlers, young children and other at risk individuals out of the room and away from hot surfaces.

⚠ WARNING: NEVER burn in vehicles, tents or indoors. CARBON MONOXIDE HAZARD!

Check with your fire department for information on burning bans and chimenea & fire pit regulations in your area.

Fire pits can continue to remain hot and smoulder for a full 24 hours after the visible fire has been extinguished.

Smouldering fire pits are a common cause of injuries and burns, especially for children.

The surface of this product will discolor when placed outdoors and from first use, due to the nature of the product and the heat and open flames.

CONSIDERATIONS BEFORE USE

Choosing a Location For Setup:

Chimeneas or Fire pits need to be placed in a safe location. Do not place them near buildings, walls, outdoor furniture, inflatable pools or other flammable items.

Nearby items could catch fire from heat or flames. Position on a non flammable surface, clear of overhanging objects.

Wind:

Chimeneas or Fire pits should be protected from wind and not used when winds are high or gusty. Wind causes the smoke and fire to blow around, which could spread burning embers. When using Chimeneas or Fire pits during light breezes, keep an eye on it to ensure no small embers escape.

Do not place Chimeneas or Fire pits near anything that could catch fire.

People & Pets:

Carefully supervise children and pets when the fire pit is in use.

Ensure that everyone near the Chimeneas or Fire pits understands it is an active fire and can produce smoke and embers.

Do not allow children or animals to get close to Chimeneas or Fire pits to avoid smoke inhalation and burns.

The Chimeneas or Fire pits will get very hot and could burn someone if they get too close.

Using The Fire Pit:

This product should only be used outdoors. If setting up on a patio, the area should be cleared, and the roof should be open so any smoke emissions can escape easily.

Set up on a flat surface, away from anything that could pose a fire threat. As this item is low to the ground, always keep an eye on the fire. The product is for outdoor use only, and will become very hot during use.

Using the wrong materials inside a fire pit can be dangerous. Make sure to use only wood, charcoal or fire logs.

Do not use highly flammable items such as clothing, rags, paper towels, tissues or other items that could burn uncontrollably.

Do not use gasoline, mineral spirits, lighter fluid, alcohol or similar substances to light a fire. Never leave the product unattended.

WARNING:

- 1. DO NOT use if you suffer from heart and lung conditions because smoke inhalation may exacerbate existing conditions.**
- 2. DO NOT move the product after it is alight.**
- 3. DO NOT sit too close to the product.**
- 4. DO NOT overfill the fire pit during use.**
- 5. DO NOT use accelerants to light the fire.**

CONSIDERATIONS BEFORE USE

6. DO NOT use in inclement weather.

7. Keep flammable liquids well away from the product as some flammable liquids can catch fire from the emitting heat.

8. Only handle the product with the poker. Once lit, do not touch the lid with bare hands or oven mitts.

Only use the poker to lift the lid if you have to.

9. Keep a considerable distance away from the product. Keep kids and pets away from the product.

10. Adults should set up and maintain product.

11. Keep the set up area clear from any combustible materials. Dry leaves, paper, dry grass or pine needles can catch fire easily from the embers that come out of the product.

12. Once lit, approach the product with caution to avoid slipping and falling into it.

Extinguishing The Fire Properly

Chimeneas or Fire pits are dangerous if the fire is not extinguished properly. Do not extinguish the fire by pouring water into a hot fire bowl because this may cause distortion, rust or flaking paint. Fire should be allowed to die out on its own, or extinguished with a fire extinguisher. Its important to note that fire can continue to smoulder and embers remain hot even if there is no visible flame. Make sure to stay near the fire pit after the flame is out to check for burning embers or smoke, which could indicate that a live fire still exists.

When in doubt, after the bowl has been allowed plenty of time to cool down, fill the inside of the fire pit with water to make sure all the fire is out. The fire pit could still be hot for hours after use.

Cleaning The Fire Pit

Once you are sure the fire is out and there is no danger of being burned, dispose of any remaining ash and fire fuel(charcoal or wood), then wipe the fire pit clean with a rag and water.

DO NOT USE A CHEMICAL BASED CLEANER as this may ignite a flame on next use.

Storage

It is best to keep the Chimeneas or Fire pits out of the rain. After you are sure the fire is completely extinguished, clean it out and store it away so it does not get wet from outdoor conditions.

PARTS

SEE PARTS ILLUSTRATION AND PARTS LIST ON PAGE 4.

Note: Use only original replacement parts. This will protect your warranty coverage for parts replaced under warranty.

PARTS UNDER WARRANTY

Contact authorized dealers of this product. If they can't supply original replacement parts, call Customer Service toll free at 1-866-762-4050 for referral information.

When calling Customer Service or your dealer, have ready:

- Your name
- Your address
- Model and serial number of your fire pit

- How fire pit was malfunctioning
- Purchase date

Usually, we will ask you to return the defective part to the factory

PARTS NOT UNDER WARRANTY

Contact authorized dealers of this product. If they can't supply original replacement part(s) call Customer Service toll free at 1-866-762-4050 for referral information.

When calling Customer Service have ready:

- Model number of your fire pit
- The replacement part number

WARRANTY

KEEP THIS WARRANTY

Model _____

Serial No. _____

Date Purchased _____

Keep receipt for warranty verification.

REGISTER YOUR PRODUCT AT WWW.BLUEGRASSLIVING.COM BLUEGRASS LIVING LIMITED WARRANTIES

New Products

Standard Warranty: Bluegrass Living warrants this new product and any parts thereof to be free from defects in material and workmanship for a period of one (1) year from the date of first purchase from an authorized dealer provided the product has been installed, maintained and operated in accordance with Bluegrass Living's warnings and instructions.

For products purchased for commercial, industrial or rental usage, this warranty is limited to 90 days from the date of first purchase.

Factory Reconditioned Products

Limited Warranty: Bluegrass Living warrants factory reconditioned products and any parts thereof to be free from defects in material and workmanship for a period 30 days from the date of first purchase from an authorized dealer provided the product has been installed, maintained and operated in accordance with Bluegrass Living's warnings and instructions. No return will be authorized. Parts will be provided to repair the product.

Terms Common to All Warranties

The following terms apply to all of the above warranties:

Always specify model number and serial number when contacting the manufacturer. To make a claim under this warranty, the bill of sale or other proof of purchase must be presented.

This warranty is extended only to the original retail purchaser when purchased from an authorized dealer, and only when installed by a qualified installer in accordance with all local codes and instructions furnished with this product.

This warranty covers the cost of part(s) required to restore this product to proper operating condition and an allowance for labor when provided by a Bluegrass Living Authorized Service Center or a provider approved by Bluegrass Living. Warranty parts must be obtained through authorized dealers of this product and/or Bluegrass Living who will provide original factory replacement parts. Failure to use original factory replacement parts will void this warranty.

Traveling, handling, transportation, diagnostic, material, labor and incidental costs associated with warranty repairs, unless expressly covered by this warranty, are not reimbursable under this warranty and are the responsibility of the owner.

Excluded from this warranty are products or parts that fail or become damaged due to misuse, accidents, improper installation, lack of proper maintenance, tampering or alteration(s).

This is Bluegrass Living's exclusive warranty, and to the full extent allowed by law; this express warranty excludes any and all other warranties, express or implied, written or verbal and limits the duration of any and all implied warranties, including warranties of merchantability and fitness for a particular purpose to one (1) year on new products and 30 days on factory reconditioned products from the date of first purchase.

Bluegrass Living makes no other warranties regarding this product.

Bluegrass Living's liability is limited to the purchase price of the product and Bluegrass Living shall not be liable for any other damages whatsoever under any circumstances including direct, indirect, incidental, or consequential damages.

Some states do not allow limitations on how long an implied warranty lasts or the exclusion or limitation of incidental or consequential damages, so the above limitation or exclusion may not apply to you.

This warranty gives you specific legal rights, and you may also have other rights which vary from state to state.



Bluegrass Living Inc.
2800 Griffin Drive
Bowling Green, KY 42101
1-866-762-4050

200560-01
Rev. A
03/2021