



## **VENTED NATURAL GAS LOG INSTALLATION INSTRUCTIONS**

**MODELS**

**FNL18L103B, FN24L103B &  
FN30L103B**

**LOG CLUSTER**

**For Use With FNV18C-1, FNV24C-1, & FNV30C-1 Chassis**



**FNL18L103B Shown**



**Questions, problems, missing parts? Before returning to your retailer, call  
our customer service department at 1-855-607-6557, 8:00 am - 4:30 pm CST,  
Monday through Friday or email [contact@factorybuysdirect.com](mailto:contact@factorybuysdirect.com)**

---

---

## TABLE OF CONTENTS

---

---

Safety .....	2
Local Codes.....	2
Qualified Installing Agency .....	3
Installation Guidelines .....	4
Installing Logs.....	5
Parts .....	7

### SAVE THIS BOOK

**INSTALLER:** Leave this manual with the appliance.  
**CONSUMER:** Retain this manual for future reference.

This log set has been tested and approved to ANSI Z21.11.2 standard for Unvented Heaters and also complies with ANSI Z21.60 Decorative Vented Appliances for Solid Fuel Burning Fireplaces. State and local codes in some areas prohibit the use of vent-free heaters. Check your state or local codes.

---

---

## INSTALLATION GUIDELINES

---

---

### **Qualified Installation Agency**

This set should only be installed by a qualified installation agency.

### **Proper Log Placement**

Log placement is critical to proper burner performance. Logs must be correctly positioned onto the burner. The illustrations in this manual show the proper position for logs on this set. Owners need to be shown proper log placement and instructed not to move the logs.

Logs must fit firmly onto the burner when positioned as shown in the illustrations. Malformed logs or broken logs must be replaced.

### **Proper Log Set Operation**

Properly installed and properly maintained log sets do not deposit soot on the logs. If users see soot appear on a log, call for service. Do not continue to operate the log set.

### **Wood Burning Fireplaces**

The interior of the firebox and the chimney should be cleaned and free of all creosote before installing a gas burning log set. Creosote will soften when heated and can drop on the log set causing odors and possibly sooting.

## INSTALLING LOGS

**⚠ WARNING:** Failure to position the parts in accordance with these diagrams or failure to use only parts specifically approved with this heater may result in property damage or personal injury.

Install the Grate Steps as shown below on the right and left side grate fingers at the back of the rear legs. Use the provided screws to attach the inner and outer step together. This process is the same for all models.

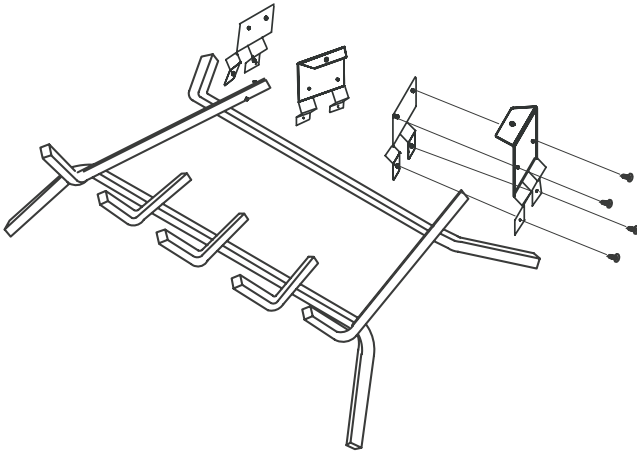


Figure 1

### MODEL FNL18L103B

1. Place vermiculite into burner pan. Pull glowing ember loosely, and sprinkle uniformly on the surface of vermiculite as shown below.
2. Install grate steps (see Figure 1).
3. Place log #1 on the grate steps.
4. Place log #2 on the left, front of the grate base.
5. Place log #3 on the right, front of the grate base.

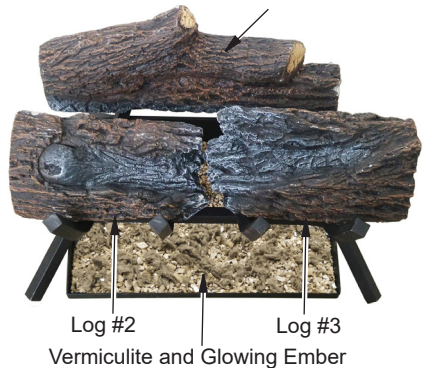
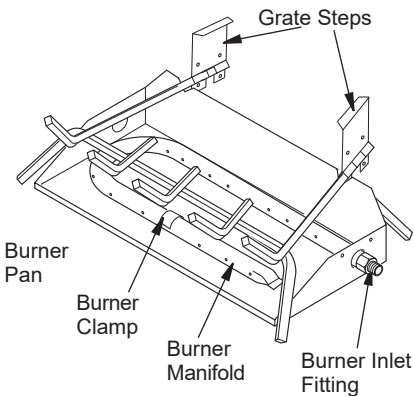
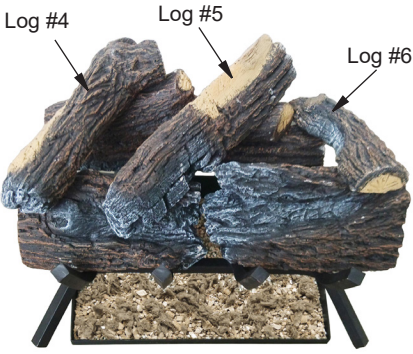


Figure 2

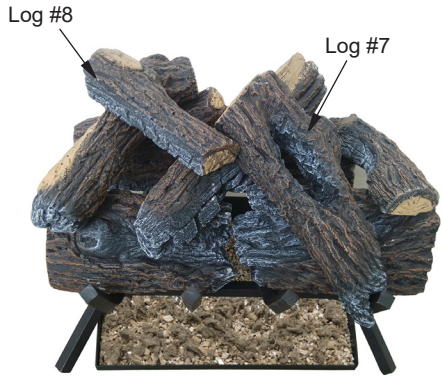
## INSTALLING LOGS

6. Place log #4 on log #1 and log #2.
7. Place log #5 on log #1 and log #2.
8. Place log #6 on log #1 and log #3.



**Figure 3**

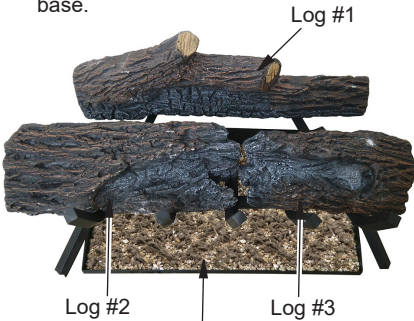
9. Place log #7 on log #5 and log #3.
10. Place log #8 on log #4 and log #5.



**Figure 4**

### MODEL FNL24L103B

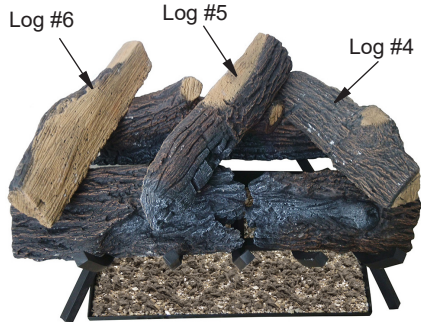
1. Place vermiculite into burner pan. Pull glowing ember loosely, and sprinkle uniformly on the surface of vermiculite as shown below.
2. Install grate steps (see Figure 8, page 10).
3. Place log #1 on the grate steps.
4. Place log #2 on the left, front of the grate base.
5. Place log #3 on the right, front of the grate base.



Vermiculite and Glowing Ember

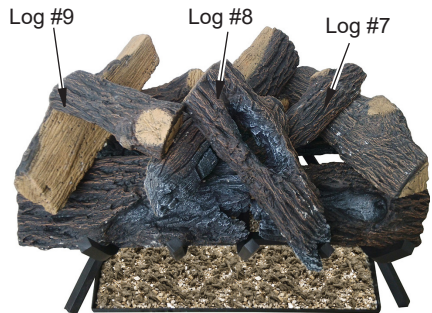
**Figure 5**

6. Place log #4 on log #1 and log #3.
7. Place log #5 on log #1 and log #2.
8. Place log #6 on log #1 and log #2.



**Figure 6**

9. Place log #7 on log #4 and log #2.
10. Place log #8 on log #5 and log #3.
11. Place log #9 on log #6 and log #5.



**Figure 7**

---

---

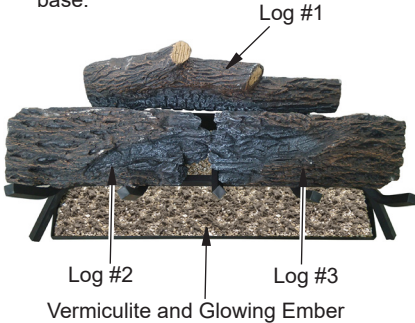
## INSTALLING LOGS

---

---

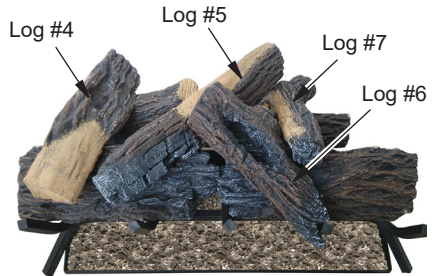
### MODEL FNL30L103B

1. Place vermiculite into burner pan. Pull glowing ember loosely, and sprinkle uniformly on the surface of vermiculite as shown below.
2. Install grate steps (see Figure 8, page 10).
3. Place log #1 on the grate steps.
4. Place log #2 on the left, front of the grate base.
5. Place log #3 on the right, front of the grate base.



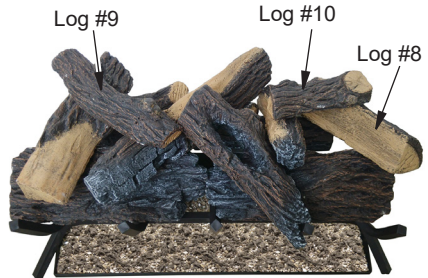
**Figure 8**

6. Place log #4 on log #1 and log #2.
7. Place log #5 on log #1 and log #2.
8. Place log #6 on log #5 and log #3.
9. Place log #7 on log #1 and log #3.



**Figure 9**

10. Place log #8 on log #1 and log #3.
11. Place log #9 on log #4 and log #5.
12. Place log #10 on log #7 and log #8.



**Figure 10**

---

---

## CURING LOGS

---

---

During the 2-3 hour appliance curing period, you may detect an odor from the appliance as the various paints and compounds used in the manufacturing of this log set cure. This is a normal and temporary situation that is not cause for alarm. However, you may want to provide extra ventilation to the room during this time.

To ensure proper curing of the logs:

- Ignite a 2" flame and maintain it for 1 hour.
- Burn the logs in consecutive 1 hour periods raising the flame an additional 2" to full flame height for a total of three hours.

This list contains replaceable parts used in your heater. When ordering parts, contact authorized dealers of this product or call customer service at 1-855-607-6557. When calling have your model and serial numbers available.

ITEM	FN18L103B	DESCRIPTION	QTY
	FN18L103B	Log Assembly	1
1	FNVL18-1-1	Log 1	1
2	FNVL18-1-2	Log 2	1
3	FNVL18-1-3	Log 3	1
4	FNVL18-1-4	Log 4	1
5	FNVL18-1-5	Log 5	1
6	FNVL18-1-6	Log 6	1
7	FNVL18-1-7	Log 7	1
8	FNVL18-1-8	Log 8	1

ITEM	FN24L102B	FN30L102B	DESCRIPTION	QTY
1	FNVL24-1-1	FNVL30-1-1	Log 1	1
2	FNVL24-1-2	FNVL30-1-2	Log 2	1
3	FNVL24-1-3	FNVL30-1-3	Log 3	1
4	FNVL24-1-4	FNVL30-1-4	Log 4	1
5	FNVL24-1-5	FNVL30-1-5	Log 5	1
6	FNVL24-1-6	FNVL30-1-6	Log 6	1
7	FNVL24-1-7	FNVL30-1-7	Log 7	1
8	FNVL24-1-8	FNVL30-1-8	Log 8	1
9	FNVL24-1-9	FNVL30-1-9	Log 9	1
10	---	FNVL30-1-10	Log 10	1



**FACTORY  
BUYS  
DIRECT.COM**

Factory Buys Direct.com  
2701 Industrial Drive  
Bowling Green, KY 42101  
1-855-607-6557

200560-01  
Rev. A  
07/23