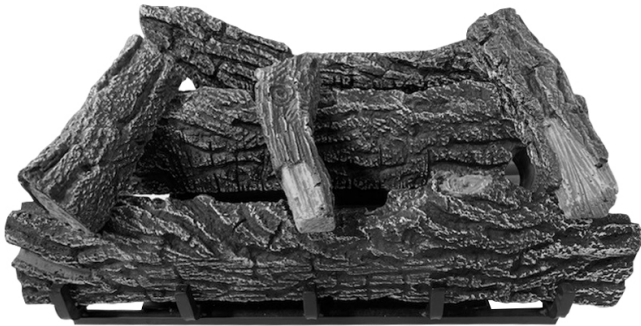


**VENT-FREE GAS LOGS
INSTALLATION INSTRUCTIONS**

**MODELS
FVFLC22-1
LOG CLUSTER**

**For Use With FLM24-1-LP, FLM24-1-NG, FLT24-1-LP, FLT24-1-NG
and FDLT24-1 Burner Chassis**



**Questions, problems, missing parts? Before returning to your retailer, call
our customer service department at 1-855-607-6557, 8:00 am - 4:30 pm CST,
Monday through Friday or email contact@factorybuysdirect.com**

TABLE OF CONTENTS

Safety	2
Local Codes.....	2
Qualified Installing Agency	3
Installation Guidelines	3
Installing Logs.....	4
Parts	5

SAVE THIS BOOK

INSTALLER: Leave this manual with the appliance.
CONSUMER: Retain this manual for future reference.

This log set has been tested and approved to ANSI Z21.11.2 standard for Unvented Heaters and also complies with ANSI Z21.60 Decorative Vented Appliances for Solid Fuel Burning Fireplaces. State and local codes in some areas prohibit the use of vent-free heaters. Check your state or local codes.

INSTALLATION GUIDELINES

Qualified Installation Agency

This set should only be installed by a qualified installation agency.

Proper Log Placement

Log placement is critical to proper burner performance. Logs must be correctly positioned onto the burner. The illustrations in this manual show the proper position for logs on this set. Owners need to be shown proper log placement and instructed not to move the logs.

Logs must fit firmly onto the burner when positioned as shown in the illustrations. Malformed logs or broken logs must be replaced.

Proper Primary Airflow into the Burner

For proper burner operation and flame appearance, the flow of primary air into the venturi tube, located on the rear of the burner, must not be reduced. This flow of air is reduced if dirt, lint or other obstructions build-up around or inside the venturi. Any obstruction in the venturi tube area must be removed. The flow of air into the venturi is also reduced if the gas orifice isn't centered in the venturi inlet and/or is not aligned with the venturi. Any misalignment of the burner orifice may be corrected by bending the shutter cap holding the orifice to the inlet or the venturi tube.

Ceiling Fans, Portable Fans or Logs Installed Near Cold Air Returns

Ceiling fans or oscillating floor type fans need to be monitored during the operation of vent-free logs. If the air blows directly into the flame causing it to impinge on the log set, or firebox, it should be turned off or redirected. Ceiling fans could be reversed to possibly eliminate flame impingement, and the floor fan could be redirected. Upon installation, be aware of any cold air returns or vents in the proximity of the log set. Any draft created around a vent-free log set can cause the flame to impinge on the log and create a sooting situation.

Candles

Avoid the use of scented or decorative candles while the log set is in operation. Candles produce a residue in the air that creates a soot like substance. Burning candles while the log set is operating magnifies the problem. It should be noted that candles, in general, produce soot. The amount of time burned and the quantity of candles burned will determine the amount of soot produced and deposited.

Proper Log Set Operation

Properly installed and properly maintained log sets do not deposit soot on the logs. If users see soot appear on a log, call for service. Do not continue to operate the log set.

Sunken Fireplace

If installing this unit into a sunken fireplace, you must raise the floor to insure adequate airflow and guard against sooting. Raise fireplace floor using a noncombustible material, which is secure.

Glass Doors

Make sure that glass doors are open during all operations of the log set. The opening of the glass door frame should be the dimension used for the minimum front opening of the firebox.

Wood Burning Fireplaces

The interior of the firebox and the chimney should be cleaned and free of all creosote before installing a gas burning log set. Creosote will soften when heated and can drop on the log set causing odors and possibly sooting.

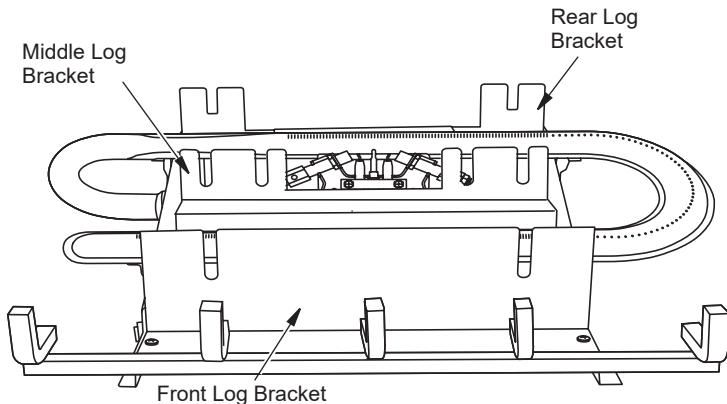
INSTALLING LOGS

⚠ WARNING: Failure to position the parts in accordance with these diagrams or failure to use only parts specifically approved with this heater may result in property damage or personal injury.

⚠ CAUTION: After installation and periodically thereafter, check to ensure that no yellow flame comes in contact with any log. With the heater set to High, check to see if yellow flames contact any log. If so, reposition logs according to the log installation instructions in this manual. Yellow flames contacting logs will create soot.

It is very important to install the logs exactly as instructed. Do not modify logs. Use only logs supplied with heater.

Each log is marked with a number. This number will help you to identify the logs when installing. After installing logs, add decorative cinders around the grate base, do not place any decorative cinders on logs or burner.



CHASSIS SHOWN

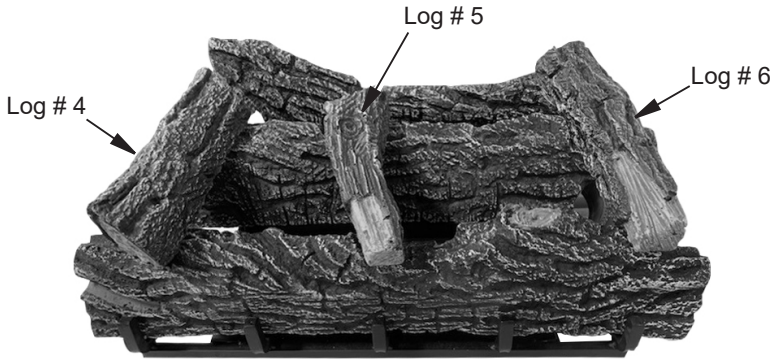
1. Place log #1 onto shelf at rear of the grate assembly. The features on bottom of log will correctly locate the log.
2. Insert log #2 into slot in middle log bracket.



INSTALLING LOGS

3. Place log #3 into the area between the front log bracket and grate fingers.
4. Place log #4 into notches in logs #1 and #3 at the left as shown.
5. Place log #5 into notches in logs #2 and #3 at the center as shown.
6. Place log #6 into notches in logs #1 and #3 as shown. The center of Log #6 will rest on a flat on log #2

IMPORTANT: When placing logs 4, 5 and 6 ensure logs are securely placed into cut out notches in logs 1, 2 and 3.



ITEM	FVFLC22-1	DESCRIPTION	QTY
1	FVFLC22-1-1	Log 1	1
2	FVFLC22-1-2	Log 2	1
3	FVFLC22-1-3	Log 3	1
4	FVFLC22-1-4	Log 4	1
5	FVFLC22-1-5	Log 5	1
6	FVFLC22-1-6	Log 6	1



Factory Buys Direct.com
2701 Industrial Drive
Bowling Green, KY 42101
1-855-607-6557

200235-
02 Rev. A
08/23