



# Floor Mantel and Base Assembly Instructions

MODEL: AF-C

## Carton contents

PART	DESCRIPTION	QTY
PARTS		
A	BASE	1
B	LEFT SIDE	1
C	RIGHT SIDE	1
D	FRONT PANEL	1
E	TOP	1
HARDWARE		
F	CAM DOWEL	22
G	WOOD DOWEL	10
H	CAM LOCK	22

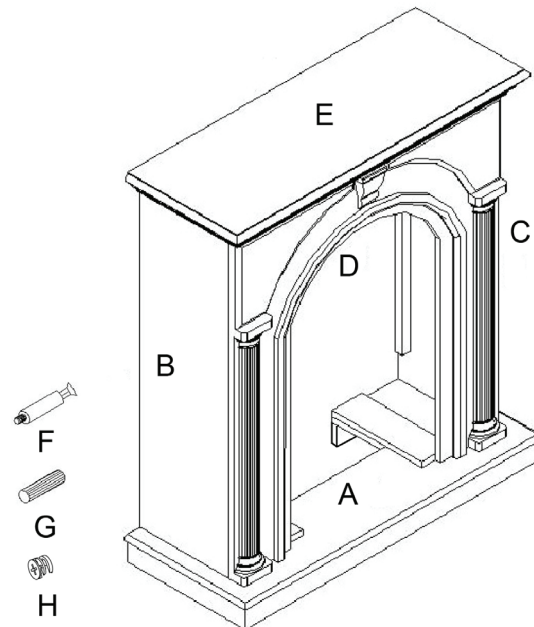


Figure 1

**NOTE:** Carefully inspect each part for shipping damage before beginning assembly. Compare the carton contents with the list above. All necessary hardware is provided to fasten the mantel parts together. When tightening screws, do not over tighten. This may cause threads to strip. For this reason, we recommend using a manual screwdriver rather than a power screwdriver. Do not force screws into holes.

**IMPORTANT:** Read instructions carefully before starting assembly and installation of mantel. This mantel is only approved for use with HeartSense brand gas fireplace system. Do not use mantel with any other brand products.

1. Lay FRONT PANEL (D) down on a soft surface to avoid damaging the mantel surface and finish. Place 6 WOOD DOWELS (G) and screw 8 CAM DOWELS (F) into the FRONT PANEL (D) as shown in figure 2. Insert 8 CAM LOCKS (H) into the mating holes in the LEFT SIDE (B) and RIGHT SIDE (C) with the triangle arrow pointing towards the hole in the edge. Mate the LEFT SIDE (B) and RIGHT SIDE (C) with the WOOD DOWELS (G) and CAM DOWELS (F) in FRONT PANEL (D) and twist CAM LOCKS (H) clockwise with a screwdriver to tighten mantel sides to front panel.

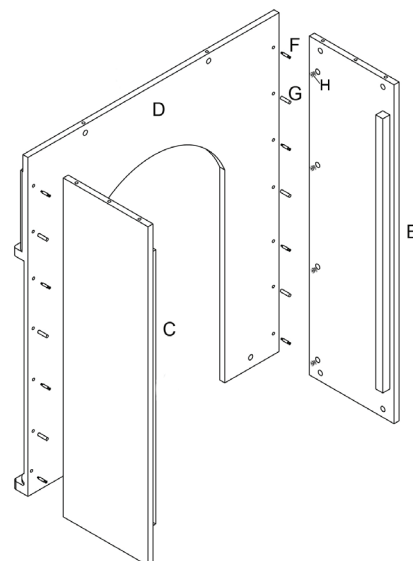
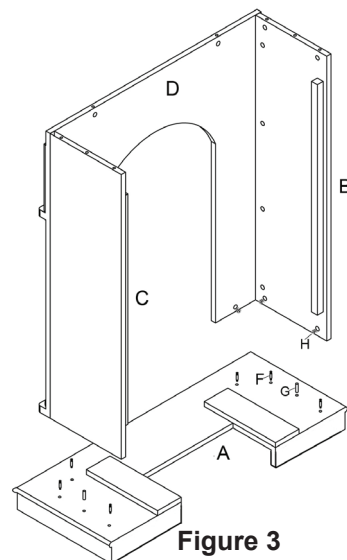


Figure 2

2. Place 2 WOOD DOWELS (G) and screw 6 CAM DOWELS (F) into the BASE (A) as shown in figure 3. Insert 6 CAM LOCKS (H) into the mating holes in the LEFT SIDE (B), RIGHT SIDE (C) and FRONT PANEL (D) with the triangle arrow pointing towards the hole in the edge. Mate the LEFT SIDE (B), RIGHT SIDE (C) and FRONT PANEL (D) with the WOOD DOWELS (G) and CAM DOWELS (F) in and BASE (A) and twist CAM LOCKS (H) clockwise with a screwdriver to tighten mantel sides to front panel.

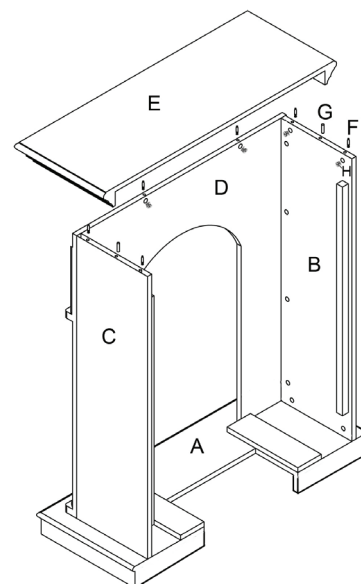
3. Place 2 WOOD DOWELS (G) and screw 6 CAM DOWELS (F) into the TOP (E) as shown in figure 4. Insert 6 CAM LOCKS (H) into the mating holes in the LEFT SIDE (B), RIGHT SIDE (C) and FRONT PANEL (D) with the triangle arrow pointing towards the hole in the edge. Mate the LEFT SIDE (B), RIGHT SIDE (C) and FRONT PANEL (D) with the WOOD DOWELS (G) and CAM DOWELS (F) in and TOP (E) and twist CAM LOCKS (H) clockwise with a screwdriver to tighten mantel sides to front panel.



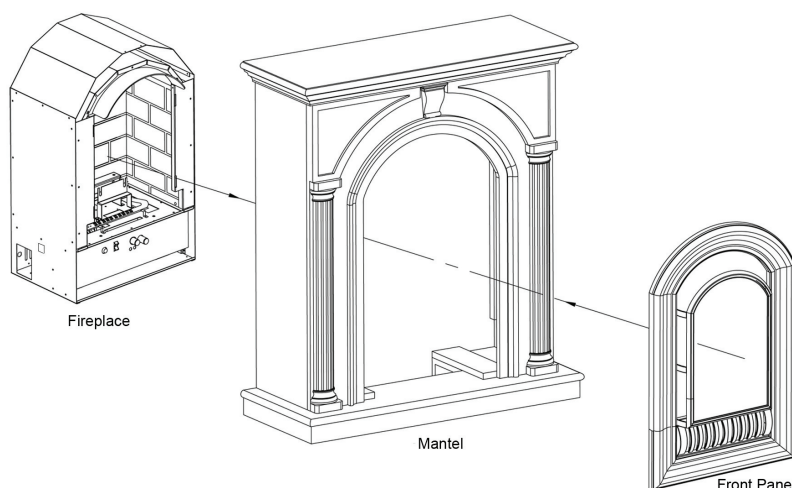
**Figure 3**

## **GAS FIREPLACE INSTALLATION**

1. Fireplace should be fully assembled. Refer to fireplace owner's manual.
2. Place mantel assembly close to installation location. Refer to fireplace owner's manual for installation clearances. Provide enough room to insert fireplace from back of mantel.
3. Install gas line per the requirements outlined in the fireplace owner's manual. Remember to leave access to the gas shutoff valve where it is accessible to the user.
4. Check for leaks per the instructions in the fireplace owner's manual.
5. Position fireplace inside mantel (see Figure 5). Carefully position gas lines. Important: Use caution when positioning fireplace on base. Base may scratch easy. Make sure fireplace is in proper position within mantel opening.
6. Carefully push mantel and base into position against wall.
7. Complete the fireplace assembly of log placement and front panel by following the instructions in the fireplace owner's manual.



**Figure 4**



**Figure 5 Gas Fireplace installation**



**Questions about installation, operation, or troubleshooting?** Before returning to your retailer, call customer service department toll-free at **(877)886-5989**.