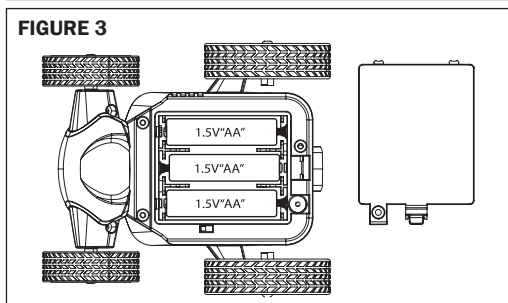
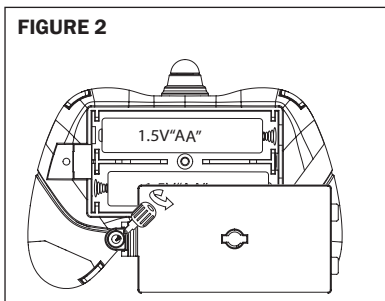
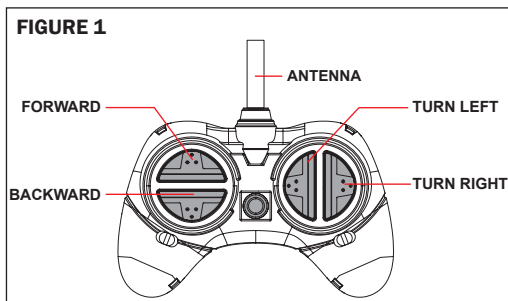


Please read this instruction manual carefully before using.

- For Ages 6+
- Adult guidance is strongly recommended.



BATTERY INSTALLATION

REMOTE CONTROL (Figure 2)

1. Loosen and remove the lock screw located on the rear of your remote control and remove the battery compartment lid.
2. Insert 2 AA batteries according to the polarity information located in the compartment; make sure the (+) and (-) poles of each battery are positioned correctly.
3. Replace the battery compartment door and screw; tighten screw completely to lock in place.

CAR (Figure 3)

1. Loosen and take out the lock screw located on the rear of your Cyclone and remove the battery compartment lid.
2. Insert 3 AA batteries according to the polarity information located in the compartment; make sure the (+) and (-) poles of each battery are positioned correctly.
3. Replace the battery compartment door and screw; tighten screw completely to lock in place.

OPERATION

1. The Cyclone is activated by moving the toggle switch located on the bottom of the vehicle to the ON position. To deactivate, move the switch to the OFF position
2. Your vehicle is paired to the remote control once batteries have been installed.
3. Drive the car by operating the buttons on your remote control (**Figure 1**).

SPINNING STUNT MOVES – Your Cyclone is capable of any number of spins, turns, wheelies and other stunts. To do so, simply move your Cyclone backward or forwards while also pushing one of the buttons on the right side of the remote that make the front axle twist. Different combinations of pushing these buttons will create different tricks!

FORWARD – To move your vehicle forward, press the remote's FORWARD button.

BACKWARD – To move your vehicle backwards, press the remote's BACKWARD button.

ROLLOVER STUNTS – Your vehicle can rollover in multiple directions. To do so simply press either the FORWARD or BACKWARD button while simultaneously pressing the TURN LEFT or TURN RIGHT buttons.

WHEELIE STUNT – Press the BACKWARD button, then quickly press the FORWARD button while simultaneously pressing and alternating between the TURN LEFT and TURN RIGHT button.

WARNINGS:

- Not suitable for children under 6 years of age.
- Installation of batteries should ALWAYS be done by an adult.
- Keep fingers, hair and loose clothing away from the vehicle's tires and wheels.
- Don't pick up the vehicle while in motion.
- Don't place your vehicle or remote control near any source of heat.
- Don't operate your vehicle in dangerous places.
- Avoid operating on sand, gravel or other loose surfaces.
- Don't let the vehicle get wet. Don't run through water or operate in the rain.
- Do not disassemble the vehicle or remote control.
- If the vehicle is damaged and any broken parts are exposed, the vehicle should not be used.
- Watch for and avoid obstacles.
- For best results, operate on hard flat surfaces. Operation on pliable surfaces such as carpeting or rugs may prevent some stunts.

BATTERY CARE:

- Failure to insert batteries in the correct polarity may shorten the life of the batteries or cause batteries to leak.
- Do not mix old and new batteries.
- For best results, use alkaline batteries.
- Do not mix Alkaline, Standard (Carbon-Zinc) or Rechargeable (Nickel Cadmium) or (Nickel Metal Hydride) batteries.
- Do not dispose of batteries in fire.
- Batteries should be recycled or disposed of as per manufacturer's recommendations.

FCC INFORMATION

- "This device complies with Part 15 of the FCC Rules. Operation is subject to the following two conditions: (1) this device may not cause harmful interference, and (2) this device must accept any interference received, including interference that may cause undesired operation."

Instruction manual shall include,

- "Warning: Changes or modifications to this unit not expressly approved by the party responsible for compliance could void the user's authority to operate the equipment."

- "NOTE: This equipment has been tested and found to comply with the limits for a Class B digital device, pursuant to Part 15 of the FCC Rules.

These limits are designed to provide reasonable protection against harmful interference in a residential installation. This equipment generates, uses and can radiate radio frequency energy and, if not installed and used in accordance with the instructions, may cause harmful interference to radio communications. However, there is no guarantee that interference will not occur in a particular installation. If this equipment does cause harmful interference to radio or television reception, which can be determined by turning the equipment off and on, the user is encouraged to try to correct the interference by one or more of the following measures:

- Reorient or relocate the receiving antenna.
- Increase the separation between the equipment and receiver.
- Connect the equipment into an outlet on a circuit different from that to which the receiver is connected.
- Consult the dealer or an experienced radio/TV technician for help."

FCC Radiation Exposure Statement: The device has been evaluated to meet general RF exposure requirement. The device can be used in the portable exposure condition without restriction.

30 DAYS LIMITED WARRANTY:

FLIPO GROUP warrants to the original purchaser, when used in North America only, that this product shall be free of defects in material and workmanship. This warranty applies within 30 days of the original purchase with normal home use. This warranty does not apply for commercial use of this product. Use outside of North America is not covered by this warranty.

During the warranty period, we will at our option, repair or replace this product without charge, which shall be the consumer's sole remedy. ALL RETURNS must be accompanied by a Return Authorization Number, which is issued by the Customer Service Department of Flipo Group. Please contact Customer Service BEFORE returning any item. Once you have obtained a Return Authorization Number, the product must be returned with a clear copy of the proof of purchase, showing place and date of purchase, postage and insurance prepaid to:

*Flipo Group
613 First Street
La Salle, IL 61301*

This warranty does not cover installation, adjustments in the home, nor damage due to accidents, misuse, abuse, fire or other acts of God, incorrect line voltage, damage to other equipment caused by improper installation, unauthorized or improper modification. This warranty gives you specific legal rights and you may also have other rights that vary from state to state.



Manufactured by Flipo Group Limited La Salle, IL

Questions or Comments? Call: (815) 223-9942 • Email: info@flipo.com • Fax: (815) 223-9266

MADE IN CHINA