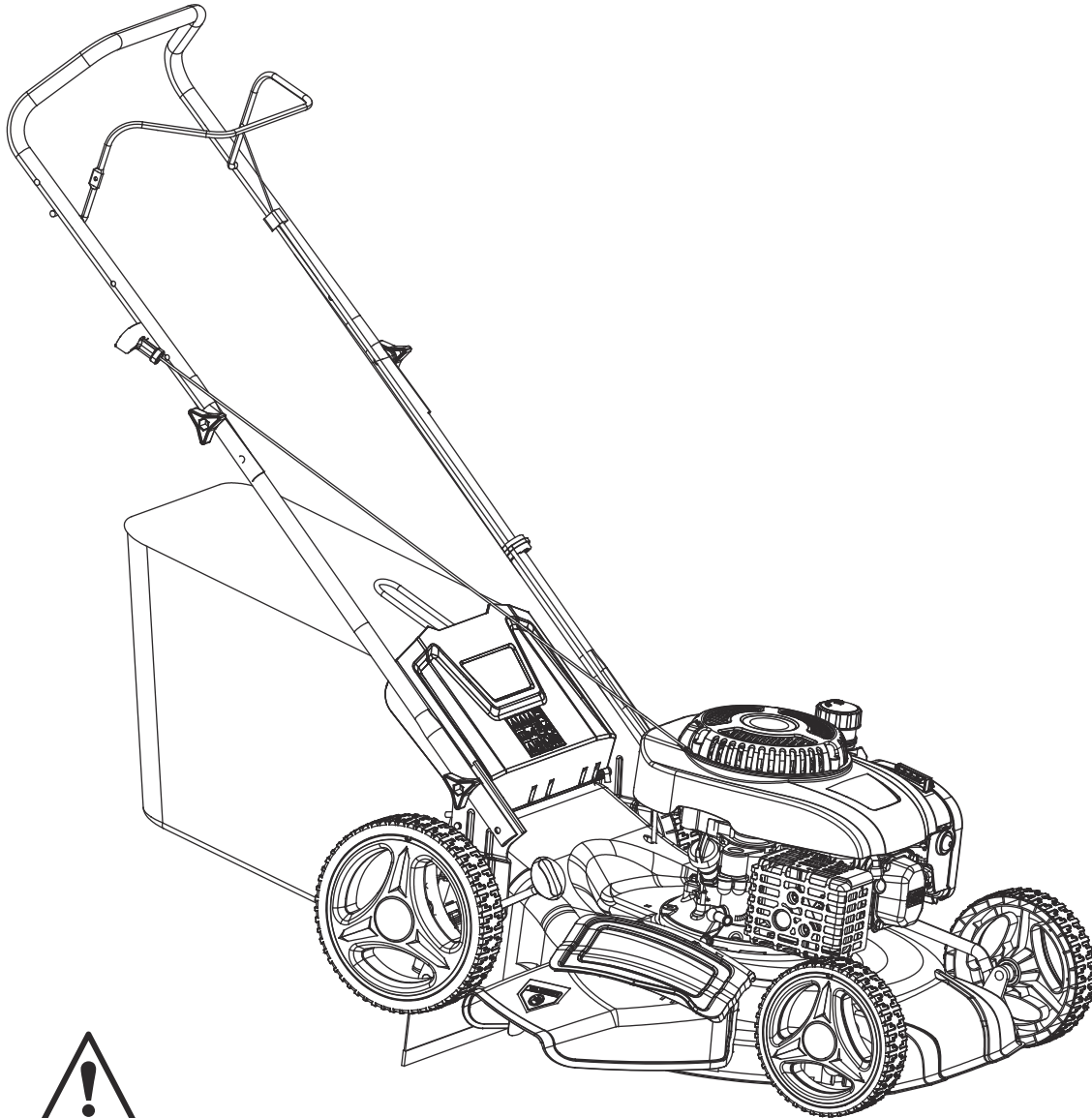




Model#PTG1221A2

Lawn Mower OPERATOR'S MANUAL



Warning: The Engine Exhaust from this product contains chemicals known to the State of California to cause cancer, birth defects or other reproductive harm.

support@pulsar-products.com

INTRODUCTION

Thank you for purchasing this superior quality lawn mower from Pulsar Products Inc. When operating and maintaining this product as instructed in this manual, your lawn mower will give you many years of reliable service.

The emissions control system for this lawn mower is compliant with all standards set by the U.S. Agency.

How to contact us:

To order parts, receive warranty assistance, or other service inquiries, contact us at: 866.591.8921, or support@pulsar-products.com

PULSAR PRODUCTS, INC
5721 E. SANTA ANA ST.
ONTARIO, CA 91761
866-591-8921

Save your original sales receipt and record the following information below for service or warranty assistance.

Date of Purchase:	
Model Number:	
Item Number:	
Serial Number:	



SAVE THIS MANUAL FOR FUTURE REFERENCE

This manual contains important information regarding safety, operation, and maintenance.

TABLE OF CONTENTS

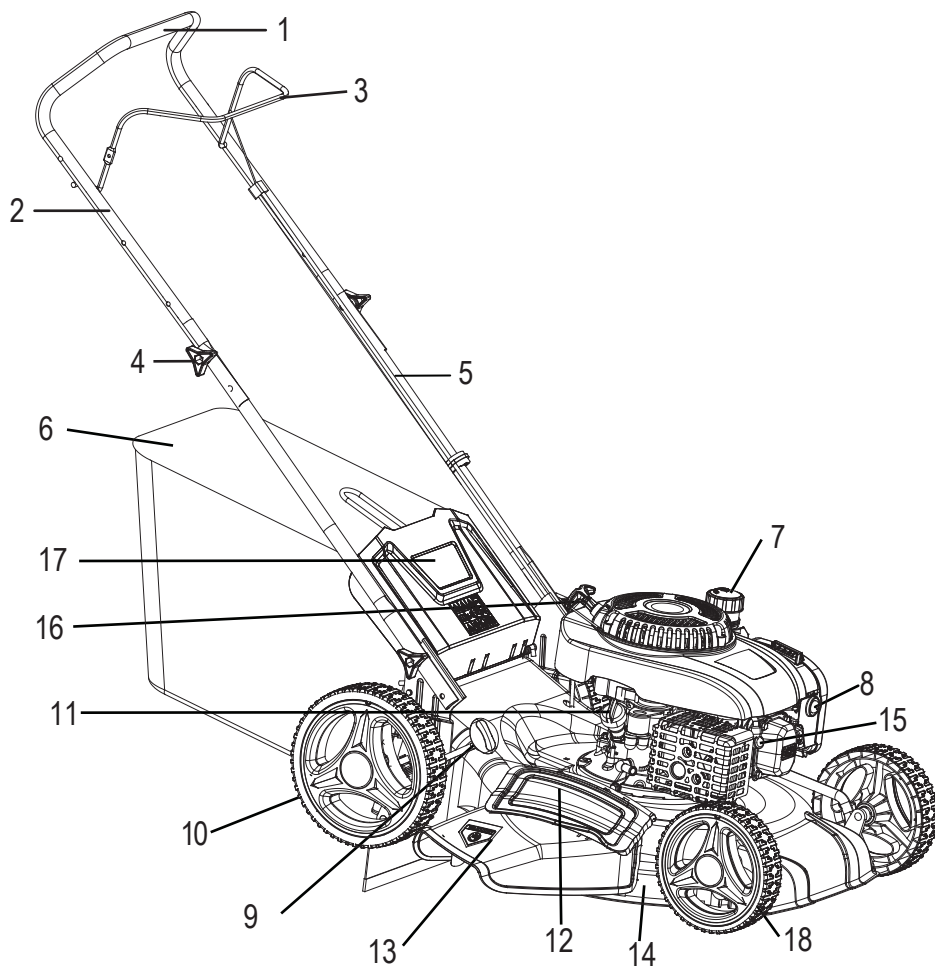
Description of Product Parts.....	3
Technical Specifications.....	5
Intended use.....	6
Safety Information.....	7
Assembly.....	11
Adjustment	15
Operation.....	16
Storing and Maintenance.....	19
Troubleshooting	24

DESCRIPTION OF PRODUCT PARTS

As shown in Fig 1

- | | | | |
|----|-----------------------------------|-----|----------------------|
| 1. | Soft grip foam grip | 10. | Rear wheel |
| 2. | Upper handle | 11. | Engine oil cap |
| 3. | Start Lever | 12. | Side discharge cover |
| 4. | Fixing knob with square neck bolt | 13. | Side discharge chute |
| 5. | Lower handle | 14. | Deck |
| 6. | Grass bag | 15. | Spark plug boot |
| 7. | Fuel tank cap | 16. | Pull start |
| 8. | Primer | 17. | Rear discharge cover |
| 9. | Height adjusting handle | 18. | Front wheel |

Fig 1



DESCRIPTION OF PRODUCT PARTS

As shown in Fig 2

Carefully remove the machine from its packaging and check that the following parts are complete:

- A. Main mower deck (with upper handle and lower handle) 1pc
- B. Cable clip 1pc
- C. Grass bag assembly
- D. Side discharge chute 1pc
- E. Manual 1pc
- F. Knob with bolt M8 2pc (Lower handle)
- G. Knob with bolt M8 2pc (Upper handle)
- H. Spark Plug Wrench 1pc
- I. Plastic mulching plug 1pc (inside the mower)

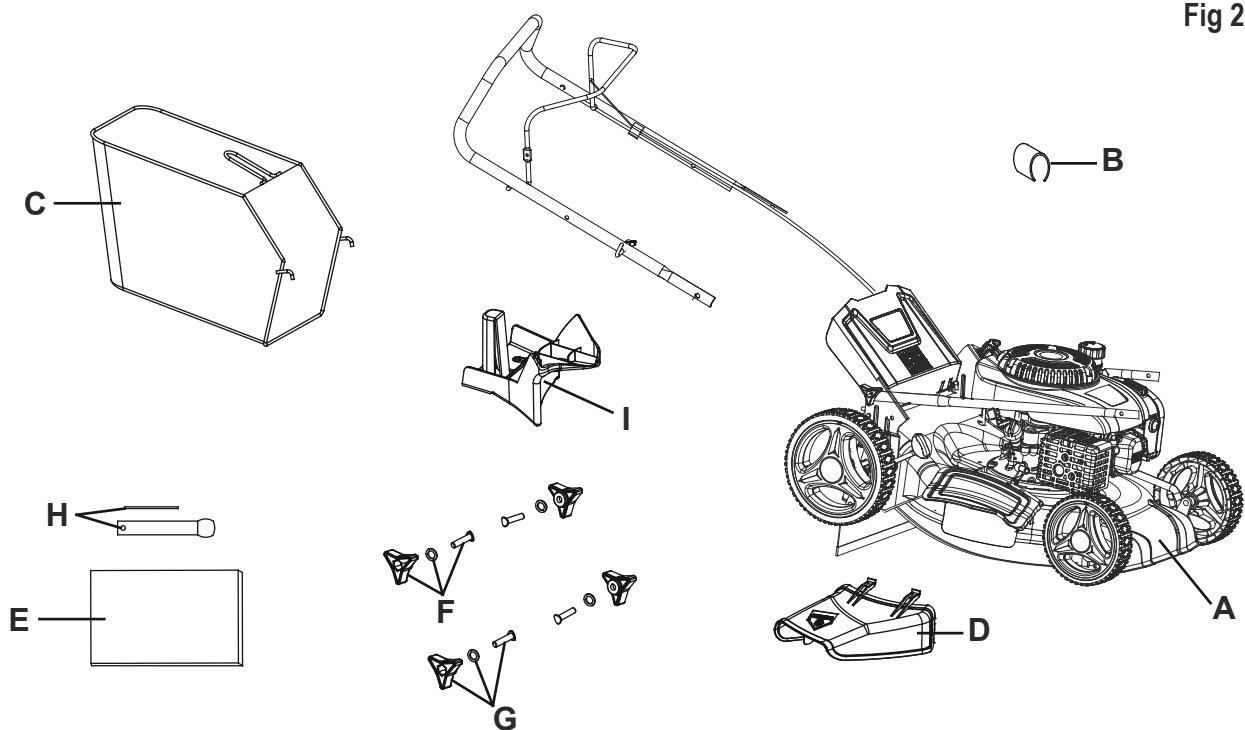


Fig 2

WARNING! If any parts are damaged or missing, do not operate this tool until the missing parts are replaced. Failure to heed this warning could result in serious personal injury.

NOTE! NOTE! Always recycle the packaging in accordance with local recycling laws.

WARNING! This item requires a two person lift to remove from the packaging. Make sure that you have sufficient space to put the lawn mower down. Keep your feet apart so that you have a stable position, bend at the knees and keep your back straight.

TECHNICAL SPECIFICATIONS

Engine Type	Single cylinder 4-stroke
Engine displacement	200 CC
Engine rated power	3.8KW
Engine speed	2800 RPM
Cutting width	21 Inches/530mm
Grass bag capacity	17.2 Gallon/65L
Ignition	T.C.I
Fuel tank	0.4 Gallons/1.5L
Oil tank	0.5 Quarts/0.5L
Net weight	60 lbs/27.2KG
Vibration Data	
Measure vibration emission value	6.1m/s ²
Uncertainty	1.5m/s ²

INTENDED USE

This gas powered lawn mower has been designed for cutting lawn areas in private house and hobby gardens.

The machine is to be used only for its prescribed purpose. Any other use is deemed to be a case of misuse. The user/operator and not the manufacturer will be liable for any damage or injuries of any kind caused as a result of this.

Please note that our equipment has not been designed for use in commercial, trade or industrial applications. Our warranty will be voided if the machine is used in commercial, trade or industrial businesses or for equivalent purposes.

SAFETY INFORMATION

IMPORTANT

Please read these instructions fully before assembling and operating.

Description Of Symbols

Symbols are used in this manual to attract your attention to possible risks. The safety symbols and the explications which accompany them must be perfectly understood. The warning themselves do not prevent the risks and cannot be a substitute for proper methods of avoiding accidents.

Warning Symbols On The Machine



WARNING- To reduce the risk of injury, user must read instruction manual.



This symbol, before a safety comment, indicates a precaution, a warning or a danger. Ignoring this warning can lead to an accident for yourself or for others. To limit the risk of injury, fire, or electrocution always apply the recommendations indicated.



Keep bystanders away



Beware of sharp blades –remove spark plug before maintenance



Never refuel while the engine is running



Risk of injury. Do not open or remove safety shields while engine is running.

SAFETY INFORMATION

Warning Symbols On The Machine



Wearing ear protection, eye protection when operating.



Hot surfaces will burn fingers or palms



Warning! The lawnmower exhaust gas contains toxic substances . Do not run the engine in closed or poorly ventialed areas.



Waste electrical products should not be disposed of with household waste. Please recycle where facilities exist. Check your local authority or retailer for recycling advice.

SAFETY INFORMATION

Training

1. Read the instructions carefully. Be familiar with the controls and the proper use of the equipment.
2. Never allow children or people unfamiliar with these instructions to use the lawnmower. Local regulations can restrict the age of the operator.
3. Never mow while people, especially children, or pets are nearby.
4. Keep in mind that the operator or user is responsible for accidents or hazards occurring to other people or their property.

Preparation

1. While mowing, always wear substantial footwear and long trousers. Do not operate the equipment when barefoot or wearing open sandals.
2. Thoroughly inspect the area where the equipment is to be used and remove all objects which can be thrown by the machine.



WARNING!

Gasoline is highly flammable.

3. Warning - gasoline is highly flammable.
 - Store fuel in containers specifically designed for this purpose.
 - Refuel outdoors only and do not smoke while refueling.
 - Add fuel before starting the engine. Never remove the cap of the fuel tank or add gas while the engine is running or when the engine is hot.
 - If fuel is spilled, do not attempt to start the engine but move the machine away from the area of spillage and avoid creating any source of ignition until petrol vapours have dissipated.
 - Replace all fuel tank and container caps securely.
4. Replace faulty silencers.
5. Before using, always visually inspect to see that the blades, blade bolts and cutter assembly are not worn or damaged. Replace worn or damaged blades and bolts in sets to preserve balance.
6. On multi-bladed machines, take care as rotating one blade can cause other blades to rotate.

Operation

1. Do not operate the engine in a confined space where dangerous carbon monoxide fumes can collect.
2. Mow only in daylight or in good artificial light.
3. Avoid operating the equipment in wet grass, where feasible.
4. Always be sure of your footing on slopes.
5. Walk, never run.
6. For wheeled rotary machines, mow across the face of slopes, never up and down.
7. Exercise extreme caution when changing direction on slopes.
8. Do not mow excessively steep slopes.
9. Use extreme caution when reversing or pulling the lawnmower towards you.
10. Stop the blade(s) if the lawnmower has to be tilted for transportation when crossing surfaces other than grass, and when transporting the lawnmower to and from the area to be mowed.

SAFETY INFORMATION

11. Never operate the lawnmower with defective guards, or without safety devices, for example deflectors and/or grass catchers, in place.
12. Do not change the engine governor settings or over speed the engine.
13. Disengage all blade and drive clutches before starting the engine.
14. Start the engine or switch on the motor carefully according to instructions and with feet well away from the blade(s).
15. Do not tilt the lawnmower when starting the engine or switching on the motor, except if the lawnmower has to be tilted for starting. In this case, do not tilt it more than absolutely necessary and lift only the part which is away from the operator.
16. Do not start the engine when standing in front of the discharge chute.
17. Do not put hands or feet near or under rotating parts. Keep clear of the discharge opening at all times.
18. Never pick up or carry a lawnmower while the engine is running.
19. Stop the engine and disconnect the spark plug wire, make sure that all moving parts have come to a complete stop and, where a key is fitted remove the key.
 - Before clearing blockages or unclogging chute.
 - Before checking, cleaning or working on the lawnmower.
 - After striking a foreign object. Inspect the lawnmower for damage and make repairs before restarting and operating the lawnmower.
 - If lawnmower starts to vibrate abnormally (check immediately).
20. Stop the engine and disconnect the spark plug wire, make sure that all moving parts have come to a complete stop and, where a key is fitted remove the key.
 - Whenever you leave the lawnmower.
 - Before refueling.
21. Reduce the throttle setting during engine shut down and if the engine is provided with a shut-off valve, turn the fuel off at the conclusion of mowing.
22. Go slow when using a trailing seat.

Maintenance and storage

1. Keep all nuts, bolts and screws tight to be sure the equipment is in safe working condition.
2. Never store the equipment with gas in the tank inside a building where fumes can reach an open flame or spark.
3. Allow the engine to cool before storing in any enclosure.
4. To reduce the fire hazard, keep the engine, silencer, battery compartment and petrol storage area free of grass, leaves, or excessive grease.
5. Check the grass catcher frequently for wear or deterioration.
6. Replace worn or damaged parts for safety.
7. If the fuel tank has to be drained, this should be done outdoors.

ASSEMBLY

Assembling The Handle

As shown in Fig 3&4

1. Fasten the lower handle to the mower deck by using two bolts and two small knobs on each side. *Fig. 3*
2. Unfold the upper handle and attach it to the lower handle. Secure it by using two bolts and two small knobs. *Fig 4*



NOTE!

Make sure the rope guide is on the right handle, when you stand behind the mower.

Fig 3

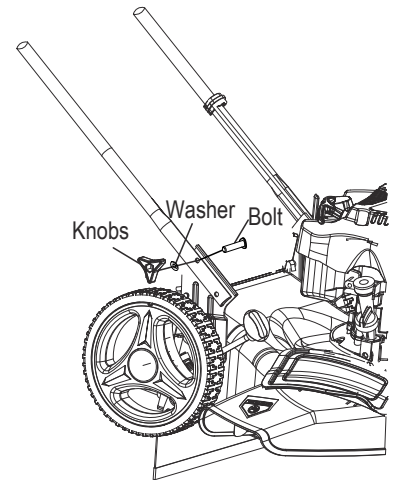


Fig 4

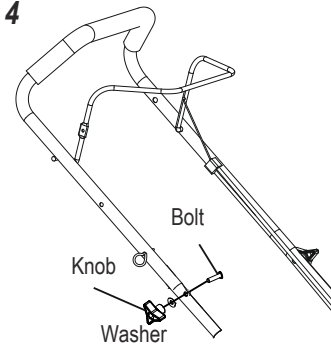
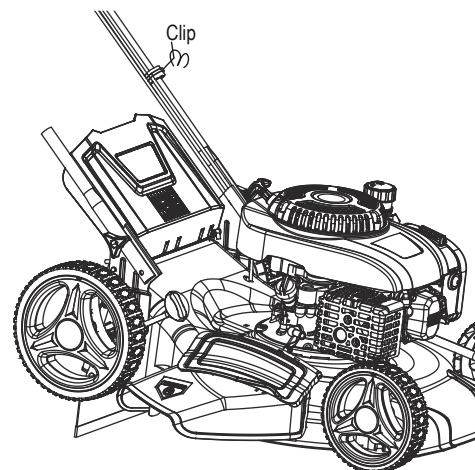


Fig 5



Tidy The Connection Cord

As shown in Fig 5

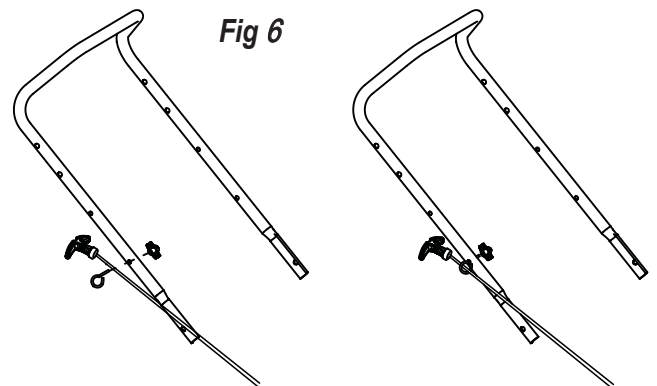
Clip the connection cord to the handle with the cord clip (supplied).

ASSEMBLY

Assembling Pull Start Hook

As shown in Fig 6

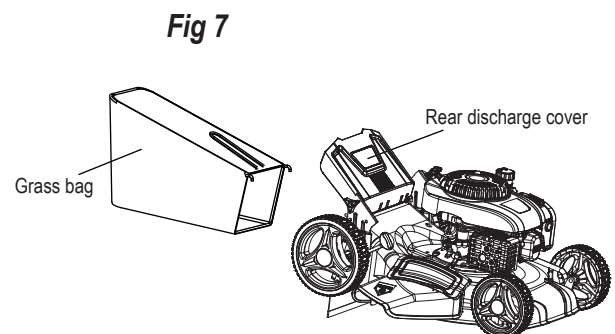
1. Pull the rope through the hook.
2. Insert the hook through the pre-drilled hole on the frame.
3. Secure the hook with the nut.



Assembling The Grass Bag Onto The Mower

As shown in Fig 7

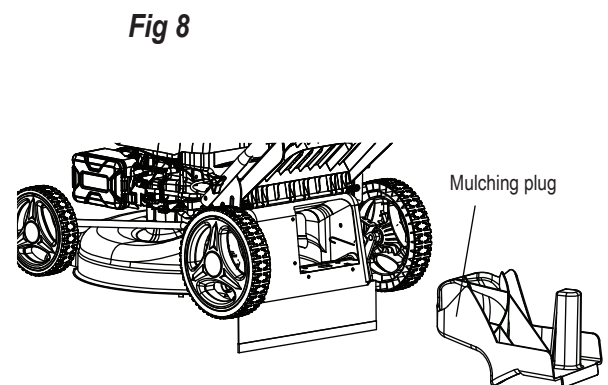
1. Lift the rear discharge cover with one hand and hook in the grass bag .
2. Release the rear discharge cover to secure the grass bag in position



Assembling the mulching plug

As shown in Fig 8

1. Remove the grass bag
2. Push the plastic mulching plug Into the discharge chute until it is locked in place.
3. Then release the flap, it will close back to cover the mulching plug.



Assembling the side discharge chute

As shown in Fig 9

NOTE! When using the side discharge function. You need to first remove the grass bag and plug the mulching plug.

1. Lift the side discharge cover with one hand and hook in the side discharge duct with the other hand.
2. Release the side discharge cover to secure the duct in position.

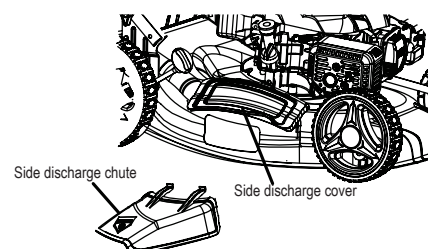


Fig 9

ASSEMBLY

Filling Engine Oil

As shown in Fig 10-13



CAUTION!

The following procedures and adjustments must be performed before the engine is started. Do not attempt to make any of these adjustments while the engine is running.



CAUTION!

To prevent engine damage the engine is shipped without oil or fuel. The engine must be filled with the correct grade of oil and fuel before starting the engine.



NOTE!

Running the engine with a low oil level will cause engine damage. It is recommend that high detergent, premium quality 4-stroke engine oil used. Using non-detergent oil can shorten the engine's service life and using 2-stroke oil will damage the engine.



CAUTION!

Always use high quality detergent oil classified SAE30 oil (or equivalent e. g SAE 10W/30, often termed as 4 Stroke lawn mower oil). Never use additives with recommended oil. To prolong the life of your engine it is important that the oil is changed after the first 5 hours of use.



NOTE!

To Check the engine oil level ,stop engine and place the mower on a level surface.

Fig 10

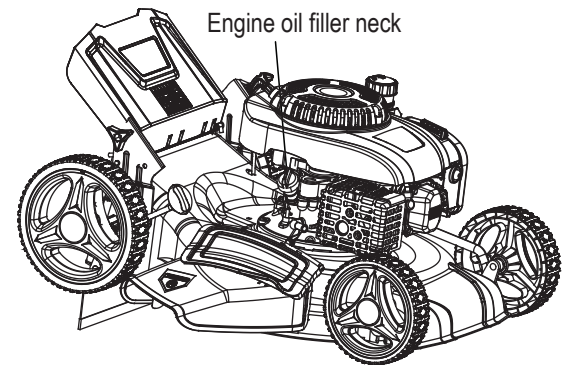


Fig 11

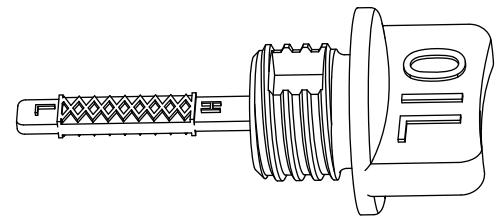
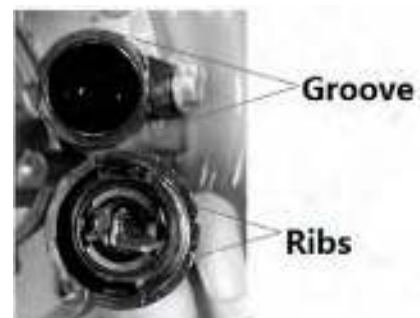


Fig 12



1. Remove the oil filler dipstick and wipe oil from it with a clean cloth.
2. Insert the dipstick into the oil filler neck, but don't turn it.
3. Then remove the dipstick and check the oil level. The oil level must be between the Min. and Max. marks on the dipstick. If near the lower level, fill to upper level with the recommended oil (SAE30 or equivalent). Do not overfill. Wipe away any spilt oil.
4. Align the ribs of the cap with the groove of the filler neck, then rotate 1/4 turn to secure it.

ASSEMBLY

Filling Engine Fuel

As shown in Fig 13

CAUTION! Always use clean, fresh unleaded fuel. Purchase fuel in quantities that can be used within 30 days. Never mix oil with gasoline.

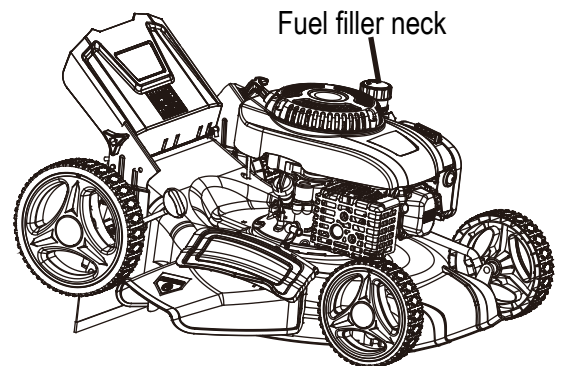
CAUTION! Do not fill into the base of neck to allow for fuel expansion. Do not overfill the fuel tank.

WARNING! GASOLINE is highly flammable and extreme precaution must be taken when handling or working with it. Keep out of reach of children.

CAUTION! To prevent engine damage the engine is shipped without oil or gas. The engine must be filled with the correct grade of oil and gasoline before starting the engine.

WARNING! Refuel in a well-ventilated area with the engine stopped. Do not smoke or allow flame or sparks in the area where the engine is refueled or where gasoline is stored. Avoid repeated or prolonged contact with skin or inhalation of vapor.

Fig 13



1. Clean the area around the gas filler cap before removing the cap. Remove the warning tag, check the fuel level.
2. Refill the tank if the fuel level is low.
3. Refuel carefully to avoid overfilling or spilling fuel. There should be no fuel in the filler neck.
4. Clean up any overflow or splashes of fuel before starting the engine.
5. Tighten the filler cap after filling.

ADJUSTMENT

Setting The Cutting Height

As shown in Fig 14

CAUTION! Adjust the cutting height only when the engine is shut off and the spark plug boot has been pulled.

The cutting height is centrally adjusted with the cutting height adjusting handle. Different cutting heights can be selected.

Pull the adjusting handle out and select the desired cutting height. The handle snaps into the desired position.

From position 1 to position 7.

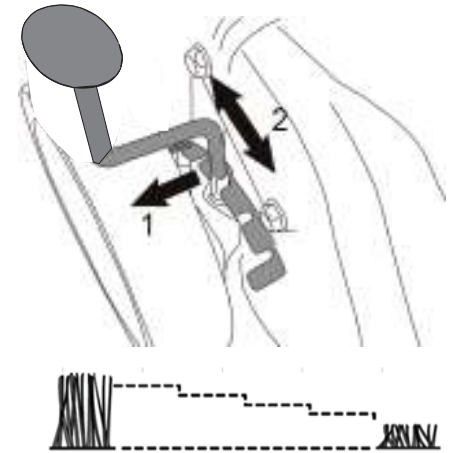
Setting Required Function

CAUTION! This lawn mower has three functions. These functions can be converted by changing accessory setting. Please see the following chart for detail setting.

TO CONVERT MOWER	MULCHING PLUG	GRASS BAG	SIDE DISCHARGE
For rear bagging	x	√	x
For mulching	√	x	x
For side discharging	√	x	√

“√”: installed “x”: removed


Fig 14




OPERATION

Starting and Stopping The Engine

 **WARNING!** The blade begins to rotate as soon as the engine is started.


 **WARNING!** Do not operate the machine in enclosed or poorly ventilated areas as the exhaust gas contains toxic substance. Keep hands, feet, and clothing away from all the moving parts of the machine. The exhaust and other parts of the machine will become hot during use. Make sure that the blade is securely fastened before starting the engine.

 **NOTE!** To start the engine, make sure that the spark plug boot is located on the plug and the machine is filled with sufficient oil and fuel.

To Start The Engine

As shown in Fig 15-16

1. When starting a cold engine, press down the primer fully 3-5 times.

 **WARNING!** **WARNING!** Pressing the primer bulb too many times may cause the engine to flood. When starting a warm engine, the primer does not need to be used. If the engine stops due to a lack of fuel, refill and press down the primer 3 to 5 times.

2. Stand behind the mower. Pull the engine Start/Stop lever toward upper handle with one hand and place the other hand on the pull start.

3. Pull the pull start out approx. 4-6 inches until you feel a resistance and then start the engine with a sharp pull.


 **NOTE!** If the engine fails to start after three pulls, repeat the process .

Fig 15

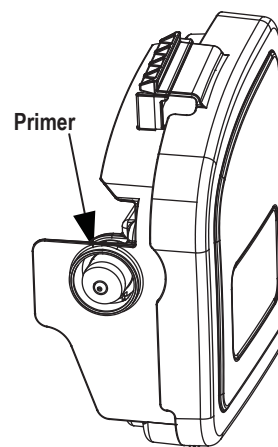
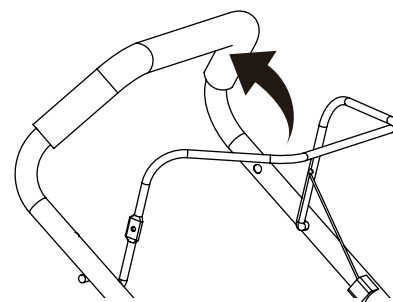


Fig 16



OPERATION

4. Once the engine is running, put the starter rope into the rope guide. As shown in Fig 17

Stopping The Engine

As shown in Fig 18

Releasing the engine start/stop lever will shut the engine off.

To Clean A Flooded Engine

NOTE! If the engine won't start after you have pulled the starter several times, the engine may be flood with excess fuel. Use following procedure to clear and start a flooded engine.

1. Release the engine start/stop lever to stop engine.
2. Remove the spark plug, dry it, and then reinstall it.

NOTE! Install the spark plug carefully by hand, to avoid cross-threading. After the plug is seated tighten 1/8 to 1/4 turn with socket spanner of spark plug to compress the washer.

3. Pull the engine start/stop lever toward upper handle.
4. Operate the pull start as described above.

Fig 17

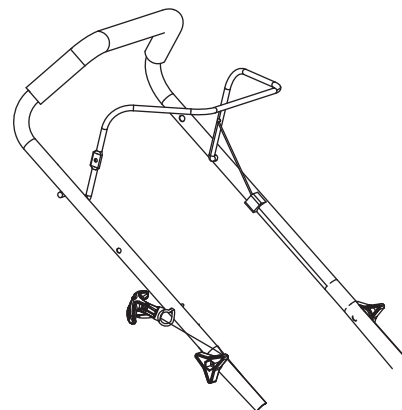
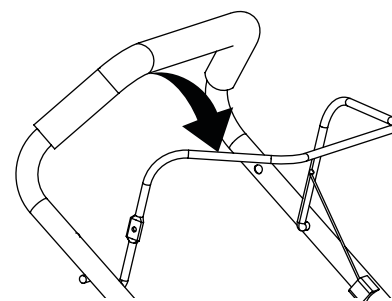


Fig 18



OPERATION

Mowing



WARNING!

Always observe the strictest safety procedures when using the lawnmower. Carefully read the safety instructions of this manual before using the lawnmower.



WARNING!

Never open the ejector flap when the grass bag has been detached (to be emptied) and the engine is still running. The rotating blade can cause serious injuries!

1. Select your required setting.
2. Start the engine and allow it run for a minute or 2.
3. Keep a firm grip on the upper handle with engine stop/start lever and walk along with it to start mowing.

Working Advices

As soon as grass clippings start to trail the lawn mower, it is time to empty the grass bag.



NOTE!

Before taking off the grass bag, switch off the engine and wait until the blade has come to a stop.

1. To take off the grass bag, use one hand to lift up ejector flap and the other to grab onto the carry handle. The ejector flap automatically falls down after removing the grass bag and closes off the rear chute opening.
2. Empty the grass debris in the grass bag, and refit grass Bag.



NOTE!

If any grass residue is caught in the discharge chute, clean it using a brush. Do not remove grass debris in the mower casing or on the blade by hand or with your feet.

Instead use suitable tools such as a brush or broom. To ensure that the cut grass can be collected into a grass bag, the discharge opening and inside the mower casing must be cleared of any blockage.

High Altitude Operation

If operating lawn mower regularly at altitudes over 5,000 feet, the carburetor's air-fuel mixture will be too rich and emissions may increase. On engines not built for the United States the carburetor can be adjusted to operate under this condition. The carburetor should be returned to its normal setting if regular operation is less than 5,000 feet. Contact your service center to modify the carburetor.

STORING AND MAINTENANCE

Cleaning



WARNING!

Before performing any maintenance or cleaning work, switch Off the engine and wait until the blade has come to a stop.

General Cleaning

The lawnmower should be cleaned thoroughly every time after it has been used. Always clean your lawnmower immediately after use. Do not allow grass cuttings and other debris to become dry and hard on any of the mower surfaces. Dried grass remnants and dirt may impair the mowing operation.

Check that the grass chute is free of any residual grass. Remove any such residue. Check the underside of the lawn mower and the blade mount . Tilt the lawn mower onto its left side (opposite the oil filler neck)



NOTE!

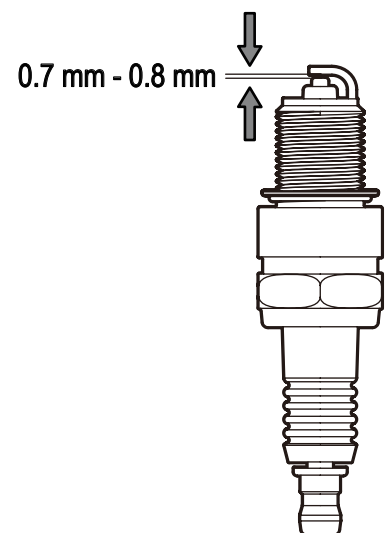
Before placing the lawnmower on its side , fully drain the fuel tank using a fuel extraction pump.

Do not tilt the lawnmower by more than 90 degrees.

Maintenance Of The Spark Plug

1. Once the engine has cooled, pull off the spark plug with a twist.
2. Remove the spark plug using a spark plug wrench.
3. Clean the spark plug with a wire brush (not supplied).
4. Using a feeler gauge set the gap to 0.75mm.
5. Install the spark plug carefully by hand, to avoid cross-threading.
6. After the spark plug is seated, tighten with the spanner to compress the washer.

Fig 19



STORING AND MAINTENANCE

How to Service the Air Filter

As shown in Fig 20

Soiled air filters reduce the engine output by supplying too little air to the carburetor. If the air contains a lot of dust, the air filter should be checked more frequently .



WARNING!

Never run the engine without the air filter element installed.

1. Remove the air cleaner outside cover. Be careful to prevent dirt and debris from falling into the air cleaner assembly.
2. Separate the Air Filter from the Air Filter Housing .
3. Inspect the air filter. Clean dirty air filter with warm water and mild soap. Allow air filter to dry thoroughly before re-installation
4. Install the air filter assembly onto the carburetor and secure with screw.

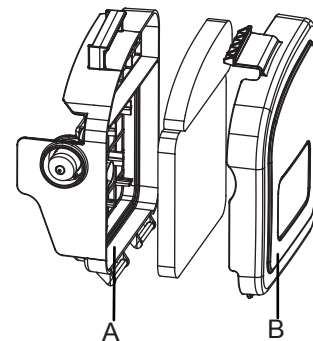


Fig 20



NOTE!

Do not use pressurized air or solvents to clean the filter. Pressurized air can damage the filter and solvents will dissolve the filter.

Changing The Engine Oil

Tilt the lawn mower towards the oil filler, have a container ready to catch the oil and remove the dipstick. Once the oil has been emptied, replace the dipstick and wipe clean any spillages.

Refill with 17 oz./500ml SAE30 oil or equivalent i. e SAE5W/30, SAE10W/30. When the dipstick is rested on the filler pipe (i. e . not turn in pace), the oil level must be between the min. and max. marks on the dipstick.

See “Checking the engine oil level and filling with engine oil ”

Start the engine and allow it to run briefly.

Stop the engine, wait one minute and check the oil level. Top up if necessary .

STORING AND MAINTENANCE

Replacing The Blade

For safety reasons you should only ever have your blade sharpened, balanced and mounted by an authorised service workshop. For optimum results it is recommended that the blade should be inspected once a year.

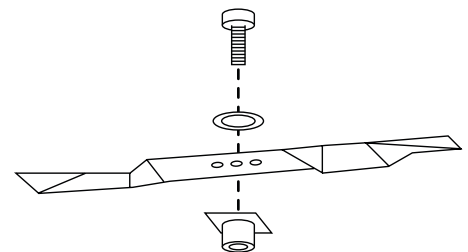
- WARNING!** Before you remove the grass collection bag, stop the engine and wait until the blade stops completely.
- WARNING!** You will need garden gloves (not provided) and a spanner wrench(not provided) to remove the blade.
- NOTE!** Don't invert the mower. Tip it slightly towards the oil filler pipe and reach under the deck.
- WARNING!** Always handle the blade with care, sharp edges could cause injury **USE GLOVES**. Renew your metal blade after 50Hrs mowing or 2yrs whichever is sooner regardless of condition.
- WARNING!** If the blade is cracked or damaged replace it with a new one.
- WARNING!** Don't hold the blade with your bare hand.
- NOTE!** Maintain the sharpness of the blade when cutting grass. If the blade is worn, pitted and blunt, it should be replaced or sharpened. The sharpness of the blade will affect the performance of the lawnmower.

For safety reasons we recommend that the blade only be changed by someone qualified and authorized to do so.

Hold the blade and unscrew the blade bolt counterclockwise using a spanner wrench. Remove the washer and the blade.

Fit a new blade or re-sharpen the blade, locate the blade on the two studs on the blade flange and then replace the washer and bolts. Make sure the blade is correctly located, and then firmly tighten the bolt. Do not over tighten. The up turn of the blade must project into the motor compartment.

Fig 21



STORING AND MAINTENANCE

Storing the Lawnmower for Short Periods

The lawnmower can be stored for short periods of time (less than 15 days) without performing any storage maintenance. Before placing the lawnmower into storage always carry out the following:

1. Allow the engine to fully cool.
2. Ensure the grass bag is empty.
3. Clean all debris from under the mower deck.
4. Store the lawnmower on flat and level surface with the mower upright.
5. Store in a safe place which is not accessible by children or people who are not familiar with operation.

Storing the Lawnmower for Extended Periods

If the lawnmower is to be placed into storage for more than 15 days, storage maintenance must be performed on the lawnmower. If the following steps are not carried out, when you next operate the lawnmower it may not start correctly and may need to be serviced.



CAUTION!

Do not empty the fuel tank in enclosed areas, near fire or when smoking. Gasoline fumes can cause explosions and fire.

1. Empty the gas tank with a gasoline suction pump if available.
2. Start the engine and let it run until any remaining gasoline has been used up.
3. Change the oil at the end of every season. To do so, remove the used engine oil from a warm engine and refill with fresh oil.
4. Clean the cooling fins of the cylinder and the housing
5. Be sure to clean the entire machine to protect the paint.
6. Store the machine in a well-ventilated place.

STORING AND MAINTENANCE

Maintenance Schedule

Performing routine maintenance correctly on your lawnmower will ensure you get years of trouble free use.

Please keep this manual safe for future reference.

It is recommended that the following maintenance schedule is adhered to. This will ensure the lawnmower operated correctly and is safe to use.

	12 HOURS OF USE	24 HOURS OF USE	36 HOURS OF USE
Air Filter	Clean	Clean	Replace
Spark Plug	Check	Clean	Replace
Engine Oil	Check	Replace	Check

The Engine oil should be changed after the first 8 hours.

Transport

Empty the gas tank.

Always let the engine run until it has used up the remainder of gas in the tank.

Empty the engine oil from the warm engine.

Remove the spark plug boot from the spark plug.

Clean the cooling fins of the cylinder and the housing.

Use the original packaging to ship whenever possible.

TROUBLESHOOTING



WARNING!

Before performing any maintenance or cleaning work, switch off the engine and wait until the blade has come to a stop.



CAUTION!

Improper repairs can result in the product functioning unsafely. This may endanger yourself and other.

Problems which cannot be fixed with the aid of following table may be fixed by a qualified service center. Please call 1-866-591-8921 for the nearest service center in your area.

Please be aware that any improper repairs will also invalidate the warranty and additional costs may be incurred.

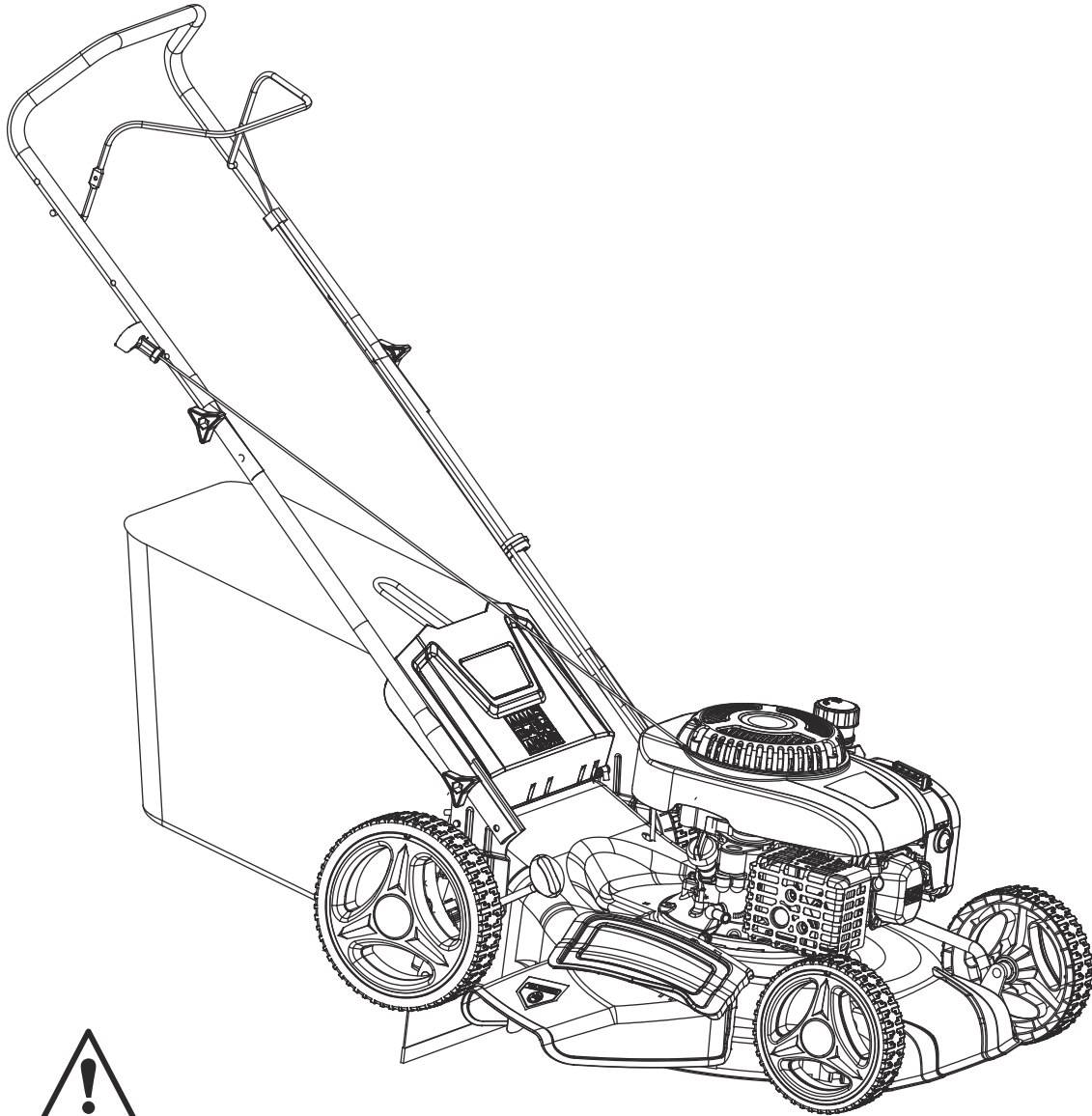
Use only genuine spare parts. Only these spare parts are designed and suitable for the product. The use of other spare parts not only voids the warranty, you can also endanger yourself and others.

FAULT/MALFUNCTION	CAUSE	SOLUTION
Loud while running, machine vibrates heavily	Screws are loose Blade fasteners are loose Blade is unbalanced	Check screws Check blade fasteners Replace blade
Engine does not start	Start/stop lever not pressed Spark plug is defective Fuel tank is empty Engine may be flooded	Replace spark plug Call customer service center Refill with fuel Remove plug and dry
Engine runs unsteadily	Air filter is soiled Spark plug is soiled	Clean the air filter Clean the spark plug
Uneven mowing results	Blade is blunt Cutting height is too low	Sharpen the blade Set correct height
Grass bag is not filled	Blade is worn Grass bag is clogged Cutting height is right? The lawn / grass is wet ? Does the discharge channel/ housing blocked ? Does underside of the mower deck have been clogged?	Replace the blade Empty the grass bag Correct the cutting height Allow the lawn to dry Clean the discharge channel/ housing Clean the underside of the mower deck



Modelo# PTG1221A2

Cortacésped MANUAL DEL USUARIO



Advertencia: el escape del motor de este producto contiene sustancias químicas conocidas en el estado de California que pueden causar cáncer, defectos de nacimiento u otros daños reproductivos.

INTRODUCCIÓN

Gracias por comprar este cortacésped de calidad superior de Pulsar Products Inc. Al usar y mantener este producto como se indica en este manual, el cortacésped le ofrecerá muchos años de servicio confiable.

El sistema de control de emisiones de *el cortacésped* cumple con todas las normas establecidas por la Agencia de Protección Ambiental.

Para ponerse en contacto con nosotros:

Puede ponerse en contacto con nosotros por teléfono al 1.866.591.8921 o por correo electrónico en support@pulsar-products.com.

PULSAR PRODUCTS INC
5721 E. Santa Ana St.
Ontario, CA 91761
1-866-591-8921

Tome nota de la información siguiente al ponerse en contacto con nosotros para recibir servicio o asistencia bajo garantía.

Fecha de la compra:	
Número de modelo:	
Número de serie:	



GUARDE ESTE MANUAL PARA FUTURAS REFERENCIAS

Este manual contiene información importante sobre seguridad, operación y mantenimiento.

CONTENIDO

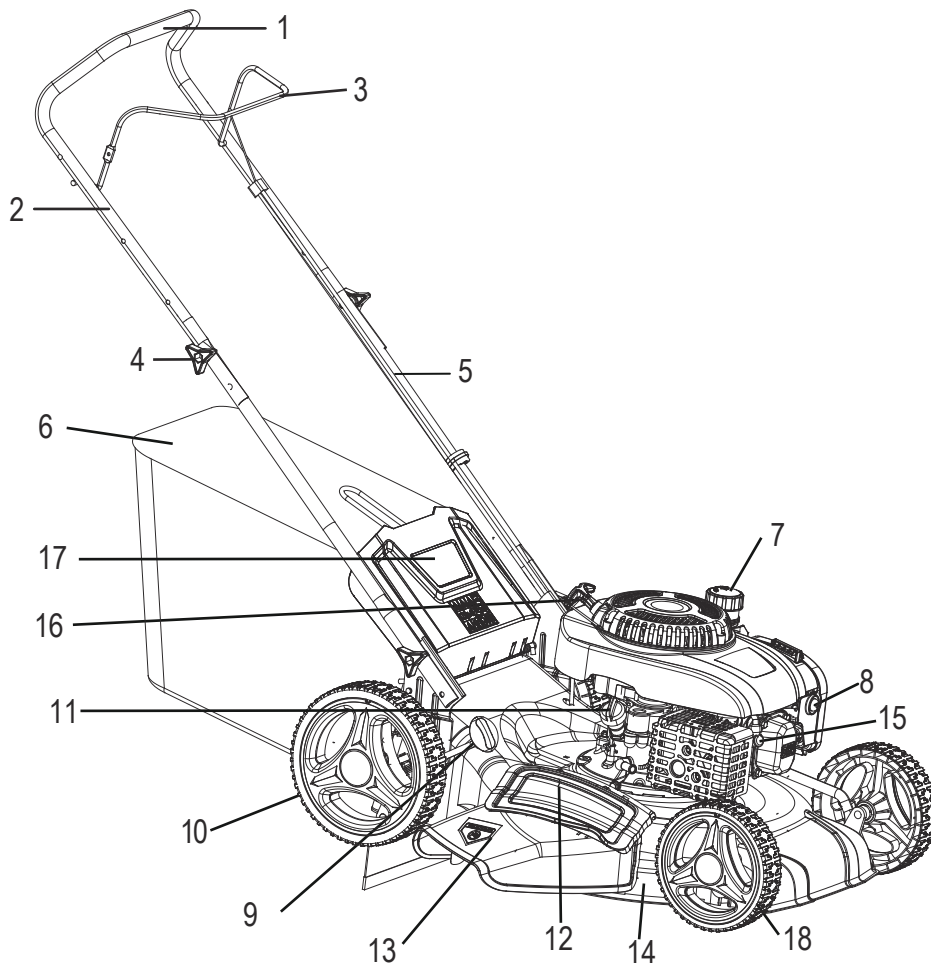
Descripción de las Partes del Producto	3
Especificaciones Técnicas.....	5
Uso Previsto	6
Información de Seguridad.....	7
Ensamblaje.....	11
Ajuste.....	15
Funcionamiento.....	16
Almacenamiento y Mantenimiento.....	19
Solución de Problemas.....	24

DESCRIPTION OF PRODUCT PARTS

Como se Muestra en la figura 1

- | | | | |
|----|---|-----|---------------------------|
| 1. | Agarre suave | 10. | Rueda trasera |
| 2. | Asa superior | 11. | Tapa de aceite del motor |
| 3. | Palanca de freno / palanca de parada | 12. | Tapa de descarga lateral |
| 4. | Botón de bloqueo con perno de cuello cuadrado | 13. | Canal de descarga lateral |
| 5. | Asa inferior | 14. | Cubierta |
| 6. | Bolsa de cesped | 15. | Arranque de bujia |
| 7. | Tapón del depósito de combustible | 16. | Comienzo manual |
| 8. | Cebador | 17. | Tapa de descarga trasera |
| 9. | Asa de ajuste de altura | 18. | Rueda delantera |

Fig 1



DESCRIPCION DE LAS PARTES DEL PRODUCTO

Como se muestra en la figura 2

Retire con cuidado la máquina de su caja y compruebe que las siguientes piezas estén completas:

- A. Cubierta del cortacésped principal (con el mango superior y el mango inferior) 1pc
- B. Clip de cable 1pc
- C. Montaje de bolsa de cesped
- D. Descarga lateral 1pc
- E. Manual 1pc
- F. Pomo grande con tornillo M6 2 pc
- G. Pomo pequeño con perno M6 2 pc
- H. Llave para bujías 1pc
- I. Enchufe plástico 1pc (dentro del cortacésped)

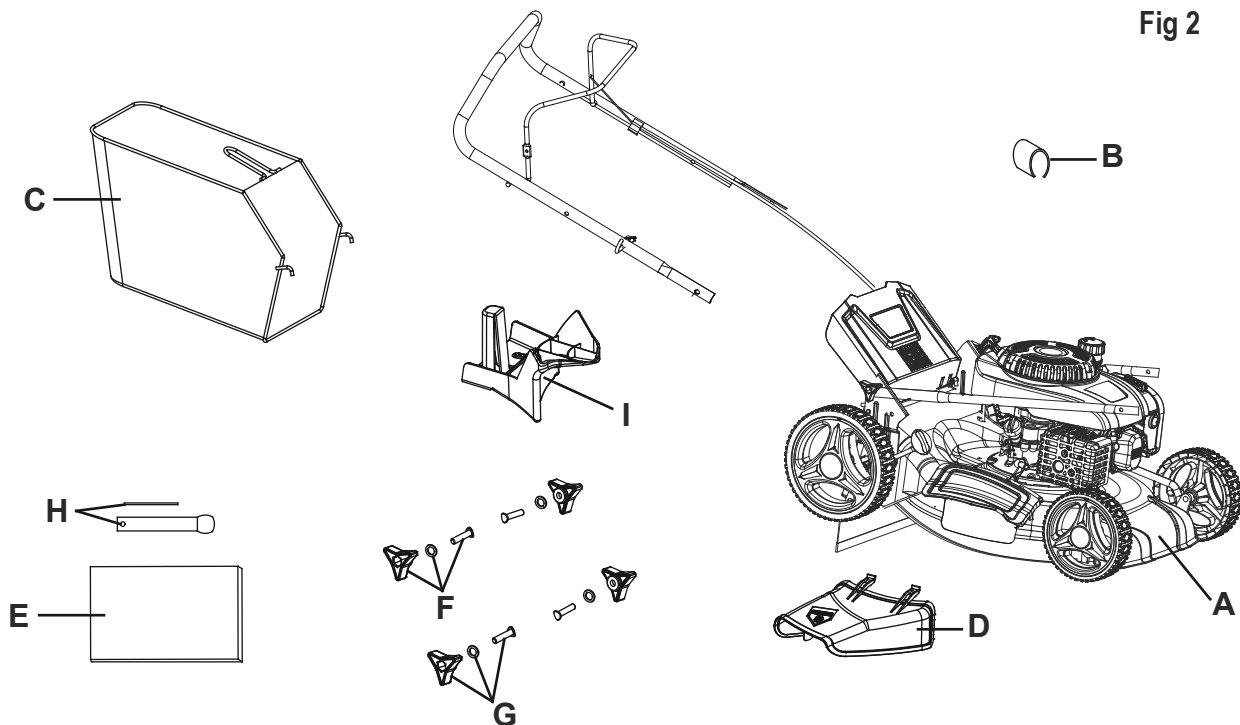


Fig 2



¡ADVERTENCIA!

Si alguna pieza está dañada o falta, no opere esta herramienta hasta que las partes faltantes estén reemplazado. Si no se toma en cuenta esta advertencia, se pueden producir lesiones personales graves.



NOTA

NOTA! Recicle siempre el embalaje de acuerdo con las leyes locales de reciclaje.



¡ADVERTENCIA!

Este artículo requiere dos personas para retirar la maquina de la caja. Asegúrate de que tienes espacio suficiente para bajar el cortacésped. Mantenga sus pies separados para que tenga un establo colóquese, doble las rodillas y mantenga la espalda recta.

ESPECIFICACIONES TÉCNICAS

Tipo de Motor	Cilindro simple de 4 tiempos
Desplazamiento del motor	200 CC
Poder del Motor	3.8KW
La velocidad del motor	2800 RPM
Corte	21 Inches/530mm
Capacidad de la bolsa de hierba	17.2 Galon/65L
Ignición	T.C.I
Depósito de combustible	0.4 Galones/1.5L
Tanque de aceite	0.5 Quarts/0.5L
Peso neto	60lbs/27.2KG
Datos de vibración	
Medir el valor de emisión de vibración	6.1m/s ²
Incertidumbre	1.5m/s ²

USO PREVISTO

Esta cortadora de césped a gas ha sido diseñada para cortar áreas de césped en casas privadas y jardines de pasatiempos.

La máquina debe ser utilizada únicamente para su propósito prescrito. Cualquier otro uso se considera un caso de mal uso. El usuario / operador y no el fabricante será responsable por cualquier daño o lesión de cualquier tipo causado como resultado de esto.

Tenga en cuenta que nuestros equipos no han sido diseñados para su uso en aplicaciones comerciales, comerciales o industriales. Nuestra garantía sera anulada si la máquina se utiliza en negocios comerciales, industriales o para fines equivalentes.

INFORMACIÓN DE SEGURIDAD

IMPORTANTE

Lea estas instrucciones completamente antes de ensamblar y operar.

Descripción de los símbolos

Los símbolos se utilizan en este manual para atraer su atención a posibles riesgos. Los símbolos de seguridad y las implicaciones que los acompañan hay que entenderlos perfectamente. La advertencia en sí misma no previene los riesgos y no puede ser una sustituto de los métodos adecuados para evitar accidentes.

Símbolos de advertencia en la máquina



ADVERTENCIA: para reducir el riesgo de lesiones, el usuario debe leer el manual de instrucciones.



Este símbolo, antes de un comentario de seguridad, indica una precaución, una advertencia o un peligro. Ignorando la advertencia puede provocar un accidente para usted o para otros. Para limitar el riesgo de lesiones, incendio o electrocución siempre aplique las recomendaciones indicadas.



Mantener alejados



Tenga cuidado con las navajas filosas: retire la bujía antes del mantenimiento



Nunca cargue combustible mientras el motor esté funcionando



Riesgo de lesiones. No abra ni quite los escudos de seguridad mientras el motor está en marcha.

INFORMACIÓN DE SEGURIDAD

Símbolos de advertencia en la máquina



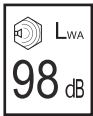
Usar protección auditiva, protección ocular durante el funcionamiento.



Las superficies calientes queman los dedos o las palmas.



¡Advertencia! El gas de escape del cortacésped contiene sustancias tóxicas. No haga funcionar el motor en cerrado o zonas mal ventiladas.



Nivel de potencia de sonido garantizado



Cumple con las normas de seguridad pertinentes.



Los productos eléctricos de desecho no deben desecharse con la basura doméstica. Por favor recicla donde existen instalaciones. Consulte a su autoridad local o minorista para obtener consejos de reciclaje.

INFORMACIÓN DE SEGURIDAD

Entrenamiento

1. Lea las instrucciones cuidadosamente. Familiarícese con los controles y el uso adecuado del equipo.
2. Nunca permita que niños o personas que no estén familiarizadas con estas instrucciones utilicen el cortacésped. Las regulaciones locales pueden restringir la edad del operador.
3. Nunca corte el césped cuando haya personas cerca, especialmente niños o mascotas.
4. Tenga en cuenta que el operador o usuario es responsable de los accidentes o peligros que ocurran a otras personas o sus bienes.

Preparación

1. Durante la corte, siempre use zapatos de trabajo y pantalones largos. No opere el equipo descalzo o llevando sandalias abiertas.
2. Inspeccione el área donde se va a usar el equipo y retire todos los objetos que pueda arrojar el máquina.



¡ADVERTENCIA!

La gasolina es altamente inflamable.

3. Advertencia: la gasolina es altamente inflamable.
 - Almacene el combustible en recipientes específicamente diseñados para este propósito.
 - Reposte combustible solo al aire libre y no fume mientras agregue combustible.
 - Añadir combustible antes de arrancar el motor. Nunca quite la tapa del tanque de combustible ni agregue gasolina mientras el motor está funcionando o cuando el motor está caliente.
 - Si se derrama combustible, no intente arrancar el motor, aleje la máquina del área del derrame y evite creando cualquier fuente de ignición hasta que los vapores de gasolina se hayan disipado.
 - Reemplace todas las tapas del tanque de combustible y del contenedor de manera segura.
4. Reemplace los silenciadores defectuosos.
5. Antes de usar, siempre inspeccione visualmente que las cuchillas, los pernos de la cuchilla y el conjunto del cortador no estén desgastados o dañados. Reemplace las cuchillas y los pernos desgastados o dañados en conjunto para preservar el equilibrio.

Funcionamiento

1. No haga funcionar el motor en un espacio confinado donde puedan acumularse humos peligrosos de monóxido de carbono.
2. Corte el césped solo a la luz del día o con buena luz artificial.
3. Evite operar el equipo en césped húmedo, cuando sea posible.
4. Siempre asegúrate de estar en las pendientes.
5. Camina, nunca corras.
6. Para máquinas rotativas con ruedas, corte la cara de las pendientes, nunca hacia arriba y hacia abajo.
7. Tenga mucho cuidado al cambiar de dirección en las pendientes.
8. No corte las pendientes excesivamente pronunciadas.
9. Tenga mucho cuidado al invertir o tirar del cortacésped hacia usted.
10. Detenga la (s) cuchilla (s) si tiene que inclinar el cortacésped para transportarlo cuando cruce superficies que no sean hierba, y al transportar el cortacésped hacia y desde el área a cortar.

INFORMACIÓN DE SEGURIDAD

11. Nunca opere el cortacésped con protecciones defectuosas o sin dispositivos de seguridad, por ejemplo, deflectores y / o césped receptores, en su lugar.
12. No cambie la configuración del regulador del motor ni acelere demasiado el motor.
13. Desenganche todos los embragues de la cuchilla y la unidad antes de arrancar el motor.
14. Arranque el motor o enciéndalo con cuidado de acuerdo con las instrucciones y con los pies bien alejados de la (s) cuchilla (s).
15. No incline el cortacésped al arrancar el motor o al encenderlo, excepto si el cortacésped tiene que estar inclinado para empezar. En este caso, no la incline más de lo absolutamente necesario y levante solo la parte que está lejos de la operador.
16. No arranque el motor cuando esté parado frente al conducto de descarga.
17. No ponga las manos o los pies cerca o debajo de las piezas giratorias. Manténgase alejado de la abertura de descarga en todo momento.
18. Nunca levante o lleve un cortacésped mientras el motor esté en marcha.
19. Detenga el motor y desconecte el cable de la bujía, asegúrese de que todas las partes móviles se hayan detenido por completo y, donde se coloca una llave, retire la llave.
 - Antes de eliminar los bloqueos o desatascar el canal.
 - Antes de revisar, limpiar o trabajar en el cortacésped.
 - Después de golpear un objeto extraño. Inspeccione el cortacésped en busca de daños y haga reparaciones antes de volver a encenderlo y operando el cortacésped.
 - Si el cortacésped comienza a vibrar de manera anormal (apague la maquina verifique de inmediato).
20. Pare el motor y desconecte el cable de la bujía, asegúrese de que todas las partes móviles se hayan detenido por completo donde se coloca una llave, retire la llave.
 - Cada vez que salga del cortacésped.
 - Antes de agregar gasolina.
21. Reduzca el ajuste del acelerador durante el apagado del motor y si el motor tiene una válvula de cierre, apague el combustible al finalizar el corte de sacate.

Mantenimiento y almacenaje

1. Mantenga todas las tuercas, pernos y tornillos apretados para asegurarse de que el equipo se encuentre en buenas condiciones de funcionamiento.
2. Nunca almacene el equipo con gas en el tanque dentro de un edificio donde los vapores puedan alcanzar una llama abierta o una chispa.
3. Deje que el motor se enfríe antes de guardarlo.
4. Para reducir el riesgo de incendio, mantenga el césped, el silenciador y el área de almacenamiento de gasolina libres de hierba, hojas, o exceso de grasa.
5. Revise el recolector de césped con frecuencia para ver si está desgastado o deteriorado.
6. Reemplace las piezas desgastadas o dañadas.
7. Si se debe drenar el tanque de combustible, esto debe hacerse al aire libre.

ENSAMBLAJE

Ensamblaje del mango

Como se muestra en Fig 3&4

1. Sujete la manija inferior al dispositivo usando dos pernos y dos perillas pequeñas en cada lado.
2. Despliegue la manija superior y fijela a la manija inferior usando las grandes perillas y las manchas en cada lado.

Fig 3

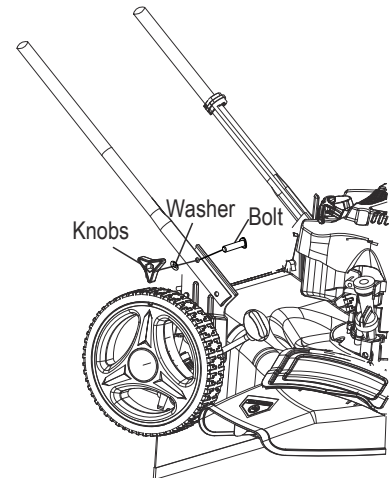
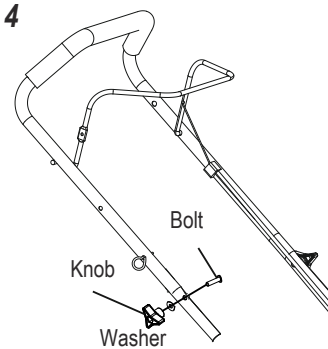


Fig 4

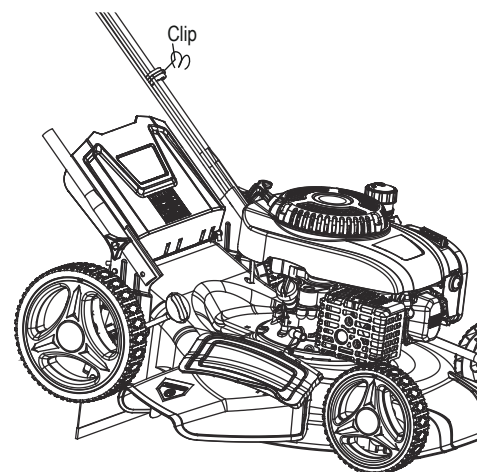



Poner en orden el cable de conexión

Como se muestra en Fig 5

Fije el cable de conexión al mango.
Con el clip de cable. (Suministrado)

Fig 5



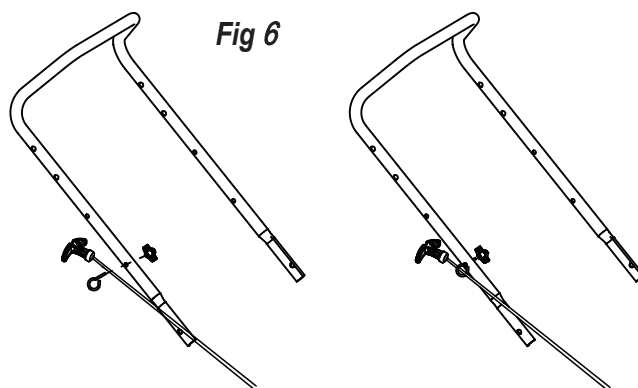
 **¡NOTA!** Asegúrese de que la guía de la cuerda esté a la derecha cuando estés parado detrás del cortacésped.

ENSAMBLAJE

Ensamblaje del gancho de arranque

Como se muestra en Fig 6

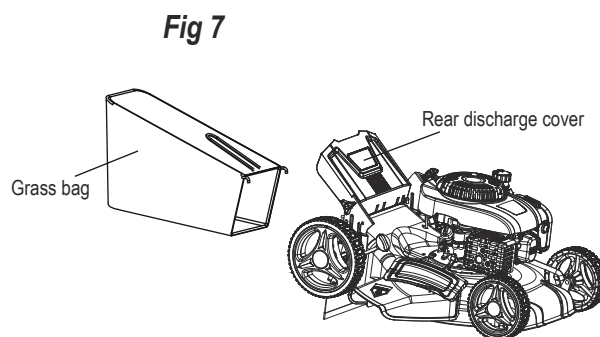
1. Estire la cuerda a través del gancho.
2. Inserte el gancho a través del orificio pretaladrado en el marco.
3. Asegure el gancho con la tuerca.



Ensamblaje de la bolsa de hierba en el cortacésped

Como se muestra en Fig 7

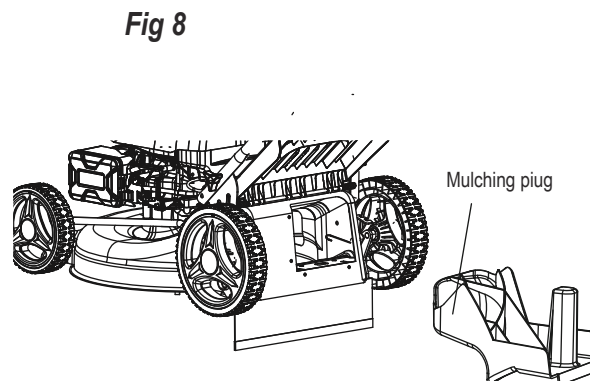
1. Levante la tapa de descarga trasera con una mano y enganche en la bolsa de hierba.
2. Suelte la tapa de descarga trasera para asegurar la bolsa de hierba en posición



Ensamblaje el tapon de mulching

Como se muestra en Fig 8

1. Retire la bolsa de hierba
2. Empuje el tapón de mulching de plástico en el conducto de descarga hasta que se trabe en su lugar.
3. Luego suelte la tapa, se cerrará hacia atrás para cubrir el tapón de mulching.



Ensamblaje de descarga lateral

Como se muestra en Fig 9

¡NOTA! Cuando se utiliza la función de descarga lateral necesitas quitar primero la bolsa de hierba y enchufe el tapón de mulching.

1. Levante la cubierta de descarga lateral con una mano y enganche en el lado conducto de descarga con la otra mano.

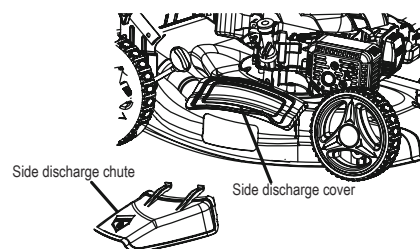


Fig 9

2. Suelte la cubierta de descarga lateral para asegurar el conducto en su posición.

ENSAMBLAJE

Agregando aceite de motor

Como se muestra en Fig 10 -13



¡PRECAUCIÓN!

Los siguientes procedimientos y los ajustes deben realizarse antes de arrancar el motor. No intente hacer ninguno de estos Ajustes mientras el motor está en marcha.



¡PRECAUCIÓN!

Para evitar daños en el motor el motor se envía sin aceite ni combustible. El motor debe estar lleno con el grado correcto de aceite y combustible antes de arrancar el motor.



¡NOTA!

Funcionamiento del motor con bajo nivel de aceite causará daños en el motor. Se recomienda que el aceite de alta calidad, de 4 tiempos es utilizado. El uso de aceite menos calidad puede acortar la vida del motor y el uso de aceite de 2 tiempos dañará el motor.



¡PRECAUCIÓN!

Siempre use aceite de alta calidad clasificado como aceite de SAE30 (o equivalente, por ejemplo, SAE 10W / 30, a menudo denominado aceite de cortacésped de 4 tiempos). Nunca use aditivos con el aceite recomendado. Para prolongar la vida del motor es importante que el aceite se cambie después de la Primeras 5 horas de uso.



¡NOTA!

Para verificar el nivel de aceite del motor, detenga el motor y coloque el cortacésped en una superficie nivelada.

Fig 10

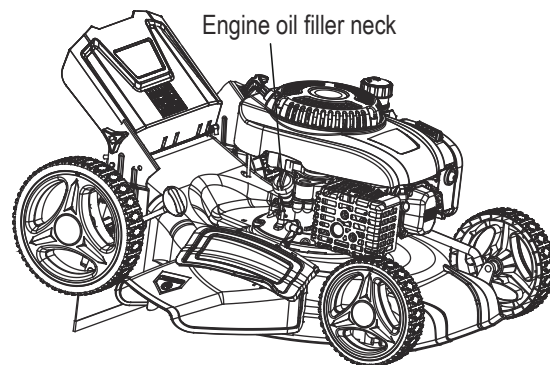


Fig 11

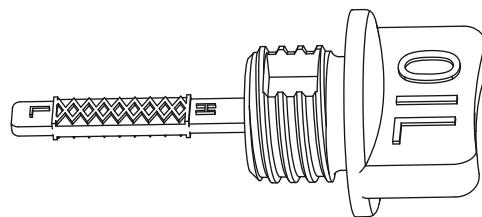
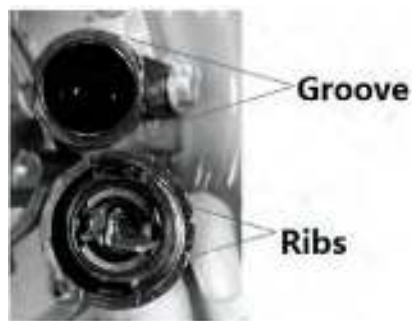


Fig 12



1. Retire la varilla medidora de llenado de aceite y limpie el aceite con un paño limpio.
2. Inserte la varilla medidora en el cuello de llenado de aceite, pero no la gire.
3. Luego retire la varilla y compruebe el nivel de aceite. El nivel de aceite debe estar entre las marcas Mín y Máx. varilla graduada. Si está cerca del nivel inferior, llene la palanca superior con el aceite recomendado (SAE30 o equivalente). No llene demasiado. Limpie cualquier aceite derramado.
4. Alinee la tapa con la ranura del cuello de llenado, luego gire 1/4 de vuelta para asegurarlo.

ENSAMBLAJE

Llenando el combustible del motor

Como se muestra en Fig 13

Fig 13

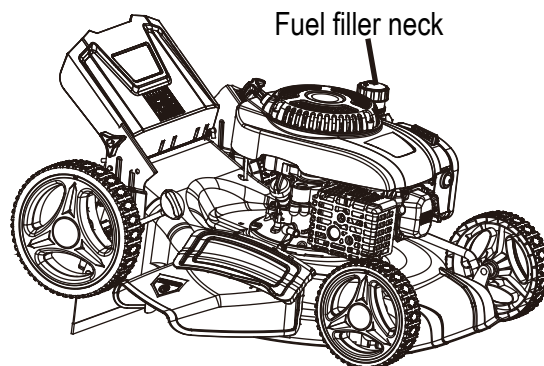
¡PRECAUCIÓN! Siempre use combustible limpio, fresco y sin plomo. Compre combustible en cantidades que se pueden usar dentro de 30 días. Nunca mezcle aceite con gasolina.

¡PRECAUCIÓN! No rellenar en la base del cuello que puede permitir la expansión del combustible.
No llene en exceso el tanque de combustible.

¡ADVERTENCIA! GASOLINA es altamente inflamable y precaución extrema se debe tomar.
Mantenga fuera del alcance de los niños.

¡PRECAUCIÓN! Para evitar daños en el motor, el motor no tiene petróleo ni gas. El motor debe llenarse con el grado correcto de aceite y gasolina antes de arrancando el motor.

¡ADVERTENCIA! Agregu gasolina en un lugar bien ventilada con el motor parado. No fume ni permita llamas o chispas en el área donde el motor tiene combustible o donde se almacena la gasolina. Evite el contacto repetido o prolongado con su piel o inhalación de vapor.



1. Limpie el área alrededor de la tapa de llenado de gas antes de quitar la tapa. Retire la etiqueta de advertencia, compruebe el nivel de combustible.
2. Rellene el tanque si el nivel de combustible es bajo.
3. Agregue combustible cuidadosamente para evitar el llenado excesivo o el derrame de combustible. No debe haber combustible en el cuello del llenado.
4. Limpie cualquier derrame o salpicaduras de gasolina antes de arrancar el motor.
5. Apreite el tapón de llenado después del llenado.

ADJUSTE

Ajuste de la altura de corte

Como se muestra en Fig 14

¡PRECAUCIÓN! Ajustar solo la altura de corte cuando se apaga el motor y se tira de la funda de la bujía.

La altura de corte se ajusta centralmente con un mango de ajuste de altura de corte. Se pueden seleccionar diferentes alturas de corte.

Tire de la palanca de ajuste y seleccione la altura de corte deseada. Ponga la manija en la posición deseada.

De la posición 1 a la posición 7.

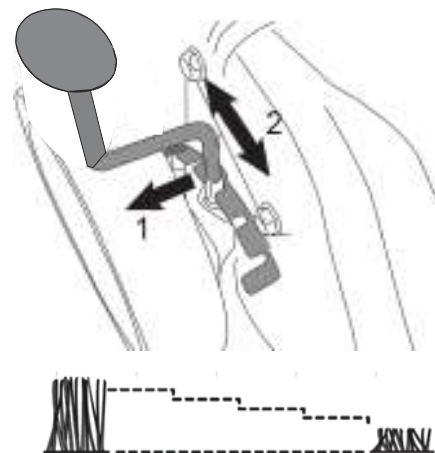
Configuración de la función requerida

¡PRECAUCIÓN! Esta cortadora de césped tiene tres funciones. Estas funciones pueden ser convertidas cambiando ajuste de accesorios. Por favor, consulte la siguiente tabla para la configuración de detalles.

Convertir La Cortadora De Césped	Mulching Enchufe	Bolsa	Descarga Lateral
Para embolsado trasero	x	√	x
Para mulching	√	x	x
Para descarga lateral	√	x	√

“√”: instalado “x”:retirar

Fig 14



FUNCIONAMIENTO

Arrancando y parando el motor



¡ADVERTENCIA!

La cuchilla comienza a girar tan pronto como se arranca el motor.



¡ADVERTENCIA!

No opere la máquina en áreas cerradas o con poca ventilación ya que los gases de escape contienen sustancias tóxicas. Mantenga las manos, los pies y la ropa alejados de todas las partes móviles de la máquina. El escape y otras partes de la máquina se calentarán durante el uso. Asegúrese de que la navaja esté bien sujeta antes de arrancar el motor.



¡NOTA!

Para arrancar el motor, asegúrese de que la funda de la bujía esté ubicada en la bujía y que la máquina esté llena de suficiente aceite y combustible.

Para arrancar el motor

Como se muestra en la Fig 15-16

1. Al arrancar un motor frío, presione hacia abajo el cebador completamente de 3 a 5 veces.



¡ADVERTENCIA!

Demasiadas presiones sobre la imprimación pueden hacer que el motor se inunde al arrancar un motor caliente. La imprimación no necesita ser utilizada. Si el motor se para debido a la falta de combustible, rellene y presione la imprimación 3 ~ 5 veces.

2. Párese detrás del cortacésped. Tire de la palanca de arranque del motor hacia la parte superior con una mano y coloque la otra mano en el arranque de tracción.

3. Tire de la fuerza de arranque aprox. 4-6 pulgadas hasta que sientas resistencia y luego arrancar el motor con un fuerte tirón.



¡NOTA!

Si el motor no arranca después de tres tirones, repite el proceso.

Fig 15

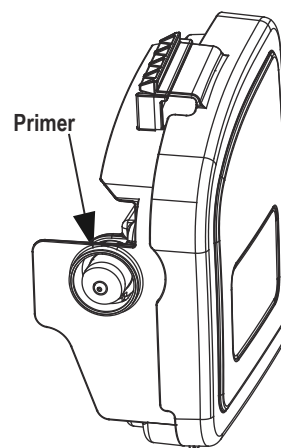
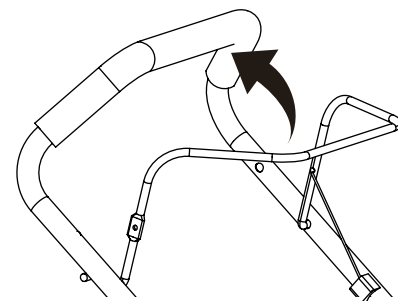


Fig 16



FUNCIONAMIENTO

4. Una vez que el motor esté en marcha, ponga la cuerda de arranque. En la guía de la cuerda. Como se muestra en Fig 17

Apagando el motor

Como se muestra en Fig 18

Suelte la palanca de arranque / parada del motor, volverá a su posición inicial, el motor se apagará automáticamente.

Limpiar un motor inundado



¡NOTA!

Si el motor no arranca después de que hayas jalado el arrancador varias veces, el motor puede estar inundado con exceso de combustible. Utilice el siguiente procedimiento para limpiar y arrancar un motor inundado.

1. Suelte la palanca de arranque / parada del motor para detener el motor.
2. Retire la bujía, séquela y luego vuelva a instalarla.



¡NOTA!

Instale la bujía con cuidado con la mano, para evitar que se enrosque. Después de que se asiente el enchufe, apriete 1/8 a 1/4 de vuelta con la llave de casquillo de la chispa para comprimir la rondana.

3. Tire de la palanca de arranque / parada del motor hacia la manija superior.
4. Haga funcionar el arranque de tracción como se describe anteriormente.

Fig 17

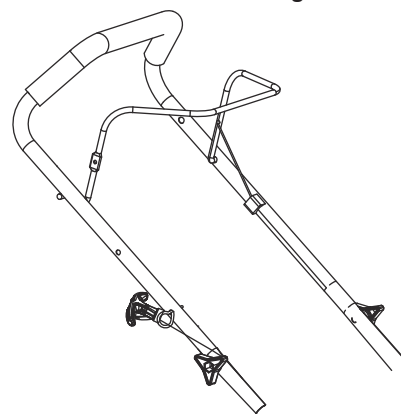
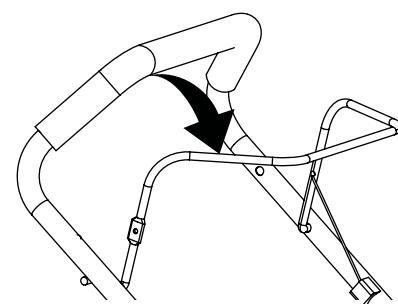


Fig 18



FUNCIONAMIENTO

Cortando el césped



¡ADVERTENCIA!

Respete siempre los procedimientos de seguridad más estrictos cuando utilice el cortacésped. Cuidadosamente lea las instrucciones de seguridad de este manual antes de usar el cortacésped.



¡ADVERTENCIA!

Nunca abra la tapa del eyector cuando la bolsa de hierba haya sido desmontada (para vaciarla) y el motor sigue funcionando ¡La cuchilla giratoria puede causar lesiones graves!

1. Seleccione su configuración requerida.
2. Arranque el motor y déjelo funcionar, y ajústelo a la velocidad requerida. Ver "para arrancar el motor".
3. Sujete firmemente la manija superior con la palanca de arranque / arranque del motor y camine junto con ella para comenzar a cortar el césped.

Consejos de trabajo

Tan pronto como los recortes de césped empiecen a rastrear la cortadora de césped, es hora de vaciar la bolsa de césped.



¡NOTA!

Antes de quitar la bolsa de hierba, apague el motor y espere hasta que la cuchilla se haya detenido.

1. Para quitar la bolsa de hierba, use una mano para levantar la tapa del eyector y la otra para agarrar el asa de transporte. La tapa del eyector se cae automáticamente después de retirar la bolsa de hierba y cierra la abertura del canal trasero.
2. Vacíe los residuos de hierba en la bolsa de hierba y vuelva a colocarla.



¡NOTA!

Si queda algún residuo de hierba en el conducto de descarga, límpielo con un cepillo. No retire los residuos de hierba en la carcasa de la cortadora de césped o en la cuchilla con la mano o con los pies. En su lugar, utilice herramientas adecuadas, como un cepillo o una escoba para asegurarse de que la hierba cortada se puede recoger en la bolsa de hierba, la abertura de descarga y el interior de la carcasa del cortacésped no deben tener obstrucciones.

ALMACENAMIENTO Y MANTENIMIENTO

Limpieza



¡ADVERTENCIA!

Antes de realizar cualquier trabajo de mantenimiento o limpieza, apague el motor y espere hasta que la cuchilla se haya detenido.

Limpieza general

La cortadora de césped debe limpiarse a fondo cada vez que se haya utilizado. Siempre limpie su cortadora de césped inmediatamente después de su uso. No permita que los recortes de césped y otros residuos se sequen y endurezcan en ninguna de las superficies de la cortadora. Los restos de hierba seca y la suciedad pueden perjudicar la operación de corte.

Compruebe que el conducto de hierba esté libre de hierba residual. Eliminar cualquier residuo. Revise la parte inferior de la cortadora de césped y el soporte de la cuchilla. Incline la cortadora de césped hacia su lado izquierdo (opuesto al cuello de llenado de aceite)



¡NOTA!

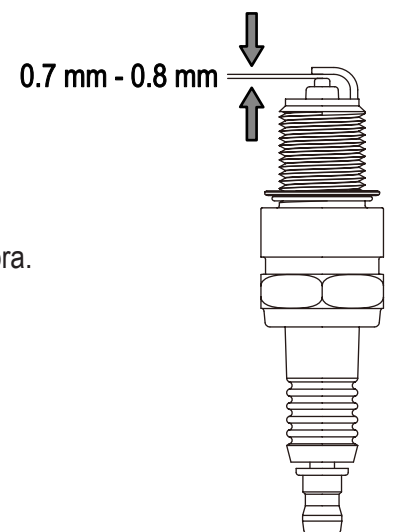
Antes de colocar el cortacésped de lado, drene completamente el tanque de combustible con una bomba de extracción de combustible.

No incline la cortadora de césped más de 90 grados.

Mantenimiento De La Bujía

1. Cuando el motor se haya enfriado, retire la bujía con un giro.
2. Retire la bujía con una llave de bujías.
3. Limpie la bujía con un cepillo de alambre (no incluido).
4. Usando un calibre, ajuste el espacio a 0,75 mm.
5. Instale la bujía con cuidado a mano, para evitar que se enrosque.
6. Después de que la bujía esté asentada, apriete con la llave para comprimir la lavadora.

Fig 19



ALMACENAMIENTO Y MANTENIMIENTO

Cómo reparar el filtro de aire

Como se muestra en Fig 20

Los filtros de aire sucios reducen la salida del motor al suministrar muy poco aire al carburador. Si el aire contiene mucho polvo el filtro de aire se debe revisar con más frecuencia.

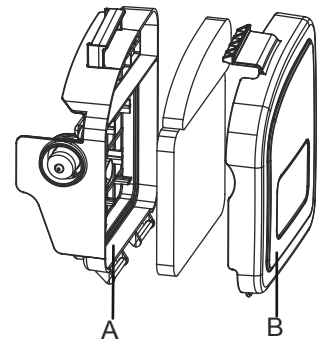


¡ADVERTENCIA!

Nunca haga funcionar el motor sin el elemento del filtro de aire instalado.

Fig 20

1. Retire la cubierta exterior del filtro de aire . Ten cuidado de evitar la suciedad y los escombros. de caer en el conjunto del filtro de aire.
2. Separe el filtro de aire del alojamiento del filtro de aire .
3. Inspeccione el filtro de aire. Limpie el filtro de aire sucio con agua tibia y jabón suave. Deje que el filtro de aire se seque completamente antes de volver a instalarlo.
4. Instale el conjunto del filtro de aire en el carburador y asegúrelo con un tornillo.



NOTA!

No utilice aire a presión ni disolventes para limpiar el filtro. El aire a presión puede dañar el filtro y los solventes disolverán el filtro.

Cambiando el aceite del motor

Incline el cortacésped hacia el llenador de aceite, tenga un recipiente listo para recoger el aceite y retire la varilla medidora. Cuando el aceite este vacío, vuelva a colocar la varilla y limpie los derrames.

Rellene con 17 oz./500ml de aceite SAE30 o equivalente i. e SAE5W / 30, SAE10W / 30. Cuando la varilla se apoya en el relleno. El nivel de aceite debe estar entre las marcas mínimas y máximas en la varilla.

777Consulte “Comprobación del nivel de aceite del motor y llenado con aceite del motor”

Arranque el motor y déjelo funcionar brevemente.

Pare el motor, espere un minuto y compruebe el nivel de aceite. Rellene si es necesario.

ALMACENAMIENTO Y MANTENIMIENTO

Reemplazo de la navaja

Por razones de seguridad, solo debe afilar, afilar y montar su hoja en un taller de servicio autorizado. Para obtener resultados óptimos, se recomienda inspeccionar la cuchilla una vez al año.



¡ADVERTENCIA!

Antes de retirar la bolsa de recolección de césped, apague el motor y espere hasta que la cuchilla se detenga por completo.



¡ADVERTENCIA!

Necesitará guantes de jardín (no incluidos) y una llave inglesa (no incluida) para retirar la navaja.



¡NOTA!

No invierta el cortacésped. Inclínelo ligeramente hacia el tubo de llenado de aceite y alcance debajo de la plataforma.



¡ADVERTENCIA!

Maneje siempre la navaja con cuidado, los bordes afilados podrían causar lesiones **UTILICE GUANTES**. Renueve su navaja de metal después de 50 horas de corte o 2 años, lo que ocurra primero, independientemente de la condición.



¡ADVERTENCIA!

Si la navaja está rajada o dañada, reemplácela con una nueva.



¡ADVERTENCIA!

No sostengas la navaja con tu mano sin guante.



¡NOTA!

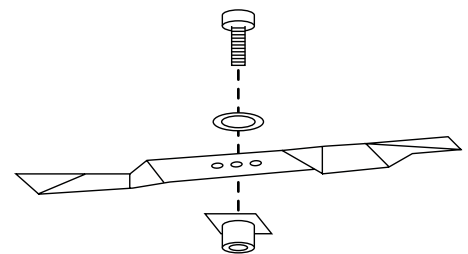
Mantenga el filo de la navaja al cortar la hierba. Si la navaja se ha desgastado excesivamente y se ha picado y desafilado, debe reemplazarse o afilarse. El filo de la navaja afectará el rendimiento del cortacésped.

Por razones de seguridad, recomendamos que la navaja solo sea cambiada por alguien calificado y autorizado para hacerlo.

Sostenga la navaja y desenrosque el perno de la navaja en sentido contrario a las agujas del reloj con una llave inglesa. Retire la arandela y la navaja.

Coloque una nueva navaja o afile nuevamente la navaja, ubique la navaja en los dos espárragos del flanco de la navaja y luego vuelva a colocar la arandela y los pernos. Asegúrese de que la navaja esté ubicada correctamente y luego apriete firmemente el perno. No apriete demasiado. El giro hacia arriba de la navaja debe sobresalir hacia el compartimiento del motor.

Fig 21



ALMACENAMIENTO Y MANTENIMIENTO

Almacenando el cortacésped por períodos cortos

El cortacésped se puede almacenar por cortos períodos de tiempo (menos de 15 días) sin realizar ningún mantenimiento de almacenamiento.

Antes de guardar el cortacésped, realice siempre lo siguiente:

1. Permita que el motor se enfríe completamente.
2. Asegúrese de que la bolsa de hierba esté vacía.
3. Limpie todos los residuos de debajo de la plataforma del cortacésped.
4. Guarde el cortacésped en una superficie plana y nivelada con el cortacésped en posición vertical.
5. Almacene en un lugar seguro que no sea accesible para niños o personas que no estén familiarizadas con la operación.

Almacenando el cortacésped por períodos prolongados

Si el cortacésped debe ser almacenado por más de 15 días, el mantenimiento del almacenamiento se debe realizar en el cortacésped. Si no se llevan a cabo los siguientes pasos, la próxima vez que opere el cortacésped, es posible que no se inicie correctamente y que deba ser reparado.



¡PRECAUCIÓN!

No vacíe el tanque de combustible en áreas cerradas, cerca del fuego o cuando esté fumando. Los vapores de gasolina pueden causar explosiones y fuego.

1. Vacíe el tanque de gasolina con una bomba de succión de gasolina si está disponible.
2. Arranque el motor y déjelo funcionar hasta que se haya agotado la gasolina restante.
3. Cambie el aceite al final de cada temporada. Para hacerlo, retire el aceite de motor usado de un motor caliente y vuelva a llenarlo con aceite nuevo.
4. Limpie las aletas de refrigeración del cilindro y la carcasa.
5. Asegúrese de limpiar toda la máquina para proteger la pintura.
6. Almacene la máquina en un lugar bien ventilado.

ALMACENAMIENTO Y MANTENIMIENTO

Programa de mantenimiento

Realizar el mantenimiento de rutina correctamente en su cortadora de césped asegurará que obtenga años de uso sin problemas.

Guarde este manual en un lugar seguro para futuras consultas.

Se recomienda que se cumpla el siguiente programa de mantenimiento. Esto asegurará el funcionamiento del cortacésped correctamente y es seguro de usar.

	12 HORAS DE USO	24 HORAS DE USO	36 HORAS DE USO
Filtro de Aire	Limpiar	Limpiar	Reemplazar
Bujía	Verificar	Limpiar	Reemplazar
Aceite del motor	Verificar	Reemplazar	Verificar

El aceite del motor debe cambiarse después de las primeras 8 horas.

Transporte

Vaciar el depósito de gasolina.

Siempre deje funcionar el motor hasta que haya agotado el resto del combustible en el tanque.

Vaciar el aceite del motor del motor caliente.

Retire la funda de la bujía.

Limpie las aletas de refrigeración del cilindro y la carcasa.

Utilice el embalaje original para enviar siempre que sea posible.

SOLUCIÓN DE PROBLEMAS



¡ADVERTENCIA!

Antes de realizar cualquier trabajo de mantenimiento o limpieza, apague el motor y espere hasta que la navaja se haya detenido.



¡PRECAUCIÓN!

Las reparaciones incorrectas pueden hacer que el producto funcione de forma insegura. Esto te pone en peligro a ti y a tu entorno.

Las fallas que no pueden rectificarse con la ayuda de la siguiente tabla pueden ser rectificadas únicamente por una empresa especializada (centro de servicio al cliente) 1-866-591-8921.

Tenga en cuenta que cualquier reparación inadecuada también invalidará la garantía y podría incurrir en costos adicionales.

Utilice únicamente repuestos originales. Solo estas piezas de repuesto están diseñadas y son adecuadas para el producto. El uso de otro repuesto las piezas no solo anulan la garantía, sino que también pueden ponerse en peligro a usted y a su entorno.

FALLA	CAUSA	SOLUCIÓN
Mientras funciona la máquina vibra fuertemente	Los tornillos están sueltos Los sujetadores de la navaja están sueltos La navaja está desequilibrada	Revise los tornillos Revise los sujetadores de la navaja Reemplazar la navaja
El motor no arranca	Palanca de arranque no está presionada La bujía está defectuosa El tanque de combustible está vacío El motor puede estar inundado	Reemplace la bujía Llame al centro de servicio al cliente Recarga con combustible Retire el tapón y seque
El motor funciona inestablemente	El filtro de aire está sucio La bujía está sucia	Limpiar el filtro de aire Limpiar la bujía
Resultados de corte desigual	La navaja no tiene filo La altura de corte es demasiado baja	Afilarse la navaja Establecer la altura correcta
Bolsa de hierba no está llena suficientemente	La navaja está desgastada Bolsa de hierba está obstruida La altura de corte está correcta? ¿Está mojado? ¿El canal de descarga está bloqueada? La parte inferior de la cubierta del cortacésped está obstruido?	Reemplace la navaja Vaciar la bolsa de hierba Corregir la altura de corte Deja que el césped se seque Limpiar el canal de descarga / alojamiento Limpie la parte inferior del cortacésped. cubierta