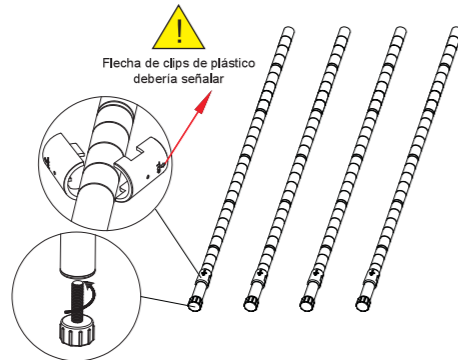
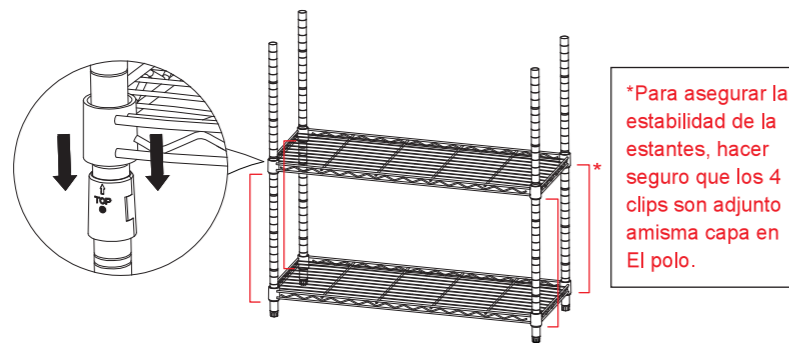


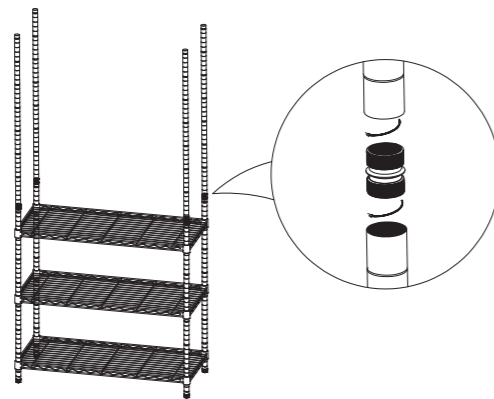
- 1** Atornille las patas niveladoras (E) en la parte inferior de los 4 postes (B). Rompe el plástico Clips (D) en las ranuras del poste en la misma posición y asegúrese de que el la flecha de los clips de plástico apunta hacia arriba.



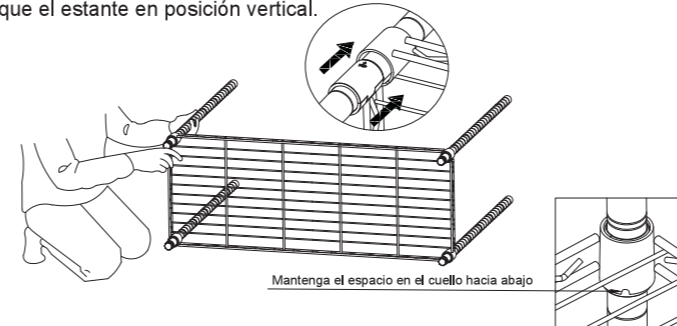
- 3** Consulte el Paso 1 para encajar los clips de plástico en las ranuras de los 4 postes en su posición deseada y deslice el estante de alambre hacia abajo desde la parte superior de cada poste hacia abajo en los clips de plástico.



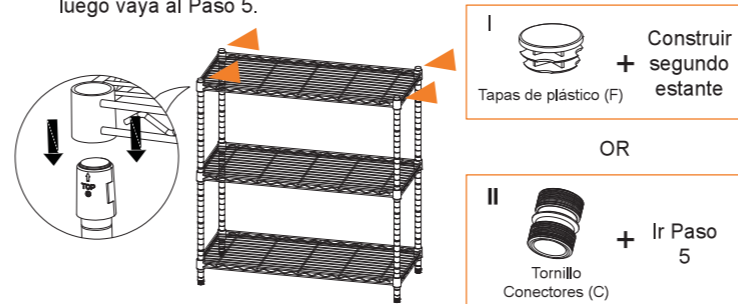
- 5** Atornille los 4 polos restantes al extremo superior de los conectores roscados.



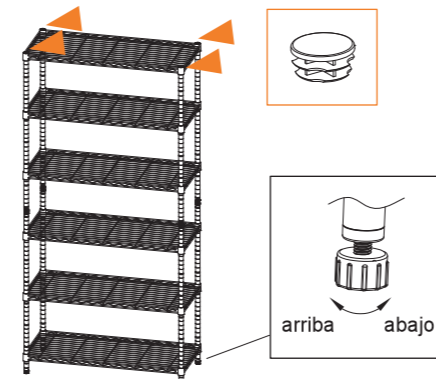
- 2** Asegúrese de tener el estante de alambre (A) en la posición correcta. (Los espacio en el collar debe mirar hacia abajo) Sostenga el estante de lado y deslice la parte superior de 4 postes a través de la parte inferior de cada estante en sus esquinas hasta que haya es un ajuste perfecto. Después de 4 polos han sido se deslizó a través de los agujeros del cuello del estante, coloque el estante en posición vertical.



- 4** Repita el proceso para terminar de construir la capa superior. Desde este punto, usted puede:
I) Empuje las tapas de plástico (F) en la parte superior de los postes, luego repita los pasos 1-4 para hacer un segundo estante, O
II) Fije los conectores de tornillo (C) a la parte superior de los postes, luego vaya al Paso 5.



- 6** Repita los pasos 1 y 3 para terminar las capas adicionales. Empuje el plástico Tapas (F) en la parte superior de los postes.



6-Shelf / 2x 3-Shelf Shelving Storage Unit(s)

Assembly Instructions

For additional support, email:
help@efineusa.com

or visit:
<https://efineusa.com/pages/contact-us>

Efine Shelving Units: 1 Year Limited Warranty

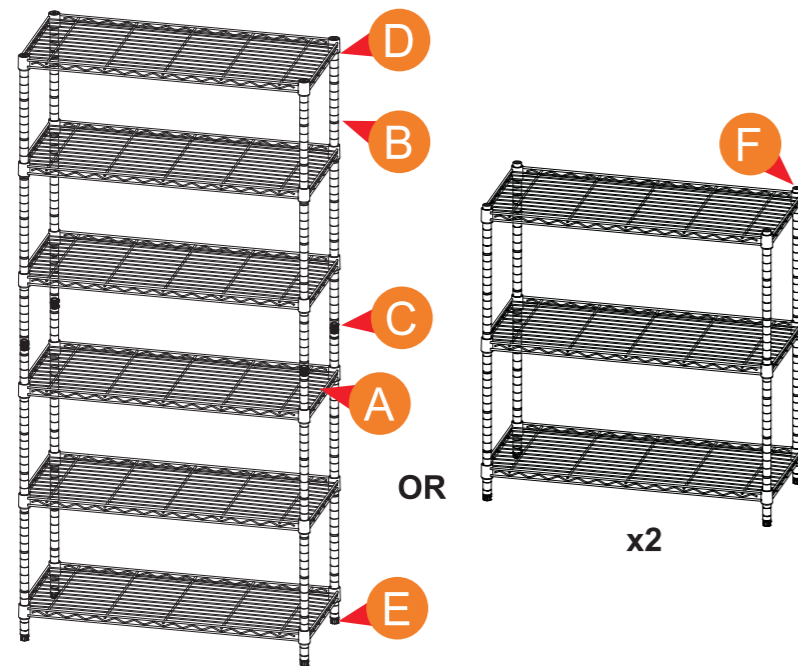
Efine USA ("Efine") warrants to the original purchaser ("Purchaser") of a EFINE NSF Shelf Unit ("Product") that each Product will be free from defects in workmanship and materials for a period 1 year from date of original purchase. Efine's obligations under this warranty are limited to repairing or replacing the product during the warranty period, or to provide reasonable compensation for the product, at Efine's option not to exceed the purchase price of the product. All replacement parts and products become the property of Efine and must be returned to Efine.

This warranty does not cover normal wear and tear of the product and its parts, as well as damage caused by negligent use or abuse of the product, use contrary to this user manual, or modification by anyone other than Efine. The one-year warranty period is not extended or renewed for product repair or replacement or compensation. Any warranties implied by applicable law are limited to one year from the date of purchase and are subject to the same conditions and limitations as our express warranties.

Except as provided in this Agreement and to the extent applicable, this product provides no warranties, express or implied, and Efine disclaims all warranties, including, but not limited to, implied warranties of merchantability, infringement, or fitness for a particular purpose. Any individual, company No warranty or guarantee given by any entity or entity with respect to this product shall be binding on Efine.

If your product is defective or needs repair or parts, please contact Efine Customer Service email at csr@efineusa.com. Please list out the model you purchased, date of purchase and product issues. Your service request must be accompanied by a copy of the original sales receipt.

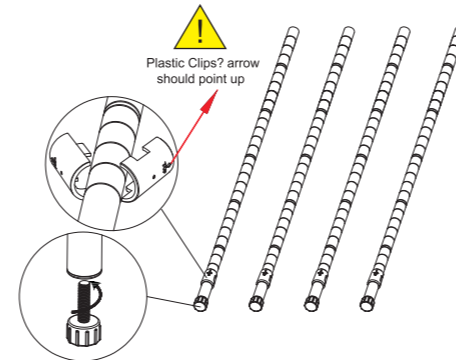
Assembly Instructions



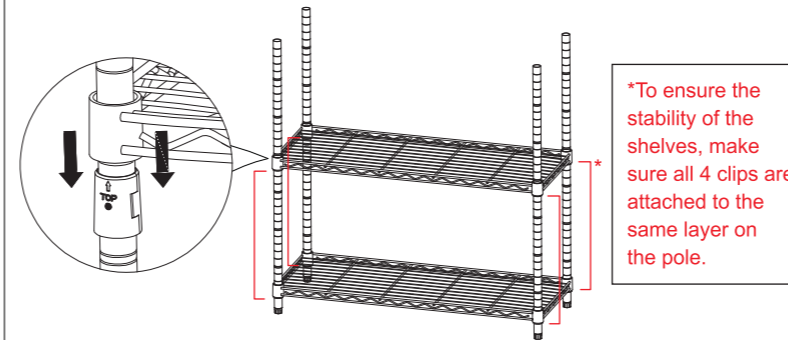
Parts List

No.	A	B	C	D	E	F
Name	Wire Shelf	Pole with Screw Nut and Threaded Insert	Screw Connector	Plastic Clip	Leveling Foot	Plastic Cap
Parts						
Qty	6PCS	8PCS	4PCS	48 PCS	8PCS	8PCS

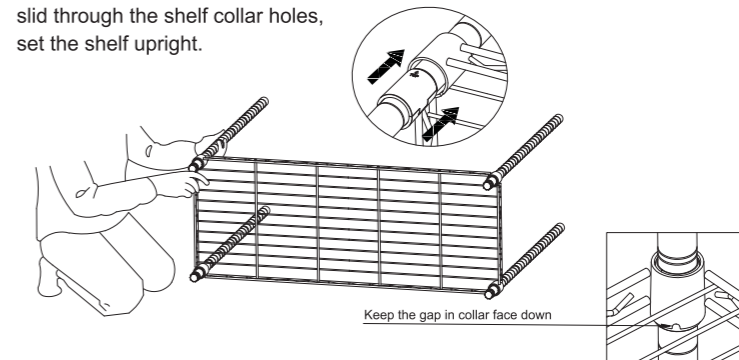
- 1** Screw the Leveling Feet (E) into the bottom of 4 Poles (B). Snap the Plastic Clips (D) into the pole grooves at the same position and make sure that the arrow of plastic clips are pointing up.



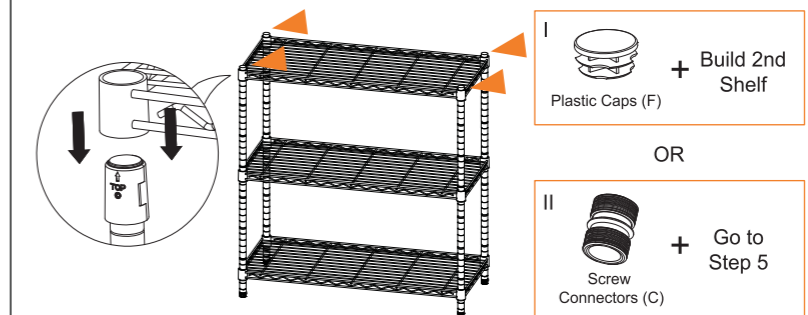
- 3** Refer to Step 1 to snap the plastic clips on the grooves of 4 poles at your desired position and slide the wire shelf down from the top of each pole down onto the plastic clips.



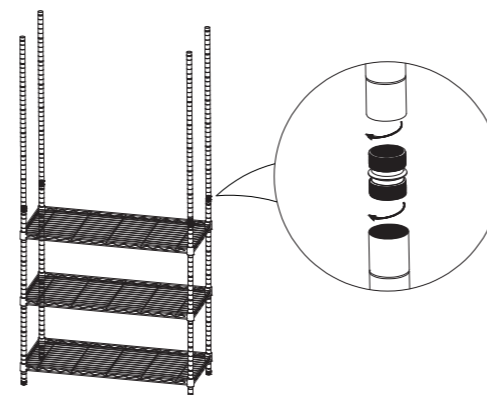
- 2** Please make sure that you have the wire shelf (A) the correct way up. (The gap in collar shall be faced down) Hold the shelf on its side and slide the top of 4 poles through the bottom of each shelf at its corners until there is a snug fit. After 4 poles have been slid through the shelf collar holes, set the shelf upright.



- 4** Repeat process to finish building the top layer. From this point, you can:
I) Push Plastic Caps (F) into the tops of the Poles, then repeat Steps 1-4 to make a second shelf, OR
II) Attach Screw Connectors (C) to the tops of the poles, then go to Step 5.



- 5** Screw on the remaining 4 Poles to the upper end of the Screw Connectors.



- 6** Repeat Step 1 and Step 3 to finish the additional layers. Push the Plastic Caps (F) into the tops of the Poles.

