

**WHOLE HOUSE**

# iSpring Whole House Ultraviolet Light Water Filter

## Installation Instructions & User Manual

Ver. 07/2023



Model: UVF55FS



Any questions?  
Scan the QR code  
for support.



Please read the User's Manual Carefully and keep it available.

Copyright ©2005-2023 ISPRING WATER SYSTEMS, LLC. All rights reserved.



## Table of Content

Table of Content	1
Components in the Package	2
Precautions	3
Specs and Conditions	3
Installation	4
System Operation	8
Maintenance	9
Troubleshooting	10
Overview	10
iSpring Standard Limited Warranty (End-Users Only)	
Warranty Registration	

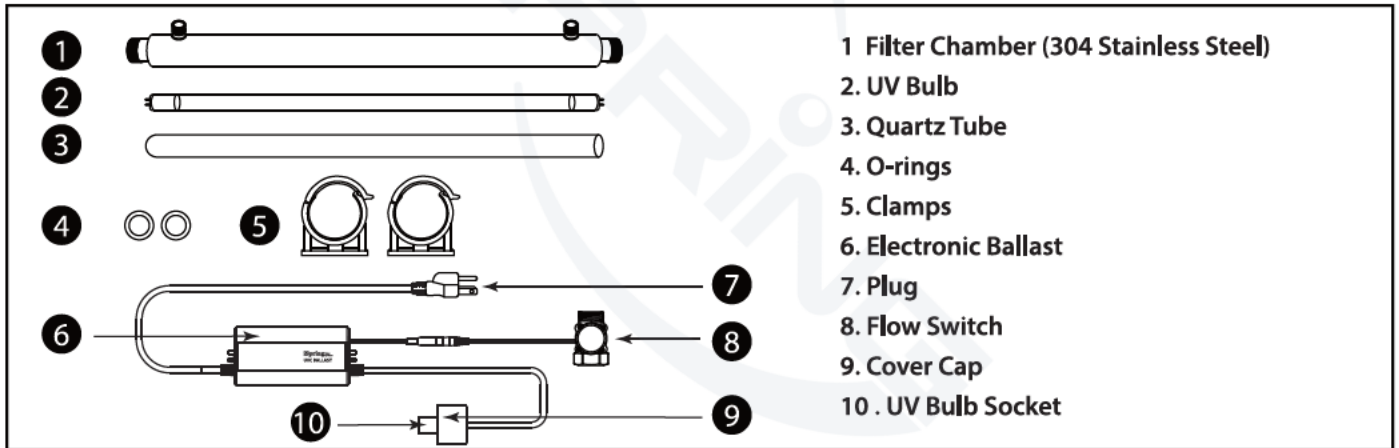
## Components in the Package

Model: UVF55FS

POE/POU: POE (Point-of-Entry)

Input: 110-240 V AC 50/60 Hz

UV Bulb: Model #UVB55FS



## Precautions

- Please do not install this product outside or in a place exposed to direct sunlight or freezing temperature.
- Please install this product where it is easy to access and maintain.
- Avoid jarring/bumping, freezing, overheating, and corrosive chemicals.

## Specs and Conditions

<b>Operating Parameters</b>	
Operating Pressure	4-85 psi
Ambient Water Temperature	36-113°F
Ambient Air Temperature	32-100°F
Maximum Humidity	100%
Maximum Turbidity	1 NTU
Maximum Hardness	120 ppm (7 gpg)
Maximum Iron Concentration	0.3 ppm
Maximum Manganese Concentration	0.05 ppm
Minimum UV Transmittance	75%
Installation	Vertical or Horizontal
Rated Flow	12GPM
Rated Service Life of the Bulb	1 Year
Dimensions	2.5" x 37.5"

# Installation

## Before Installation

- The unit comes with two ports. Both are 1-inch MNPT and can be used as an inlet or outlet. Please choose the correct fittings to fit your plumbing. It is recommended that you install an inlet valve and an outlet valve before and after the unit for easy maintenance. Please ensure it can be easily disassembled from the water line for future maintenance.
- The unit should be installed after a sediment filter, as sediments in the water can block UV light and become a shelter for contaminants. Thus, water coming into the UV system must be clear (free of particles larger than 20 microns). It is recommended that you install the UV system after the filters as the last stage.
- If the water flow speed exceeds the rated flow, please install a flow-limiting or pressure-limiting device. If the water pressure exceeds 85 psi, please install a pressure regulator in the inlet/outlet to protect the quartz sleeve.
- Please install the system at a position by the retaining clip, retaining nuts, or other mounting devices to prevent it from dropping due to the vibration caused by water and causing damage to the fragile internal parts.
- The ultraviolet system is not designed to eliminate bad tastes, smells, biological materials, chemicals, silt, heavy metal, or other impurities. It does not reduce sediments that affect the efficiency of the UV. Therefore, installing a pre-filter is necessary to ensure the system can achieve optimal performance.

## Installation Steps

**Step 1**– Before mounting the two black plastic Clamps onto the wall, ensure there is enough room for the stainless steel Filter Chamber and access for future servicing. It can be installed horizontally or vertically. (If you choose vertical mounting, make sure that the water inlet is mounted at a lower level while the outlet is at a higher level to slow down water flow and increase exposure to the UV light.)

**Step 2–** Open the package to check all components inside: Filter Chamber, UV Bulb, Quartz Tube, O-rings, Electronic Ballast, Clamps, and Flow switch. Ensure that the Quartz Tube and UV Bulb are clean before installation (clean it with alcohol or mild detergent). Wear soft, non-abrasive gloves to keep any finger marks away from them.

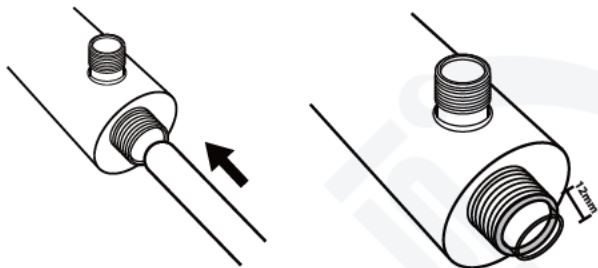
**Step 3–** Remove both open-end and closed-end Nuts from the Filter Chamber.



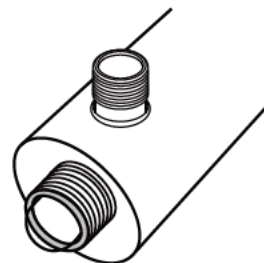
**Step 4–** Install the O-ring onto the open-end of the Quartz Tube (12mm from the edge).



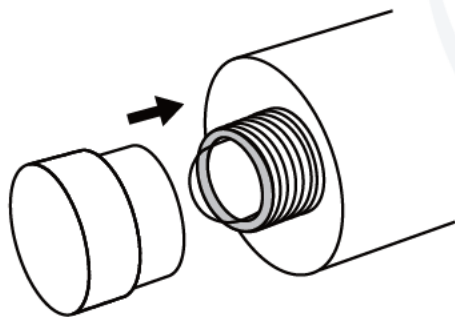
**Step 5**– Insert the Quartz Tube into the Filter Chamber.



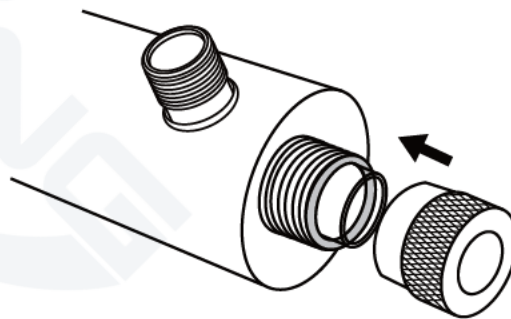
**Step 6**– Install the O-ring onto the closed-end of the Quartz Tube.



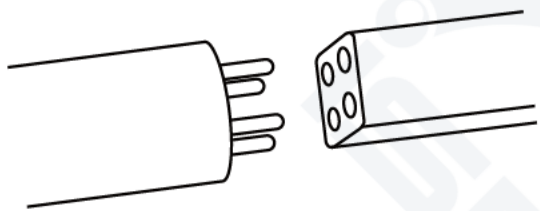
**Step 7**– Hand-screw the closed-end nut on the Filter Chamber (closed-end of Quartz Tube). To protect the O-ring, do not over-tighten.



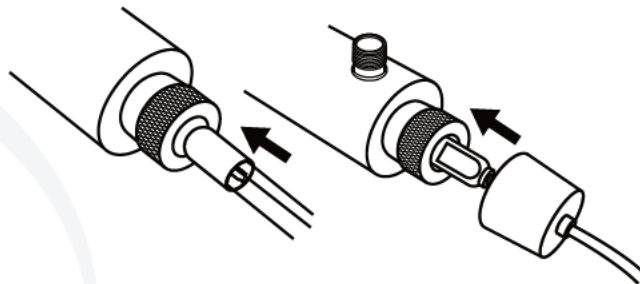
**Step 8**– Hand-screw open-end nut on the Filter Chamber (open-end of Quartz Tube). To protect the O-ring, do not over-tighten.



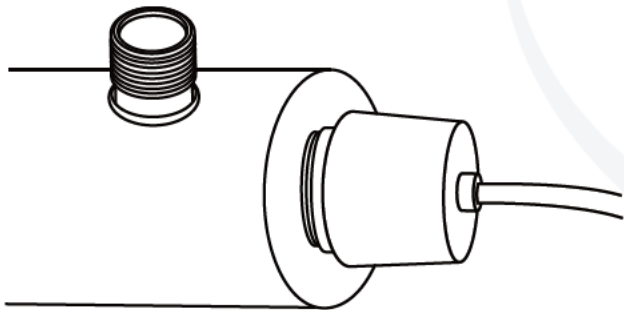
**Step 9**– Connect the 4-pin electrical UV Bulb socket with UV Bulb pins tightly.



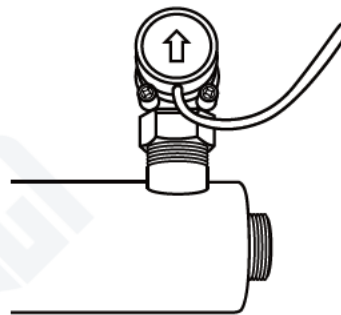
**Step 10**– Carefully insert the UV Bulb into the Quartz Tube through an open-end nut.



**Step 11**– Install the Cover Cap and hand-tighten it onto open-end nut.



**Step 12**– Insert the Flow Switch on the outlet; please notice the water flowing direction.



**Step 13**– Select a readily accessible and well-lit location to fix the system. The system should always be located close to the entry and can either be installed horizontally or vertically.

**Step 14**– When all plumbing connections are finished, slowly turn on the water supply and check for leaks.

**Step 15**– Allow the water to run for a few minutes to clear any air or dust in the Filter Chamber.

**Step 16**– Connect the Electronic Ballast for powering up.

## **System Operation**

### **Water Quality Guidelines**

- A. The ultraviolet system is intended for visually clear water, not colored, cloudy, or turbid.
- B. Recheck the installation before plugging the system into power.
- C. Do not install the equipment when UV Bulb or Quartz Tube is broken; repurchase one and continue.
- D. Ultraviolet Water Treatment System is designed for continuous operation, and frequent switching will reduce ultraviolet radiation and service life.
- E. If this unit falls into the water, turn the main power off, then retrieve it. Do not attempt to use this system if it has been submerged.
- F. Do not operate this unit if it has a damaged cord or plug, is malfunctioning, or has been dropped or damaged in any manner.
- G. The UV system should be installed after the POE whole house water filtration system.

Always disconnect the water supply and completely drain the system if it is subjected to temperatures below freezing for extended periods.

## Maintenance

- For your safety, **ALWAYS** wear goggles and turn the power **OFF** before **REPLACING** the UV bulb or **CLEANING** the quartz tube! Servicing the unit with the power on will also cause damage to the ballast. Never service the UV bulb or quartz sleeve without wearing protective eyewear!
- Over time, minerals in the water slowly form a coating on the quartz sleeve. This coating must be removed periodically, as it reduces the amount of UV light reaching the water. **Please carefully clean the bulb and quartz sleeve at least 2-3 times a year if the unit can be unmounted easily. Otherwise, please replace the bulb and quartz sleeve every 1-2 years.**
- To clean the bulb—Wear rubber, latex, or nitrile gloves to avoid contaminating the bulb.
  - Unplug the power, shut off both inlet and outlet valves, and remove the entire filter chamber from the waterline. Next, drain the water, remove the black rubber cover cap, which has the power cord attached, and remove the bulb from the quartz tube. Wipe the bulb with a piece of lint-free cloth moistened with white vinegar.
- To clean the quartz tube—Use great care when handling the quartz tube as it is very fragile; avoid bumping or jarring it.
  - Unplug the power, shut off both inlet and outlet valves, and remove the entire filter chamber from the waterline. Next, drain the water, remove the black rubber cover cap with the power cord attached, and then remove the bulb from the quartz tube. Pour vinegar into the water inlet and soak the quartz tube until it is clear. Rinse thoroughly and carefully.
- The UVF55FS comes with a flow sensor that turns the UV unit on and off automatically with water flow. The electronic ballast comes with an automatic delay timer, and the system will remain active for 300 seconds each time after the water flow is stopped.
- The amount of UV light created by the bulb decreases over time. Therefore the bulb should be replaced every 12 months.

## Troubleshooting

<b>Problem</b>	<b>Solution</b>
Leaking from the UV system stainless steel filter chamber end nuts	The O-ring inside the quartz sleeve might be damaged. Please contact us
Leaking from the quartz tube	Replace the quartz sleeve
Leaking at the inlet/outlet	Wrap Teflon tape on the threads and reconnect the water pipe
The ballast alarm goes off; the green indicator light is out, and the bulb doesn't power on	The bulb has reached its service life; replace the bulb
The bulb doesn't turn on after replacing	Check the bulb connector wires, pins, socket, and electronic ballast
The bulb turns on, but indicator lights and alarm are abnormal	Indicator lights are broken, replace the ballast

## Overview

Ultraviolet (UV) has proven to be a quick, reliable, and cost-effective water treatment method for both point-of-use (POU) and point-of-entry (POE) systems. Being a chemical-free, environmentally friendly, and affordable UV water treatment system, iSpring's upgraded UVF55FS UV system can protect the whole house against water concerns commonly found in private wells. For homes that get water from municipal water suppliers, this UV system provides an effective solution against chlorine-resistant substances so that you and your loved ones get clean and worry-free water for drinking, washing, showering, and more.

Build your trust in water for your entire household by removing risks unable to be addressed by your municipal treatment plan or those born with well water or other natural water sources. This whole-house UV system is a perfect last step to add to your whole-house water treatment systems and gives you the peace of mind of knowing you can trust your water.

## **iSpring Standard Limited Warranty (End-Users Only)**

**In order to be eligible for this warranty, the end-user must register at [www.123filter.com](http://www.123filter.com).**

For all water filtration systems, and upon registration by the end-user, iSpring Water Systems, LLC (iSpring) warrants for a one year from the date of purchase that the product is free of defects in materials and workmanship and that it will function for the duration of the warranty according to its specifications (the "Limited Warranty"). EXCEPT FOR THIS LIMITED WARRANTY, ISPRING EXPRESSLY DISCLAIMS ANY AND ALL REPRESENTATIONS AND WARRANTIES, WHETHER EXPRESS, IMPLIED, OR STATUTORY, INCLUDING ANY WARRANTIES OF TITLE, NON-INFRINGEMENT, MERCHANTABILITY OR FITNESS FOR A PARTICULAR PURPOSE. iSpring has no liability for any defect or deterioration which results from the improper installation, service, repair or use of the product. End-user's sole and exclusive remedy for any breach of the Limited Warranty shall be repair or replacement, at iSpring's option and expense. This warranty is only provided to end-users and only applies to products purchased directly from an authorized iSpring dealer or reseller.

### **Warranty Registration**

iSpring does not have access to order information from 3rd party selling channels, and it is strongly recommended to manually fill in the order information upon registering for warranty. Please contact our support team at [support@123filter.com](mailto:support@123filter.com) if there are any questions or concerns about the product and its installation. Your satisfaction is our business!

Please consider supporting us by leaving an honest product review on the channel where the product was purchased. It means a lot to us. Thank you for being an iSpring customer.

## Warranty Registration Form

Name \_\_\_\_\_

Order# \_\_\_\_\_

Email \_\_\_\_\_

Phone \_\_\_\_\_

Address \_\_\_\_\_

City \_\_\_\_\_

State \_\_\_\_\_

Zip Code \_\_\_\_\_

Model #/ Serial Number \_\_\_\_\_

Purchased at (e.g. Amazon, Home Depot) \_\_\_\_\_

Send to:

iSpring Water Systems, LLC  
2480 Industrial Park Blvd, Cumming, GA 30041  
+1 (678) 261-7611

### Plumber's information (Optional)

To best serve our customers, we'd like to recommend good plumbers throughout the USA. If you are happy with your installer, please provide their information so that we can pass it on as a courtesy.

Thank you!

Name of the plumbing company used to install your system: \_\_\_\_\_

Phone #: (\_\_\_\_) - \_\_\_\_\_ or email : \_\_\_\_\_ of the technician.





Like our products?

Please show your support by writing a product review on the marketplace where you make your purchase.

Even just a quick statement means a lot to us.

Thank you!

**iSpringFilter.com**



Scan to get your **FREE** warranty

For questions, comments, or technical support, please contact us at:

✉ [support@123filter.com](mailto:support@123filter.com)

☎ +1 (678) 261-7611

🗨 +1 (470) 560-0012

Monday-Friday 9:00 a.m. - 5:00 p.m. EST