



WaterPORT

PORTABLE. PRESSURIZED. WATER.



**WEEKENDER
OWNERS MANUAL**



WaterPORT

PORTABLE. PRESSURIZED. WATER.

Congratulations! You now own a WaterPORT™
Weekender™, the world's premiere self-pressurizing
vehicle water release system. With its rugged design, your
Weekender is sure to last you a lifetime of adventure.



PRODUCT OPTIONS

8 GALLONS OF FUN

Meet the Weekender, our largest tank at 8 Gallons. The Weekender offers a shower for the whole family and guarantees everyone stays clean while out on the trail. The tank offers multiple pressure options: 1) Self-pressurize the system off your home garden hose using the provided regulator. 2) Use a bike pump or compressor and fill the tank to 40psi (MAX). 3) Purchase our pump cap and pressurize the system any time by using the built in hand pump.

The Weekender offers a modular mounting system that can span from 32" all the way down to 8". The modular mount can be moved up and down the system using the 16 5/16" mounting inserts. The system is perfect for cross bars (see website for details), roof top platforms, trailers or secure it to the bed of your pickup (drilling may be required). Our modular mounts can be used with our Platform Rack Mount (2 required) to mount the system on its side for optimal roof top space.

IF YOU ONLY READ ONE THING

Get your Weekender mounted first, THEN attach the on/off valve. It's easy to bump that valve as you're lifting the tank up to its mount spot, so make sure to do things in the right order.

WHAT YOU GET

INCLUDED

- 1) The Weekender 8 gallon water tank (BPA free)
- 2) 2 mounting brackets
- 3) 16' coiled hose (BPA free)
- 4) 5 pattern high pressure nozzle
- 5) PSI Regulator for self-pressurization
- 6) All hardware needed to mount your tank
- 7) Tank includes schraeder valve and pressure relief valve

ALSO...

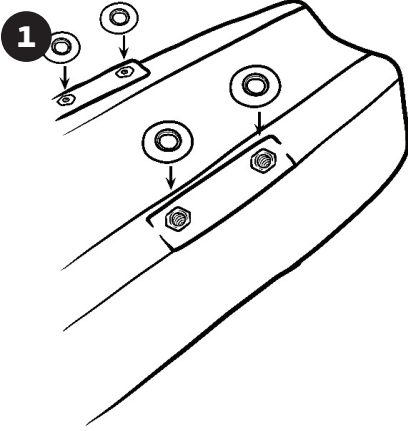
We also recommend a dab of Loc-Tite or something similar on all bolt locations. At the very least you need to check all bolts after every 200 miles. This is a heavy container and road (or off-road) vibrations can cause bolts to come loose.

MOUNTING

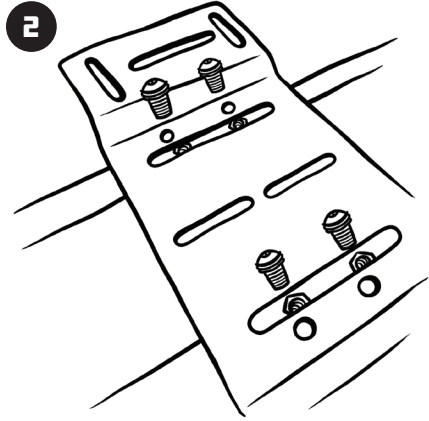
PLATFORM ROOF RACK MOUNT

Your mounting bracket can mount perpendicular (shown) or parallel to your Weekender.

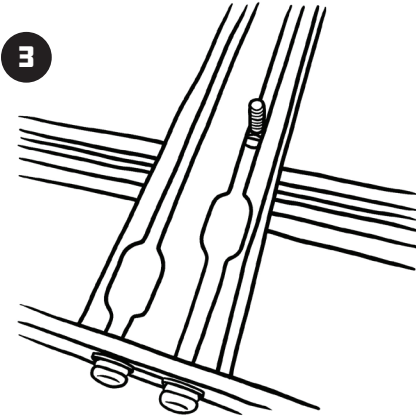
To mount it parallel, turn the mount over.



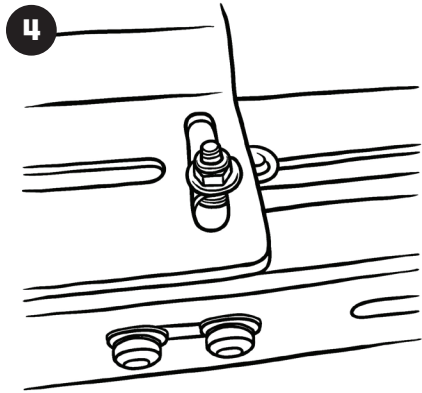
1) Place 8 neoprene rubber bonded sealing washers onto the tank (with the black/rubber side against the tank).



2) Place the mount on top of the bonded washers and insert 8 5/16" bolts. Be sure to include 5/16" lock washers and 5/16" washers on each bolt. Make sure bolts are securely fastened.



3) Insert 4 carriage bolts into your vehicle's rack by sliding them forward or backward. Make sure they align with the slots in the mounts.

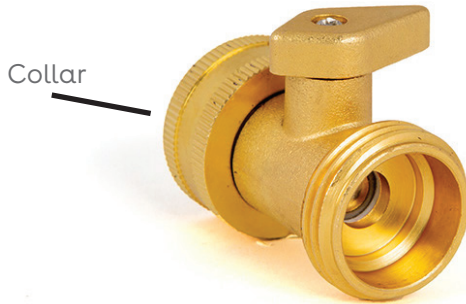


4) Set your tank on top of the platform rack and align the bolts with the slots located on each side of the tank. Insert 4 washers and then place the 4 lock nuts and thread on tightly.

SET UP

INSTALLING THE ON/OFF VALVE

- 1) DO NOT install the on/off valve until your tank is securely mounted to your vehicle.
- 2) Tighten the valve by grabbing the collar and twisting to the right. Do not use any tools, this will damage the thread. Do not overtighten with major force. Please note that your tank may or may not have an extra brass adapter between the tank and on/off valve.



- 3) Keep your red cap on your tank when not in use. The cap keeps your quick connect O-ring protected from UV damage.

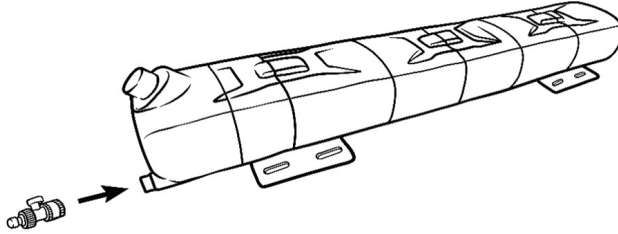


SET UP

ASSEMBLE TANK FITTINGS

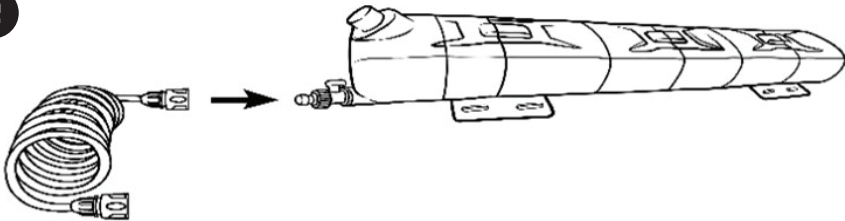
Get your Weekender mounted to your vehicle first, THEN attach the on/off valve. It's easy to bump that valve as you're lifting the tank up to its mount spot, so make sure to do things in the right order.

1



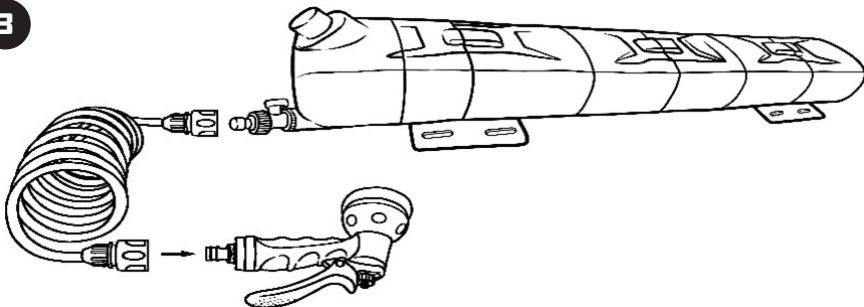
1) Attach the on/off to your tank by threading it on clockwise. Tighten the on/off by the collar, not the body of the valve.

2



2) Attach the provided 16ft hose by pushing it on to the quick connect, making sure you hear a click.

3

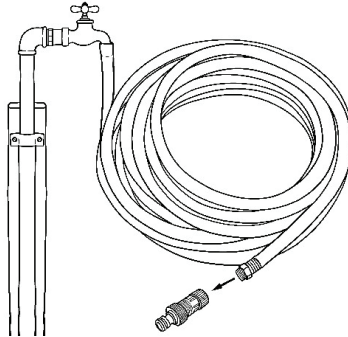


3) Attach the nozzle by pushing in the male quick connect (located on the bottom of the nozzle) to the quick connect at the end of the 16' hose.

HOW TO

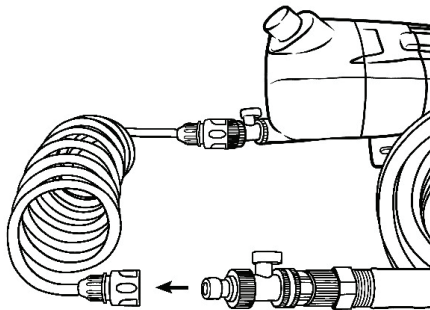
PRESSURIZE YOUR TANK

1



1) Attach the provided regulator to your home hose and screw it on all the way.

2



2) To self-pressurize your tank attach the regulator to the end of the provided 16ft hose. Turn the on/off valve on both the tank and the regulator to the on position. The tank will start to fill. It will take approximately 2.5 minutes to fill up. You can also tell it's full by wrapping your hand around the provided hose and wait until you can feel the flow of water stop. Once full make sure both valves are turned to the off position and disconnect the 16ft coil hose from your home garden hose.

3) You can manually pressurize by attaching a bike pump or compressor to the Schrader valve located below the fill cap. **Do not exceed 40psi.** When pressurizing the system manually be sure to release some water to allow air to build in the tank. If this cannot be done do not exceed 15psi until approximately 1 gallon has been removed from the tank.

BE SAFE

DON'T VOID YOUR WARRANTY



CORRECT

WRONG

Never connect your fill valve directly to the tank. The pressure regulator only works in one direction and must be attached to your HOME GARDEN HOSE (see the previous page). Attaching your REGULATOR to your Weekender will void your warranty.



ADDITIONAL INFORMATION

WARRANTY

COVERED PRODUCT:

WaterPORT™ Portable Pressurized Water System and accessories.

LIMITATION OF DAMAGES:

In no event shall the manufacturer WaterPORT™, LLC, a California limited liability company be liable for consequential damages for breach of this warranty. Some States do not allow the exclusion or limitation of incidental or consequential damages, so the above limitation or exclusion may not apply to the buyer.

WARRANTY COVERAGE:

WaterPORT™, LLC warrants the Covered Product to be free of all defects in material and workmanship for 90 days from the date of original purchase. This warranty extends to the original buyer only.

Within the period of this warranty, WaterPORT™, LLC will repair or replace, free of charge, any part proving defective in material or workmanship. All warranty repairs and service must be performed by an authorized WaterPORT™, LLC technician.

All expenses related to replacing or repairing a defective part under this warranty shall be assumed by WaterPORT™, LLC except for the following expenses, which shall be assumed by the buyer: The cost of transporting the product to the WaterPORT™ Returns Department at the address listed below.

WARRANTY EXCLUSIONS:

- This warranty does not apply to any costs, repairs, or services for the following:
- This warranty does not apply to any costs, repairs, or services for the following:
- Repairs necessitated by use other than normal personal, family, or household use.
- Damage resulting from misuse, abuse, accidents, alterations, or improper installation.
- Damage arising from either road hazards or driving off road.
- Cosmetic damages including, but not limited to, scratches or discoloration.
- Damage arising from liquids other than water.
- Damage arising from high temperatures.

Corrective work necessitated by repairs made by anyone other than a WaterPORT™, LLC authorized service technician.

ADDITIONAL INFORMATION

WARRANTY

HOW TO OBTAIN WARRANTY SERVICE:

If the Covered Product needs to be returned, **please email sales@thewaterport.com to request an RA number.**

The buyer should then carefully pack the Covered Product, preferably in the original packing materials, and deliver it, together with a copy of the original purchase receipt and a description of the problem, to the following:

457 Deseret Drive Suite 1

Kaysville, UT 84037

Attn: WaterPORT Returns Department (insert RA number here)

IMPORTANT: Please include a return address

SHIPPING METHODS:

For your records, please select a trackable shipping method such as UPS, Fedex, or USPS to monitor the shipment of the Covered Product to the WaterPORT™ Returns Department. We recommend that the buyer insure the product being shipped. We accept no liability for Covered Products lost or misplaced in shipment.

30 DAY MONEY BACK GUARANTEE:

This warranty is in addition to the 30 day money back guarantee.

NOTICE TO BUYER:

This warranty gives you specific legal rights, and you may also have other rights which vary from state to state. You have the right to bring any action at law or equity to resolve disputes concerning or to enforce the provisions of this warranty.



WaterPORT

Copyright © 2023 WaterPORT. All Rights Reserved.

www.theWaterPORT.com

 @TheWaterPORT