

www.blackanddecker.co.uk

BHFEB520D

Fig. A

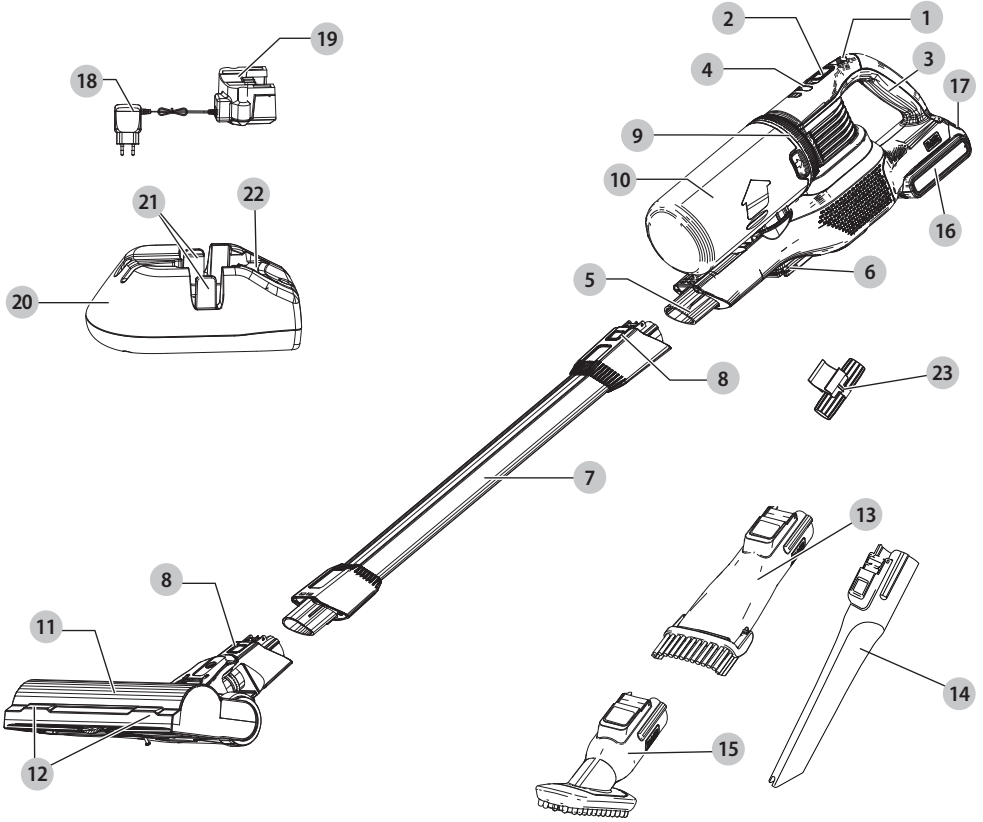


Fig. B

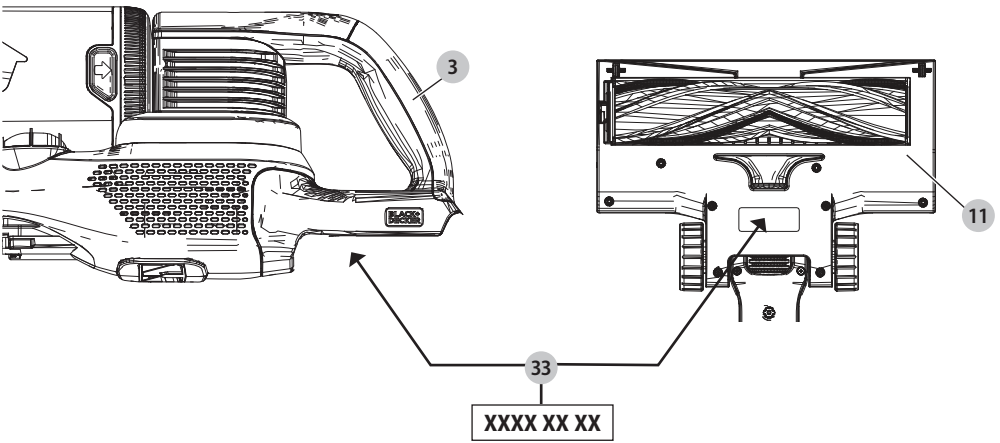


Fig. C

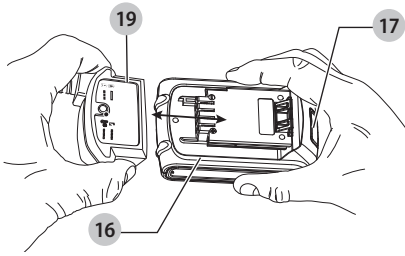


Fig. D

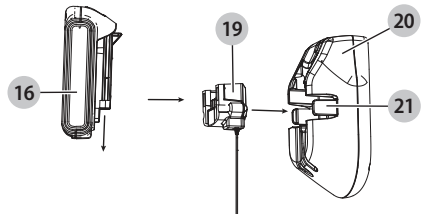


Fig. E

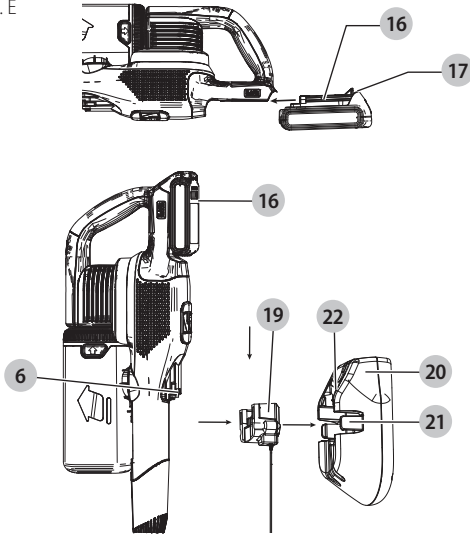


Fig. F

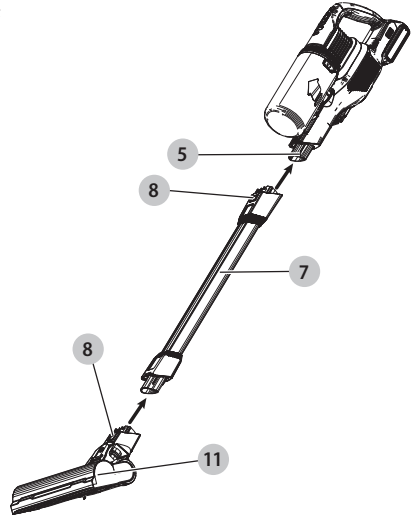


Fig. G



Fig. H

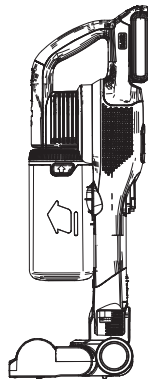


Fig. J

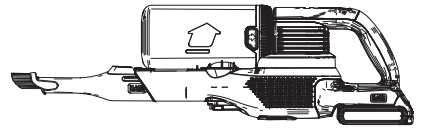


Fig. I

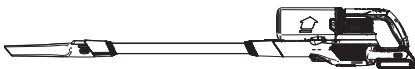


Fig. K

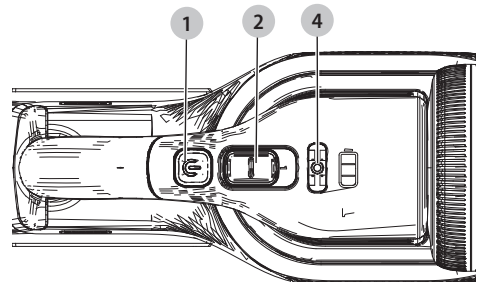


Fig. L

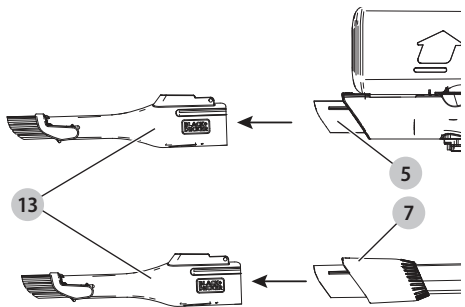


Fig. M

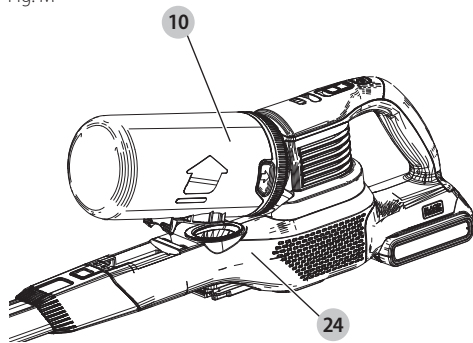


Fig. N

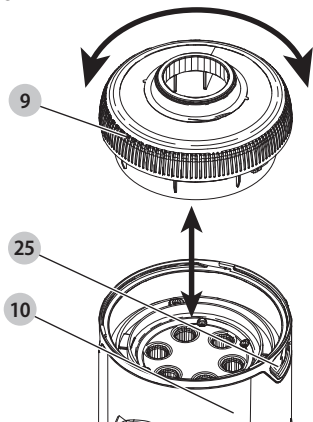


Fig. O

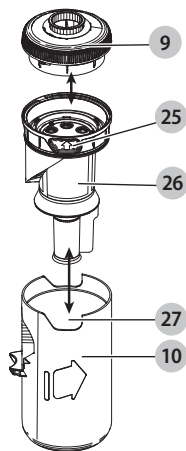


Fig. P

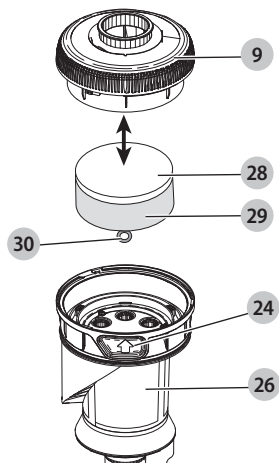


Fig. Q

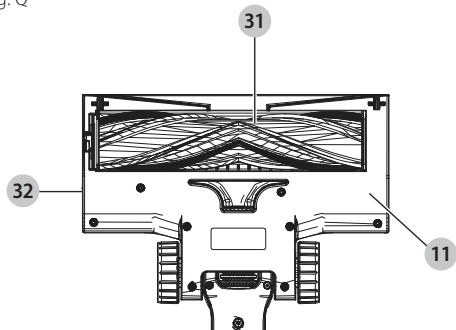
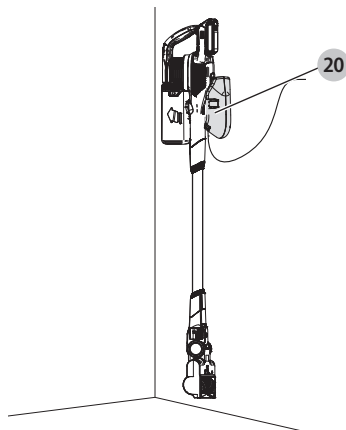


Fig. R



18V 4 IN 1 CORDLESS VACUUM

BHFEB520D

Intended Use

Your BLACK+DECKER vacuum has been designed for vacuuming everyday dry messes. This appliance is intended for household use only. The vacuum cleaner is intended for vacuuming materials that are not harmful to health. This product is NOT to be used for filtering of pathogens, for example COVID-19.

Technical Data

		BHFEB520D
Type		1
Power source		DC
Battery voltage	V_{DC}	18
Weight (without battery pack)	kg	2,80



Read all of this manual carefully before operating the appliance.

Safety Instructions

⚠ WARNING: *Read all safety warnings and all instructions.*

Failure to follow the warnings and instructions may result in electric shock, fire and/or serious injury.

- *The intended use is described in this manual. The use of any accessory or attachment or the performance of any operation with this appliance other than those recommended in this instruction manual may present a risk of personal injury.*
- *Retain this manual for future reference.*

Using Your Appliance

- *Do not use the appliance to pick up liquids or any materials that could catch fire.*
- *Do not use the appliance near water.*
- *Do not immerse the appliance in water.*

- *Never pull the charger lead to disconnect the charger from the socket. Keep the charger lead away from heat, oil and sharp edges.*
- *Keep hair, loose clothing, fingers, and all parts of body away from openings and moving parts.*
- *This appliance can be used by children aged from 8 years and above and persons with reduced physical, sensory or mental capabilities or lack of experience and knowledge if they have been given supervision or instruction concerning use of the appliance in a safe way and understand the hazards involved. Children shall not play with the appliance. Cleaning and user maintenance shall not be made by children without supervision.*

Inspection and repairs

Before use, check the appliance for damaged or defective parts. Check for breakage of parts, damage to switches and any other conditions that may affect its operation.

- *Do not use the appliance if any part is damaged or defective.*
- *Have any damaged or defective parts repaired or replaced by an authorized repair agent.*
- *Regularly check the charger lead for damage. Replace the charger if the lead is damaged or defective.*
- *Never attempt to remove or replace any parts other than those specified in this manual.*

Additional safety instructions

After Use

- *Unplug the charger before cleaning the charger or charging base.*
- *When not in use, the appliance should be stored in a dry place.*
- *Children should not have access to stored appliances.*

Residual Risks

Additional residual risks may arise when using the tool which may not be included in the enclosed safety warnings. These risks can arise from misuse, prolonged use etc. Even with the application of the relevant safety regulations and the implementation of safety devices, certain residual risks can not be avoided. These include:

- *Injuries caused by touching any rotating/moving parts.*
- *Injuries caused when changing any parts, blades or accessories.*
- *Injuries caused by prolonged use of a tool. When using any tool for prolonged periods ensure you take regular breaks.*
- *Impairment of hearing.*
- *Health hazards caused by breathing dust developed when using your tool (example:- working with wood, especially oak, beech and MDF.)*

Chargers

Your charger has been designed for a specific voltage. Always check that the mains voltage corresponds to the voltage on the rating plate.

⚠ WARNING: *Never attempt to replace the charger unit with a regular mains plug.*

- *Use your BLACK+DECKER charger only to charge the battery in the appliance with which it was supplied. Other batteries could burst, causing personal injury and damage.*
- *Never attempt to charge nonrechargeable batteries.*
- *If the supply cord is damaged, it must be replaced by the manufacturer or an authorised BLACK+DECKER service centre in order to avoid a hazard.*
- *Do not expose the charger to water.*
- *Do not open the charger.*
- *Do not probe the charger.*
- *The appliance/battery must be placed in a well ventilated area when charging.*

Electrical Safety

Symbols on the charger



Read all of this manual carefully before using the appliance.



This tool is double insulated; therefore no earth wire is required. Always check that the power supply corresponds to the voltage on the rating plate.



The charging base is intended for indoor use only.

Chargers

BLACK+DECKER chargers require no adjustment and are designed to be as easy as possible to operate.

BLACK+DECKER chargers are designed to charge BLACK+DECKER battery packs.

NOTE: To ensure maximum performance and life of lithium ion battery packs:

- Fully charge the battery pack before first use.
- Recharge discharged batteries as soon as possible after every use.
- Do not fully discharge batteries.



WARNING: *Only charge batteries in air temperature over 4.5 °C (40 °F) and below +40.5 °C (105 °F).*

The charger will not charge a faulty battery pack, which may be indicated by the light staying OFF or the red light rapidly blinking. Take charger and battery pack to an authorized service centre if light stays OFF or red light rapidly blinks.

NOTE: Refer to label near charging light on charger for blink patterns.

Important Charging Notes

1. The charger and battery pack may become warm to the touch while charging. This is a normal condition, and does not indicate a problem. To facilitate the cooling of the battery pack after use, avoid placing the charger or battery pack in a warm environment such as in a metal shed or an uninsulated trailer.
2. If the battery pack does not charge properly:
 - a. Check operation of receptacle by plugging in a lamp or other appliance;
 - b. Check to see if receptacle is connected to a light switch which turns power off when you turn out the lights;
 - c. If charging problems persist, take the tool, battery pack and charger to your local service centre.
3. You may charge a partially used pack whenever you desire with no adverse effect on the battery pack.

SAVE THESE INSTRUCTIONS FOR FUTURE USE

Charging a Battery (Fig. C–E)

The supplied charger offers three possible ways to charge your battery.

- Cup charging
- Wall mounted cup charging
- Unit wall mounted charging

Standard cup charging (Fig. C)

1. Plug the charger into an appropriate outlet before inserting the battery pack **16**.
2. Insert the battery pack into the cup charger **19**.
3. The green LED will flash indicating that the battery is being charged.
4. The completion of charge is indicated by the green LED remaining on continuously. The pack is fully charged and may be used at this time or left on the charger.

Wall mounted cup charging (Fig. D)

1. Mark the location of the charging station screw holes on the wall (within reach of an electrical outlet for charging the vacuum while it is on the charging station **20**).
2. Secure the charging station **20** to the wall using appropriate screws and plugs for the type of wall, and weight of the appliance.
3. Install the cup charger **19** into the charging station **20** (Fig. D). Ensure it is locked into place before proceeding.

NOTE: To remove the cup charger from the charging base pull out on the retaining tabs **21** and lift the cup charger **19** out.
4. Plug the charger into an appropriate outlet before inserting the battery pack.
5. Slide the battery pack **16** onto the charging station **20**.

Wall mounted vacuum storage and battery charging (Fig. E)

The product can be attached to a wall to provide a convenient storage and charging point for the appliance. When mounting to a wall, make sure the mounting method is suitable for the wall type and is appropriate to the weight of the appliance.

1. Follow the instructions in the **Wall mounted cup charging** section for instructions on mounting the charging station **20** to a wall.
2. With the battery **16** installed on the vacuum slide the charge port **6**, located on the vacuum base, onto the slots **22** of the charging station.
3. The white LED on the vacuum will flash indicating that the battery is being charged.
4. The white LEDs will illuminate in segments, displaying the state of charge in the battery.
5. The completion of charge is indicated by the white LEDs will turn off. The pack is fully charged and may be used at this time or left on the charger.

Wall mounted vacuum storage and battery charging (Fig. E)

The product can be attached to a wall to provide a convenient storage and charging point for the appliance. When mounting to a wall, make sure the mounting method is suitable for the wall type and is appropriate to the weight of the appliance.

1. Mark the location of the charging station screw holes on the wall (at a height that allows the unit to hang without hitting the floor and within reach of an electrical outlet for charging the vacuum while it is on the charging station **20**).
2. Fix the charging station **20** to the wall using appropriate screws and plugs for the type of wall, and weight of the appliance.
3. Install the cup charger **19** into the charging station (Fig. D). Ensure it is locked into place before proceeding.

NOTE: To remove the cup charger from the charging base pull out on the retaining tabs **21** and lift the cup charger out.
4. Plug the charger into an appropriate outlet.
5. With the battery **16** installed on the vacuum slide the charge port **6**, located on the vacuum base, onto the slots **22** of the charging station.
6. The white LED on the vacuum will flash indicating that the battery is being charged.
7. The white LEDs will illuminate in segments, displaying the state of charge in the battery.
8. The completion of charge is indicated by the white LEDs will turn off. The pack is fully charged and may be used at this time or left on the charger.

Battery Type

The BHFEB520D operates on a 18 volt battery pack.

These battery packs may be used: BL1518, BL1518ST, BL2018, BL2018ST, BL2518, BL4018, BL5018.

Markings on Appliance

The following symbols appear on this appliance along with the date code.



Read instruction manual before use.



Keep hair away from brushes, openings and other moving parts.



BHFEB520D uses charger S010**2400040/SSC-250040**.

Date Code Position (Fig. B)

The production date code **33** consists of a 4-digit year followed by a 2-digit week and is extended by a 2-digit factory code.

Features (Fig. A)

This tool includes some or all of the following features.

- 1 ON/OFF button
- 2 Variable power switch
- 3 Main handle
- 4 Floorhead ON/OFF button
- 5 Vacuum inlet
- 6 Charge port
- 7 Extension tube
- 8 Accessory release latch
- 9 Dust canister cap
- 10 Lift away dust canister
- 11 Floorhead
- 12 LED worklight
- 13 2 in 1 brush
- 14 Crevice tool
- 15 Pet hair tool
- 16 Battery pack
- 17 Battery release button
- 18 Charger plug
- 19 Cup Charger
- 20 Charging station
- 21 Retaining tabs
- 22 Charging station slots
- 23 Accessory storage clip

Assembly (Fig. F)



WARNING: *When not in use position the unit with the rear of the vacuum facing a wall so that any inadvertent fall of the unit would contact a wall and not people or pets.*

1. Align the top of the extension tube **7** with the vacuum inlet **5** as shown in Fig. F.
2. Push the extension tube **7** onto the vacuum inlet **5** so it locks into position.
3. Align the bottom of the extension tube **7** with the floor head **11** as shown in Fig. F.

4. Push the bottom of the extension tube **7** onto the floor head **11** so it locks into position.
5. To remove an accessory, press the extension pole release button **8** located on the vacuum inlet or the bottom of the extension tube and gently pull the connected accessory off.

Inserting and Removing the Battery Pack from the Tool (Fig. E)

NOTE: Make sure your battery pack **16** is fully charged.

To Install the Battery Pack into the Tool Handle

1. Align the battery pack with the rails inside the tool's handle (Fig. E).
2. Slide it into the handle until the battery pack is firmly seated in the tool and ensure that you hear the lock snap into place.

To Remove the Battery Pack from the Tool

1. Press the battery release button **17** and firmly pull the battery pack out of the tool handle.
2. Insert battery pack into the charger as described in the charger section of this manual.

Use (Fig. A, G–J)

This vacuum can be used in one of four ways.

- With the extension tube **7** and the floorhead **11**. (Fig. G)
- With the floorhead **11**. (Fig. H)
- With the extension tube **7** and an accessory tool **15**, **14**, **13**. (Fig. I)
- With an accessory tool **15**, **14**, **13**. (Fig. J)

Switching ON and OFF (Fig. K)

1. To switch ON, push the ON/OFF button **1**.
2. For increased power, slide the variable power switch **2** forward.

NOTE: The state of charge indicator LEDs will illuminate while the vacuum is ON.
3. To switch OFF, press the ON/OFF button **1** a second time.
4. Return the product to the charger immediately after use so that it will be fully charged and ready for the next use.

NOTE: Ensure that the product is fully engaged with the charger plug.

Switching the Floorhead OFF and ON (Fig. K)

- To switch the floorhead OFF, press the Floorhead ON/OFF button **4**.
- To switch the floorhead ON, press the floorhead ON/OFF button **4** a second time.

NOTE: The LED worklights **12** will illuminate whenever the floorhead is switched ON.

Using an Accessory Tool (Fig. L)

Your vacuum may come with some of the following tools.

- Crevice tool.
- 2 in 1 brush
- Pet hair tool.

- The accessories **15**, **14**, **13** can be fitted either directly to the extension tube **7** or to the vacuum inlet **5** as shown in Fig. L.
- Align the top of the accessories **15**, **14**, **13** with the vacuum inlet **5** or extension tube **7** and push into place so it locks into position as shown in Fig. L.

MAINTENANCE

⚠ WARNING: *To reduce the risk of serious personal injury, turn unit off and remove battery pack before making any adjustments or removing/installing attachments or accessories. An accidental start-up can cause injury.*

Cleaning and Emptying the Vacuum

⚠ WARNING: *Projectile/Respiratory Hazard: never use the vac without its filter.*

IMPORTANT: Maximum dust collection will only be obtained with clean filters and an empty dust canister. If dust begins to fall back out of the product after it is switched off, this indicates that the dust canister is full and requires emptying.

NOTE: The filter is re-usable do not throw it away when the product is emptied. We recommend that you replace the filters **29**, **28** every 6–9 months depending on frequency of use.

To Empty the Dust Canister and Remove the Pre-filter (Fig. M–P)

1. Lift and remove the lift away dust canister **10** from the chassis **24** as shown in Fig. M.
2. While over top of a trash can, grip the recessed tabs **25** of the pre-filter **26** and pull upwards to remove the pre-filter with cyclones and dust canister cap **9**.
3. Empty the contents of the dust canister **10**.
4. Tap the pre-filter **26** as necessary to remove any debris.

Inserting Pre-filter (Fig. O)

NOTE: The filter housing fits snugly in the dust canister and may be difficult to remove at first.

1. Install the pre-filter **26** into the dust canister **10** ensuring the dust canister tab **27** aligns with the recessed tabs **25** as shown in Fig. O.
2. Install the dust canister onto the chassis **24**, until it clicks firmly into position.

Removing filters (Fig. M–P)

1. Lift and remove the lift away dust canister **10** from the chassis **24** as shown in Fig. M.
2. Unscrew the dust canister cap **9** anticlockwise and lift off the dust canister **10**.
3. Remove the foam filter **29** and felt filter **28** by pulling on the plastic loop **30**.

Cleaning the filters

1. Once the filters and pre-filter are removed from the dust canister **10** shake off or lightly brush any loose dust from the pre-filter **26** and foam filter **29** and felt filter **28**.

2. Rinse out the dust canister **10** with warm soapy water.
 3. Wash the foam filter **29** and felt filter **28** with warm soapy water.
 4. Ensure the foam filter **29** and felt filter **28** are completely dry before refitting the filters into the dust canister cap **9**.
 5. Once the filters **29**, **28** are clean and completely dry, place them inside the dust canister cap **9** with the white felt **28** side in the upwards position.
- NOTE:** The black foam **29** side will be visible when looking into the dust canister cap from the underside.
6. With the filters **29**, **28** fitted, screw the dust canister cap **9** clockwise onto the pre-filter **26**.
 7. The pre-filter **26** can now be inserted into the lift away dust canister **10** according to instructions in the **Inserting Pre-Filter** section.

• IMPORTANT:

- Wash the filters regularly using warm, soapy water and ensure that it is completely dry before using again. The cleaner the filter is, the better the product will perform.
- It is very important that the filters are completely dry and correctly in position before use.

Removing and Cleaning the Rotary Brushes (Fig. Q)

⚠ WARNING: *To reduce the risk of injury from moving parts, disconnect the floor head and extension tube from the vacuum before cleaning or servicing.*

1. To remove the rotary brush **31** from the floorhead **11** slide the release latch **32** towards the rear of the floorhead **11**.
2. With the rotary brush **31** released from the floorhead **11**, grab and lift the rotary brush **31** completely out of the floorhead **11** to clean.
3. Wipe away any dust or debris on the rotary brush **31**.
4. Reinstall the rotary brush **31** into the floorhead **11** by aligning the keyed end of the rotary brush **31** with the gear located in the floorhead **11**.
5. Align the squared end of the rotary brush **31** with the square slot on the floorhead **11**.
6. Press firmly on the rotary brush **31** to secure it into the floorhead **11**. Ensure you hear an audible click as the release latch **32** snaps into its locked position.

Replacement Filter

The filter should be replaced every 6 to 9 months and whenever worn or damaged. Replacement filters are available from your BLACK+DECKER service centre.

Visit www.2helpu.com to locate a service centre.

Cleaning

⚠ WARNING: *Before performing any maintenance on cordless appliance remove the battery.*

- Unplug the charger before cleaning it. Your charger does not require any maintenance apart from regular cleaning.
- Regularly clean the ventilation slots in your appliance/charger using a soft brush or dry cloth.
- Regularly clean the motor housing, using a damp cloth.
- Do not use any abrasive or solvent-based cleaner.

Safe Storage (Fig. R)

The unit can be safely stored, when not in use, by placing the catch on the rear of the motor unit onto the charging station **20** as shown in Fig. R.

Troubleshooting

If the product does not work, check the following:

Problem	Possible Cause	Possible solution
Unit will not start.	Battery pack not charged.	Check battery pack charging requirements.
	Blockage.	Check floorhead tube. Check extension tube. Check between extension tube and bowl.
Battery pack will not charge.	Charger not plugged in.	Plug charger into a working outlet. Refer to Important Charging Notes for more details.
	Surrounding air temperature too hot or too cold.	Move charger and battery pack to an area above 4 °C or below +40 °C.
Rotary brush stops working.	Obstruction.	The unit is equipped with a rotary brush overload protection feature. (See Removing and Cleaning the Rotary Brushes section.)
Vacuum performance is poor.	Clogged dust bowl.	Empty the dust bowl. (See Cleaning and Emptying the vacuum section.)
	Filters are dirty.	Clean the filters. (See Cleaning and Emptying the vacuum section.)
	Rotary brush	Clean the rotary brush. (See Removing and Cleaning the Rotary Brushes section.)

Guarantee

Black & Decker is confident of the quality of its products and offers consumers a 24-month guarantee from the date of purchase.

This guarantee is in addition to and in no way prejudices your statutory rights.

The guarantee is valid within the territories of the Member States of the European Union and the European Free Trade Area and the United Kingdom.

To claim on the guarantee, the claim must be in accordance with Black&Decker Terms and Conditions and you will need to submit proof of purchase to the seller or an authorised repair agent.

Terms and conditions of the Black&Decker 2-year guarantee and the location of your nearest authorised repair agent can be obtained on the Internet at www.2helpU.com, or by contacting your local Black & Decker office at the address indicated in this manual.

Please visit our website www.blackanddecker.co.uk to register your new Black & Decker product and receive updates on new products and special offers.

Protecting the Environment



Separate collection. Products and batteries marked with this symbol must not be disposed of with normal household waste.

Products and batteries contain materials that can be recovered or recycled, reducing the demand for raw materials. Please recycle electrical products and batteries according to local provisions. Further information is available at www.2helpU.com.

België/Belgique/Luxembourg www.blackanddecker.be enduser.be@sbdinc.com	Stanley Black & Decker Belgium BVBA Egide Walschaertsstraat 16 2800 Mechelen	Tel. NL +32 15 47 37 65 Tel. FR +32 15 47 37 66 Fax. +32 15 47 37 99
Danmark	Black & Decker Roskildevej 22 2620 Albertslund	kundeservice.dk@sbdinc.com www.blackanddecker.dk
Deutschland www.blackanddecker.de infobdgc@sbdinc.com	Stanley Black & Decker Deutschland GmbH Black & Decker Str. 40, D - 65510 Idstein	Tel. 06126 21-0 Fax 06126 21-2980
Ελλάδα www.blackanddecker.gr greece.service@sbdinc.com	Stanley Black & Decker (ΕΛΛΑΣ) Ε.Π.Ε ΓΡΑΦΕΙΑ: Σπύριδωνος 7 & Βουλιαγμένης 166 74 Γλυφάδα - Αθήνα	Τηλ. 210-8981616 Φαξ 210-8983570
SERVICE:	Ημερος Τόπος 2 -Χάνι Αδάμ 193 00 Ασπρόπυργος - Αθήνα	Τηλ. Service 210-8985208 Φαξ 210-5597598
España www.blackanddecker.es respuesta.posventa@sbdinc.com	Stanley Black & Decker Ibérica, S.C.A. Parc de Negocis "Mas Blau" Edificio Muntadas, c/Bergadà, 1, Of. A6 08820 El Prat de Llobregat (Barcelona)	Tel. 934 797 400 Fax 934 797 419
France www.blackanddecker.fr	Stanley Black & Decker. 62 chemin de la Bruyère 69570 Dardilly, France	Tel. 04 72 20 39 20 Fax 04 72 20 39 00
Helvetia www.blackanddecker.ch service@rofoag.ch	ROFO AG Gewerbezone Seeblick 3213 Kleinbösingen	Tel. 026-6749393 Fax 026-6749394
Italia www.blackanddecker.it service.italia@sbdinc.com	Stanley Black & Decker Italia Via Energypark 6 20871 Vimercate (MB)	Tel. 039-9590200 Fax 039-9590313 Numero verde 800-213935
Nederland www.blackanddecker.nl enduser.nl@sbdinc.com	Stanley Black & Decker Netherlands BV Holtum Noordweg 35, 6121 RE BORN Postbus 83, 6120 AB BORN	Tel. +31 164 283 065 Fax +31 164 283 200
Norge	Black & Decker Postboks 4613, Nydalen 0405 Oslo	kundeservice.no@sbdinc.com www.blackanddecker.no
Österreich www.blackanddecker.at service.austria@sbdinc.com	Stanley Black & Decker Austria GmbH Oberlaaerstraße 248, A-1230 Wien	Tel. 01 66116-0 Fax 01 66116-614
Portugal www.blackanddecker.pt resposta.posvenda@sbdinc.com	Black & Decker Limited SARL Quinta da Fonte - Edifício Q55 D. Diniz Rua dos Malhões, 2 e 2A - Piso 2 Esquerdo 2770 - 071 Paço de Arcos	Tel. 214667500 Fax 214667580
Suomi	Black & Decker PL47 00521, Helsinki	asiakaspalvelu.fi@sbdinc.com www.blackanddecker.fi
Sverige	Black & Decker AB Box 94, 431 22 Mölndal	kundservice.se@sbdinc.com www.blackanddecker.se
Türkiye www.blackanddecker.com.tr	KALE Hırdavat ve Makina A.Ş. Defferdar Mah. Savaklar Cad. No:15 Edimekapı / Eyüp / İstanbul 34050	Tel. 0212 533 52 55 Fax. 0212 533 10 05
United Kingdom & Republic Of Ireland www.blackanddecker.co.uk emeaservice@sbdinc.com	Black & Decker 270 Bath Road Slough, Berkshire SL1 4DX	Tel. 01753 511234 Fax 01753 512365
Middle East & Africa www.blackanddecker.ae service.mea@sbdinc.com	Black & Decker P.O.Box - 17164 Jebel Ali Free Zone (South), Dubai, UAE	Tel. +971 4 8863030 Fax +971 4 8863333