

OUTCAST[™]

OUTDOORS

CORN FEEDER

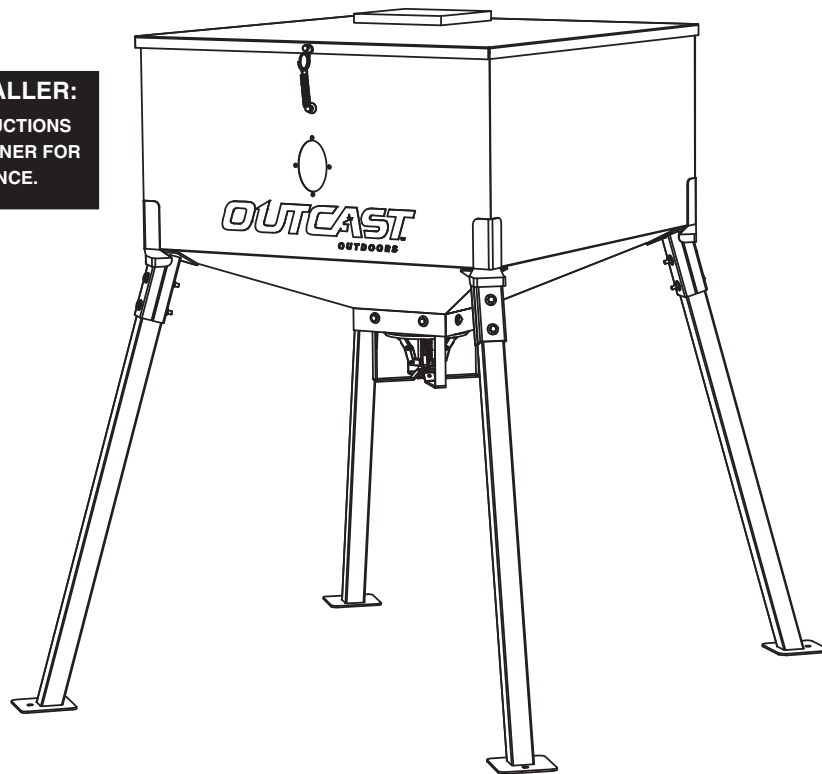
OWNER'S MANUAL

ASSEMBLY AND OPERATING INSTRUCTIONS

SAVE THIS MANUAL FOR FUTURE REFERENCE

Model FDR0350ASX

NOTICE TO INSTALLER:
LEAVE THESE INSTRUCTIONS
WITH THE FEEDER OWNER FOR
FUTURE REFERENCE.



IMPORTANT SAFETY WARNINGS

WE WANT YOU TO ASSEMBLE AND USE YOUR FEEDER AS SAFELY AS POSSIBLE.

THE PURPOSE OF THIS SAFETY ALERT SYMBOL 

**IS TO ATTRACT YOUR ATTENTION TO POSSIBLE HAZARDS AS YOU ASSEMBLE AND USE YOUR FEEDER.
WHEN YOU SEE THE SAFETY ALERT SYMBOL, PAY CLOSE ATTENTION TO THE INFORMATION WHICH FOLLOWS!**

** READ ALL SAFETY WARNINGS AND INSTRUCTIONS CAREFULLY
BEFORE ASSEMBLING AND OPERATING YOUR FEEDER.**

WARNING

- You should never attempt to assemble this feeder alone. We recommend having a minimum of at least two adults for the assembly of this feeder. Failure to follow these instructions may result in serious injury or death.
- This feeder must be placed on firm and level ground. Before filling the feeder, we recommend installing ground stakes (not included) through the holes located in the feet.
- Refer to the drawings in this manual for visualization of the assembly process in addition to reading the instructions.
- Some parts may contain sharp edges. Wear appropriate clothing and gloves during assembly.
- Do not fill feeder under and/or during bad weather such as storms, snow, lightning, or thunderstorms. Failure to follow these instructions may result in serious injury or death.
- Do not sit or stand on or inside the hopper.
- Do not fill feeder until it is completely assembled and standing up in place.
- Make sure hands and arms are out of the way of the feeder body and lid when filling the feeder. Failure to follow these instructions may result in serious injury.
- BEFORE STANDING UP THE FEEDER, YOU MUST:
 - Check all hardware to be sure it is in place and tightened.
 - Check all bolts and nuts to be sure they are secure and tight.

IMPORTANT! The manufacturer of this feeder is not responsible for any inaccurate information you have received regarding state feeding regulations. Please always keep your information up-to-date and reliable. Many state laws change and are amended without notice. Always double check your state and specific county feeding laws regarding the use of feeders.

- Contact your local or state wildlife agency if you have any questions concerning feeding wildlife.

USE CAUTION AND COMMON SENSE WHEN OPERATING YOUR FEEDER.

**FAILURE TO ADHERE TO SAFETY WARNING AND GUIDELINES IN THIS MANUAL COULD RESULT
IN BODILY INJURY OR PROPERTY DAMAGE.**

SAVE THIS MANUAL FOR FUTURE REFERENCE.

ASSEMBLY INSTRUCTIONS

⚠ READ ALL SAFETY WARNINGS & ASSEMBLY INSTRUCTIONS CAREFULLY BEFORE ASSEMBLING OR OPERATING YOUR FEEDER.

FOR MISSING PARTS, PLEASE CALL CUSTOMER SERVICE AT 855-735-9922.

Inspect contents of the box to ensure all parts are included and undamaged.

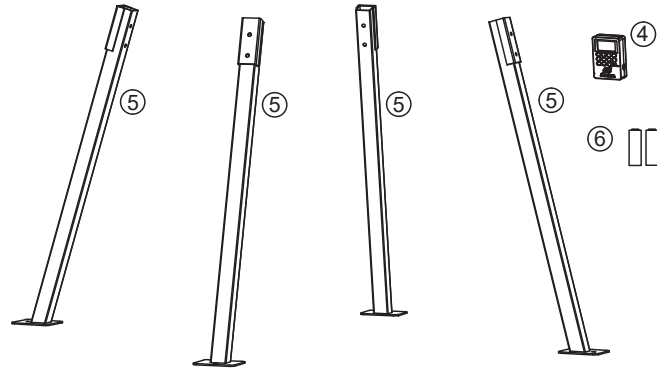
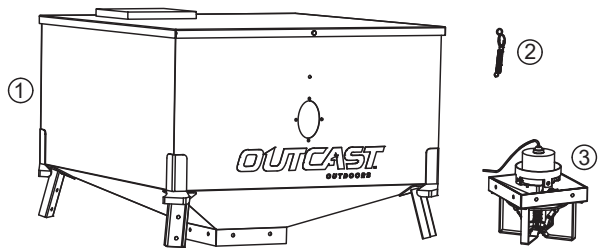
We recommend two people work together when assembling this unit.

The following tools are required (not included) to assemble this Corn Feeder:

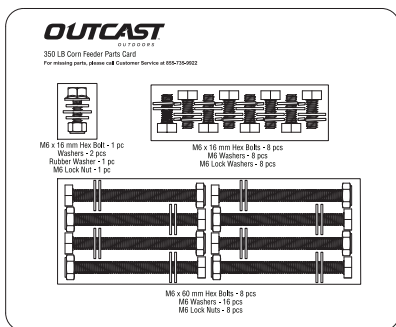
- Pliers
- Phillips & Flathead Screwdrivers
- Adjustable Wrench

Part Contents:

- ① 1 Hopper
- ② 1 Spring Latch
- ③ 1 Motor Assembly
- ④ 1 Timer
- ⑤ 4 Legs
- ⑥ 2 AA Batteries



Component Pack Contents:

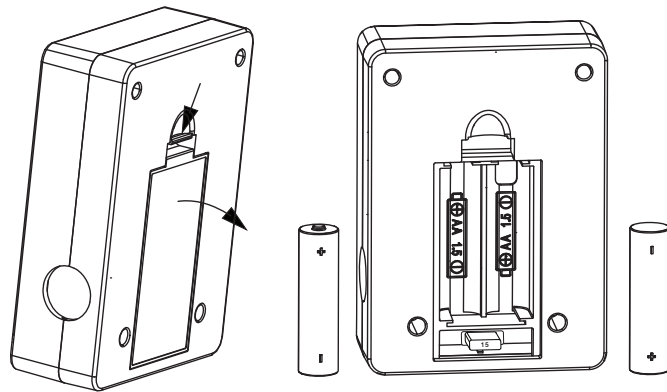


Choose a good, cleared assembly area and get a friend to help you put your feeder together. Lay cardboard down to protect feeder finish and assembly area.

Step 1

Install 2 AA batteries (included) in back of timer. Set aside for later use.

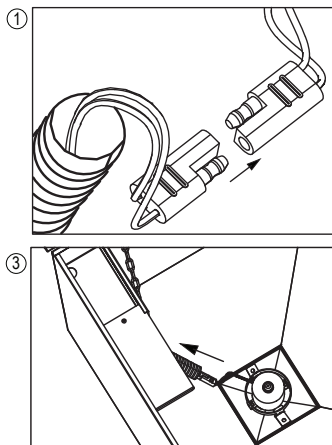
Note: Make sure to use only alkaline batteries and to replace both batteries at the same time. Do not mix old and new batteries.



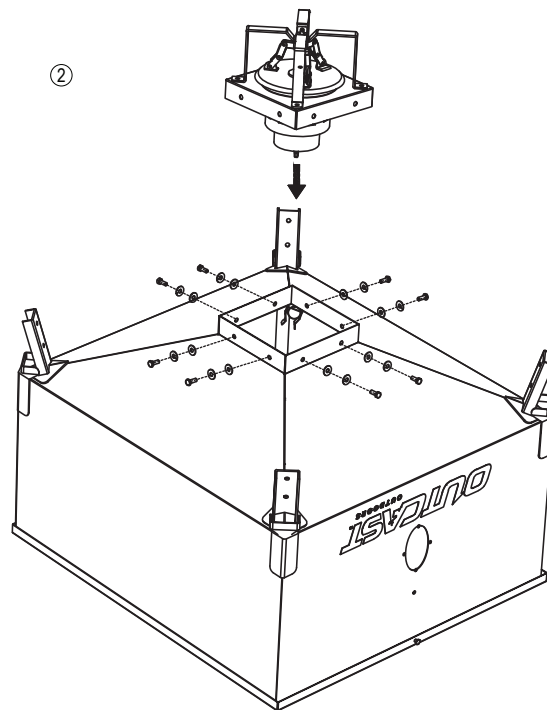
Step 2

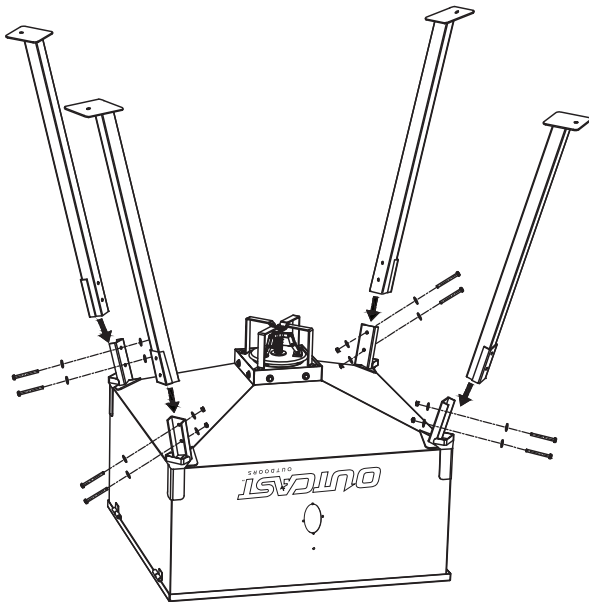
Lay hopper on its lid and connect motor assembly to battery wire harness, then attach motor assembly to bottom of hopper using eight M6 x 16 mm hex bolts and lock washers and washers.

Note: Feed wire connectors inside plastic conduit.



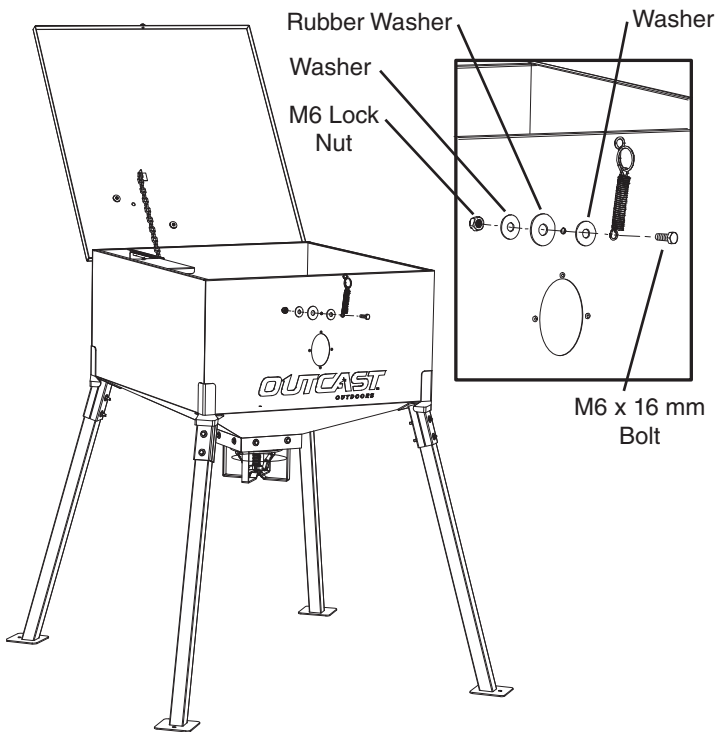
3





Step 3

Attach legs to hopper using eight M6 x 60 mm hex bolts, sixteen M6 washers and eight M6 lock nuts. Turn feeder into the upright position.

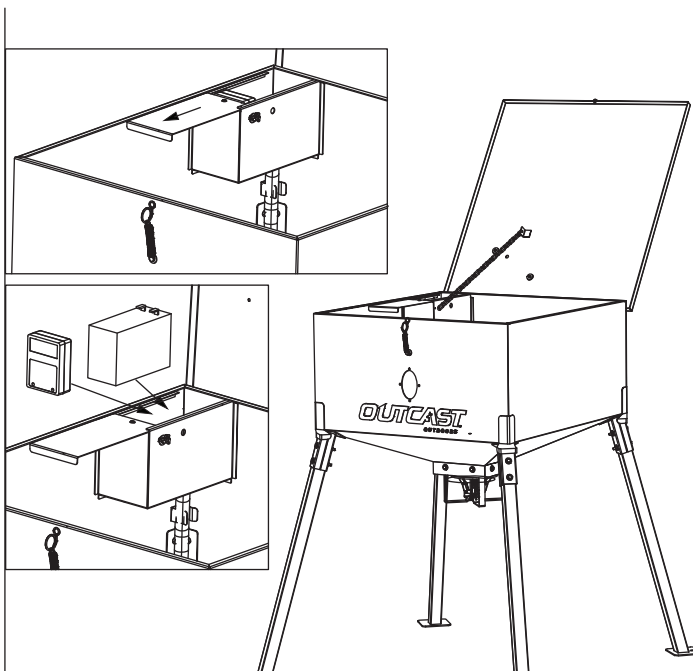


Step 4

Attach spring latch to front of hopper using one M6 x 16 mm bolt, two washers, one rubber washer and M6 lock nut.

Step 5

Slide component cover back and insert timer and 12 volt battery (not included).



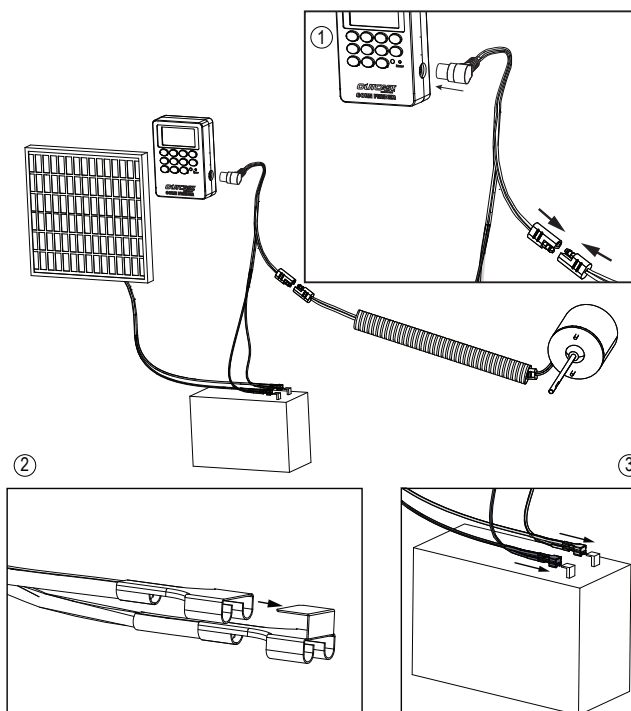
Step 6

Connect wire (from motor) to timer plug wire and insert plug into timer.

Attach red piggyback connector from timer to red connector from solar panel together. Then attach black piggyback connector from timer to black connector from solar panel together.

Attach red connectors to (+) positive terminal on battery and attach black connectors to (-) negative terminal on battery.

Note: A test wire is included with your product for troubleshooting purposes only. DO NOT attach the test wire during this time. Please follow the TROUBLESHOOTING INSTRUCTIONS for the test wire.



OPERATING INSTRUCTIONS

**⚠ PLACE THE FEEDER OUTDOORS ON A HARD, LEVEL SURFACE
IN AN AREA THAT IS PROTECTED FROM THE WIND.**

**⚠ READ ALL SAFETY WARNINGS AND INSTRUCTIONS CAREFULLY
BEFORE OPERATING YOUR FEEDER.**

- The proper spacing between the spinner plate and the funnel plate should be around 1/8 inch. This is very important for service free operation.
- To test your feeder, follow the instructions on the back of the timer.

How to Load Your Feeder:

- Open the lid and pour feed into the hopper. After filling, carefully close the lid and install the latch.
- What kind of feed to use – whole kernel corn is recommended. Corn mixed with soybeans, pelleted feed, and milo is also effective for attracting deer and other wildlife.

Note: When not mixed with corn, some types of pelleted feed can take on moisture and clog the feeder.

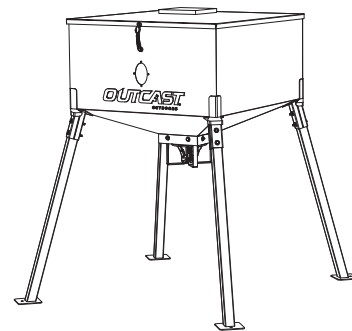
How to Install Your Battery:

- Slide the door open and install a 12 volt battery (not included). The red clip goes to the (+) positive terminal and the black clip goes to the (-) negative terminal.

How to Operate the Timer:

- Read the instructions located on the back of the timer.
- Inspect feeder for any loose parts or hardware.
- If rust appears on the exterior surface of the feeder, clean and buff the affected areas with a stiff bristle brush or steel wool. Then, touch-up the area with a good quality paint.
- Always store excess feed indoors and check the quality of the feed before pouring it into feeder.

Instructions



Proper Care & Maintenance

Troubleshooting

- Check the battery level showing on the timer display. If the battery is showing 2 bars or less, it needs to be replaced. You can also use a volt meter to check the voltage.
- Check the solar panel using a volt meter to ensure the solar panel is reading more than 12 volts when in full direct sunlight.
- If your battery is fully charged, you can check if the motor is working properly. Directly connect the motor to the battery using the test wire. Connect the wire ends to each battery terminals, if the motor is working, the spinner plate will spin immediately.
- If your battery, solar panel and motor are working properly the issue will be the timer. The timer should be replaced.

For Feeder accessories, please visit us at www.outcastoutdoors.com

Supplier's Declaration of Conformity
47 CFR § 2.1077 Compliance Information

Unique Identifier: Model Number#: FDR0350ASX

Responsible Party - U.S. Contact Information

Fair Game LLC
3204 Skylane Dr.
Carrollton, TX 75006
972-735-9922

FCC Compliance Statement

This device complies with Part 15 of the FCC Rules. Operation is subject to the following two conditions: (1) This device may not cause harmful interference, and (2) this device must accept any interference received, including interference that may cause undesired operation.

Note: This equipment has been tested and found to comply with the limits for a Class B digital device, pursuant to part 15 of the FCC Rules. These limits are designed to provide reasonable protection against harmful interference in a residential installation. This equipment generates, uses and can radiate radio frequency energy and, if not installed and used in accordance with the instructions, may cause harmful interference to radio communications. However, there is no guarantee that interference will not occur in a particular installation. If this equipment does cause harmful interference to radio or television reception, which can be determined by turning the equipment off and on, the user is encouraged to try to correct the interference by one or more of the following measures:

- Reorient or relocate the receiving antenna.
- Increase the separation between the equipment and receiver.

Connect the equipment into an outlet on a circuit different from that to which the receiver is connected. Consult the dealer or an experienced radio/TV technician for help.

Warning: Any changes or modifications to this unit not expressly approved by the party responsible for compliance could void the user's authority to operate the equipment.

1-YEAR LIMITED WARRANTY

For 1-year from date of purchase, Fair Game Group warrants the Corn Feeder against defects due to workmanship or materials to the original purchaser.

Fair Game Group's obligations under this warranty are limited to the following guidelines:

- This warranty does not cover feeders that have been altered/modified or damaged due to: normal wear, rust, abuse, improper maintenance and/or improper use.
- This warranty does not cover surface scratches or sun damage to the finish, which is considered normal wear.
- Fair Game Group may elect to repair or replace damaged units covered by the terms of this warranty.
- This warranty extends to the original purchaser only and is not transferable or assignable to subsequent purchasers.

Fair Game Group requires reasonable proof of purchase. Therefore, we strongly recommend that you retain your sales receipt or invoice. To obtain replacement parts for your Corn Feeder under the terms of this warranty, please call Customer Service Department at 855-735-9922 for a **Return Authorization Number** and further instructions. **A receipt or proof of purchase will be required.** Fair Game Group will not be responsible for any feeders forwarded to us without prior authorization.

EXCEPT AS ABOVE STATED, FAIR GAME GROUP MAKES NO OTHER EXPRESS WARRANTY.

THE IMPLIED WARRANTIES OF MERCHANTABILITY AND FITNESS FOR A PARTICULAR PURPOSE ARE LIMITED IN DURATION TO 1-YEAR FROM THE DATE OF PURCHASE. SOME STATES DO NOT ALLOW LIMITATIONS ON HOW LONG AN IMPLIED WARRANTY LASTS, SO THE ABOVE LIMITATION MAY NOT APPLY TO YOU.

ANY LIABILITY FOR INDIRECT, INCIDENTAL OR CONSEQUENTIAL DAMAGES ARISING FROM THE FAILURE OF THE CORN FEEDER TO COMPLY WITH THIS WARRANTY OR ANY IMPLIED WARRANTY IS EXCLUDED. CUSTOMER ACKNOWLEDGES THAT THE PURCHASE PRICE CHARGED IS BASED UPON THE LIMITATIONS CONTAINED IN THE WARRANTY SET OUT ABOVE. SOME STATES DO NOT ALLOW THE EXCLUSION OR LIMITATION OF INCIDENTAL OR CONSEQUENTIAL DAMAGES, SO THE ABOVE LIMITATION OR EXCLUSION MAY NOT APPLY TO YOU. THIS WARRANTY GIVES YOU SPECIFIC LEGAL RIGHTS, AND YOU MAY ALSO HAVE OTHER RIGHTS WHICH VARY FROM STATE TO STATE.

OM0350ASX
0424

©2024 Fair Game Group LLC.
Carrollton, Texas 75006 U.S.A.
www.outcastoutdoors.com

Owner's Manual for Models
FDR0350ASX