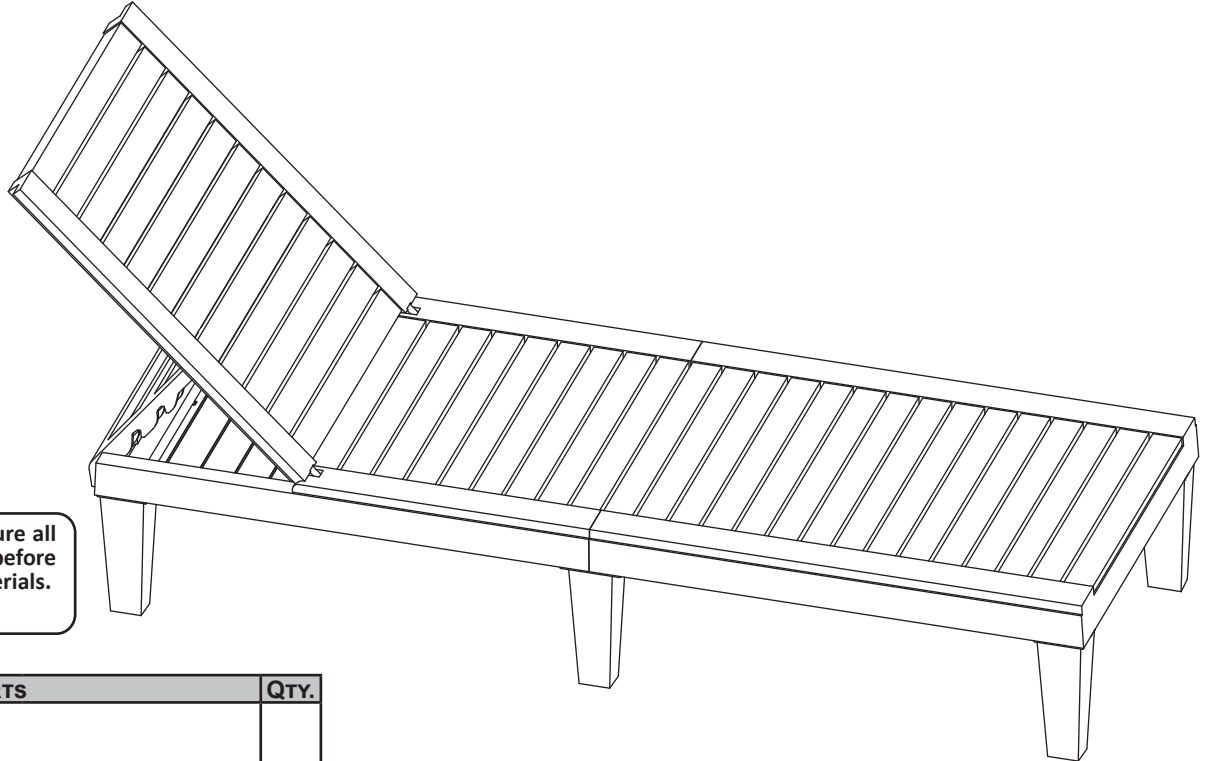

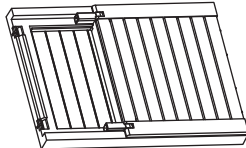

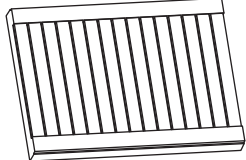




ADJUSTABLE RESIN SUN LOUNGER TST-738

Review all assembly and care information before using this product. Save this manual for future reference.
Assemble components on a soft, clean surface to avoid damaging the finish.



 Inspect packaging to ensure all parts are accounted for before disposing of packing materials. Save the packing slip.

| No. | PARTS | QTY. |
|-----|------------------------------------------------------------------------------------------------------|------|
| B |  Rear Seat Panel | 1 |
| CB |  Backrest | 1 |
| F |  Front Seat Panel | 2 |
| M1 |  Corner Leg | 4 |
| M2 |  Middle Leg | 2 |

HELPFUL HINT

Sunnydaze Decor advises reading this manual fully and assembling the unit soon after purchase. Check that all parts are accounted for and familiarize yourself with the assembly before beginning. Save this manual for future reference.

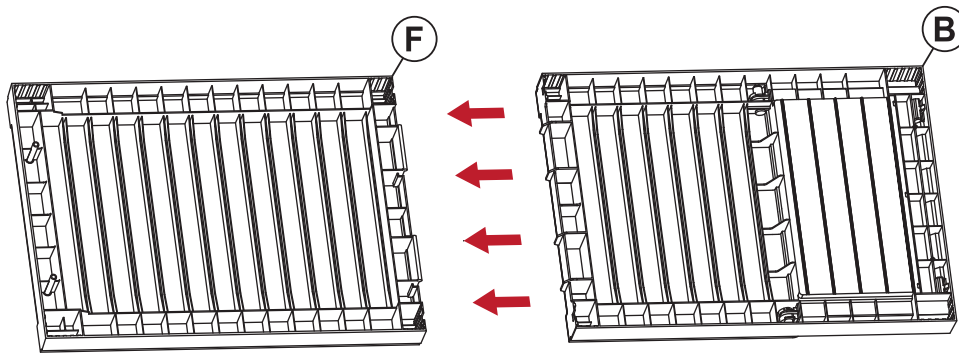
NOTE: Quantities shown are for one lounger.

ASSEMBLY

STEP 1

B: 2

F: 1

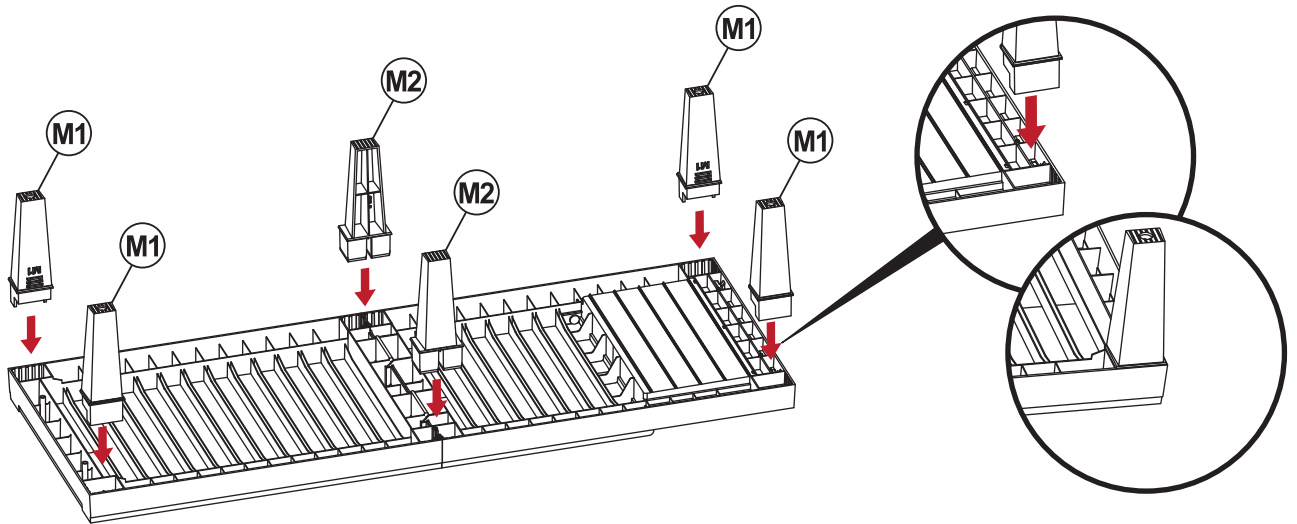


Connect Rear Seat Panel (B) into Front Seat Panel (F).

STEP 2

M1: 4

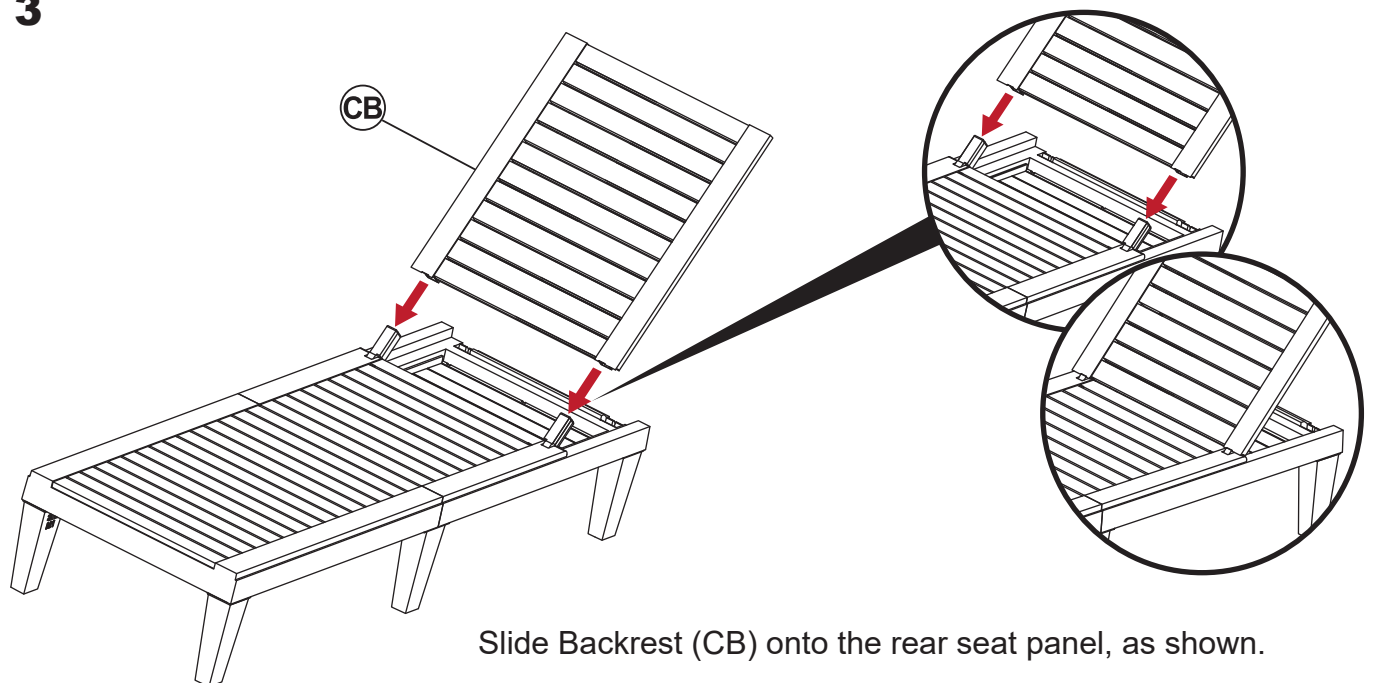
M2: 2



Install four Corner Legs (M1) and two Middle Legs to the underside of the seat panel, as shown.

STEP 3

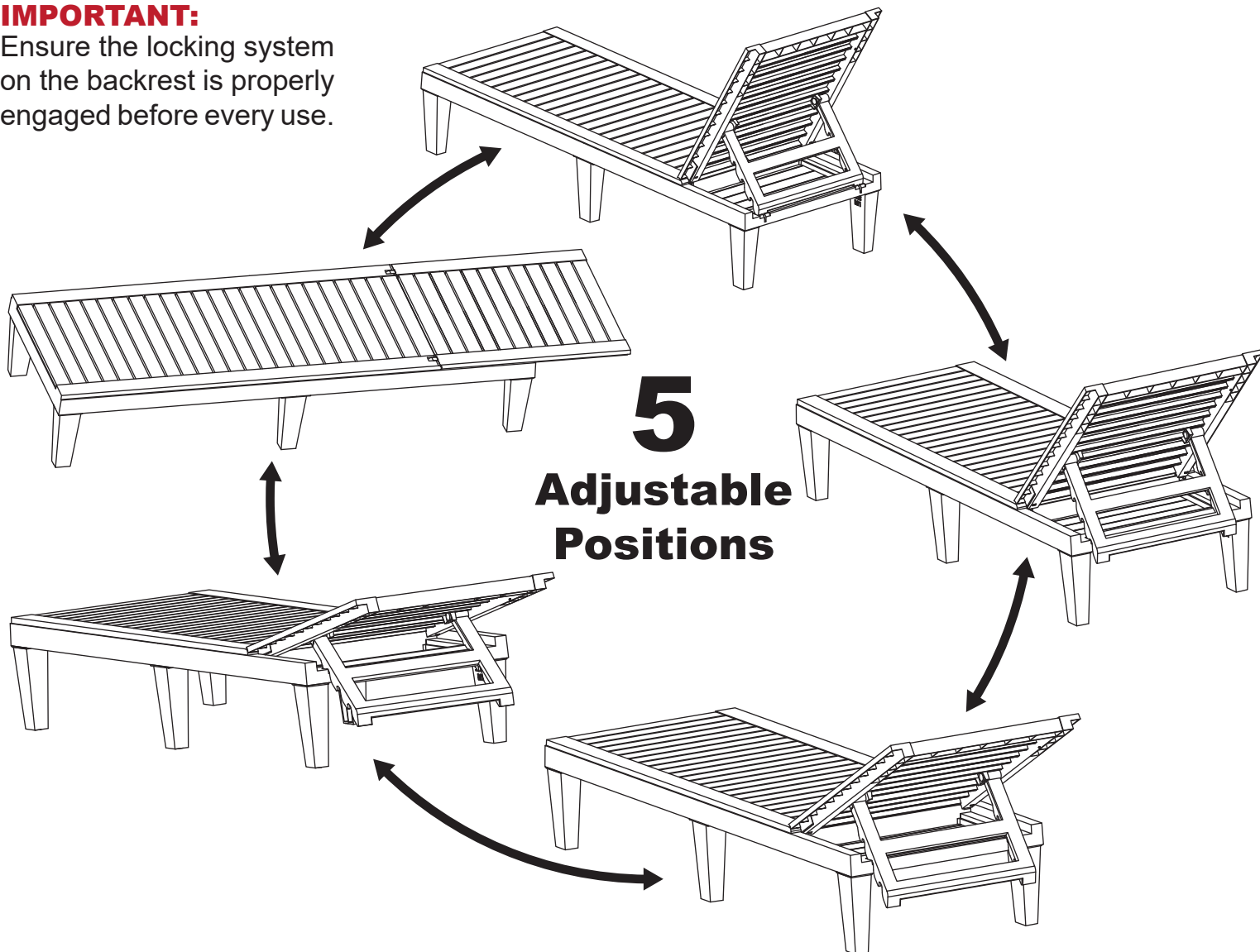
CB: 1



Slide Backrest (CB) onto the rear seat panel, as shown.

IMPORTANT:

Ensure the locking system on the backrest is properly engaged before every use.



Care & Maintenance

SAFE USE: For residential use only. Only use on a flat, level surface. Do not exceed the weight capacity.

CLEAN: Periodically washing the unit will maintain a fresh appearance and prevent damage that may result from the build-up of dust and debris.

EXPOSURE: Over time, sunlight and weather elements fade and degrade resin. Maintain the color and integrity of the unit by covering it with a breathable cover or storing indoors when not in use.

WINTER CARE: Store indoors during freezing conditions. Covering with a breathable cover will help prevent dust and debris build-up.

Cleaning

Regular cleaning keeps your resin furniture looking stunning for many Sunnydaze to come!

Do not use harsh chemicals or abrasive materials to clean the furniture.

 **DO NOT USE BLEACH**

 **DO NOT USE A PRESSURE WASHER**

- Brush, vacuum, or use a garden hose to remove loose dirt and debris.
- Mix 1/4 cup of soap or a mild detergent with 1 gallon of warm water and hand-wash with a cloth. For stubborn stains, use a soft-bristle brush to scrub dirt and grime from the surfaces.
- Thoroughly rinse the unit; spray with a garden hose or use a bucket of water to rinse all traces of soap residue from the unit.
- To prevent water spots, dry with a soft, lint-free cloth.

SAFETY STATEMENTS & WARNINGS

- Do not stand on any part of this unit.
- Do not exceed the weight capacity of the unit.
- Keep furniture a safe distance from heat sources such as fire pits, patio heaters, and grills.
- Do not allow children to use this product unsupervised.
- Do not use harsh chemicals or abrasive materials to clean this unit.
- Do not use resin furniture during freezing temperatures.
- This product is for residential use only; institutional or commercial use will void this warranty.

Any modification to the product or failure to follow recommended care will void the product warranty.

If you experience issues with assembly or the product was damaged during shipping, please contact our customer service team through one of the methods mentioned at the top of page 1.

Please have the item number and order information ready to expedite response time.

WARNING!

Manufacturer and seller expressly disclaim any and all liability from personal injury, property damage or loss, whether direct or indirect, or incidental, resulting from the incorrect attachment, improper use, inadequate maintenance, or neglect of this product.