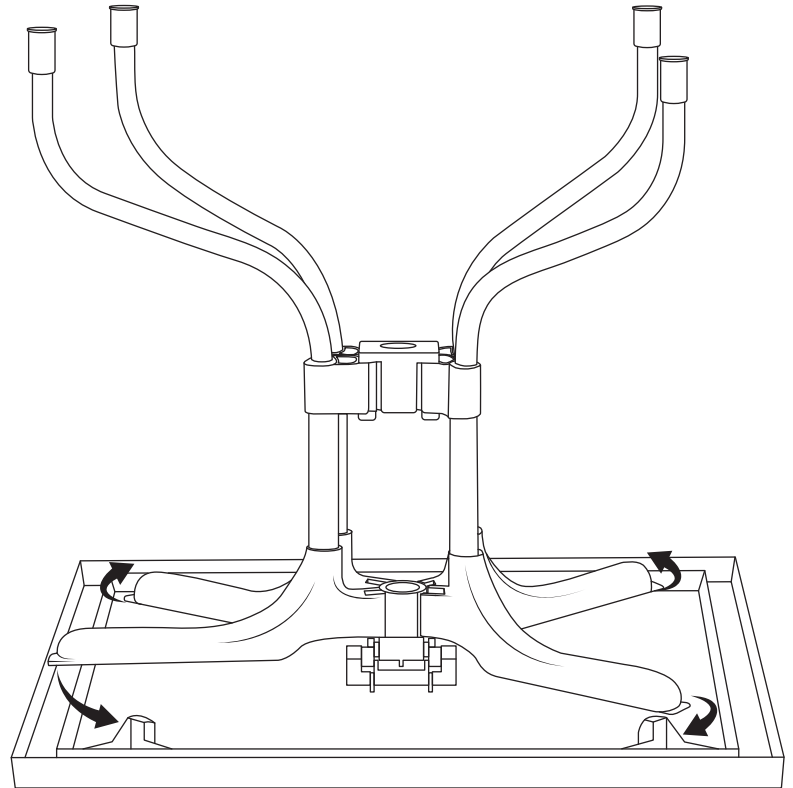
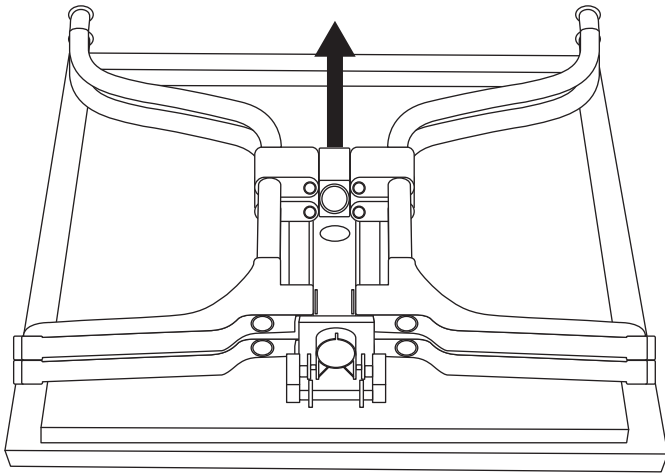
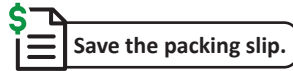


# FOLDABLE TABLE WITH CURVED LEGS SUP-370

Review all assembly and care information before using this product. Save this manual for future reference.



Lay the table face-down on a soft, clean surface.

Slide the leg assembly toward the outside of the table, as shown.

Flip the legs upright.

Align the legs with the corners of the table. Insert the tab on each legs into the designated mounting groove.

# CARE & MAINTENANCE

**SAFE USE:** Never sit, stand or climb on the table. Do not exceed the weight capacity of the table. Do not place hot items directly on the table surface.

**COVER:** When not in use, cover with a breathable cover to help protect the unit from dust build-up, collecting debris, and the effects of long-term sun exposure.

**WINTER CARE & STORAGE:** Protect this item from inclement weather, especially high winds, hail, ice and snow. Move the table to a dry, indoor location. Cover while in storage to help prevent dust build-up.

## CLEANING

*Do not use harsh chemicals or abrasive materials to clean the table.*

 DO NOT USE BLEACH

 DO NOT USE A PRESSURE WASHER

Remove loose dust and debris with a soft, dry cloth.

Mix mild soap with warm water and wash the unit using a soft cloth.

Thoroughly rinse away all soap residue with clean water.

To prevent water spots, dry with a soft, lint-free cloth.

## SAFETY STATEMENTS & WARNINGS

- Do not exceed the weight capacity.
- Never sit, stand, or climb on the table.
- Inspect hardware often, tighten loose hardware before use.
- Do not put hot items on or near furniture.
- Keep furniture a safe distance from heat sources such as, but not limited to, fire pits, patio heaters, and grills.
- Do not allow children to use this product without adult supervision.
- Do not use harsh chemicals or abrasive materials to clean the furniture.
- Do not use a pressure washer to clean the furniture.

**Any modification to the product or failure to follow recommended care will void the product warranty.**

*If you experience issues with the product or it was damaged during shipping, please contact our customer service team through one of the methods mentioned at the top of page 1.*

*Please have the item number and order information ready to expedite response time.*

## WARNING:

**Manufacturer and seller expressly disclaim any and all liability from personal injury, property damage or loss, whether direct or indirect, or incidental, resulting from the incorrect attachment, improper use, inadequate maintenance, or neglect of this product.**