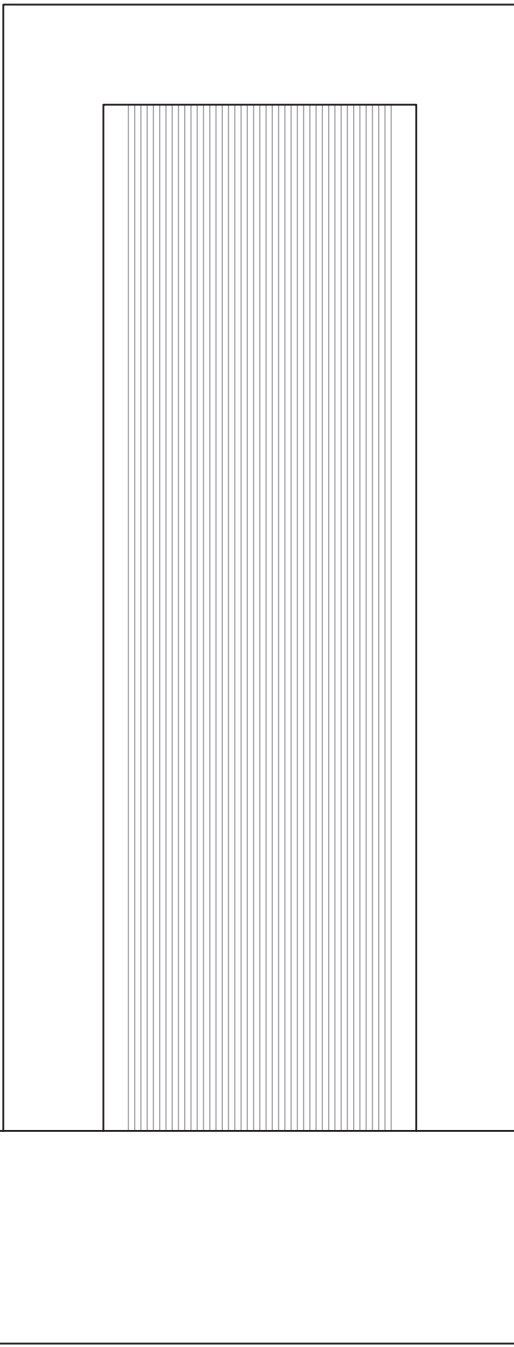



# RELAXING RAIN GALVANIZED STEEL WATER FOUNTAIN

## MCA-2471

Review all assembly and care information before using this product. Save this manual for future reference.  
**Select a smooth, level surface to place the fountain.**  
**Assemble components on a soft, clean surface to avoid scratching or damaging the finish.**










**Inspect packaging to ensure all parts are accounted for before disposing of packing materials.**  
 Save the packing slip.



### IMPORTANT NOTES:

- The nylon strings in the fountain body cannot be replaced or repaired.
- The water tubing is built into the fountain. Take care when handling the water tube; detaching the water tube from the fountain will damage the unit and void the warranty.
- Sponge-like polyurethane foam filters in the top and bottom of the fountain body help control water flow and catch debris — do not remove these filters.
- Familiarize yourself with the flow control regulator on the front of the pump as it may need to be adjusted to achieve optimal water flow.

PARTS		QTY.
	Fountain Body	1
	Basin	1
	Electric Submersible Pump	1
	AC Adapter	1
	M8x35mm Bolt Set	4

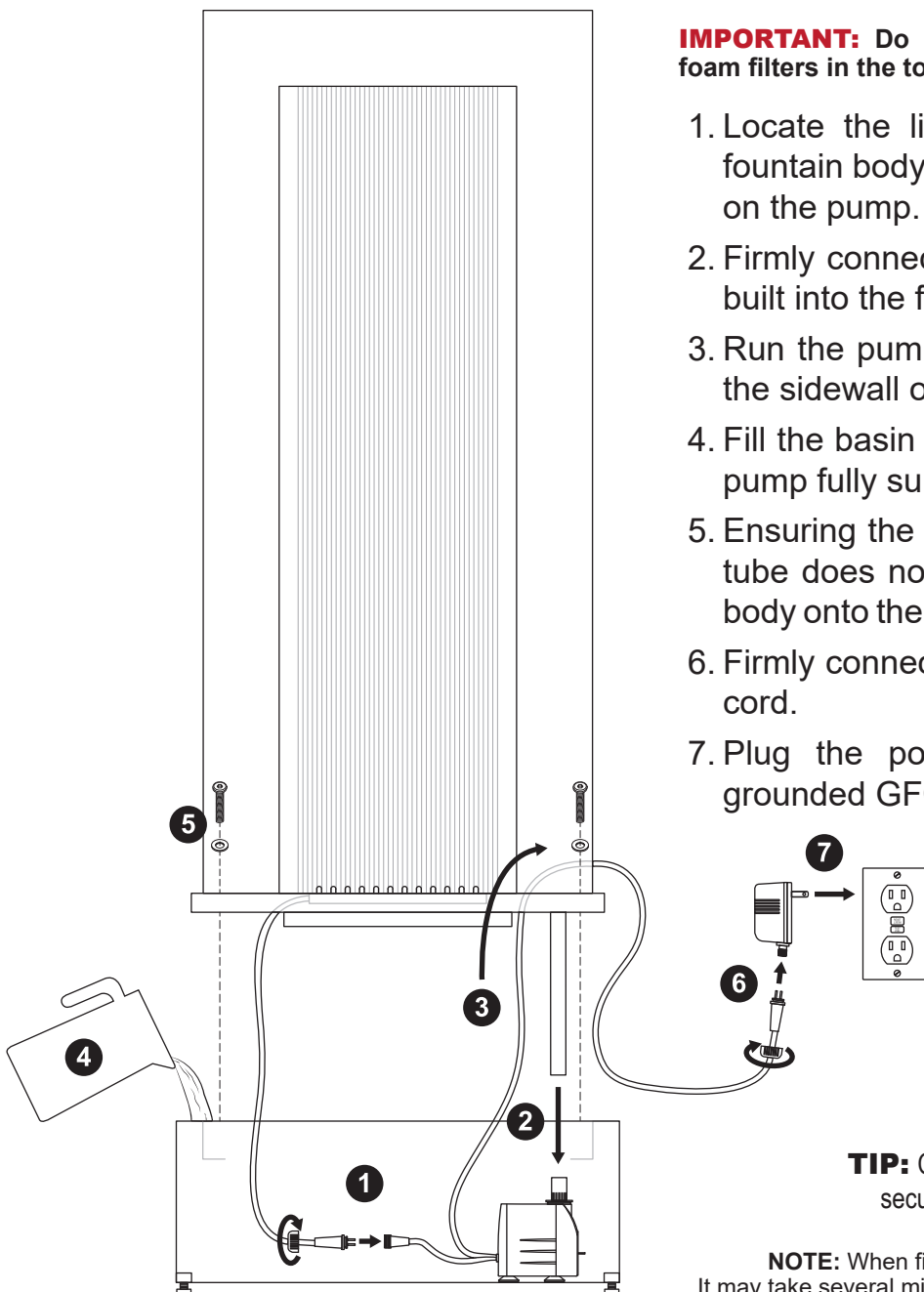
INCLUDED TOOLS	
	Hex Key

**⚠ WARNING ⚠**  
**CHOKING HAZARD** — This item contains small parts that can be swallowed. Keep children and pets away during assembly.

# ASSEMBLY

**IMPORTANT:** Do not discard the sponge-like polyurethane foam filters in the top and bottom of the fountain.

1. Locate the light cable on the underside of the fountain body and firmly attach it to the short cable on the pump.
2. Firmly connect the pump to the water tube that is built into the fountain body.
3. Run the pump power cord up through the hole in the sidewall of the fountain body.
4. Fill the basin with enough clean water to keep the pump fully submerged during operation.
5. Ensuring the pump remains upright and the water tube does not become kinked, place the fountain body onto the basin and secure using four bolt sets.
6. Firmly connect the AC adapter to the pump power cord.
7. Plug the power cord directly into a properly grounded GFCI outlet.



**TIP:** Check and adjust the water flow before securing the fountain body to the basin.

**NOTE:** When first used, there may be air trapped in the pump. It may take several minutes for trapped air to escape, allowing water to flow.

## Care & Maintenance

- Some splashing may occur; adjust the flow rate on the pump if the water rate is too high or low.
- Some climates and weather conditions increase water evaporation, requiring water to be added more frequently. During high temperatures, windy conditions and long-term exposure to direct sunlight, frequently check water levels to ensure the pump remains submerged underwater. Never allow the pump to run dry as doing so will burn out the motor.
- Only use water in this fountain. Distilled water helps prevent mineral buildup but is not required. Tap water is okay to use, but avoid heavily chlorinated water as it may damage the pump and fountain finish.
- Periodically change the water to help keep the fountain and pump clean. Remove scale and buildup regularly.
  - DO NOT use harmful additives such as bleach, chlorine, etc.
  - DO NOT use anything abrasive to scrub the fountain.
  - DO NOT use a pressure washer to clean the fountain.

- Use extreme caution when cleaning the nylon strings, they cannot be replaced or repaired.
- Over time, exposure to sunlight may change the color of the finish; this is part of the natural aging process and is not cause for return.
- Always unplug the power supply before cleaning and maintaining the fountain and the recirculating pump. Take care when handling the pump; only pick the pump up by the body, never the power cord.
- During freezing weather, drain the fountain, disconnect the pump and store indoors; allowing ice to form may damage the fountain in such ways as, but not limited to, lighting malfunctions and permanent pump damage.
- Manufacturer is not liable for damages caused by exposure to weather elements.

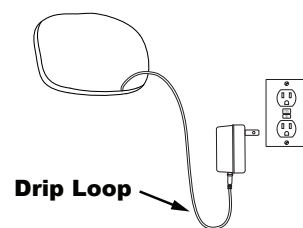
**WARNING: THE ONE-YEAR WARRANTY DOES NOT COVER DAMAGES OR DEFECTS CAUSED BY THE APPLICATION OF CHEMICAL TREATMENTS, PROTECTIVE COATINGS, TOUCH-UP PAINT, OR CLEANING PRODUCTS.**

## Troubleshooting

- If water is not flowing within several moments of the fountain being plugged in, ensure the pump is fully submerged underwater. Add water to the reservoir if necessary. There may also be air bubbles trapped inside the pump, which can prevent water from circulating properly. Unplug the power supply for a few moments and plug it back in.
- Check the flow control on the body of the pump, it may need to be adjusted to achieve the desired water flow rate.
- Inspect the pump, tubing, and foam filters for obstructions.
- Some pump noise is normal. Excessive pump noise can be caused by low water level, trapped air, or the pump being too close to the wall of the fountain. Try adding water or moving the pump to help reduce noise. If noise persists, try gently tapping the pump with your finger to help release trapped air.
- If the light is not working, ensure the cable is fully connected and the seal is adequately tightened (do not over-tighten).
- If the fountain is not running after several moments, ensure the adapter is fully connected to the pump power cable.
- Ensure the power outlet is working. When in doubt about electrical connections, consult a certified electrician.

### ! SAFETY STATEMENTS & WARNINGS !

- Fountains may splash or leak; always protect surfaces that can be damaged by water. Do not use fountain in areas that can be damaged if water splashes or leaks.
- Prevent water damage to electrical sockets by ensuring the power cord has a drip loop; refer to the diagram on the right.
- Keep fountain out of reach of children and pets.
- Make sure the power cord is away from traffic areas.
- Keep power cord away from all heat sources. Do not use electrical cords in areas with high temperatures.
- Check the water level frequently to ensure the pump remains fully submerged; never allow the pump to run dry as it will burn out the motor.
- Always unplug the power supply before cleaning and maintaining the fountain and the pump.
- Always empty and store the fountain and pump indoors during freezing weather.



*Drawing is for visual reference only, power cord access and adapter vary by fountain.*

**Any modification to the product or failure to follow recommended care will void the product warranty.**

*If you experience issues with assembly or the product was damaged during shipping, please contact our customer service team through one of the methods mentioned at the top of page 1.*

*Please have the item number and order information ready to expedite response time.*

### ! WARNING:

**Manufacturer and seller expressly disclaim any and all liability from personal injury, property damage or loss, whether direct or indirect, or incidental, resulting from the incorrect attachment, improper use, inadequate maintenance, or neglect of this product.**