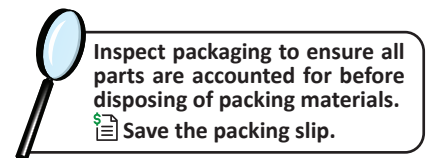
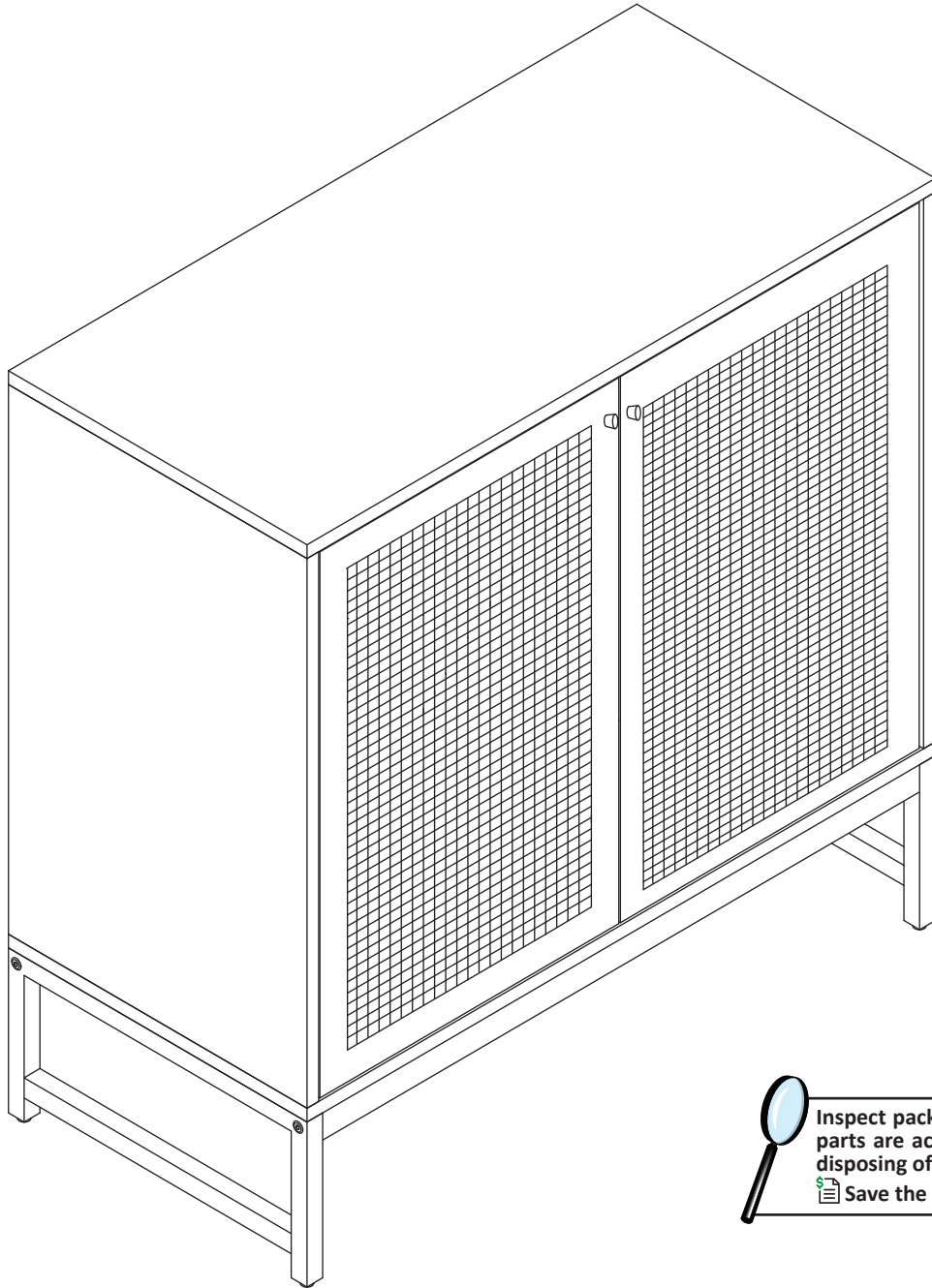


2-DOOR ACCENT CABINET

Review all assembly and care information before using this product. Save this manual for future reference.

Assemble components on a soft, clean surface to avoid damaging the finish.



WARNING:

Manufacturer and seller expressly disclaim any and all liability from personal injury, property damage or loss, whether direct or indirect, or incidental, resulting from the incorrect attachment, improper use, inadequate maintenance, or neglect of this product.

INTRODUCTION

Read the manual carefully to ensure you fully understand all use, care, assembly, and safety information.



Read this manual carefully and follow the assembly instructions in the order listed. Pay close attention to assembly diagrams.



Regularly clean with a clean microfiber cloth to prevent dust accumulation.



Do not paint the unit.
Do not use abrasive materials or cleaners to clean the furniture.



Indoor use only.
Do not expose the furniture to heat or humidity.



When cleaning nearby the furniture, do not allow contact with water or cleaners as it may deteriorate the furniture.



Do not allow metal components to come in contact with water or cleaners as it may cause rust and staining.



Assemble on a soft, flat, clean, and dry surface.



Use a soft, protective barrier when assembling the furniture.

TIP: Use the box carton as a protective layer to separate and protect the parts from scratches and other damage during assembly.



Do not push or drag furniture as doing so may damage the unit.

Only move furniture when it is empty.

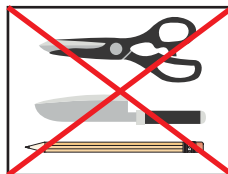


Always ask for help when moving furniture.



Avoid Accidents - Do not climb, sit or stand on the furniture.

Do not allow children to play on or inside the furniture.



Keep sharp objects away as they may scratch or damage the unit.

Do not use the furniture as a writing surface without a padded barrier.

IMPORTANT: Take care not to over-tighten screws as doing so may crack the wood or strip the screw hole, resulting in a weak connection and reduced stability.

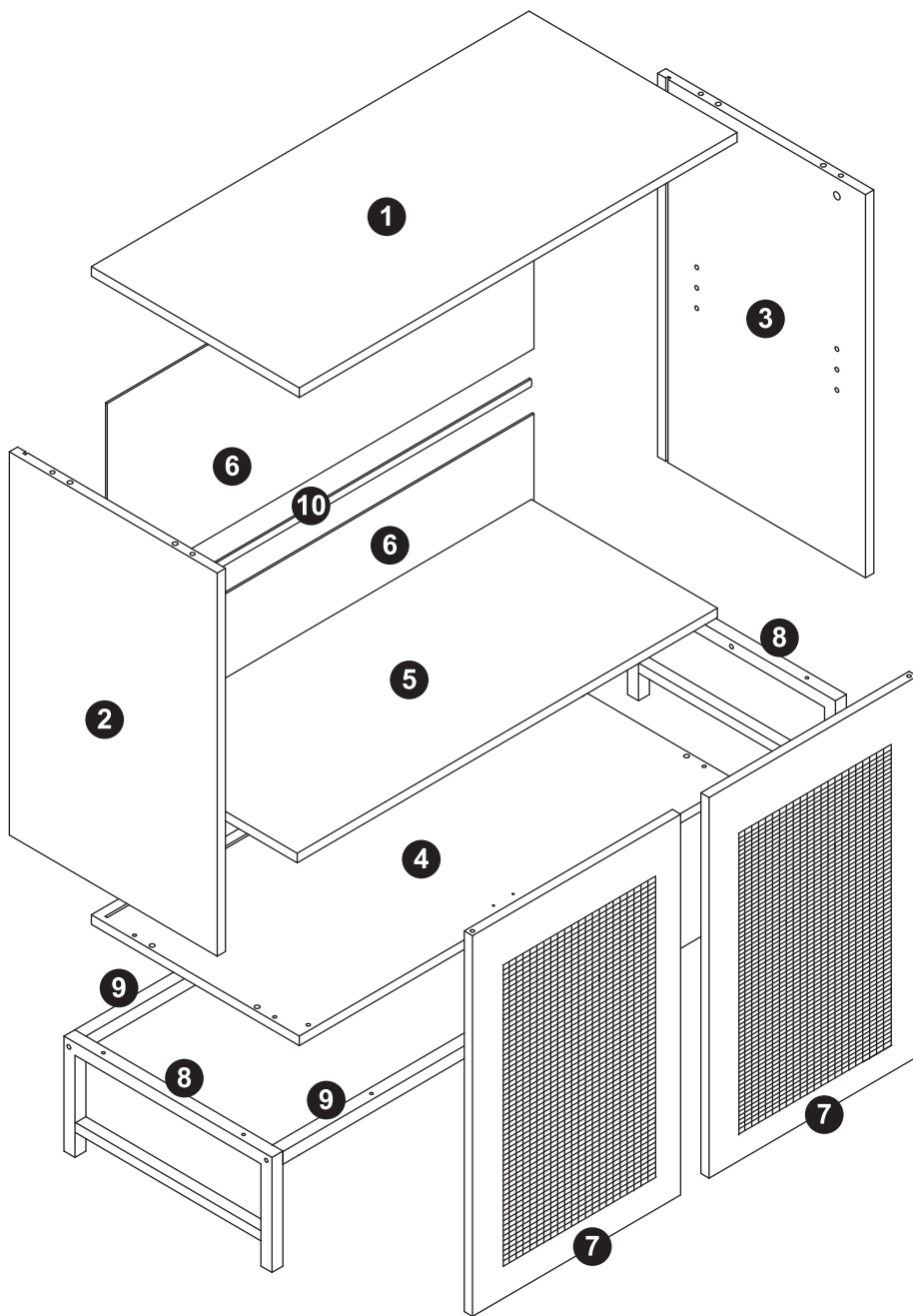
WARNING:

Manufacturer and seller expressly disclaim any and all liability from personal injury, property damage or loss, whether direct or indirect, or incidental, resulting from the incorrect attachment, improper use, inadequate maintenance, or neglect of this product.

COMPONENTS



Inspect packaging to ensure all parts are accounted for before disposing of packing materials.
 Save the packing slip.



No.	PART NAME	QTY.
1	Top Panel	1
2	Left Side Panel	1
3	Right Side Panel	1
4	Bottom Panel	1
5	Shelf	1
6	Backing Board	2
7	Door (L/R)	2
8	Leg Panel	2
9	Support Bar	2
10	Divider	1

No.	HARDWARE	QTY.
A	Cam Screw	4
B	Cam Lock	4
C	M3.5x14mm Flat Screw	14
D	Magnetic Latch	2
E	Wood Dowel	8
F	Shelf Support Peg	4
G	M4x20mm Bolt	2
H	Door Knob	2
I	Cabinet Door Damper Pin	4
J	M4x50mm Flat Screw	4
K	Foot	4
L	M6x35mm Bolt	4
M	M4x30mm Flat Screw	10
N	Mending Wedge	6
O	Anti-Tip Kit	1
Q	Door Catch	4

INCLUDED TOOLS

Phillips Screwdriver
Hex Key

TOOLS REQUIRED (not included)

Rubber Mallet

Power Drill
with 2mm & 5mm Bits

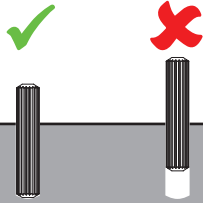
⚠ WARNING ⚠

CHOKING HAZARD — This item contains small parts that can be swallowed. Keep children and pets away during assembly.

⚠ IMPORTANT INSTALLATION INFORMATION ⚠

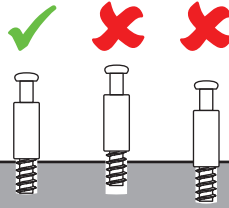
For the stability of the unit, it is important that furniture connectors are installed correctly. See drawings and tips below for proper installation.

Wood Dowel



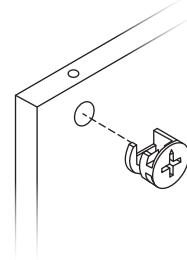
Install wood dowels by gently tapping them into the designated hole using a rubber mallet.

Cam Screw



Use a screwdriver to tighten the cam screw until the shoulder is flush with the panel. Do not over-tighten or under-tighten.

Cam Lock

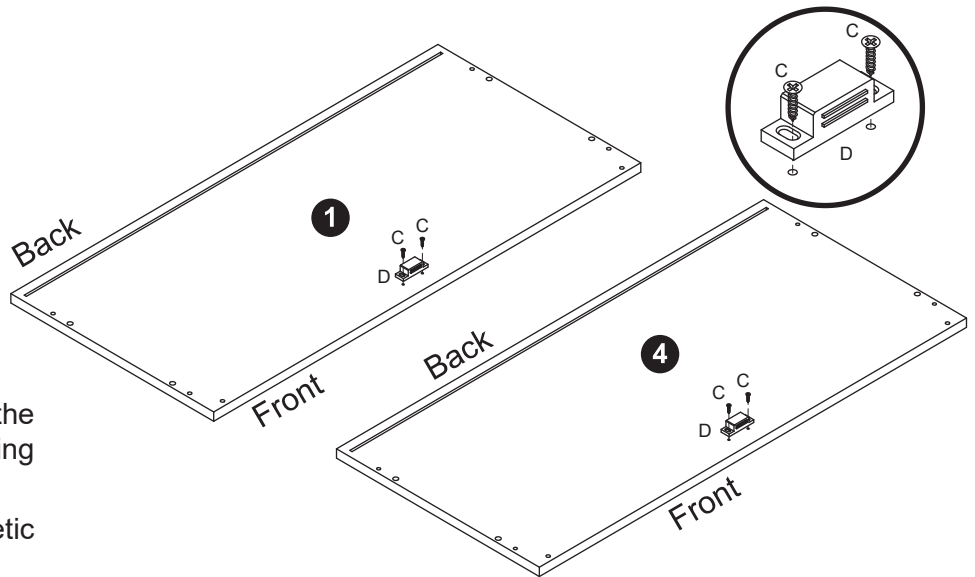


Align the cam lock opening (arrow) with the pre-drilled hole on the side of the panel. Use a screwdriver to adjust alignment as needed.

ASSEMBLY

STEP 1

- 1: 1
- 4: 1
- C: 4
- D: 2



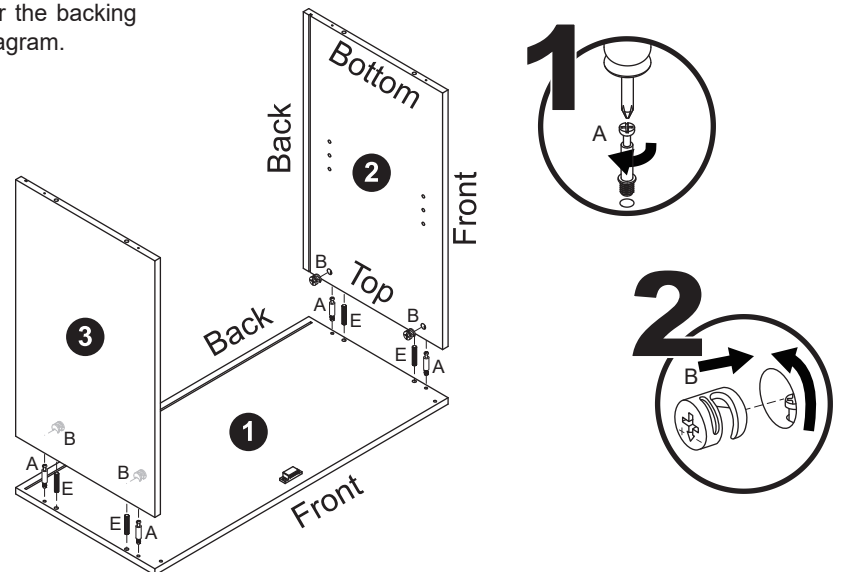
Secure one Magnetic Latch (D) to the inside front edge of Top Panel (1) using two M3.5x14mm Flat Screws (C).

Repeat to secure the remaining magnetic latch to Bottom Panel (4).

STEP 2

- 2: 1
- 3: 1
- A: 4
- B: 4
- E: 4

NOTE: Ensure the grooves for the backing boards align as shown in the diagram.



Install four Wood Dowels (E) and four Cam Screws (A) into Top Panel (1).

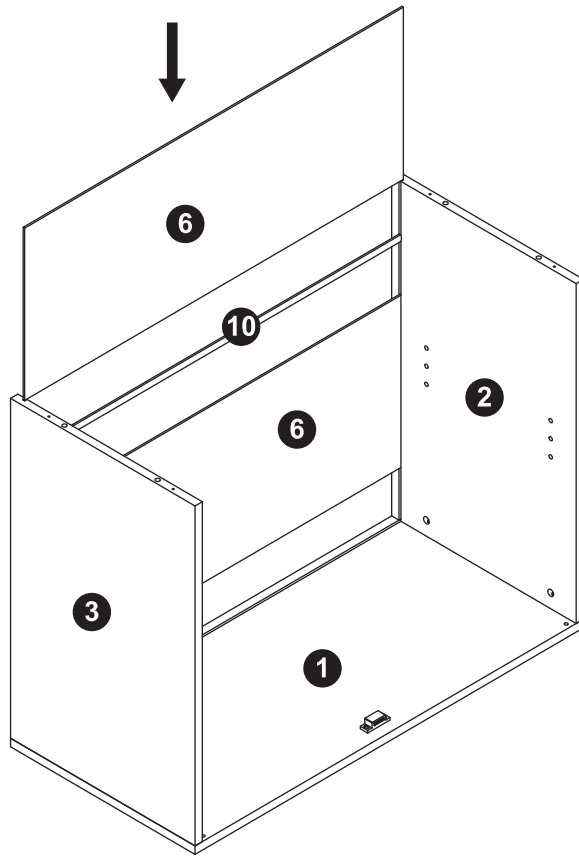
Align the top of Left Side Panel (2) with Top Panel (1) and secure using two Cam Locks (B), as shown.

Repeat to secure Right Side Panel (3) to the top panel.

STEP 3

6: 2

10: 1

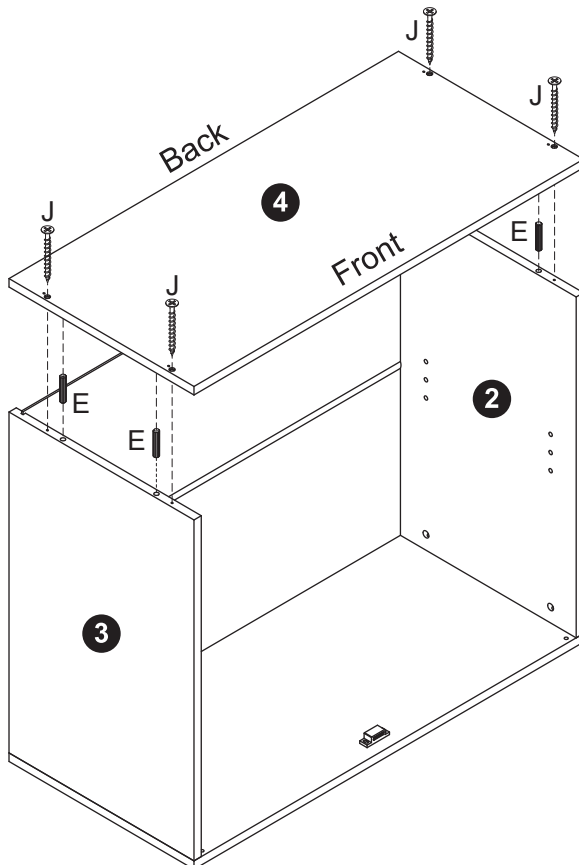


Install two Backing Boards (6) and one Divider (10) into the grooves in the backs of the panels, as shown.

STEP 4

E: 4

J: 4



IMPORTANT: The magnetic latches must be facing the inside/front of the cabinet.

Install two Wood Dowels (E) into the bottom of each of the side panels.

Place Bottom Panel (4) onto the side panels and secure using four M4x50mm Flat Screws (J).

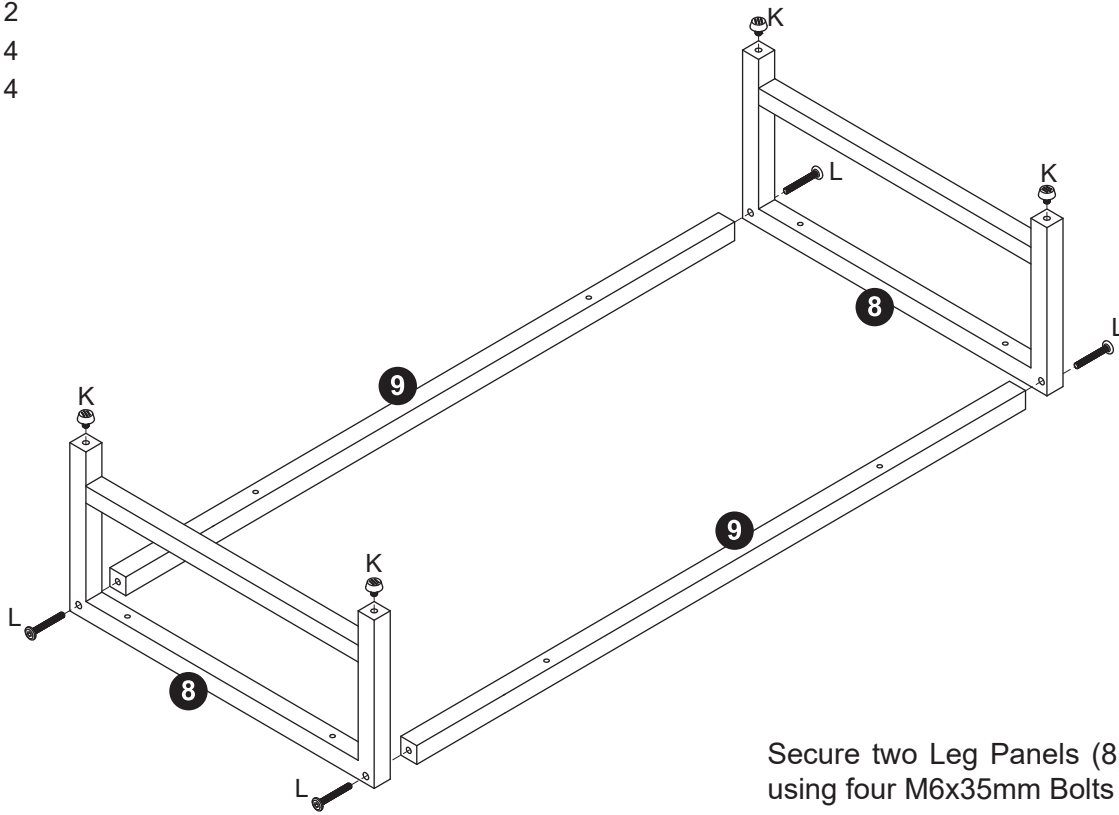
STEP 5

8: 2

9: 2

K: 4

L: 4

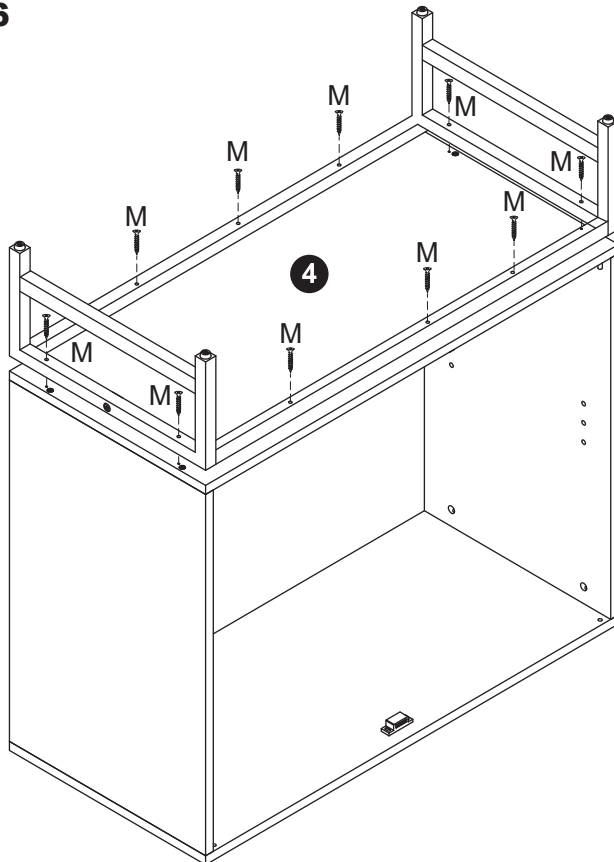


Secure two Leg Panels (8) to two Support Bars (9) using four M6x35mm Bolts (L).

Install four Feet (K) into the bottom of the leg panels.

STEP 6

M: 10

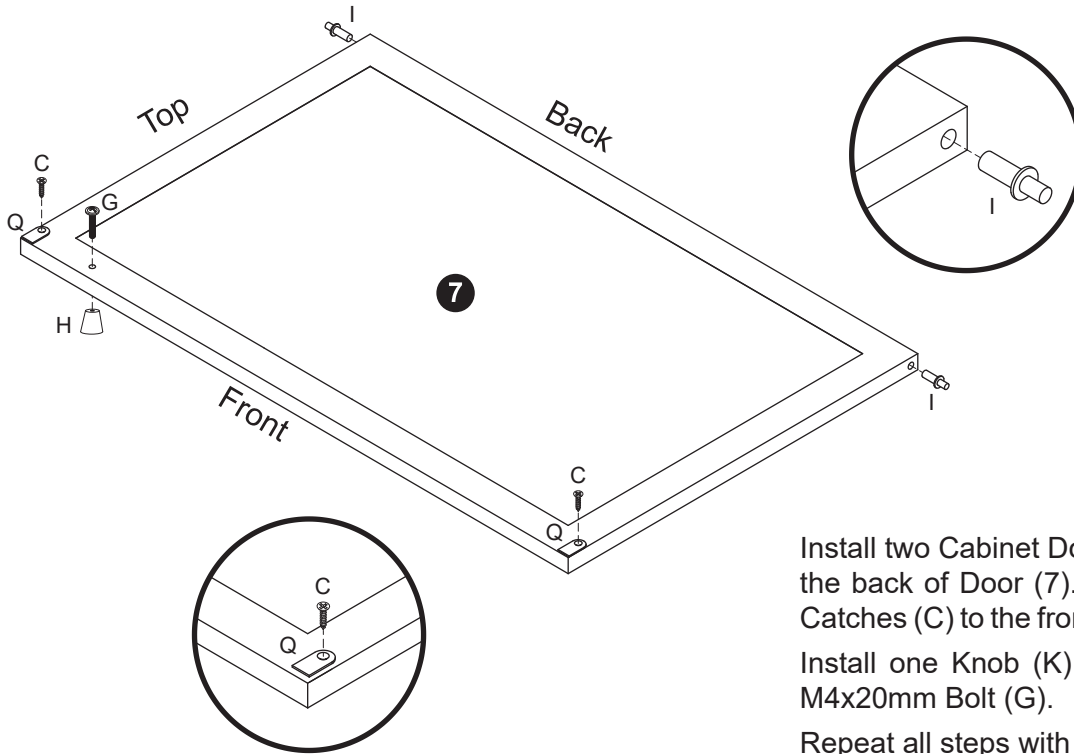


Align the assembled bottom frame with Bottom Panel (4) and secure using ten M4x30mm Flat Screws (M).

STEP 7

7: 2
C: 4
G: 2
H: 2
I: 4
Q: 4

x2

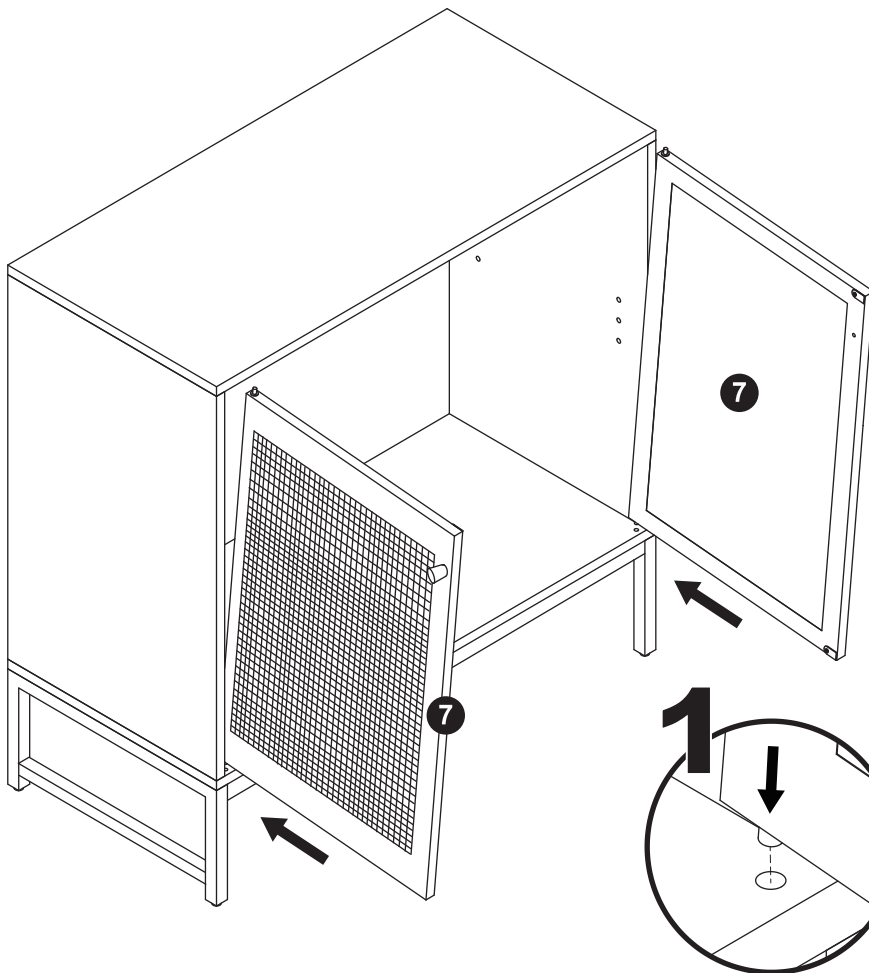


Install two Cabinet Door Damper Pins (I) into the back of Door (7). Then, install two Door Catches (C) to the front of the door, as shown.

Install one Knob (K) to the door using one M4x20mm Bolt (G).

Repeat all steps with the remaining door.

STEP 8



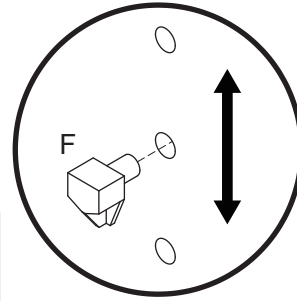
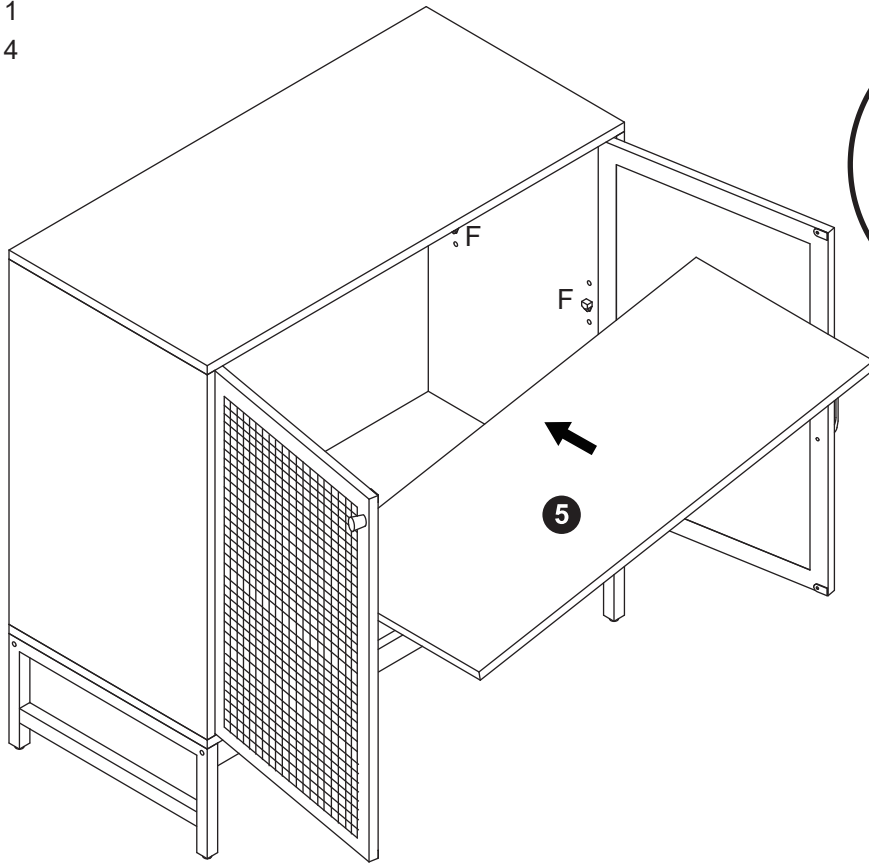
With the door angled outward, insert the bottom damper pin into the mounting hole in the bottom panel. Hold the top damper pin down and slide the door under the top panel. Carefully maneuver the door until the damper pin engages with the mounting hole in the top panel.

Repeat to install the remaining door.

STEP 9

5: 1

F: 4



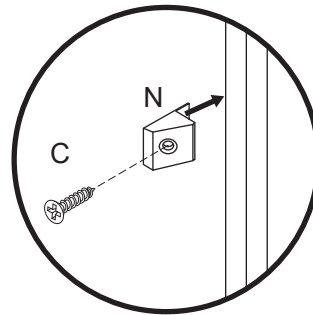
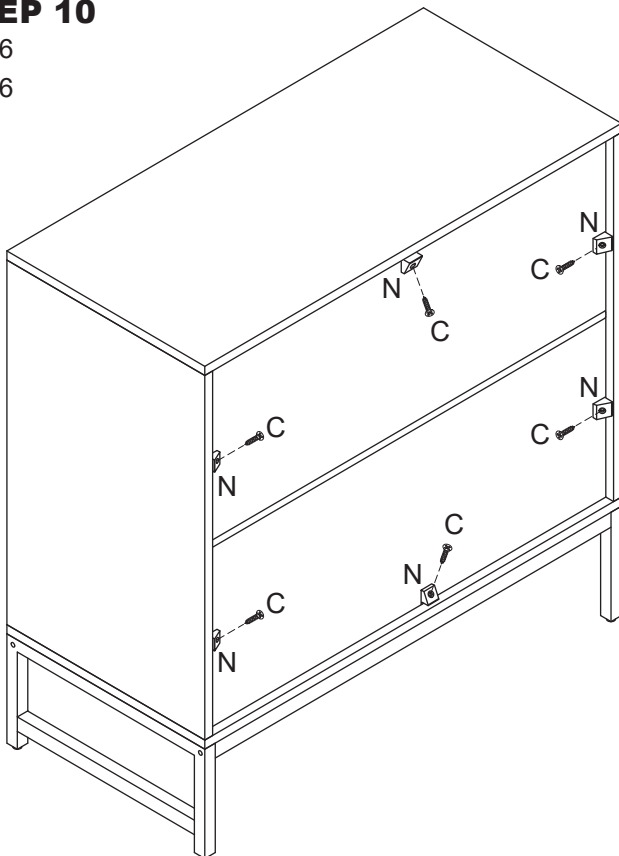
Install four Shelf Support Pegs (F) on the inside of the side panels, ensuring they are in the same mounting holes.

Hold Shelf (5) at an angle and place it on top of the shelf pegs.

STEP 10

C: 6

N: 6

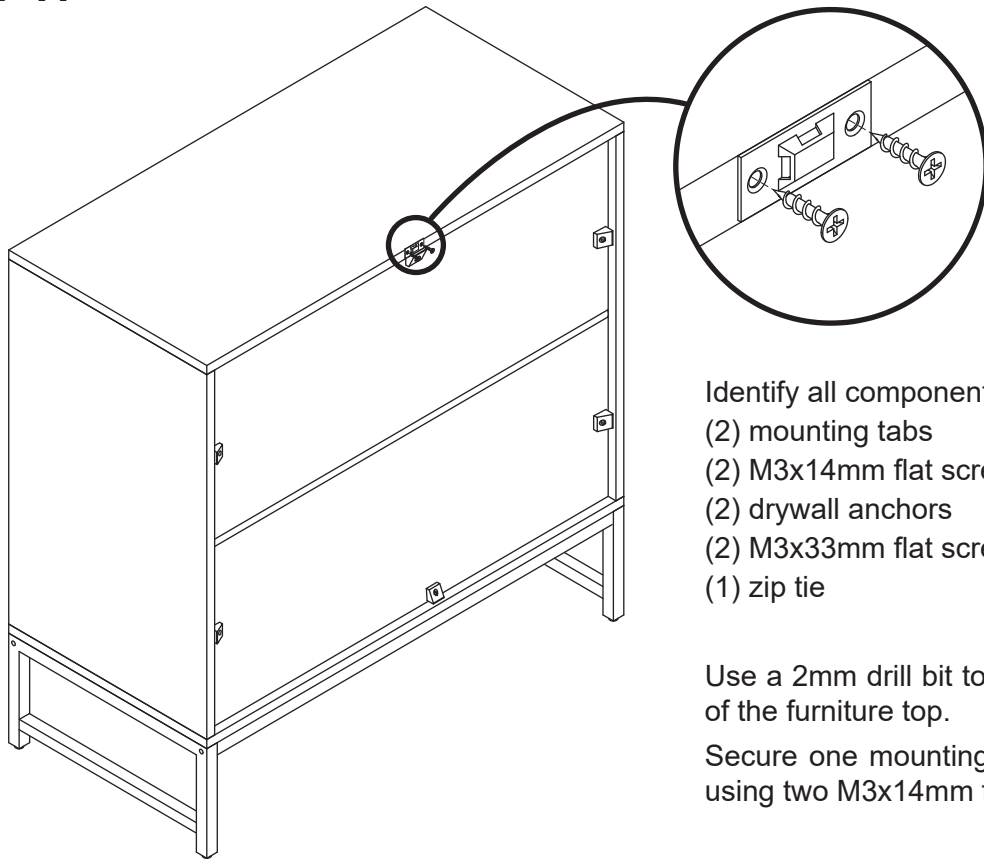


NOTE: Fit the narrow end of the mending wedge between the backing board and the grooves in the cabinet panels.

Secure six Mending Wedges (N) to the backside of the cabinet using six M3.5x14mm Flat Screws (C), as shown.

STEP 11

O: 1



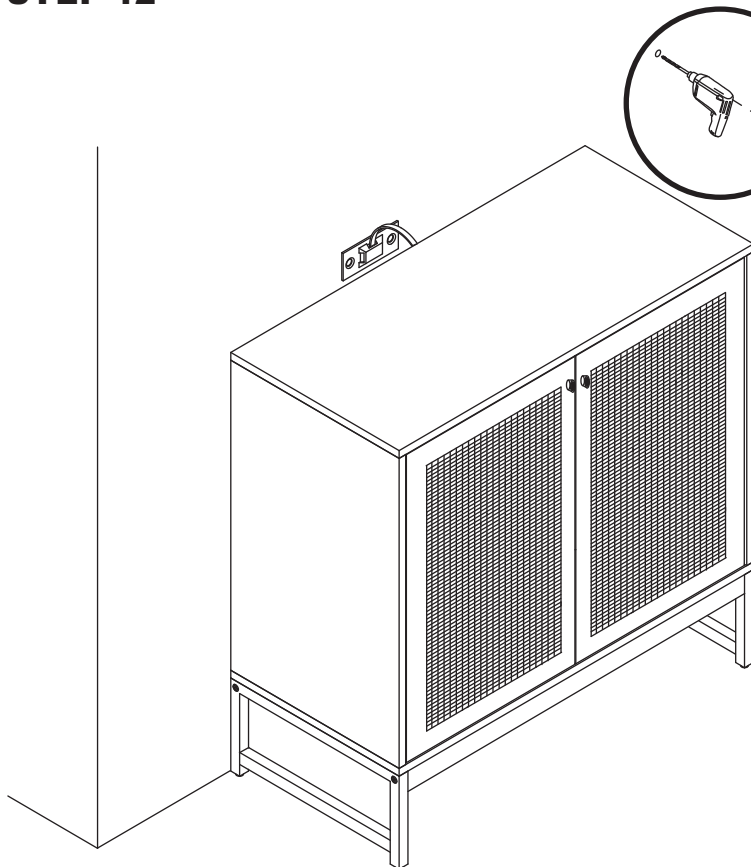
Identify all components from Anti-Tip Kit (O):

- (2) mounting tabs
- (2) M3x14mm flat screws
- (2) drywall anchors
- (2) M3x33mm flat screws
- (1) zip tie

Use a 2mm drill bit to drill small pilot holes on the back of the furniture top.

Secure one mounting tab to the back of the top panel using two M3x14mm flat screws.

STEP 12



WARNING: Check for pipes and electrical wiring before drilling.

IMPORTANT: Anchors are designed for use with drywall only, other wall types will require special fittings (not included). When in doubt, consult a professional.

- Carefully measure and mark the location of drywall anchor pilot hole before drilling and installing the unit.
- Using a power drill with a 5mm bit, drill a hole to 30mm depth.
- Insert the wall anchor into the hole until the opening is flush with the wall.
- Secure the remaining mounting tab to the wall using the M3x33mm screws.
- Align the mounting tabs of the cabinet and wall, secure using the zip tie.

SAFETY STATEMENTS & WARNINGS

- For residential use only. Not for commercial or industrial use.
- For indoor use only.
- Ensure fittings are tight before use. Periodically check fittings to ensure they are tight.
- Only use this unit on a flat, level surface.
- Do not sit, stand or climb on the unit.
- Supervise children; never allow children to climb or sit on this unit as it may tip over and cause serious injury.
- Do not place liquids or hot items directly on the furniture.
- Never use chemical cleaning products or polishes as they may damage the finish.
- Do not exceed the weight capacity of the furniture.
- Do not overload the shelf as doing so may cause it to sag.
- Avoid long-term exposure to sunlight.
- Avoid placing unit near heating or cooling vents as forced air is very drying and can damage the unit.
- Do not write on furniture without a padded barrier to protect the surface.

Any modification to the product or failure to follow recommended care will void the product warranty.

If you experience issues with assembly or the product was damaged during shipping, please contact our customer service team directly through one of the methods mentioned at the top of page 1. Please have the item number and order information ready to expedite response time.

WARNING:

Manufacturer and seller expressly disclaim any and all liability from personal injury, property damage or loss, whether direct or indirect, or incidental, resulting from the incorrect attachment, improper use, inadequate maintenance, or neglect of this product.