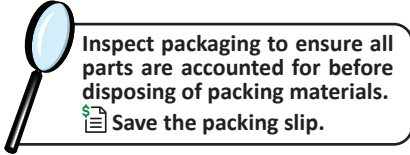


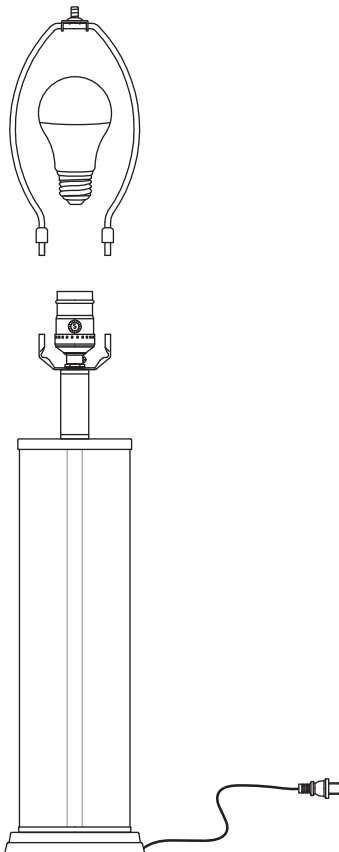
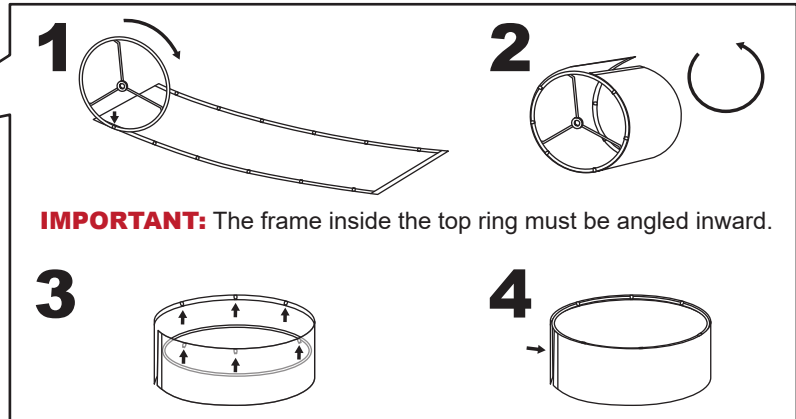
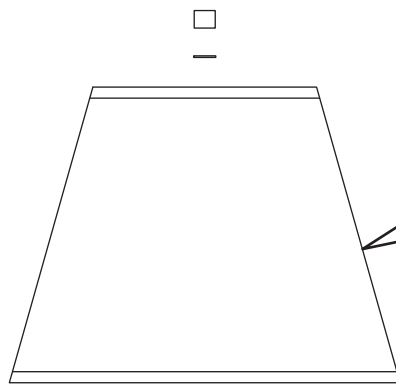
GLASS CYLINDER TABLE LAMPS

GS1-8032

Review all assembly and care information before using this product. Save this manual for future reference.



PARTS	QTY.
Lamp	2
Lamp Harp Set	2
Lamp Shade	2
Top Shade Ring	2
Bottom Shade Ring	2
Light Bulb	2



ASSEMBLY

1. Ensuring the inner wires are angled toward the inside of the lamp shade, press the top ring onto the first hook on one end of the shade.
2. Ensuring the shade remains taut, roll the ring along the lampshade and connect it to the remaining hooks. Do not connect the ends of the shade.
3. Flip the shade over and install the bottom ring.
4. Pull and press the ends of the lampshade together.
5. Install the lamp harp and lamp shade.
6. Install the light bulb.
7. Plug the power cord into a properly grounded GFCI outlet.

Care & Maintenance

- For indoor use only.
- Ensure the lamp is situated on a flat, stable surface.
- Keep the power cord away from all heat sources.
- To prevent risk of electric shock, turn the lamp off and unplug it when changing the light bulb.
- Always grip the plug end when unplugging the lamp; never pull or yank the power cord as doing so can damage the wiring.

Cleaning

Do not use liquids, chemicals or abrasive materials to clean the lamp or shade.

Weekly dusting is recommended to prevent dust from settling into the lamp shade fabric.

Use a feather duster or a microfiber cloth to clean the lamp and shade.

WARNING: THE ONE-YEAR WARRANTY DOES NOT COVER DAMAGES OR DEFECTS CAUSED BY THE APPLICATION OF CHEMICAL TREATMENTS OR THE USE OF CLEANING PRODUCTS.



IMPORTANT SAFETY INFORMATION



- For indoor use only.
- Ensure the power cord is away from traffic areas where it could become a trip hazard.
- Keep power cord away from all heat sources.
- Always turn the switch off and unplug the power supply before changing the light bulb.
- Never use the lamp if any wires or fixtures are damaged.
- Only use a compatible A19/E26 replacement bulb. Wait until the light bulb is cool before replacing.

Any modification to the product or failure to follow recommended care will void the product warranty.

If you experience any issues with the product or it was damaged during shipping, please contact our customer service team through one of the methods mentioned at the top of page 1.

Please have the item number and order information ready to expedite response time.

WARNING!

Manufacturer and seller expressly disclaim any and all liability from personal injury, property damage or loss, whether direct or indirect, or incidental, resulting from the incorrect attachment, improper use, inadequate maintenance, or neglect of this product.