


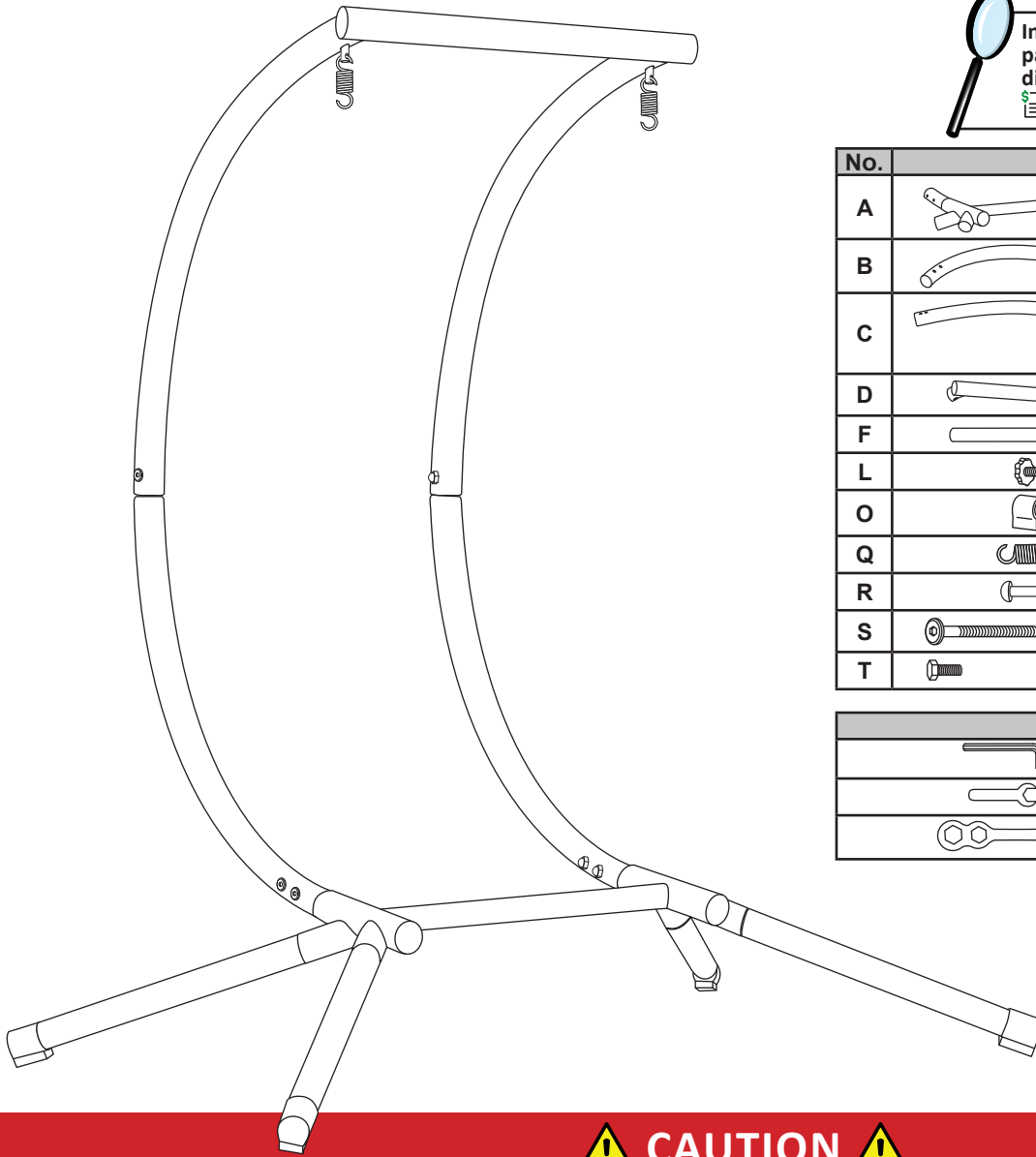
Thank you for choosing Sunnydaze Decor. We stand behind our brand and the quality of the items we sell. Replacement parts or products will be sent at our discretion within the 1-year warranty period. Proof of purchase, with the date of purchase as well as photos of the merchandise defect, must be provided. Photos are used to determine the cause of defects and for future quality control. Register your warranty at <https://tiny.cc/SunnydazeWarranty>. If you have any questions, comments or concerns, feel free to contact us by phone at 833-982-1977, by email: customerservice@sunnydazedecor.com, or via our contact us page at <https://tiny.cc/SunnydazeContact>


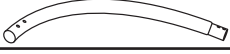





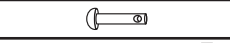



DOUBLE EGG CHAIR CURVED STEEL STAND DL-844




Review all assembly and care information before using this product. Save this manual for future reference.
Assemble components on a soft, clean surface to avoid damaging the finish.



Inspect packaging to ensure all parts are accounted for before disposing of packing materials.
 Save the packing slip.



No.	PARTS		QTY.
A		Base	1
B		Bottom Pole	2
C		Top Pole	2
D		Support Bar	1
F		Leg	4
L		Threaded Knob	4
O		Foot	4
Q		Extension Spring	2
R		Pin	2
S		M10x70mm Bolt Set	6
T		M10x15mm Bolt Set	4

INCLUDED TOOLS	
	Hex Key
	Spanner
	Triple Spanner

! WARNING:
CHOKING HAZARD— This item contains small parts that can be swallowed. Keep children and pets away during assembly.

! CAUTION !

This unit is not designed for use as a swing. Bouncing, swinging, or any other significant movement while in use may cause the stand to tip, which may lead to serious injury.

This stand must be used on a solid, stable, level surface. Ensure all hardware is securely tightened before every use.

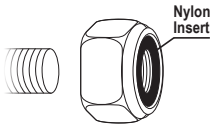
! WARNING: Failure to read and follow instructions and safety warnings could result in serious injury or damage to property.

ASSEMBLY

! Carefully read all assembly steps, care instructions, and safety information before using this product. **!**

When choosing a location for your egg chair stand, select a smooth, level surface.

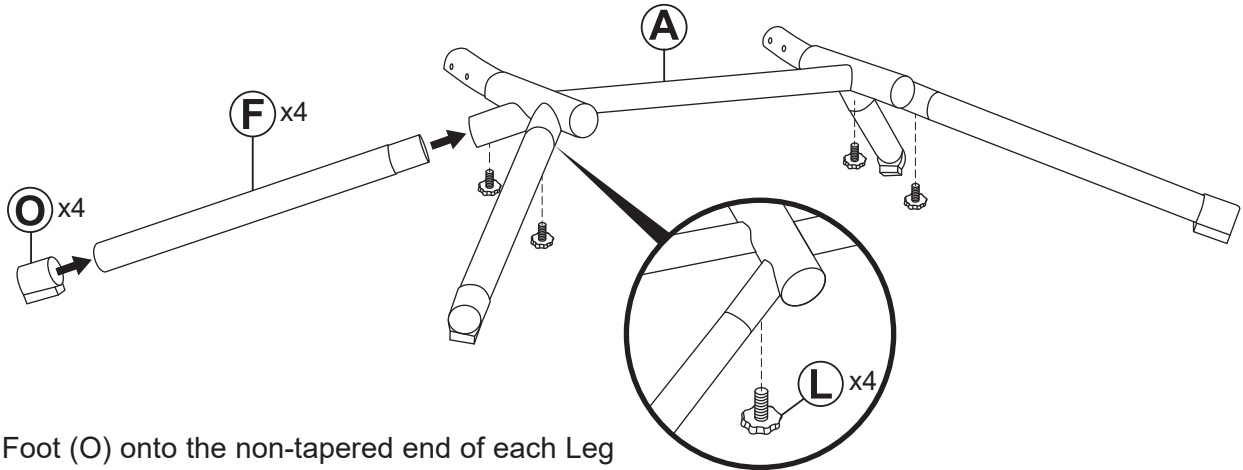
Do not install on dangerous terrain or objects such as slopes, on rocks, or in bodies of water.



! **IMPORTANT:** Lock nuts must be installed with the nylon insert on the outside. Hand-tighten the nut until you feel resistance, which is caused by the nylon insert. Tools are required to fully tighten lock nuts, failure to properly tighten the lock nuts may result in product malfunction or personal injury.

STEP 1

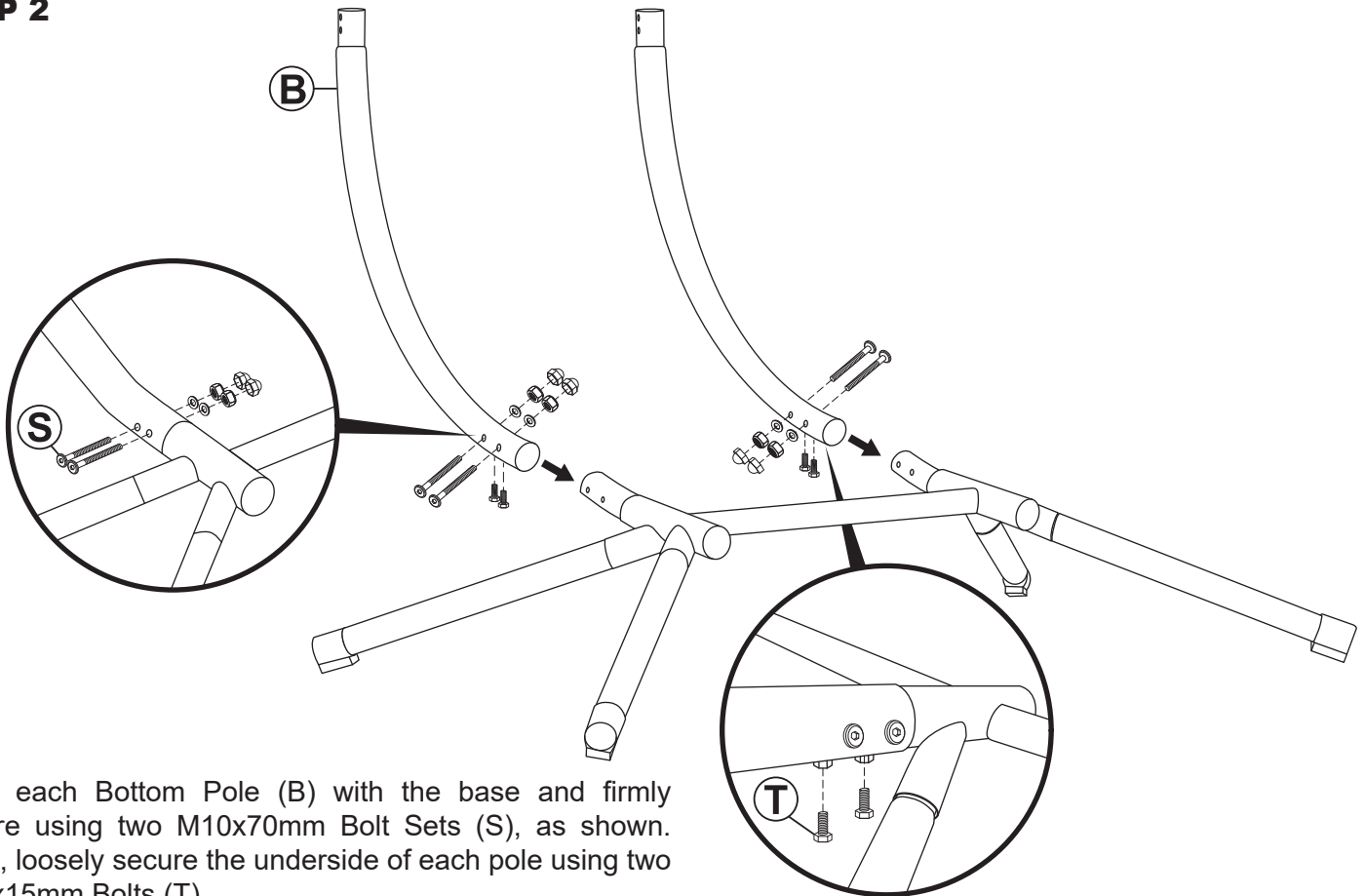
A: 1
F: 4
O: 4
L: 4



Install one Foot (O) onto the non-tapered end of each Leg (F). Align the holes on the underside of each leg with Base (A) and secure using four Threaded Knobs (L).

STEP 2

B: 2
S: 4
T: 4



Align each Bottom Pole (B) with the base and firmly secure using two M10x70mm Bolt Sets (S), as shown. Then, loosely secure the underside of each pole using two M10x15mm Bolts (T).

STEP 3

C: 2

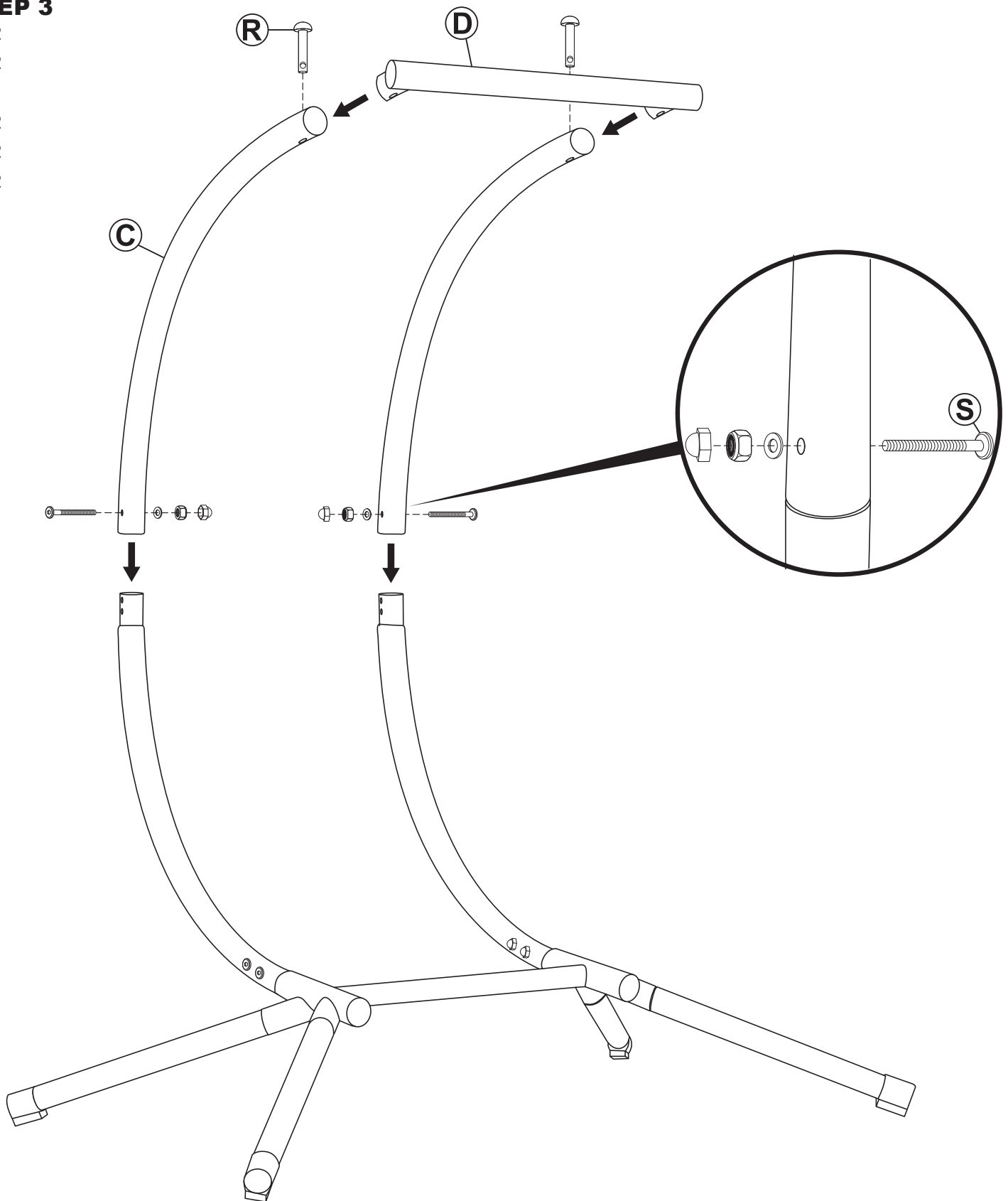
E: 2

D: 1

R: 2

S: 2

Q: 2



Align each Top Pole (C) with the bottom poles and loosely secure using M10x70mm Bolt Sets (S), as shown.

Insert Support Bar (D) into the top poles. Then, place Pin (R) into Top Pole (A).

Finish tightening all hardware.

Insert Extension Spring (Q) into the bottom of Pin (R). [not pictured]

USE & CARE

- **SAFE USE:** Do not swing, bounce, jump, twist, or other perform other excessive movements while using this unit; doing so may cause serious injury and product damage, including, but not limited to, the stand tipping over.
- **CHILDREN:** Supervise children at all times when using this product. Do not allow children to play on or sleep in any hanging chair (not included).
- **INSPECTION:** Ensure the stand is assembled correctly and all hardware is securely tightened before each use.
- **CLEANING:** Use a soft cloth, warm water and mild detergent to wipe down the stand if necessary. Dry the stand after cleaning to prevent rust.
- **SCRATCHES:** The powder coating on the stand is tough and durable but, even under normal use, some scratching is inevitable. To avoid excessive rust, wipe scratched areas to remove moisture.
- **STORAGE:** Store indoors when not in use. Cool, dry locations are recommended to prevent damage and rust that may result from exposure to moisture.

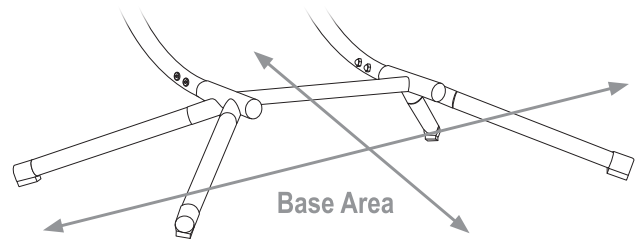
WARNING: THE ONE-YEAR WARRANTY DOES NOT COVER DAMAGES OR DEFECTS CAUSED BY THE APPLICATION OF CHEMICAL TREATMENTS, PROTECTIVE COATINGS, TOUCH-UP PAINT, OR CLEANING PRODUCTS.

TROUBLESHOOTING

- If the stand feels unstable, make sure it is on a level surface and the feet are correctly and evenly distributed.
- If the stand is making noise when in use, check to make sure all hardware is fully tightened.

! SAFETY STATEMENTS & WARNINGS !

- Do not exceed the weight capacity.
- Do not swing, bounce, jump, twist, or spin in any hanging chair (not included) when using this chair stand. This stand is designed for sitting calmly in an egg chair.
Chair not included.
- When in use, the hanging chair (not included) should remain inside the base area at all times. A diagram of the base area is shown on the right.
- Always inspect the stand and hardware for weakness and damage before each use.
- Do not stand or climb on any part of this unit.
- Do not allow children to use this product without adult supervision. Never leave children unattended.



Any modification to the product or failure to follow recommended care will void the product warranty.

If you experience issues with assembly or the product was damaged during shipping, please contact our customer service team through one of the methods mentioned at the top of page 1. Please have the item number and order information ready to expedite response time.

! WARNING:

Manufacturer and seller expressly disclaim any and all liability from personal injury, property damage or loss, whether direct or indirect, or incidental, resulting from the incorrect attachment, improper use, inadequate maintenance, or neglect of this product.