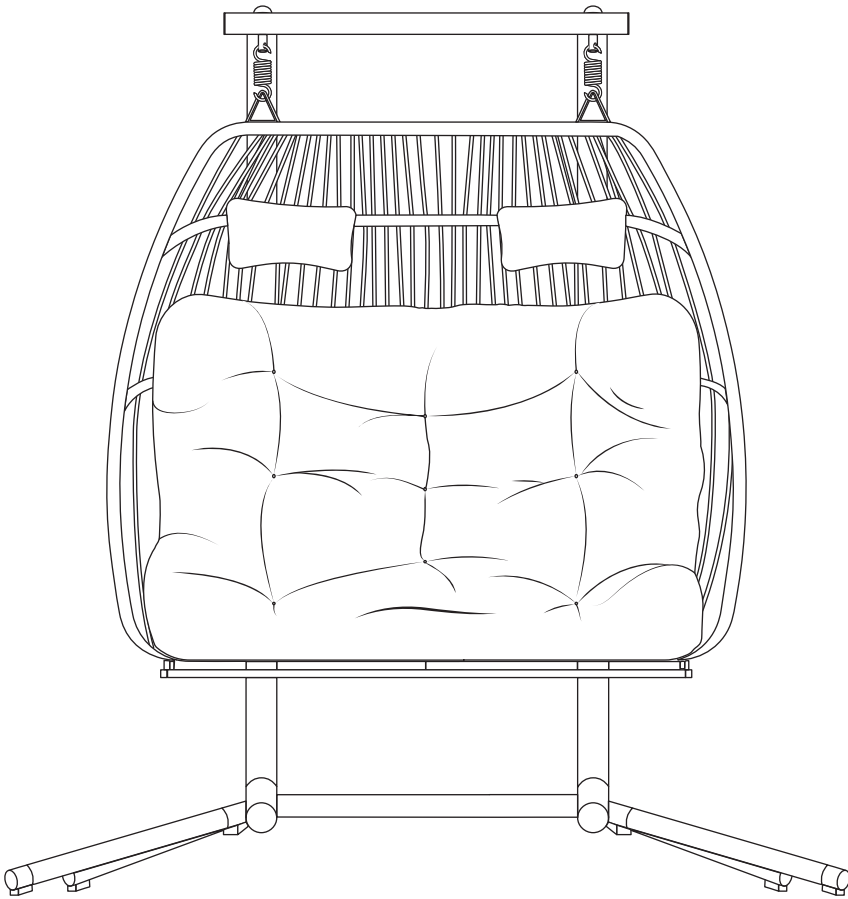



Thank you for choosing Sunnydaze Decor. We stand behind our brand and the quality of the items we sell. Replacement parts or products will be sent at our discretion within the 1-year warranty period. Proof of purchase, with the date of purchase as well as photos of the merchandise defect, must be provided. Photos are used to determine the cause of defects and for future quality control. Register your warranty at <https://tiny.cc/SunnydazeWarranty>. If you have any questions, comments or concerns, feel free to contact us by phone at 833-982-1977, by email: customerservice@sunnydazedecor.com, or via our contact us page at <https://tiny.cc/SunnydazeContact>





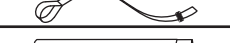
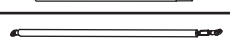
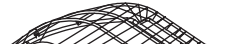
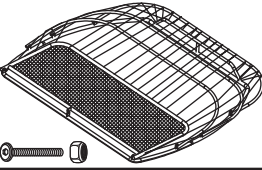




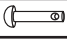

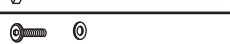




ANDREI HANGING DOUBLE EGG CHAIR WITH STAND




DL-837

Review all assembly and care information before using this product. Save this manual for future reference.
Assemble components on a soft, clean surface to avoid damaging the finish.

Inspect packaging to ensure all parts are accounted for before disposing of packing materials.
 Save the packing slip.

No.	PARTS	QTY.
A	 Base	1
B	 Bottom Pole	2
C	 Top Pole	2
D	 Support Bar	1
E	 Safety Strap	2
F	 Leg	4
H	 Chair Brace	2
I	 Egg Chair with (2) M6x35mm Bolts	1
J	 Cushion	1
K	 Pillow	2
L	 Threaded Knob	4
O	 Foot	4
Q	 Extension Spring	2
R	 Pin	2
S	 M10x70mm Bolt Set	6
T	 M10x15mm Bolt Set	4
U	 M6x15mm Bolt Set	2
V	 M6x22mm Bolt Set	4
W	 M6x28mm Bolt Set	2

INCLUDED TOOLS	
	Hex Key
	Spanner
	Triple Spanner

CAUTION

This unit is not designed for use as a swing. Bouncing, swinging, or any other significant movement while in use may cause the stand to tip, which may lead to serious injury.

This stand must be used on a solid, stable, level surface. Ensure all hardware is securely tightened before every use.

WARNING

CHOKING HAZARD — This item contains small parts that can be swallowed. Keep children and pets away during assembly.

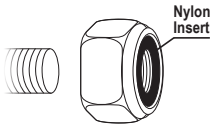
WARNING: Failure to read and follow instructions and safety warnings could result in serious injury or damage to property.

ASSEMBLY

! Carefully read all assembly steps, care instructions, and safety information before using this product. **!**

When choosing a location for your egg chair stand, select a smooth, level surface.

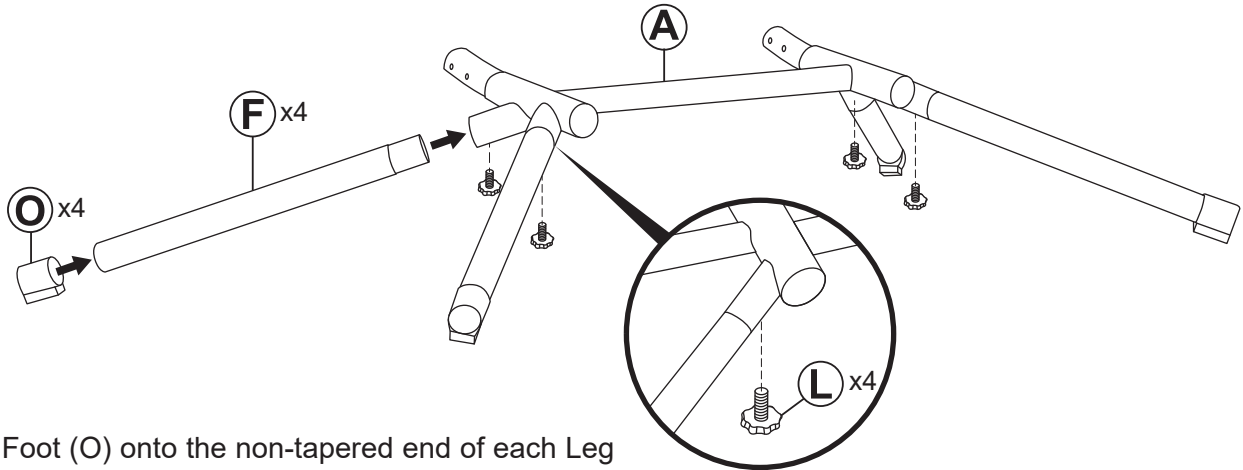
Do not install on dangerous terrain or objects such as slopes, on rocks, or in bodies of water.



! **IMPORTANT:** Lock nuts must be installed with the nylon insert on the outside. Hand-tighten the nut until you feel resistance, which is caused by the nylon insert. Tools are required to fully tighten lock nuts, failure to properly tighten the lock nuts may result in product malfunction or personal injury.

STEP 1

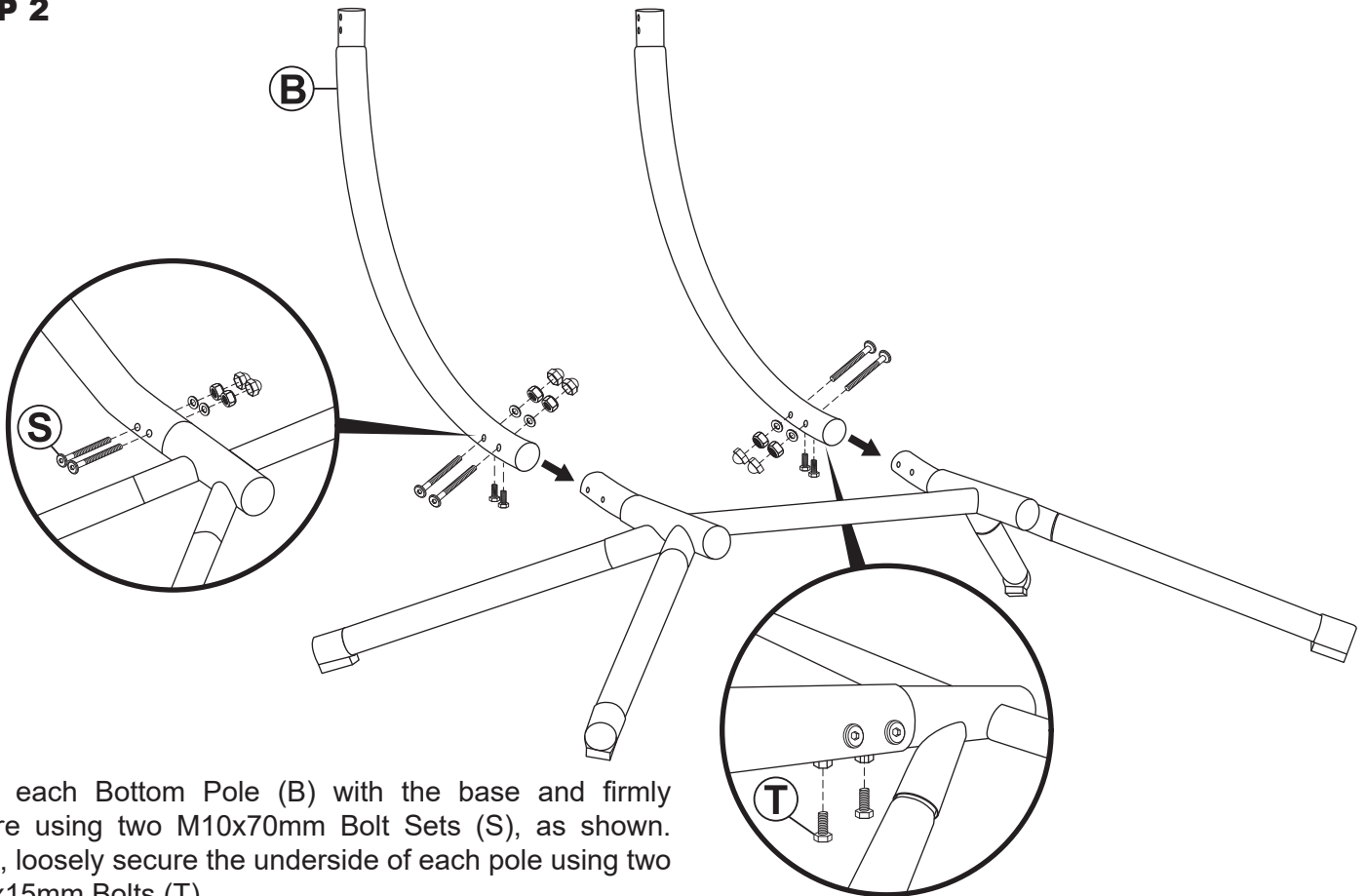
A: 1
F: 4
O: 4
L: 4



Install one Foot (O) onto the non-tapered end of each Leg (F). Align the holes on the underside of each leg with Base (A) and secure using four Threaded Knobs (L).

STEP 2

B: 2
S: 4
T: 4



Align each Bottom Pole (B) with the base and firmly secure using two M10x70mm Bolt Sets (S), as shown. Then, loosely secure the underside of each pole using two M10x15mm Bolts (T).

STEP 3

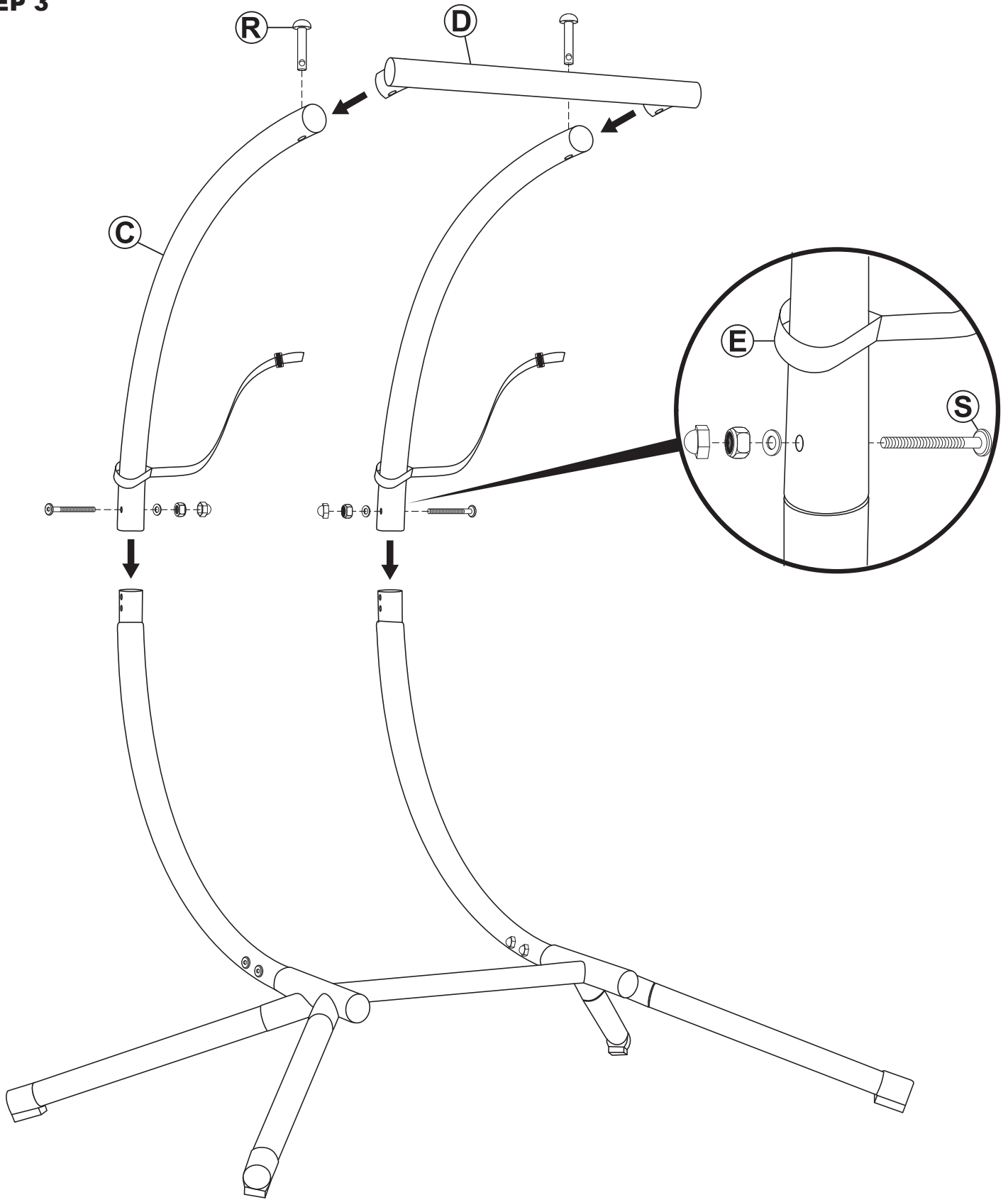
C: 2

E: 2

D: 1

R: 2

S: 2



Slide Safety Strap (E) onto Top Pole (C), as shown.

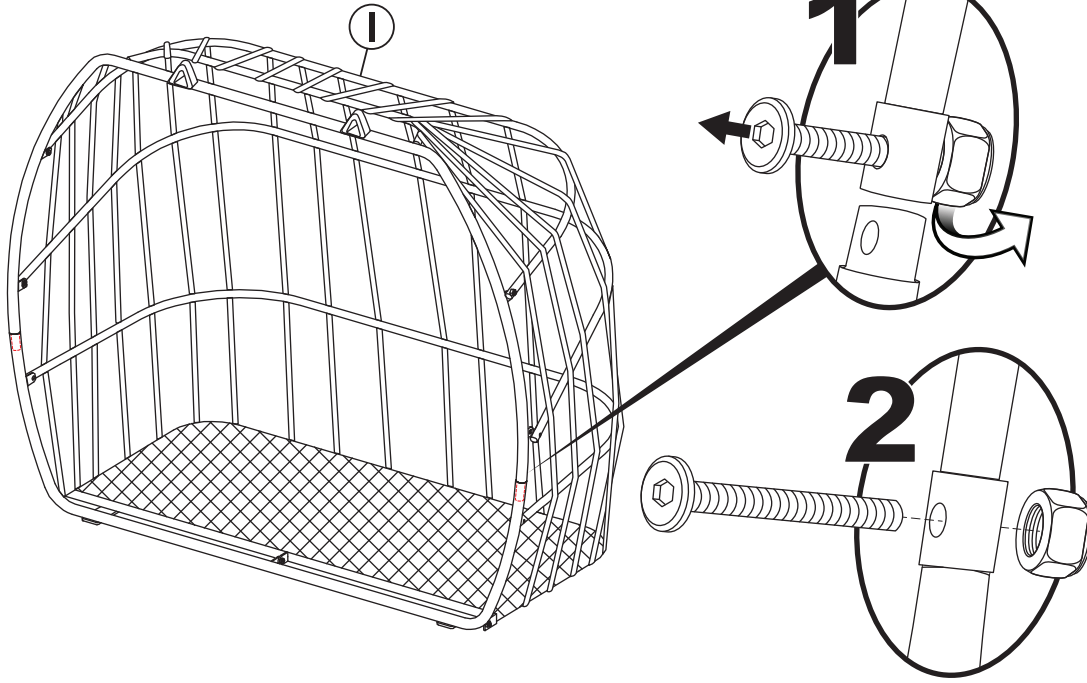
Align each Top Pole (C) with the bottom poles and loosely secure using M10x70mm Bolt Sets (S), as shown.

Insert Support Bar (D) into the top poles. Then, place Pin (R) into Top Pole (A).

Finish tightening all hardware.

STEP 4

I: 1



Locate and remove the two M6x35mm bolt sets from the frame of the chair.

Align the mounting holes on both sides of the front frame and secure using the above bolts.

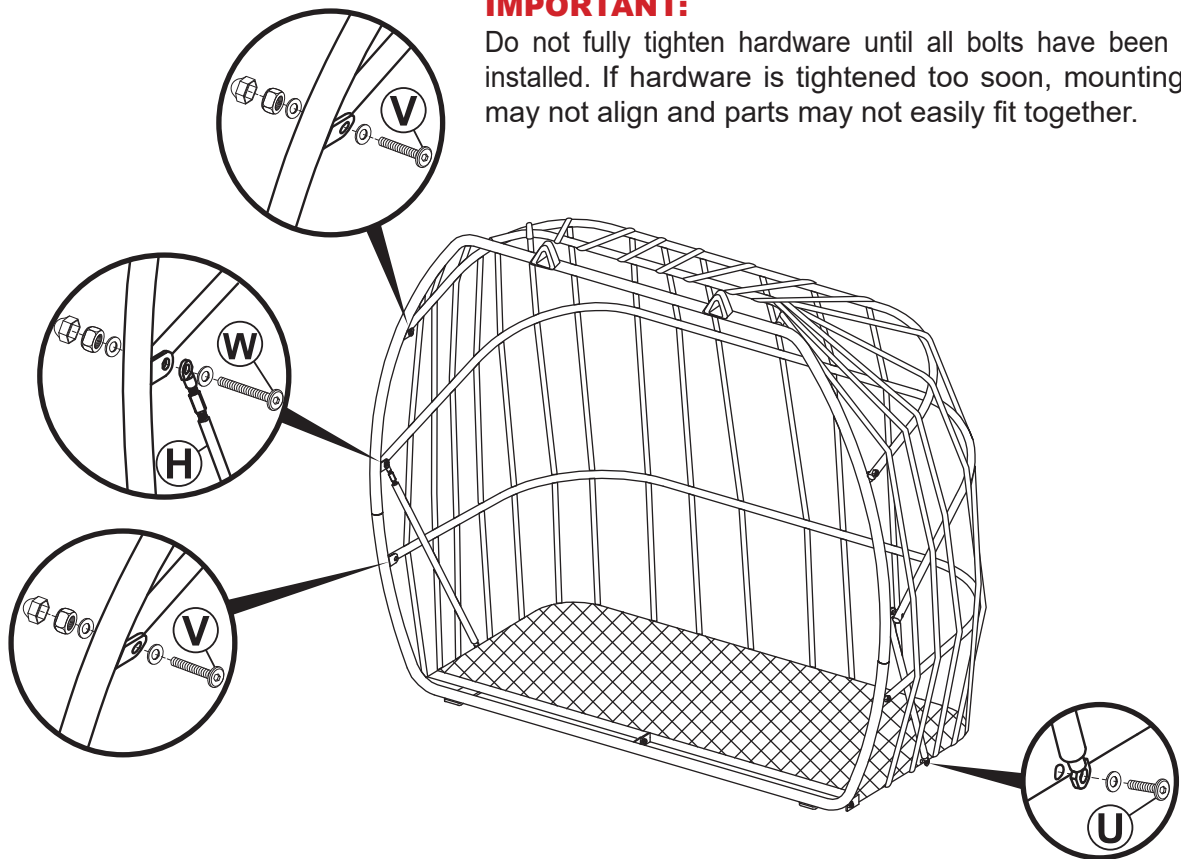
STEP 5

H: 2

U: 2

V: 4

W: 2



IMPORTANT:

Do not fully tighten hardware until all bolts have been loosely installed. If hardware is tightened too soon, mounting holes may not align and parts may not easily fit together.

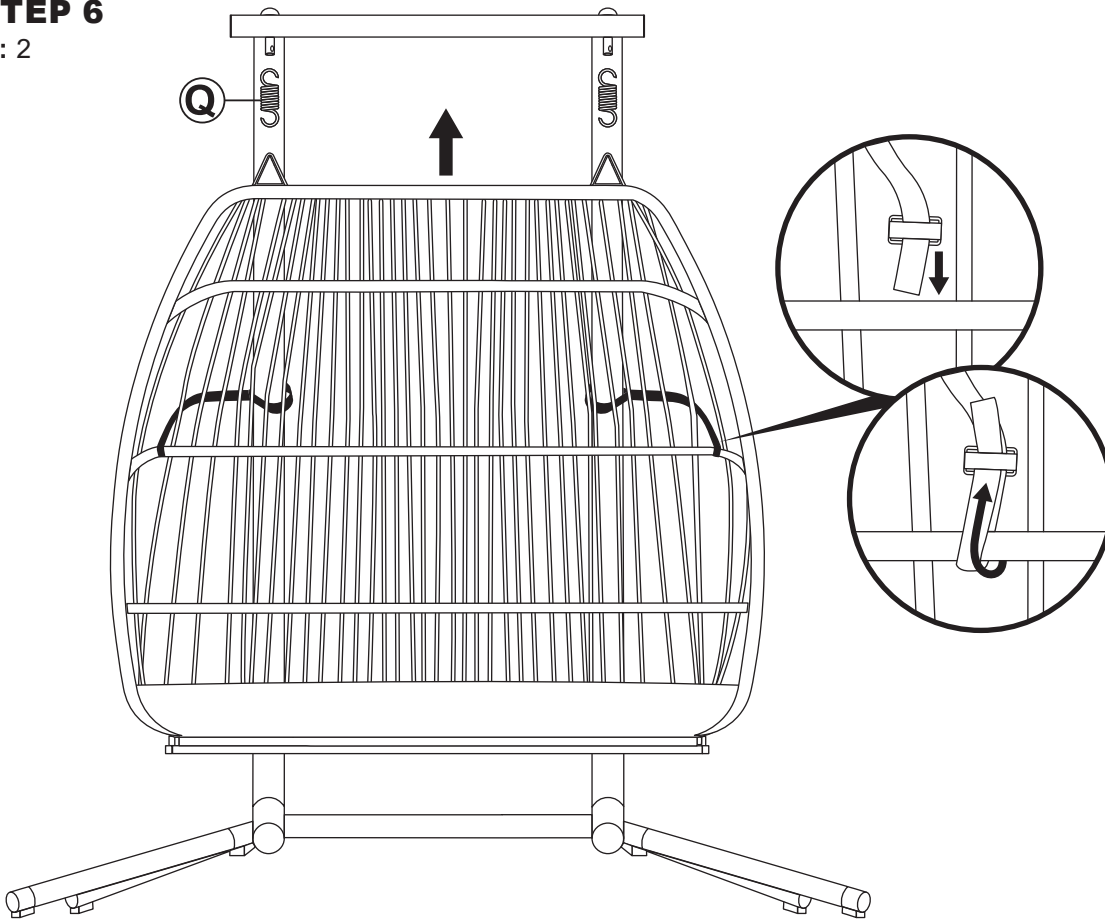
Loosely secure the top and bottom horizontal bars to the front frame using four M6x22mm Bolt Sets (V).

On the inside of the chair, align Chair Brace (H) with the middle horizontal bar and loosely secure using one M6x28mm Bolt Set (W). Align the other end of the chair brace with the mounting hole on the outside edge of the seat and loosely secure using one M6x15mm Bolt Set (U). Repeat on the opposite side of the chair.

Finish tightening all hardware and place nut caps as indicated above.

STEP 6

Q: 2



IMPORTANT:

Only loop the safety strap around the frame of the chair; do not secure it to the rattan as doing so may cause the rattan to break and unravel.

Insert Extension Spring (Q) into the bottom of Pin (R).

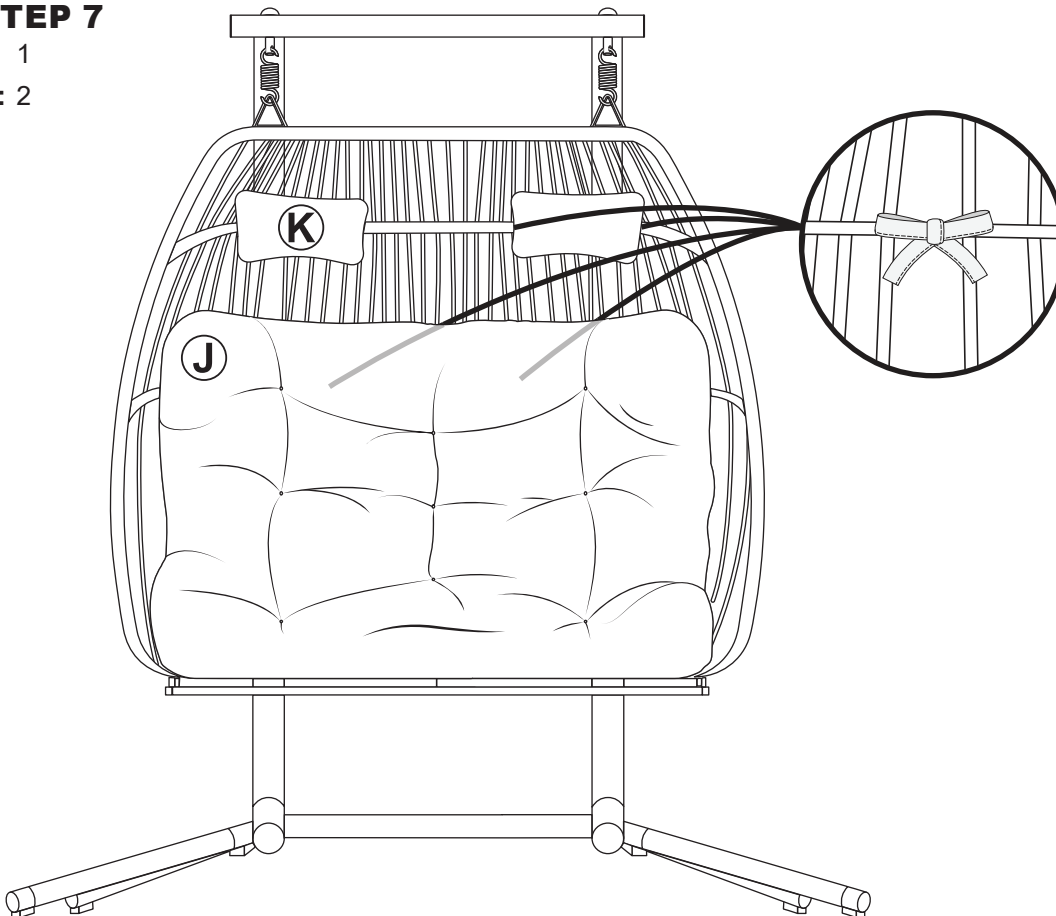
Hang the egg chair on the extension springs.

Wrap the loose end of the safety strap around the frame of the chair and secure it within the strap slip lock.

STEP 7

J: 1

K: 2



IMPORTANT:

Do not tie the seat cushion or pillows to the rattan material as doing so may cause the rattan to break and unravel.

Position Cushion (K) on the seat of the chair. Then, tie the back of the cushion to the frame of the chair.

Tie two Pillows (K) to the top horizontal bar.

USE & CARE

- **SAFE USE:** Do not swing, bounce, jump, twist, or other perform other excessive movements while using this unit; doing so may cause serious injury and product damage, including, but not limited to, the stand tipping over.
- **CHILDREN:** Supervise children at all times. Do not allow children to play on or sleep in any hanging chair.
- **INSPECTION:** Ensure the stand and chair are assembled correctly and all hardware is securely tightened before each use.
- **CLEANING:** Use a soft cloth, warm water and mild detergent to wipe down the stand if necessary. Dry the stand after cleaning to prevent rust.
- **SCRATCHES:** The powder coating on the stand is tough and durable but, even under normal use, some scratching is inevitable. To avoid excessive rust, wipe scratched areas to remove moisture.
- **STORAGE:** Store indoors when not in use. Cool, dry locations are recommended to prevent damage and rust that may result from exposure to moisture. Ensure cushion and pillows are dry before storing.

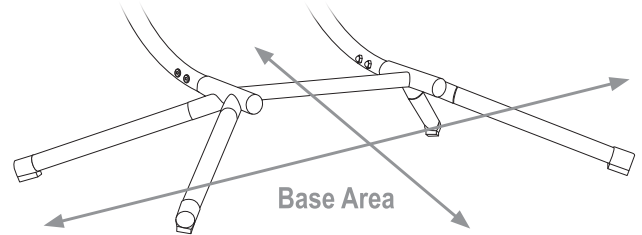
WARNING: THE ONE-YEAR WARRANTY DOES NOT COVER DAMAGES OR DEFECTS CAUSED BY THE APPLICATION OF CHEMICAL TREATMENTS, PROTECTIVE COATINGS, TOUCH-UP PAINT, OR CLEANING PRODUCTS.

TROUBLESHOOTING

- If the stand feels unstable, make sure it is on a level surface and the feet are correctly and evenly distributed.
- If the unit is making noise when in use, check to make sure all hardware is fully tightened.

! SAFETY STATEMENTS & WARNINGS !

- Do not exceed the weight limit.
- Do not stand or climb on any part of the unit.
- Sunnydaze Egg Chair with Stand is not a swing. Do not swing, bounce, jump, twist, or spin in the chair.
- Use care when getting in and out of the chair. When in use, the chair should remain inside the base area at all times. A diagram of the base area is shown on the right.
- The chair must be used with the provided safety strap attached to the stand and chair as shown in Steps 3 and 6. When securing the chair to the stand with the safety strap, only loop the strap around the frame of the chair, never the rattan.
- This unit must be used with all provided parts. Install all parts in accordance with the assembly instructions and inspect the stand before use.
- Ensure all hardware is securely installed and tightened before each use.
- Always inspect the stand and hardware for weakness and damage before each use.
- Do not allow children to use this product without adult supervision. Never leave children unattended.



Any modification to the product or failure to follow recommended care will void the product warranty.

If you experience issues with assembly or the product was damaged during shipping, please contact our customer service team through one of the methods mentioned at the top of page 1. Please have the item number and order information ready to expedite response time.

! WARNING:

Manufacturer and seller expressly disclaim any and all liability from personal injury, property damage or loss, whether direct or indirect, or incidental, resulting from the incorrect attachment, improper use, inadequate maintenance, or neglect of this product.