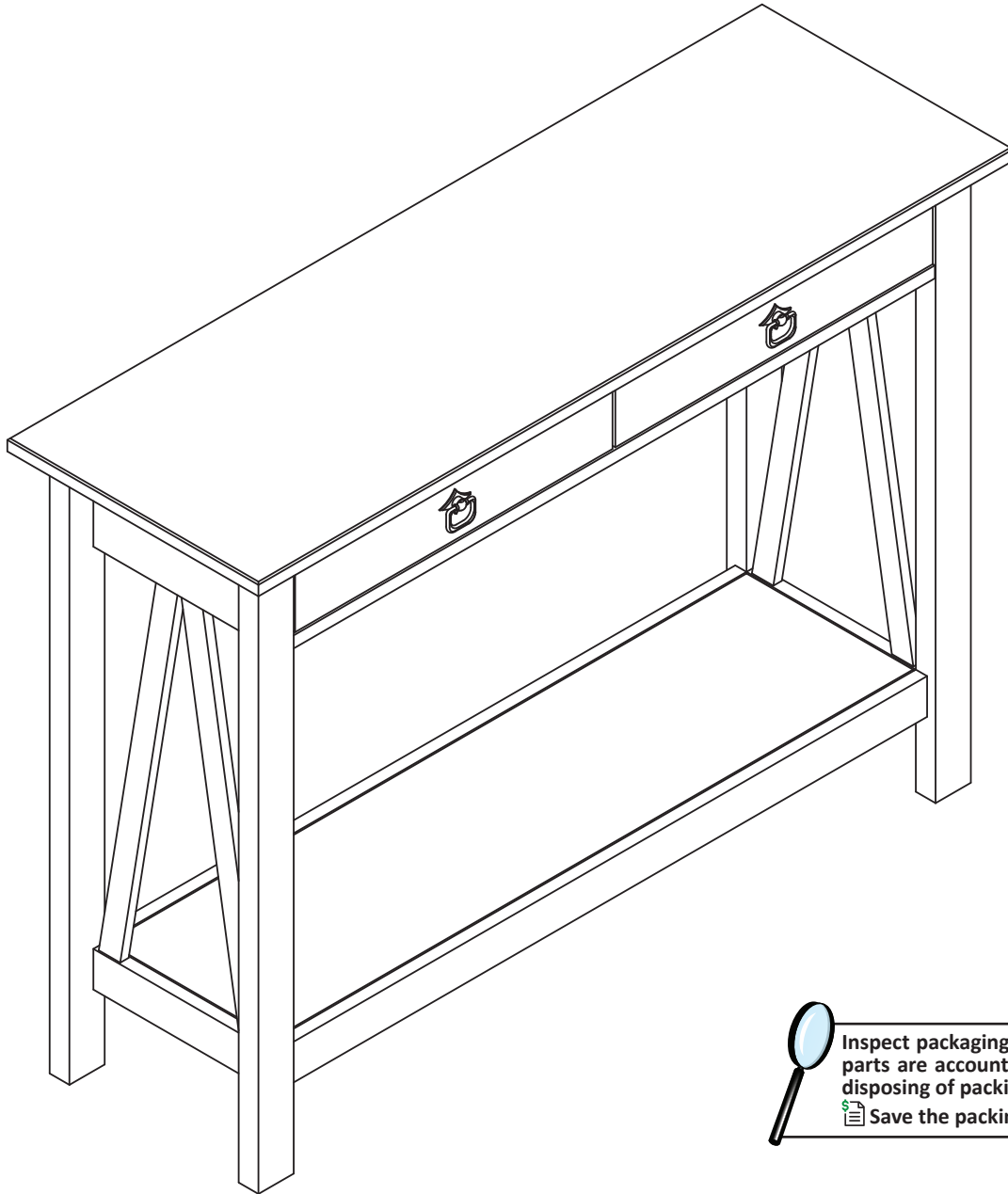


# 2-DRAWER CONSOLE TABLE AGR-783

Review all assembly and care information before using this product. Save this manual for future reference.  
**Assemble components on a soft, clean surface to avoid damaging the finish.**



Inspect packaging to ensure all parts are accounted for before disposing of packing materials.  
Save the packing slip.

## WARNING:

Manufacturer and seller expressly disclaim any and all liability from personal injury, property damage or loss, whether direct or indirect, or incidental, resulting from the incorrect attachment, improper use, inadequate maintenance, or neglect of this product.

# INTRODUCTION

**Read the manual carefully to ensure you fully understand all use, care, assembly, and safety information.**



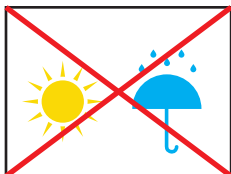
Read this manual carefully and follow the assembly instructions in the order listed. Pay close attention to assembly diagrams.



Regularly clean with a clean microfiber cloth to prevent dust accumulation.



Do not paint the unit.  
Do not use abrasive materials or cleaners to clean the furniture.



Indoor use only.  
Do not expose the furniture to heat or humidity.



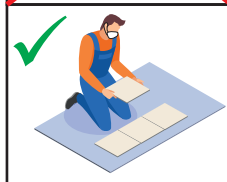
When cleaning nearby the furniture, do not allow contact with water or cleaners as it may deteriorate the furniture.



Do not allow metal components to come in contact with water or cleaners as it may cause rust and staining.



Assemble on a soft, flat, clean, and dry surface.

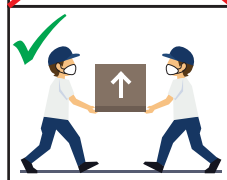


Use a soft, protective barrier when assembling the furniture.

**TIP:** Use the box carton as a protective layer to separate and protect the parts from scratches and other damage during assembly.



Do not push or drag furniture as doing so may damage the unit.  
Only move furniture when it is empty.

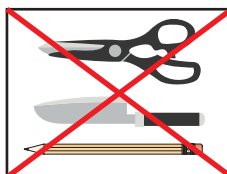


Always ask for help when moving furniture.



**Avoid Accidents** - Do not climb, sit or stand on the furniture.

Do not allow children to play on or inside the furniture.



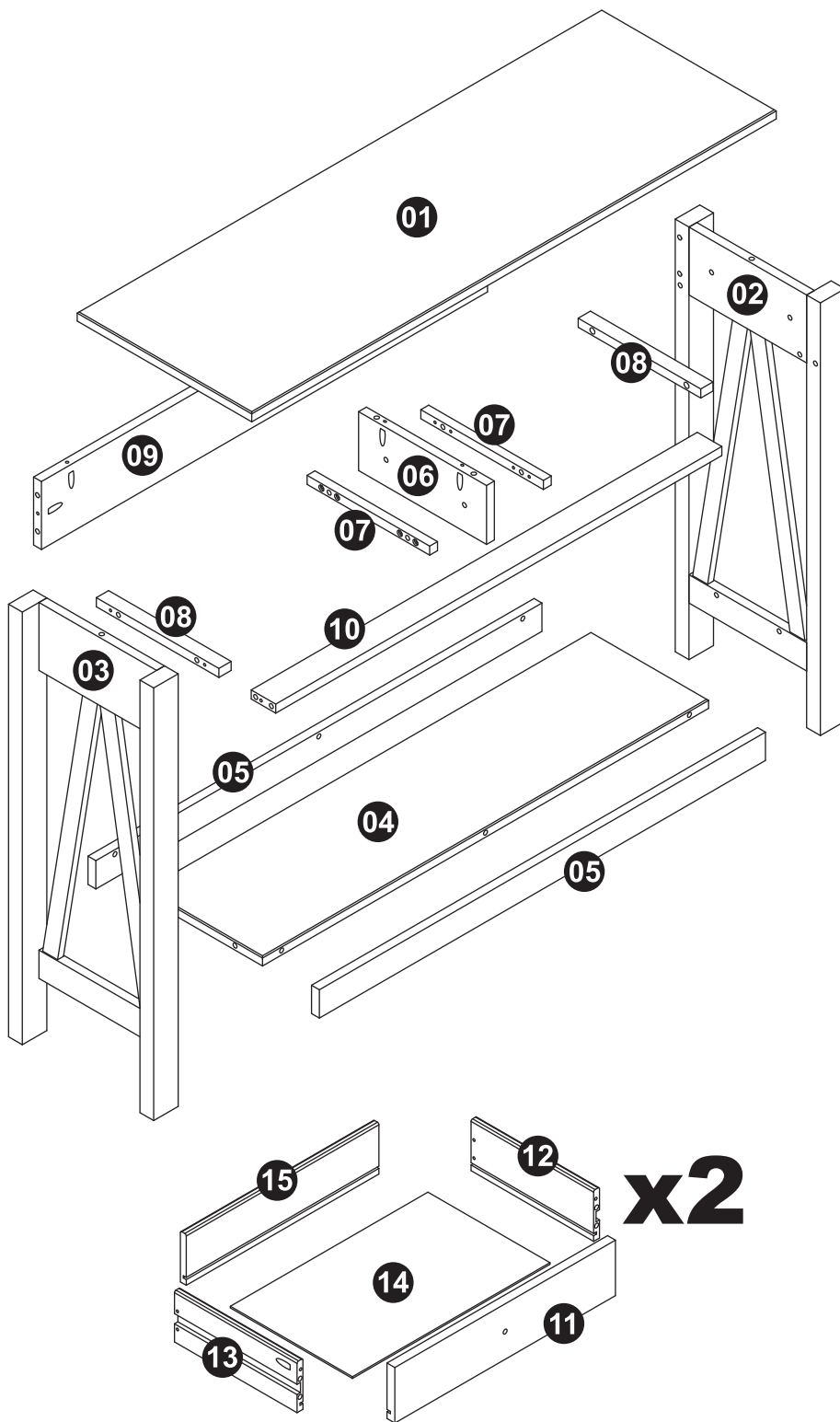
Keep sharp objects away as they may scratch or damage the unit.

Do not use the furniture as a writing surface without a padded barrier.

## **WARNING:**

Manufacturer and seller expressly disclaim any and all liability from personal injury, property damage or loss, whether direct or indirect, or incidental, resulting from the incorrect attachment, improper use, inadequate maintenance, or neglect of this product.

# COMPONENTS



Inspect packaging to ensure all parts are accounted for before disposing of packing materials.  
 Save the packing slip.

SEQ.	PART NAME	QTY.
01	Top	1
02	Right Side Panel	1
03	Left Side Panel	1
04	Shelf	1
05	Shelf Apron	2
06	Center Panel	1
07	Inside Drawer Rail (L/R)	2
08	Outside Drawer Rail (L/R)	2
09	Back Panel	1
10	Front Crossbar	1
11	Drawer Face	2
12	Right Drawer Side	2
13	Left Drawer Side	2
14	Drawer Bottom	2
15	Drawer Back	2

No.	HARDWARE	QTY.
A	Wood Dowel	40
B	M4.5x28mm Pan Screw	20
C	M3.5x30mm Flat Screw	8
D	M4.5x25mm Pan Screw	14
E	M4x22mm Round Washer Bolt	2
F	Handle Set	2
G	Connector	14
H	M4x40mm Flat Screw	1

TOOLS REQUIRED (not included)	
	Phillips Screwdriver
	Rubber Mallet

## ⚠ WARNING ⚠

**CHOKING HAZARD** — This item contains small parts that can be swallowed. Keep children and pets away during assembly.

# ASSEMBLY

Carefully review all steps and fully understand assembly before beginning.

**IMPORTANT:** Take care not to over-tighten screws as doing so may crack the wood or strip the screw hole, causing a weak connection and reduced stability.

## STEP 1

- 06: 1      10: 1
- 07: 2      12: 2
- 08: 2      13: 2
- 09: 1      A: 28

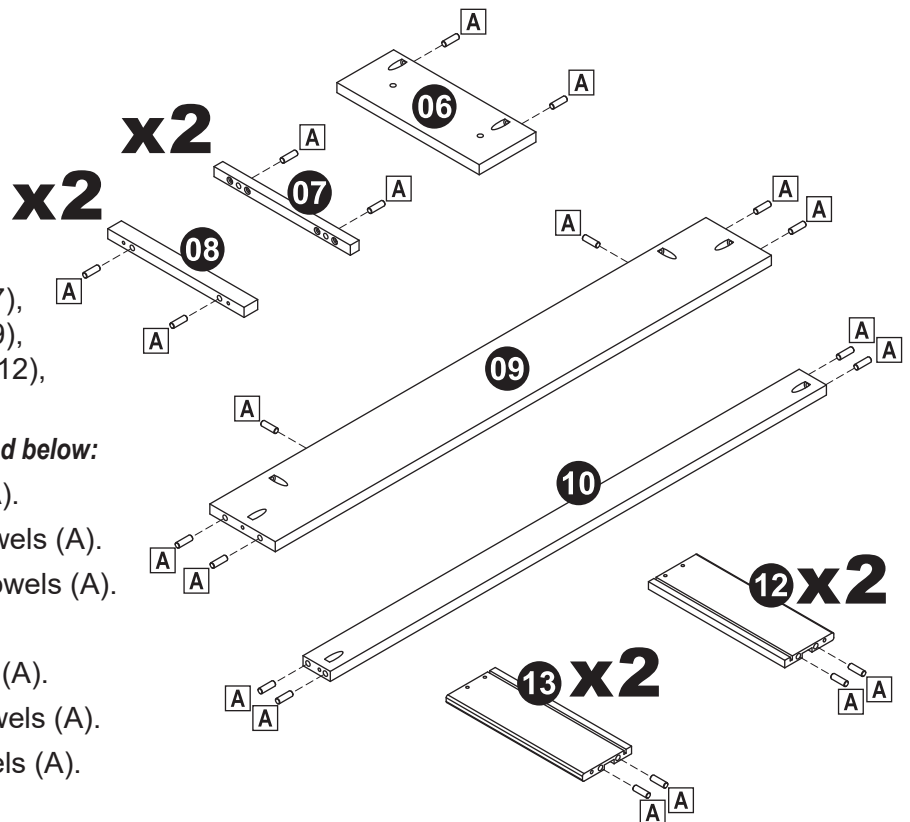
Locate and lay out

Center Panel (06), two Inside Drawer Rails (07), two Outside Drawer Rails (08), Back Panel (09), Front Crossbar (10), two Right Drawer Sides (12), and two Left Drawer Sides (13).

**Install Wood Dowels (A) for each component as noted below:**

- Center Panel (06), install two Wood Dowels (A).
- Inside Drawer Rails (07), install two Wood Dowels (A).
- Outside Drawer Rails (08) install two Wood Dowels (A).
- Back Panel (09), install six Wood Dowels (A).
- Front Crossbar (10), install four Wood Dowels (A).
- Right Drawer Sides (12), install two Wood Dowels (A).
- Left Drawer Sides (13), install two Wood Dowels (A).

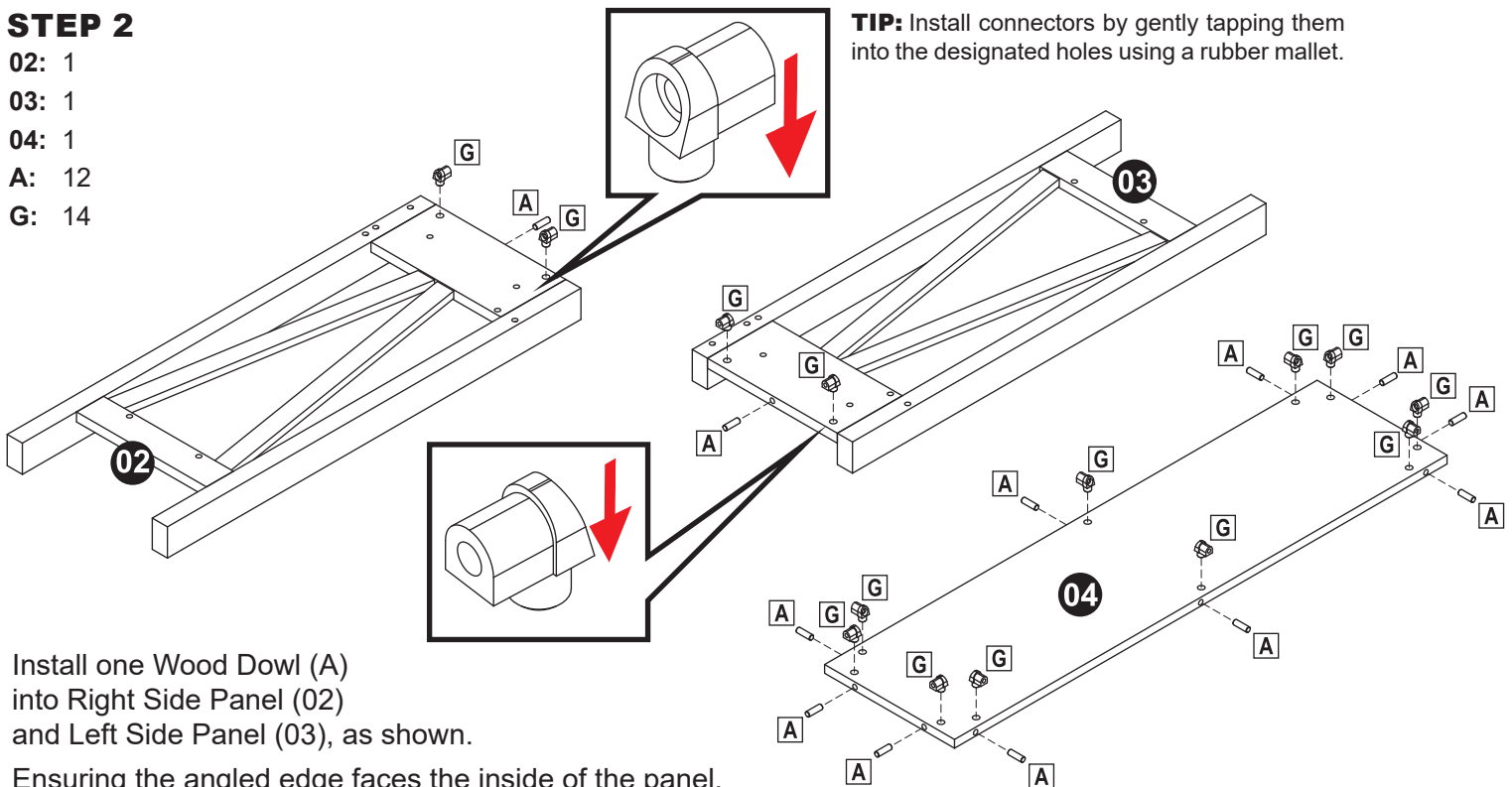
Set components aside, label if necessary.



## STEP 2

- 02: 1
- 03: 1
- 04: 1
- A: 12
- G: 14

**TIP:** Install connectors by gently tapping them into the designated holes using a rubber mallet.



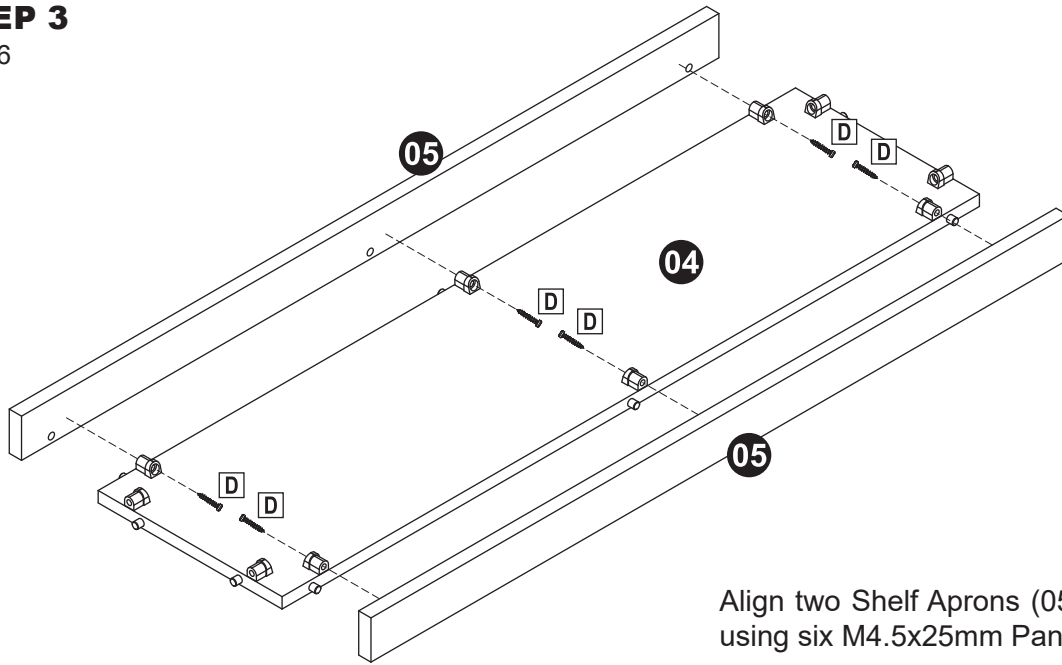
Install one Wood Dowel (A) into Right Side Panel (02) and Left Side Panel (03), as shown.

Ensuring the angled edge faces the inside of the panel, install two Connectors (G) into Right Side Panel (02) and Left Side Panel (03).

Install ten Wood Dowels (A) and ten Connectors (G) into Shelf (04), as shown.

### STEP 3

D: 6

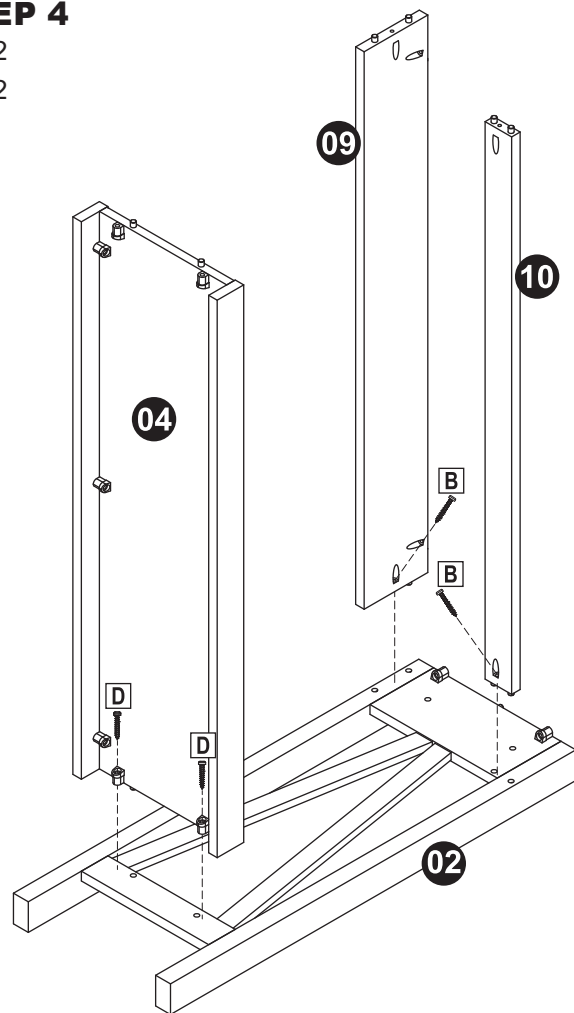


Align two Shelf Aprons (05) with Shelf (04) and secure using six M4.5x25mm Pan Screws (D).

### STEP 4

B: 2

D: 2

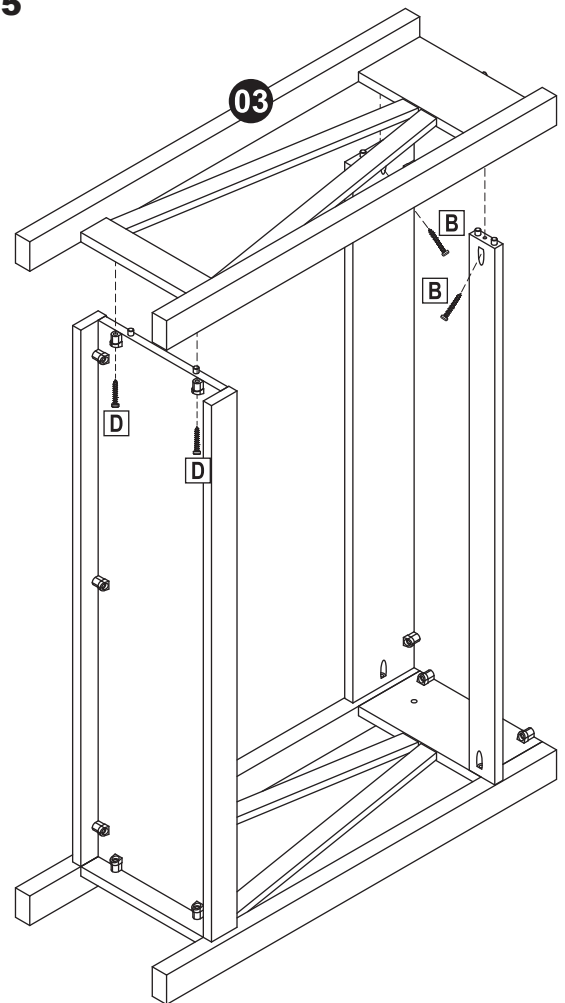


Secure Back Panel (09) to Right Side Panel (02) using one M4.5mmx28mm Pan Screw (B). Then, secure Front Crossbar (10) using one M4.5mmx28mm Pan Screw (B). Secure the shelf using two M4.5x25mm Pan Screws (D).

### STEP 5

B: 2

D: 2

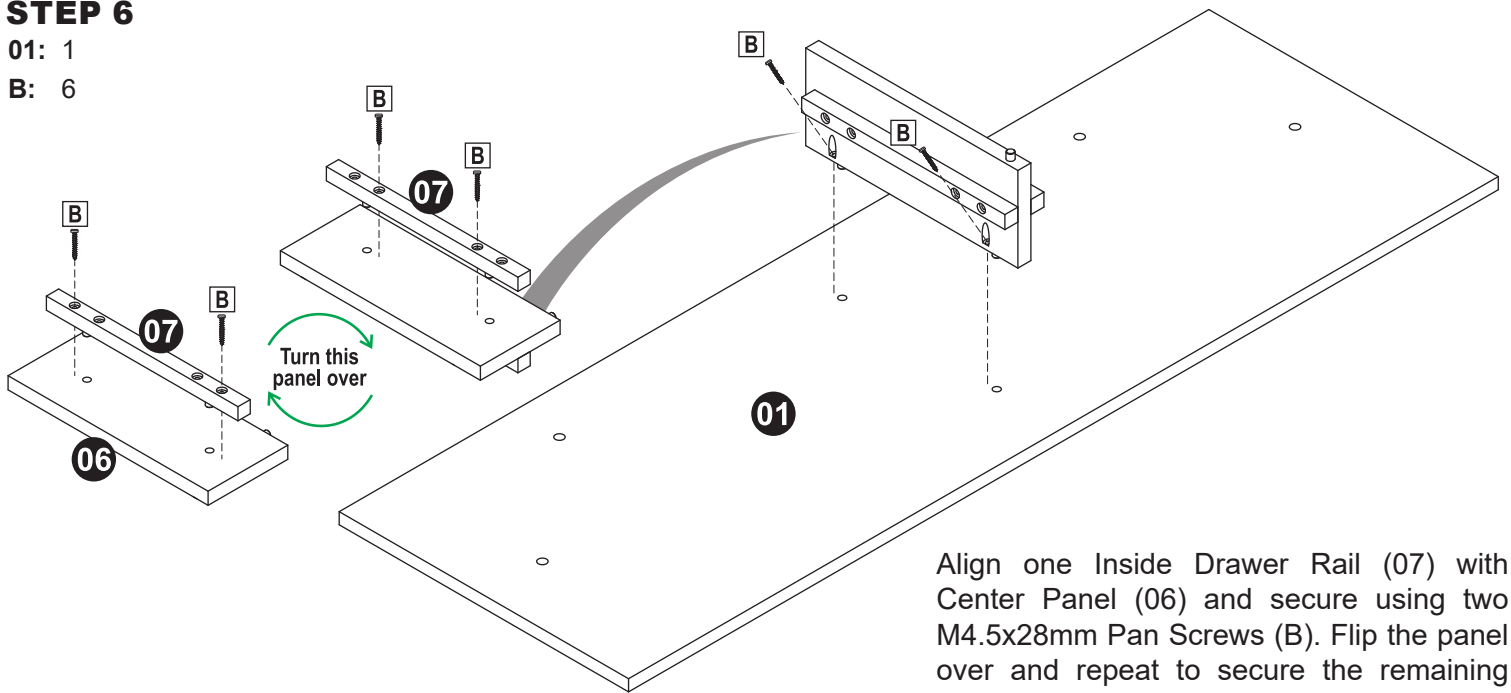


Secure Left Side Panel (03) using two M4.5mmx28mm Pan Screw (B) and two M4.5x25mm Pan Screws (D), as shown.

## STEP 6

01: 1

B: 6



Align one Inside Drawer Rail (07) with Center Panel (06) and secure using two M4.5x28mm Pan Screws (B). Flip the panel over and repeat to secure the remaining inside drawer rail.

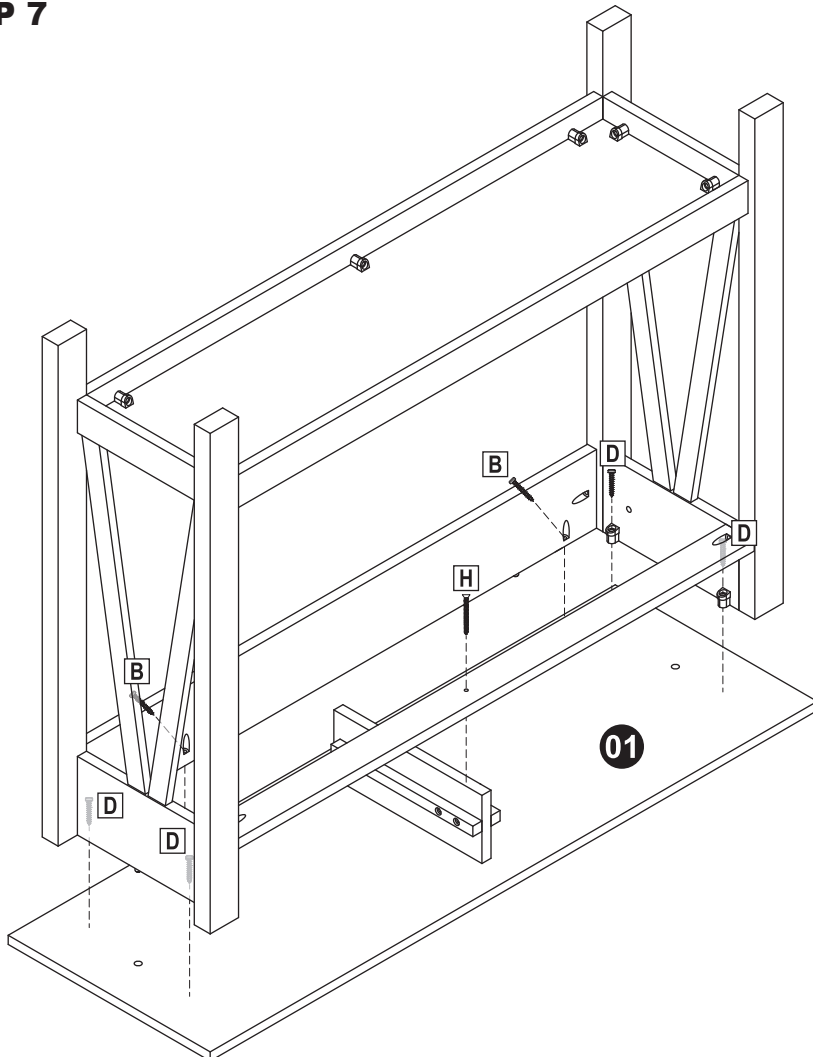
Align the center panel with Top (01) and secure using two M4.5x28mm Screws (B).

## STEP 7

B: 2

D: 4

H: 1



Align the assembled frame with the top.

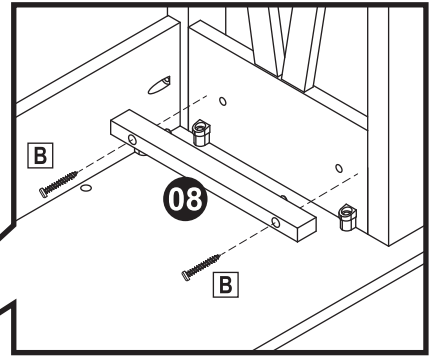
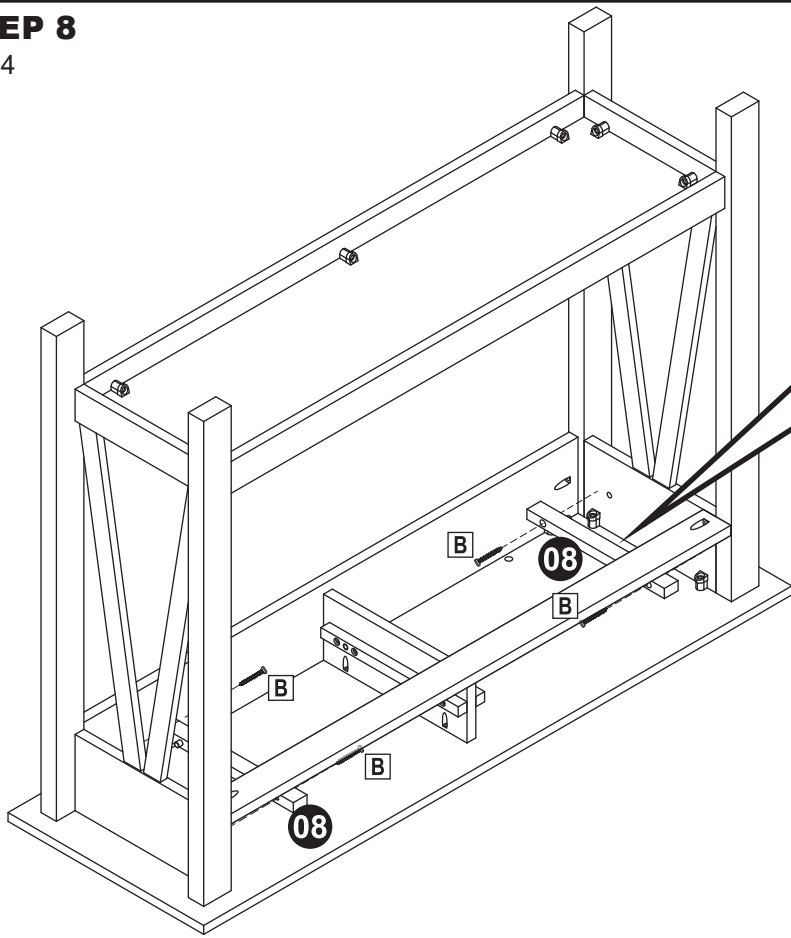
Secure the front crossbar to the center panel using one M4x40mm Flat Screw (H).

Secure the side panels to the top using four M4.5x25mm Pan Screws (D).

Secure the back panel to the top using two M4.5x28mm Pan Screws (B).

## STEP 8

B: 4



Align one Outside Drawer Rail (08) with one of the side panels and secure using two M4.5x28mm Pan Screws (B).

Repeat to secure the remaining outside drawer rail to the opposite side panel.

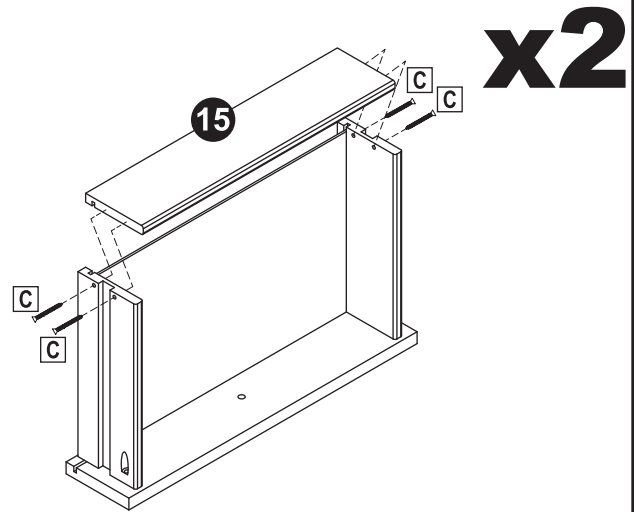
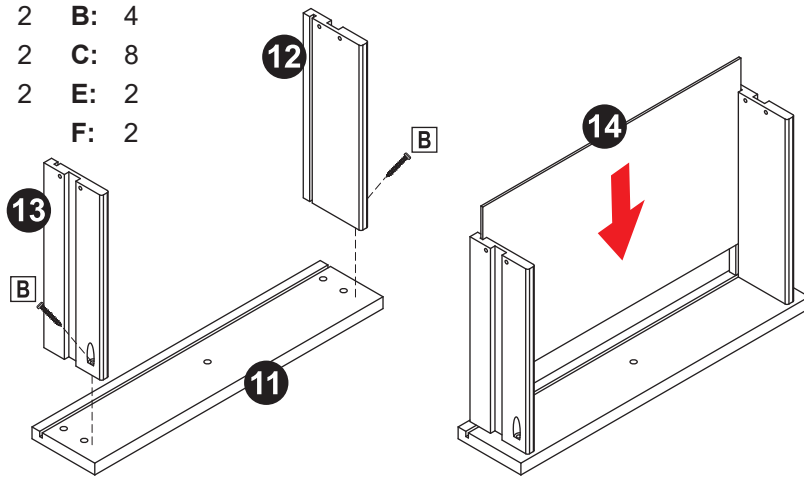
## STEP 9

11: 2 B: 4

14: 2 C: 8

15: 2 E: 2

F: 2

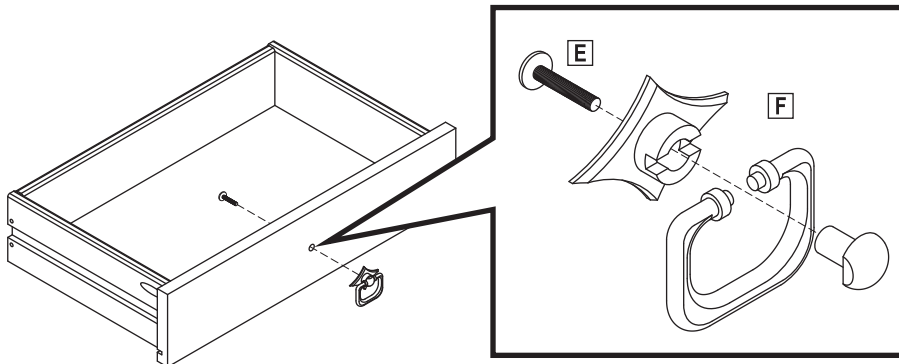


Ensuring the inside grooves align, secure Right Drawer Side (12) and Left Drawer Side (13) to Drawer Face (11) using two M4.5x28mm Pan Screws (B).

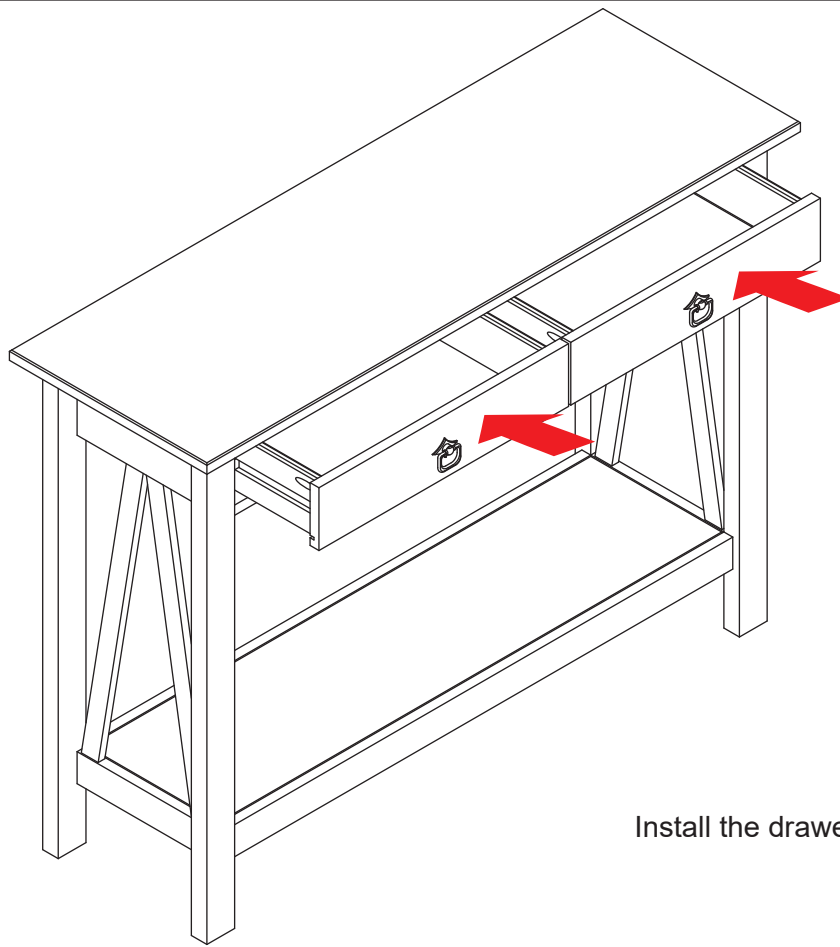
Slide Drawer Bottom (14) into the grooves, as shown.

Secure Drawer Back (15) to the drawer sides using four M3.5x30mm Flat Screws (C).

Ensuring the handle and handle plate remain straight, install one Handle Set (F), as shown.



## STEP 10



Install the drawers into the table, as shown.

## ! SAFETY STATEMENTS & WARNINGS !

- For residential use only. Not for commercial or industrial use.
- For indoor use only.
- Ensure fittings are tight before use. Periodically check fitting to ensure they are tight.
- Only use this unit on a flat, level surface.
- Do not sit, stand or climb on the unit.
- Supervise children; never allow children to climb or sit on this unit as it may tip over and cause serious injury.
- Do not place liquids or hot items directly on the furniture.
- Never use chemical cleaning products or polishes as they may damage the finish.
- Do not exceed the weight capacity of the furniture.
- Do not overload the drawers or shelf, as doing so may cause them to sag.
- Avoid long-term exposure to sunlight.
- Avoid placing unit near heating or cooling vents as forced air is very drying and can damage the unit.
- Do not write on furniture without a padded barrier to protect the surface.

**Any modification to the product or failure to follow recommended care will void the product warranty.**

*If you experience issues with assembly or the product was damaged during shipping, please contact our customer service team directly through one of the methods mentioned at the top of page 1.*

*Please have the item number and order information ready to expedite response time.*

## ! WARNING:

**Manufacturer and seller expressly disclaim any and all liability from personal injury, property damage or loss, whether direct or indirect, or incidental, resulting from the incorrect attachment, improper use, inadequate maintenance, or neglect of this product.**