

D.I.Y! STEM SERIES
USER MANUAL

TO ELEVATE THE PLAY EXPERIENCE, IT IS RECOMMENDED TO INCLUDE PARENTAL SUPERVISION DURING THE INITIAL SETUP OF THE DIY PRODUCT, AS CERTAIN COMPONENTS MAY ALREADY BE TEMPORARILY POSITIONED IN DESIGNATED LOCATIONS DURING SHIPPING. TO ENSURE THE CORRECT ASSEMBLY AND REMOVAL OF PARTS, PLEASE REFER TO THE RELEVANT SECTIONS IN THE MANUAL.

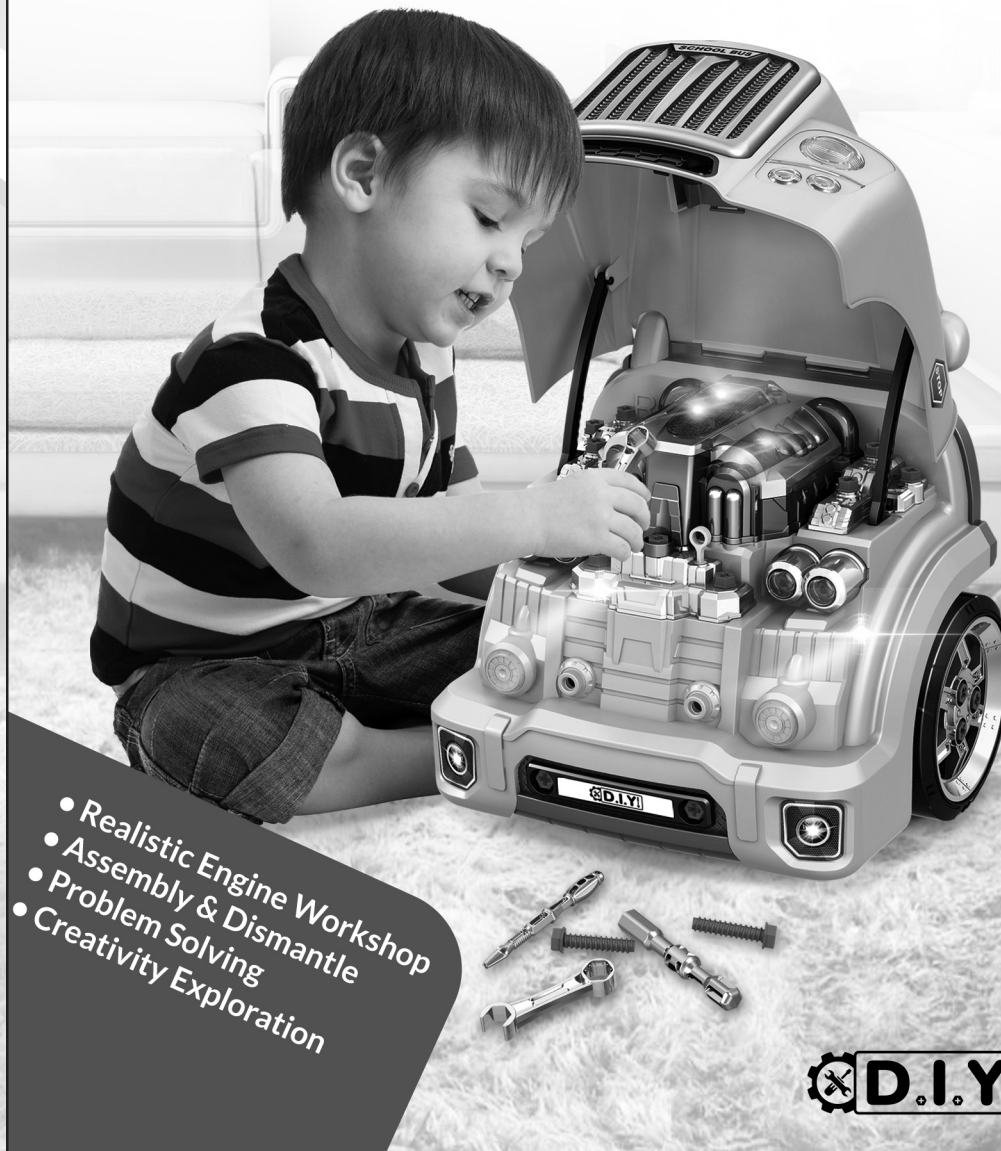


D.I.Y!

- Realistic Engine Workshop
- Assembly & Dismantle
- Problem Solving
- Creativity Exploration

D.I.Y!

D.I.Y! STEM SERIES



D.I.Y!

TABLE OF CONTENTS

INITIAL SETUP 1
 FEATURES - HIGHLIGHTS 2
 FEATURES - FRONT / BACK 3-10
 LABELS 11-12
 BATTERIES 12

WHATS INSIDE THE BOX:



⚠ If the product remains inactive for 3 minutes, it will enter sleep mode automatically. To wake the system up, simply press the start button.

X31

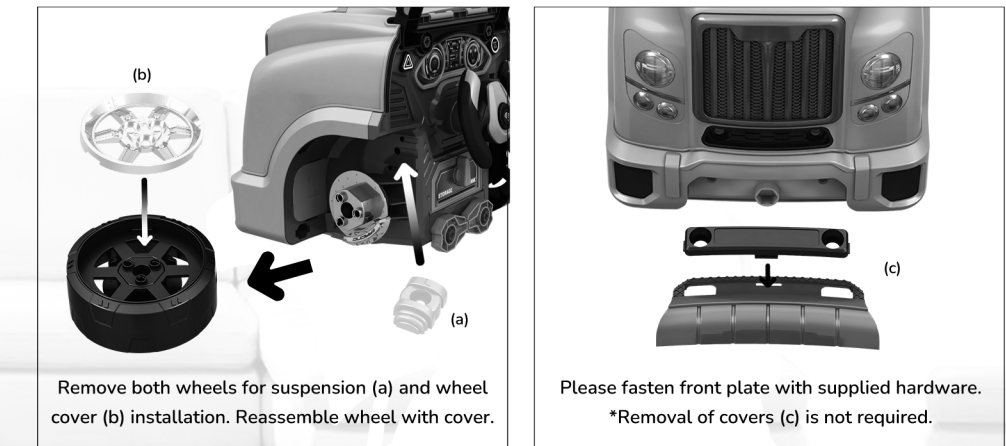
INITIAL SETUP

*PARENTAL SUPERVISION RECOMMENDED

Upon assembling your DIY product, please ensure that all listed components are included in the package. It is advised to refer to the following procedure for components temporarily positioned (Fig. 1 & 2), which may require initial removal and/or fastening with the provided hardware before engaging in full use.

Figure 1 - Parts Pre-Installed on BODY

- 1A. WHEELS - ONE (1) on each side 1B. LICENSE PLATE AND COVER

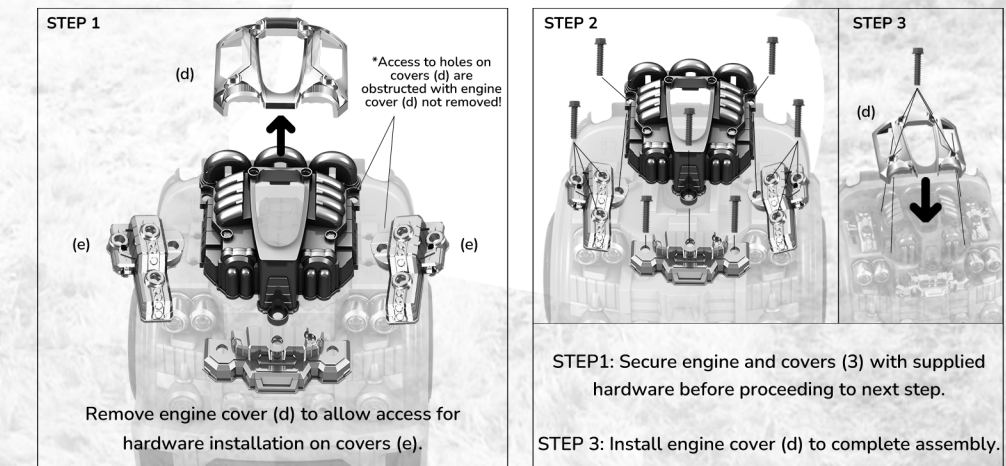


Remove both wheels for suspension (a) and wheel cover (b) installation. Reassemble wheel with cover.

Please fasten front plate with supplied hardware. *Removal of covers (c) is not required.

Figure 2 - Parts Pre-Installed in ENGINE BAY

The recommended sequence for securing all engine and covers is as follows to ensure both front and side covers are properly fastened using the supplied hardware and tools.



STEP 1: Remove engine cover (d) to allow access for hardware installation on covers (e).

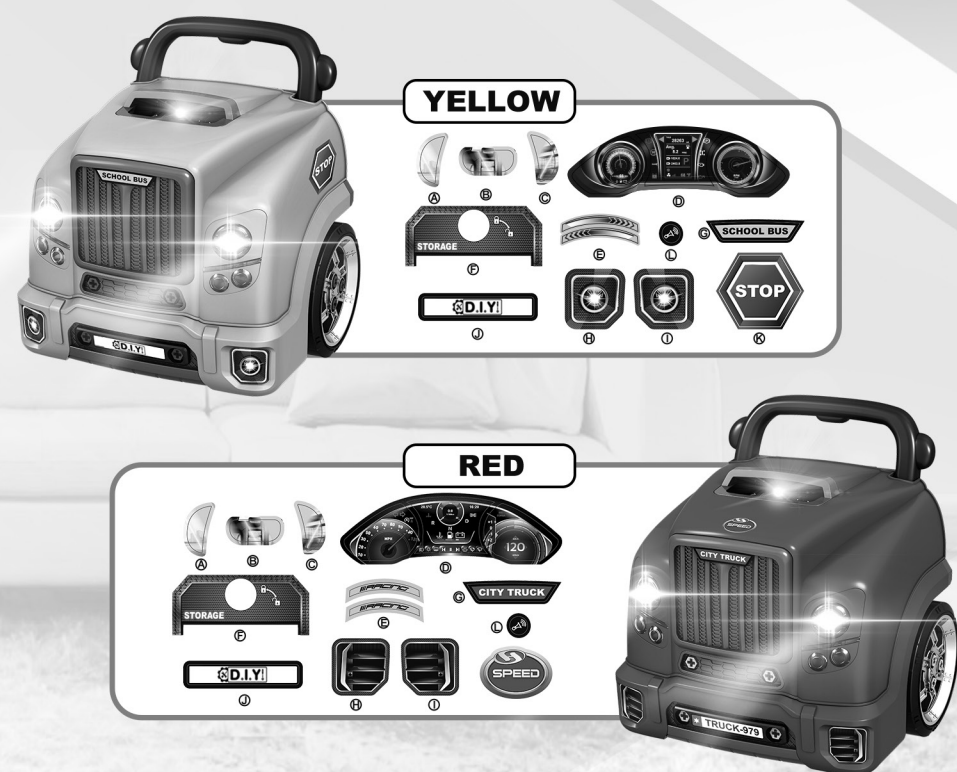
STEP 1: Secure engine and covers (3) with supplied hardware before proceeding to next step.

STEP 3: Install engine cover (d) to complete assembly.

1

DECALS

The provided decals are supplied in accordance with the purchased product. Please consult the product color options below and the designated placement of decals for application listed in the user manual. Parental supervision is recommended.



KEY FEATURES

1. Assemble & Disassemble Components
2. Working Engine Light & Sound
3. Oil Dip Stick
4. Working LED Headlamps
5. Removable Accessory Bolts
6. "Push-to-Start" Button
7. Steering Wheel with Horn
8. Realistic Working Gear Shift
9. Swiveling Jack Stands
10. Removable Rims & Tires



Tool & Parts Storage

2

FEATURES - FRONT



1 TOOLS

*The provided screwdriver (1) and socket wrench (1) can function independently of each other and can be combined into a 4-way cross wrench for added fun and support!

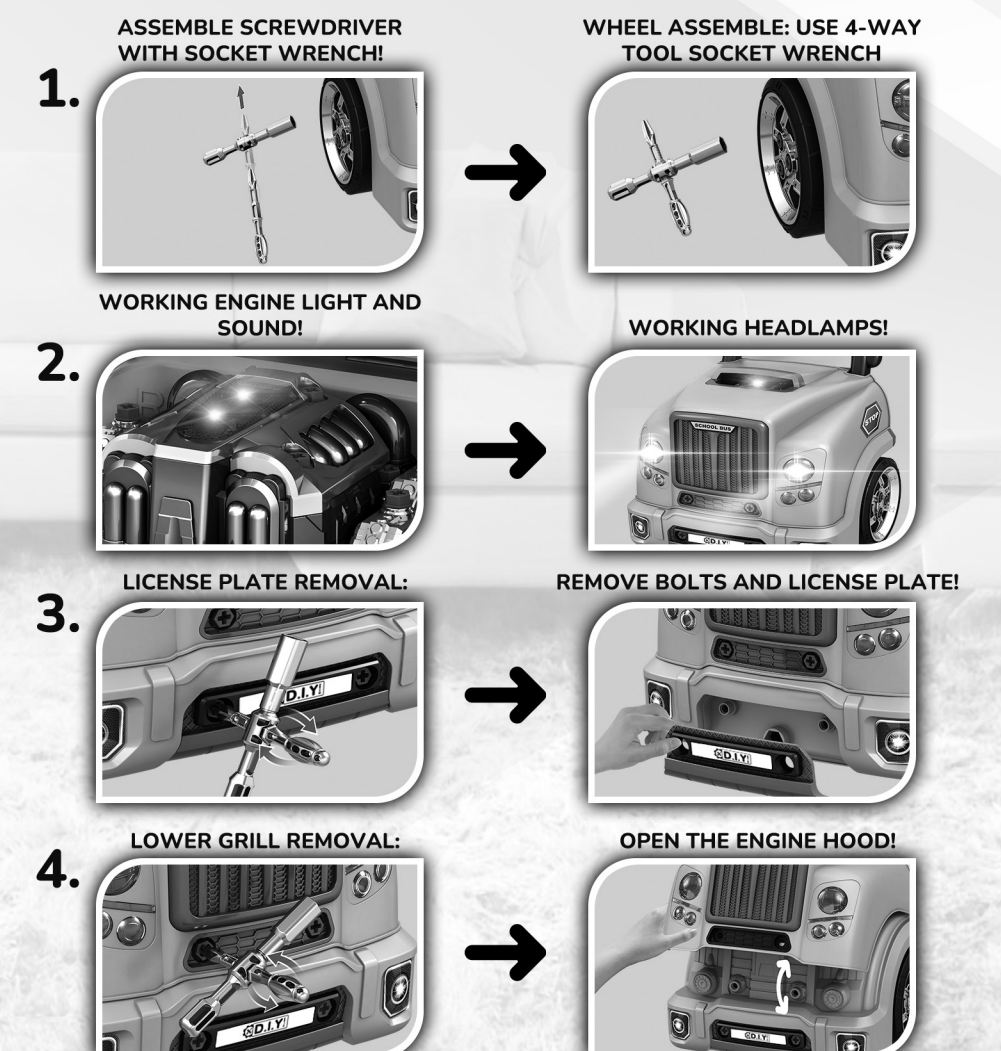


*Battery installation is necessary before the full operation of the product. Please refer to page 12 for installation instructions.

3

FEATURES - FRONT

For an enhanced and enjoyable experience, after the full assembly of the product, it is recommended that children aged 3 and above engage with the product, using the supplied tools to attempt and understand the process involved in dismantling and reinstalling all removable components, as well as exploring other features within the product!



1. ASSEMBLE SCREWDRIVER WITH SOCKET WRENCH!

WHEEL ASSEMBLY: USE 4-WAY TOOL SOCKET WRENCH



2. WORKING ENGINE LIGHT AND SOUND!

WORKING HEADLAMPS!



3. LICENSE PLATE REMOVAL:

REMOVE BOLTS AND LICENSE PLATE!



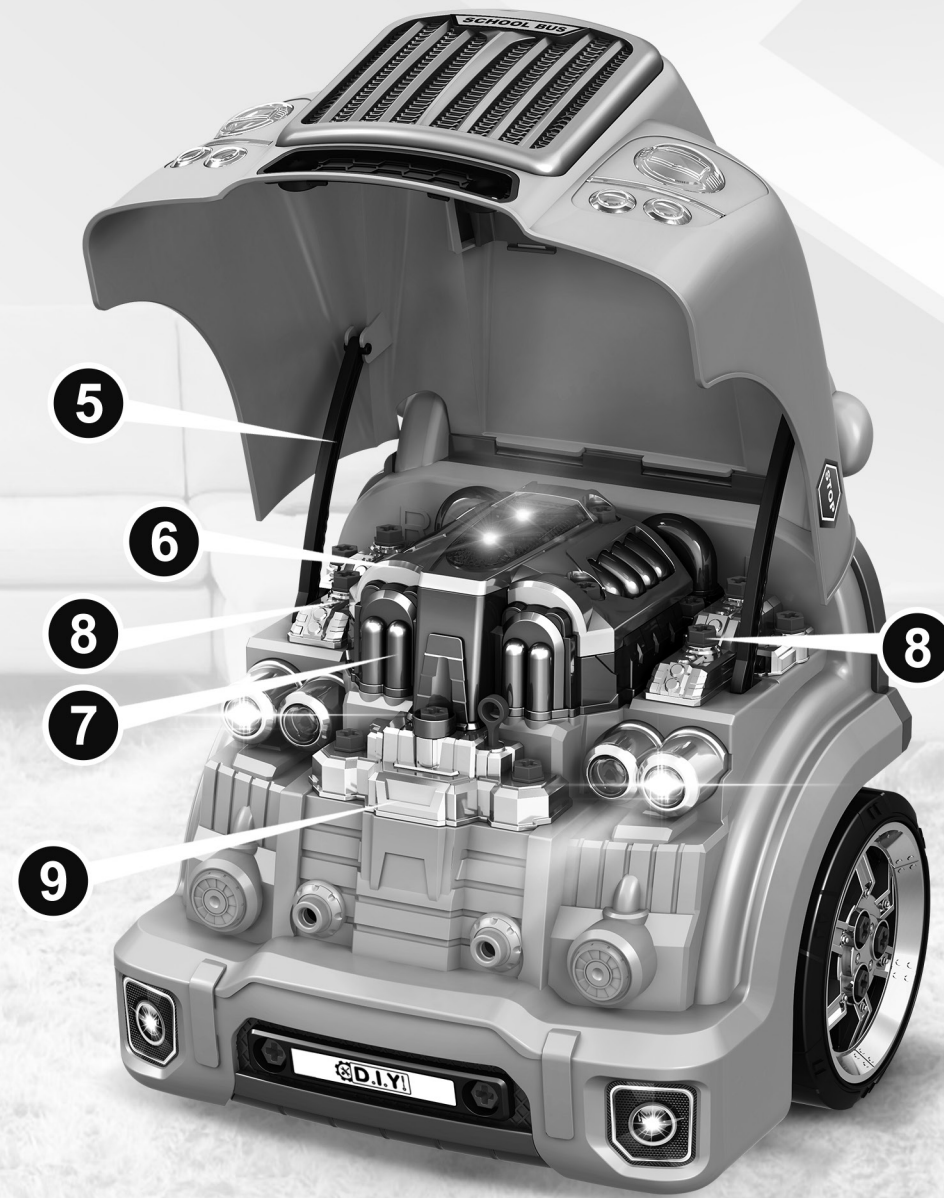
4. LOWER GRILL REMOVAL:

OPEN THE ENGINE HOOD!



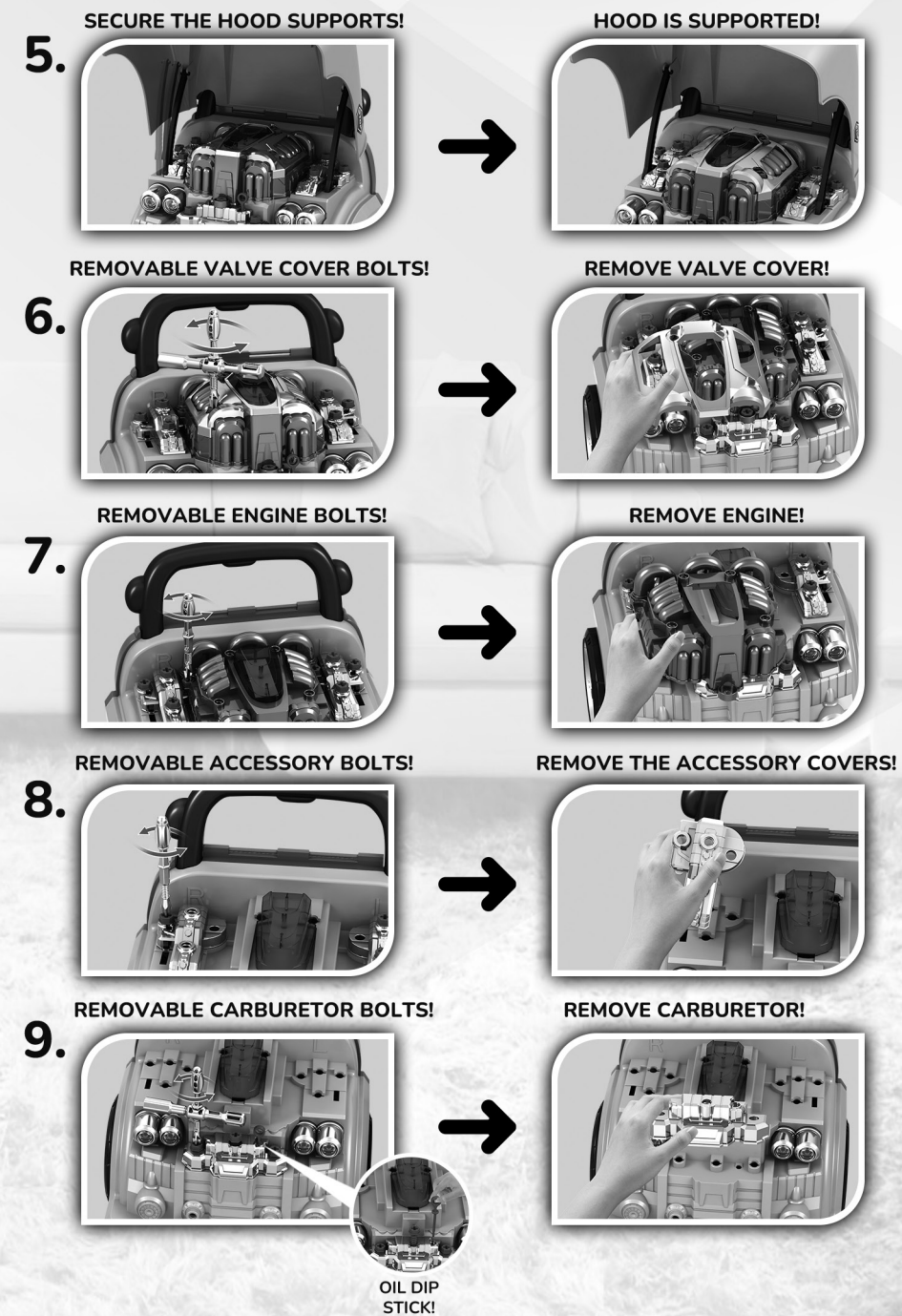
4

FEATURES- ENGINE



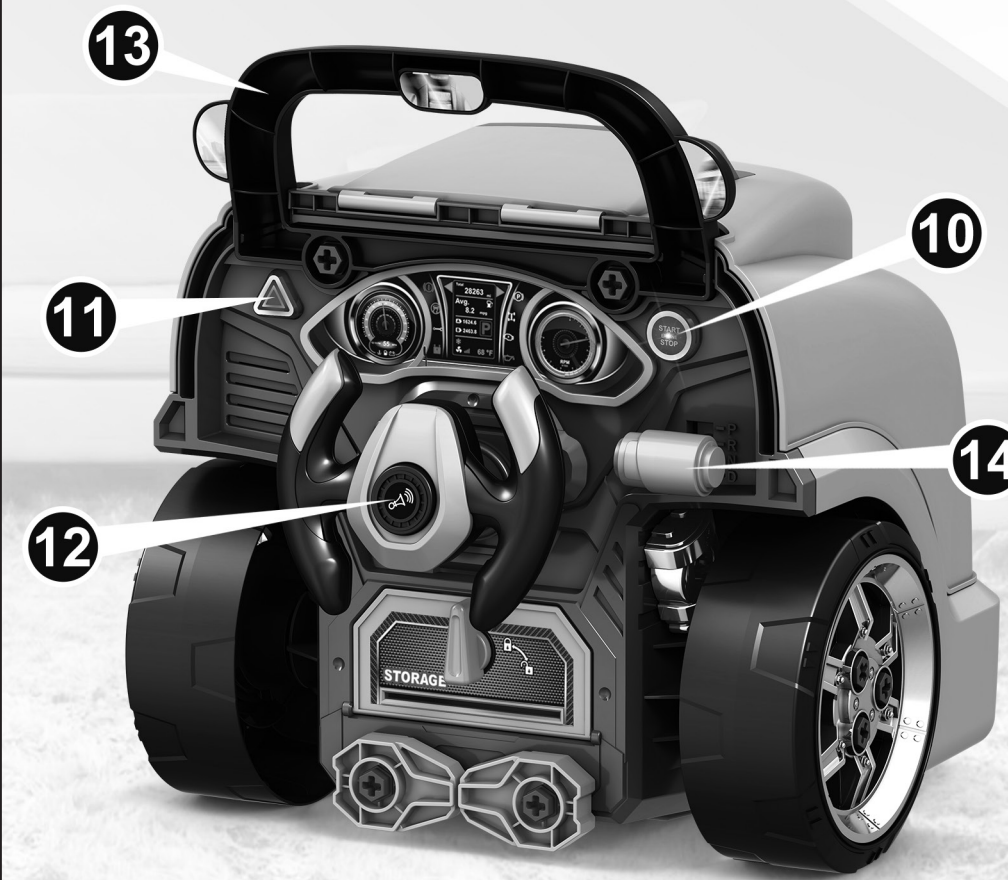
5

FEATURES - ENGINE



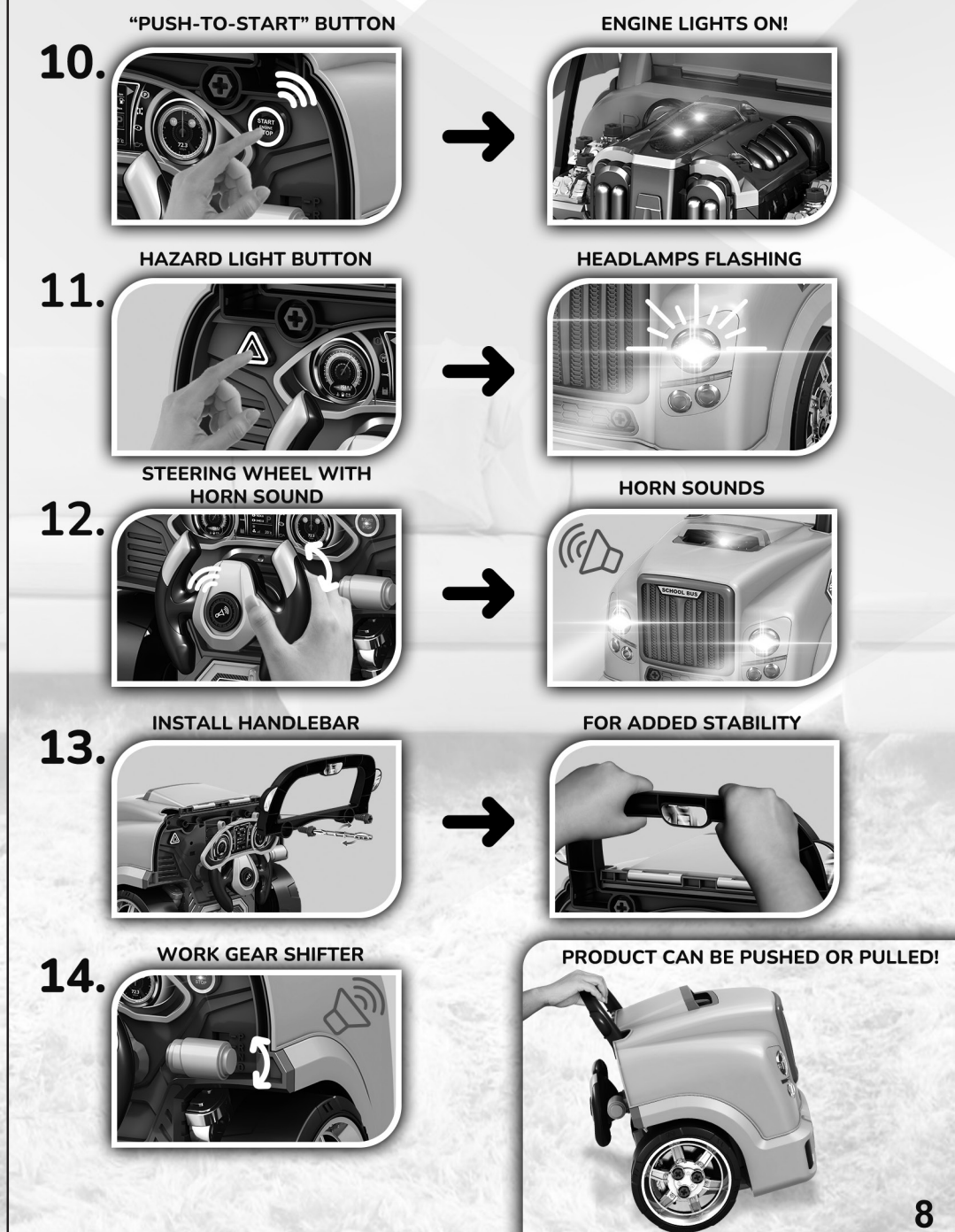
6

FEATURES - BACK



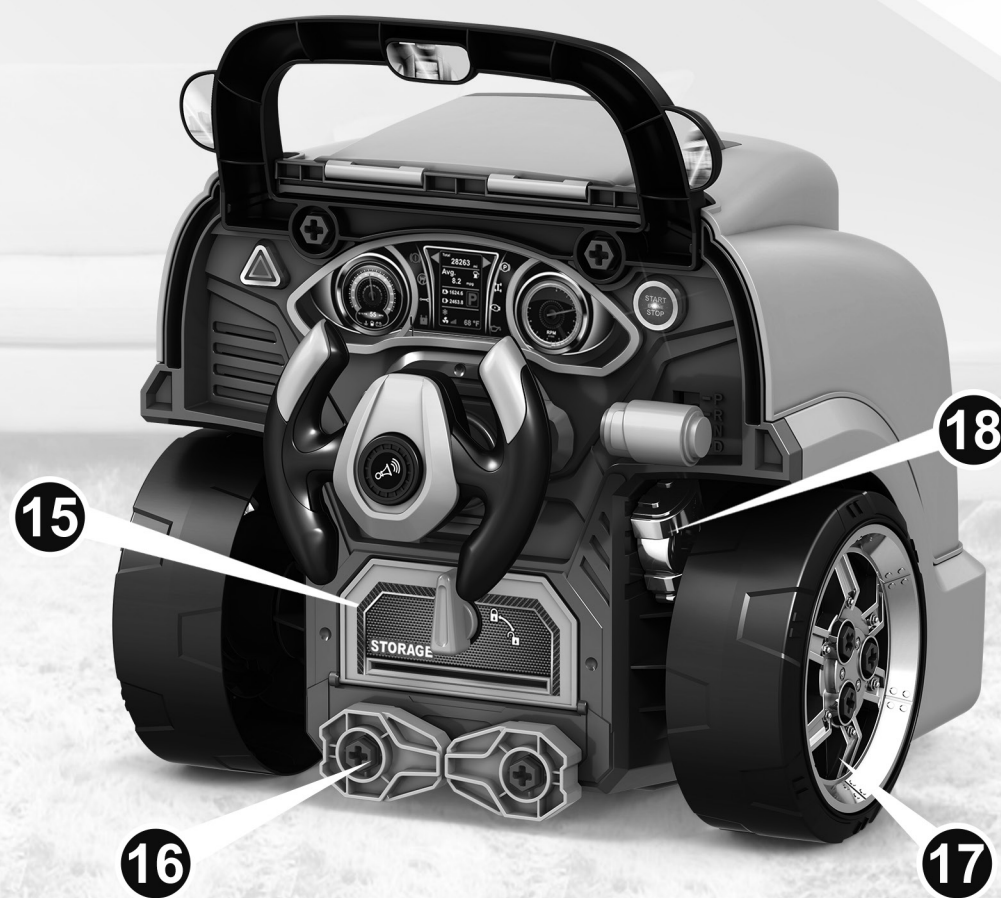
7

FEATURES - BACK



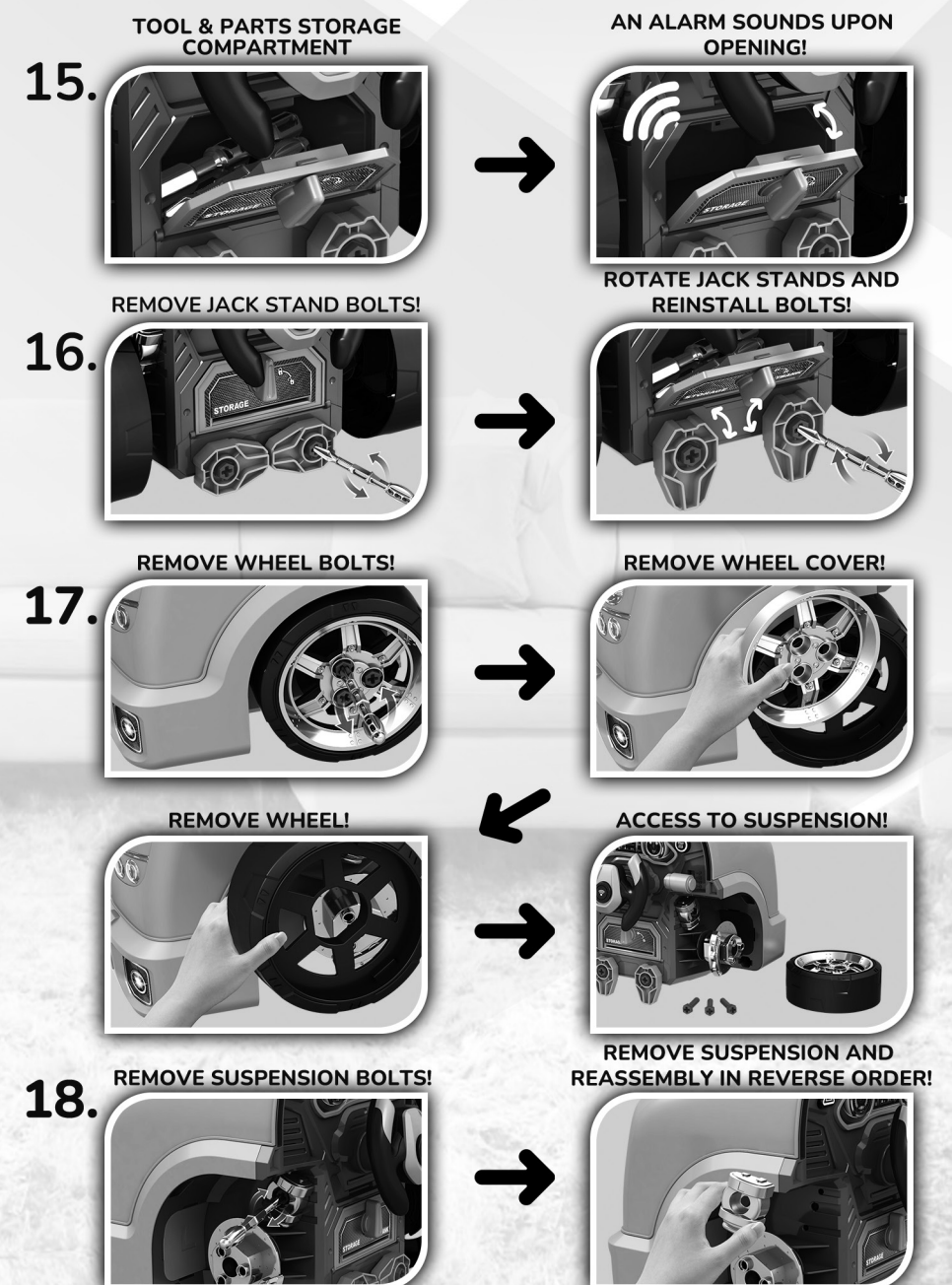
8

FEATURES - BACK



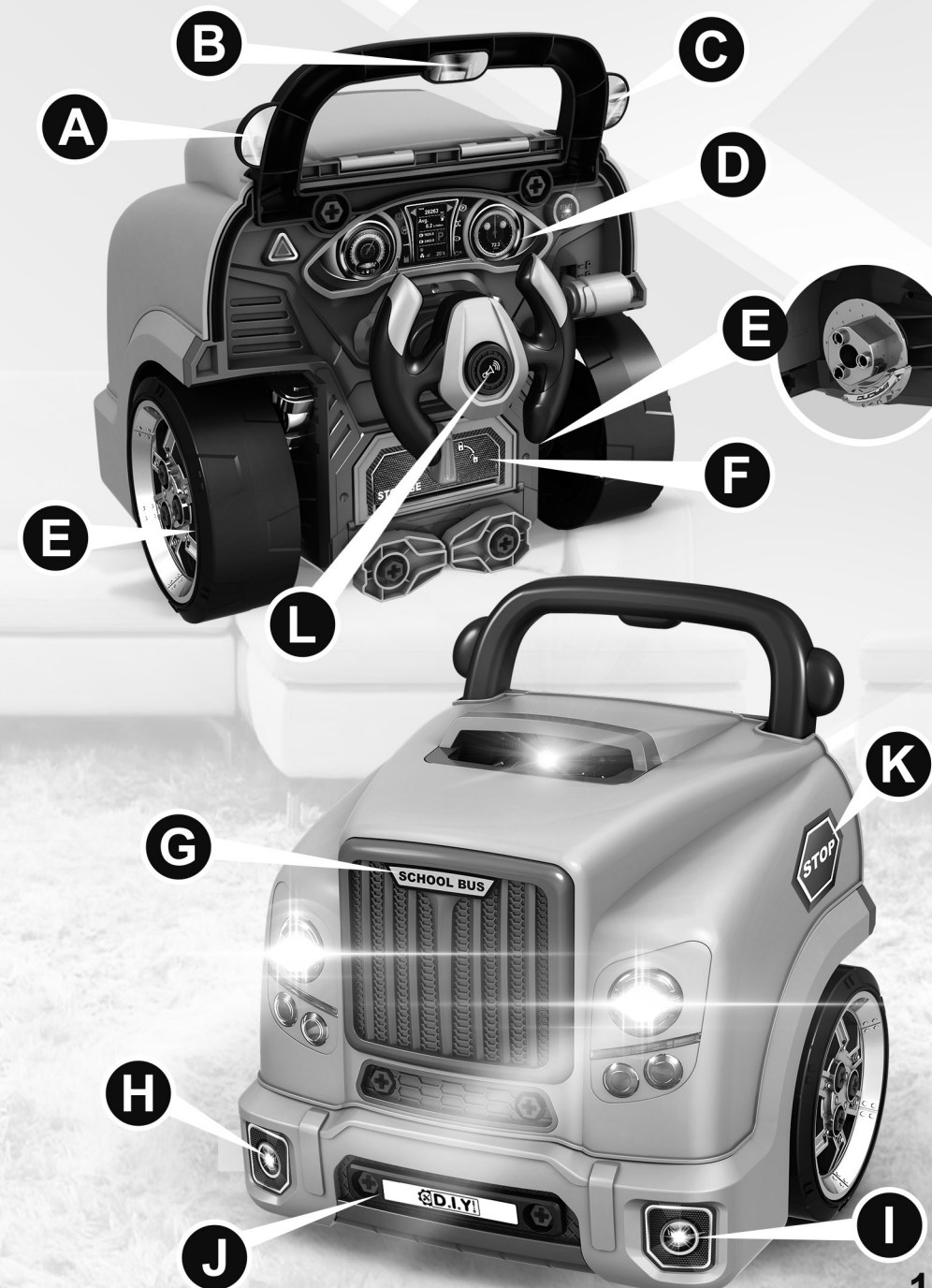
9

FEATURES - BACK



10

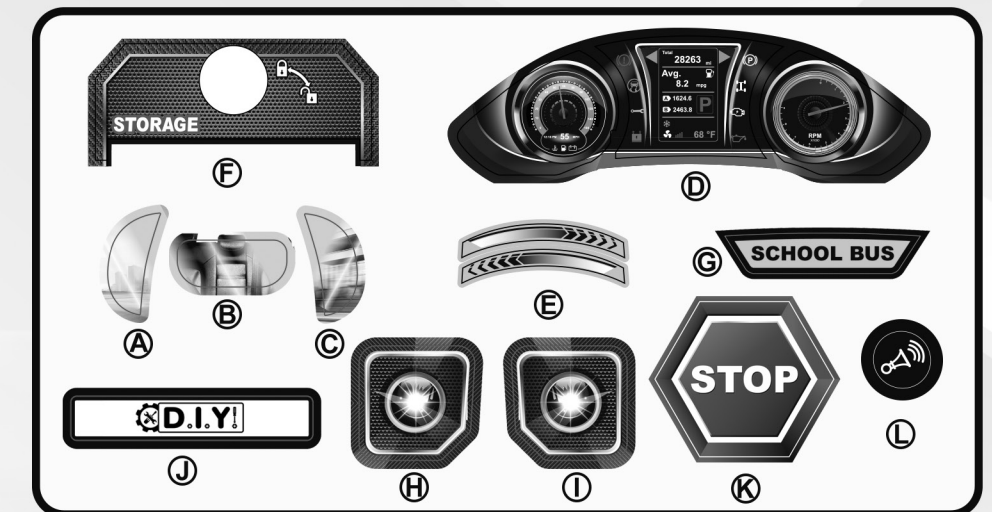
LABELS



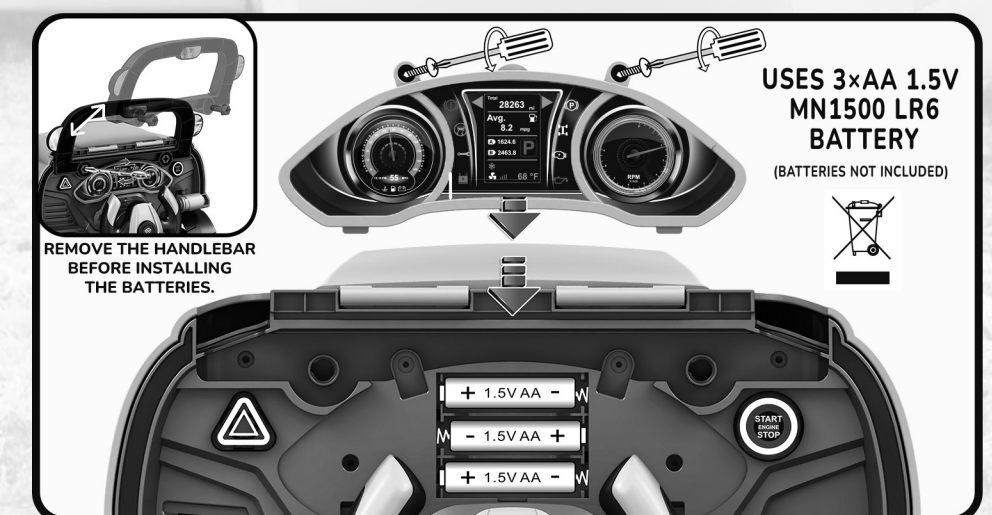
11

LABELS

LABEL PLACEMENT REFERENCE



BATTERIES



12