



BIG BEAR POWER

GX COMMERCIAL LLC

4301 S VALLEY VIEW BLVD. STE 10 AND 11

LAS VEGAS, NV 89103

725-274-6171

BBC82 ASSEMBLY MANUAL



REVISED 06-23-2024

STEP 1

PRE-DEPLOYMENT

1. REMOVE THE TOP AND SIDES FROM THE CRATE
2. LEAVE THE ENGINE TRANSMISSION ON THE PALLET
3. THIS MACHINE REQUIRES 2 PERSONS TO ASSEMBLE THIS MACHINE



MISSING PARTS? CALL 725-274-6171 GX COMMERCIAL PARTS DEPT

STEP 2

INSTALL TOW BAR

1. REMOVE TOP AND SIDES OF CRATE AND UNPACK ALL PARTS
2. ASSEMBLE THE TOW BAR



MISSING PARTS? CALL 725-274-6171 GX COMMERCIAL PARTS DEPT

STEP 3

ASSEMBLY REAR WHEELS TO AXLE

1. PREPARE THE AXLE AND WHEELS FOR ASSEMBLY
2. MOUNT BOTH WHEELS TO THE AXLE, TIGHTEN NUTS
3. POSITION AXLE BEHIND THE PALLET AS SHOWN
4. POSITION THE AXLE UPWARDS AS SHOWN TO BOLT TO MAIN FRAME



MISSING PARTS? CALL 725-274-6171 GX COMMERCIAL PARTS DEPT

STEP 4

AXLE INSTALL – 2 PERSONS REQUIRED

1. PERSON 1 - LIFT THE TOW BAR TILTING THE MACHINE BACKWARD
2. PERSON 2 - SLIDE ASSEMBLY MOUNT UNDER THE FRAME ALIGN WITH SLOT
3. PERSON 1 – LOWER THE MACHINE ONTO THE ASSEMBLY MOUNT
4. PERSON 1 – PUSH TOW BAR DOWN RAISING THE REAR FRAME UPWARD



MISSING PARTS? CALL 725-274-6171 GX COMMERCIAL PARTS DEPT

STEP 5

WHEEL AXLE INSTALLATION

1. PERSON 1 – HOLD TOW BAR DOWN SECURELY
2. PERSON 2 – MOUNT AXLE AS SHOWN. **KEEP CLEAR OF UNDERSIDE OF FRAME**
3. PERSON 2 - TIGHTEN BOTH MOUNTING BOLTS
4. PERSON 1 – ON THE ALL CLEAR – LOWER THE WHEELS TO THE GROUND

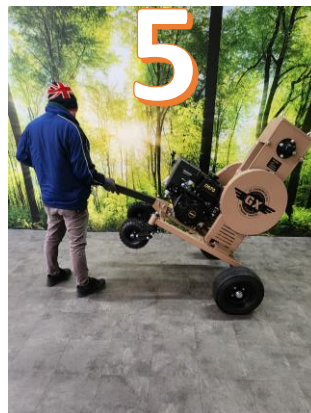


MISSING PARTS? CALL 725-274-6171 GX COMMERCIAL PARTS DEPT

STEP 6

INSTALL FRONT WHEELS

1. PERSON 1 – STEADY MACHINE ON ASSEMBLY STAND AS SHOWN
2. PERSON 2 - ASSEMBLE FRONT 2 WHEELS
3. PERSON 2 - TIGHTEN WHEEL MOUNTING BOLTS TO THE FRAME
4. PERSON 2 – REMOVE THE ASSEMBLY STAND
5. PERSON 2 – REMOVE THE PALLET
6. PERSON 1 – LOWER THE MACHINE FRONT WHEELS TO THE GROUND



MISSING PARTS? CALL 725-274-6171 GX COMMERCIAL PARTS DEPT

STEP 7

INSTALL FEED CHUTE

1. 2 PERSONS ARE BEST TO MOUNT THE FEED CHUTE ONTO THE HINGES
2. INSTALL ALL MOUNTING HARDWARE
3. TIGHTEN ALL MOUNTING HARDWARE



MISSING PARTS? CALL 725-274-6171 GX COMMERCIAL PARTS DEPT

STEP 8

DEPLOYMENT LOG CHUTE

1. ALIGN LOG CHUTE HINGES TO THE FRAME
2. INSTALL AND TIGHTEN ALL HARDWARE
3. PREPARE THE LOG SHIELD FOR MOUNTING
4. MOUNT THE LOG SHIELD AND TIGHTEN ALL BOLTS



MISSING PARTS? CALL 725-274-6171 GX COMMERCIAL PARTS DEPT

STEP 9

INSTALL THE LOG SHIELD BAG HOOKS

1. MOUNT THE BAG HOOKS ONTO THE LOG SHIELD



MISSING PARTS? CALL 725-274-6171 GX COMMERCIAL PARTS DEPT

STEP 10

INSTALL CHAINSAW TOOLBOX

1. **INSTALL CHAINSAW TOOLBOX MOUNTING PLATE AS SHOWN**
2. **READY TOOLBOX FOR INSTALL**
3. **OPEN TOOLBOX AND MOUNT WITH HARDWARE PROVIDED**
4. **CLOSE LATCH AND PIN LOCK THE CHAINSAW TOOLBOX**

1



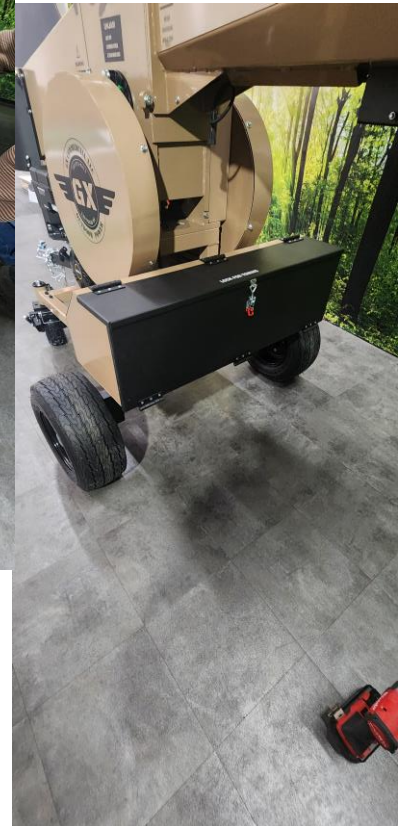
3



2



4



MISSING PARTS? CALL 725-274-6171 GX COMMERCIAL PARTS DEPT

STEP 11

INSTALL THE SAFETY SHUT OFF BAR

1. MOUNT THE BLACK BAR ON THE RIGHT SIDE OF THE SILVER BAR AS SHOWN
2. DOUBLE CHECK BLACK BAR TO THE RIGHT
3. SWING BAR UP AND MOUNT TO CHUTE SIDES
4. CHECK THE BAR LOCKS IN THE OFF POSITION WHEN PRESSED. NEVER OPERATE THE MACHINE IF THE BAR IS NOT WORKING. CHECK THIS BAR BEFORE EACH USE OF THE MACHINE.

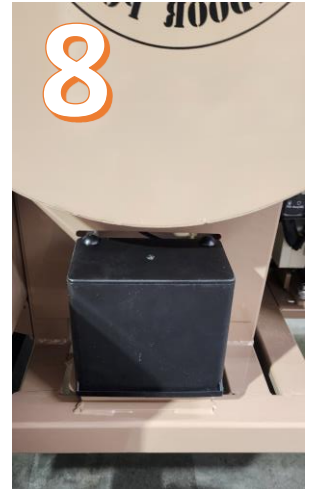
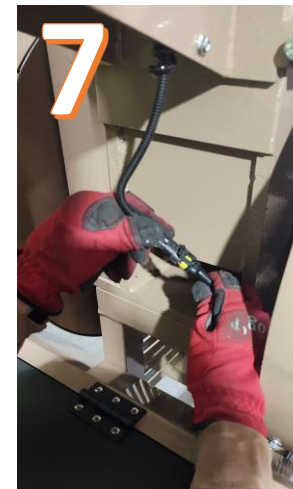
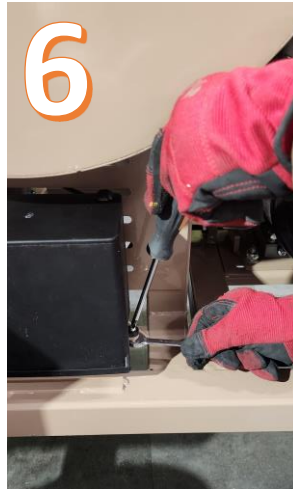
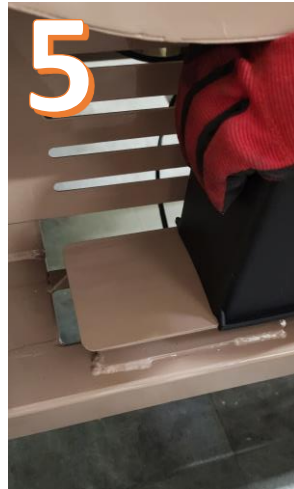


MISSING PARTS? CALL 725-274-6171 GX COMMERCIAL PARTS DEPT

STEP 12

ELECTRICAL INSTALL

- 1. PREPARE WIRES AND BATTERY AS SHOWN**
- 2. CONNECT RED WIRE POSITIVE**
- 3. CONNECT GREEN WIRE GROUND**
- 4. BEND TERMINALS DOWN AND SLIDE BATTERY COVER ON AS SHOWN**
- 5. SLIDE BATTERY CASE ONTO THE BATTERY MOUNTING PLATE**
- 6. ADD RETAINING SCREW TO SECURE THE CASE**
- 7. PLUG IN THE SAFETY BAR SHUT OFF WIRE TO THE ENGINE HARNESS**
- 8. CHECK YOU INSTALLATION IS SECURE AND WIRING HARNESS IS CONNECTED**



MISSING PARTS? CALL 725-274-6171 GX COMMERCIAL PARTS DEPT

STEP 13

LOG BAGS

- 1. LOG BAGS ARE SUPPLIED WITH YOUR MACHINE**
- 2. BAGS CAN BE USED WITH TOW BAR REMOVED**
- 3. ENJOY YOUR MACHINE, OPERATE THE MACHINE SAFELY**
- 4. DO NOT OVERLOAD THIS MACHINE WITH LOGS OVER 5 INCHES IN DIAMETER**



MISSING PARTS? CALL 725-274-6171 GX COMMERCIAL PARTS DEPT

FINISH LINE

CONGRATULATIONS ON A GREAT JOB ASSEMBLING !

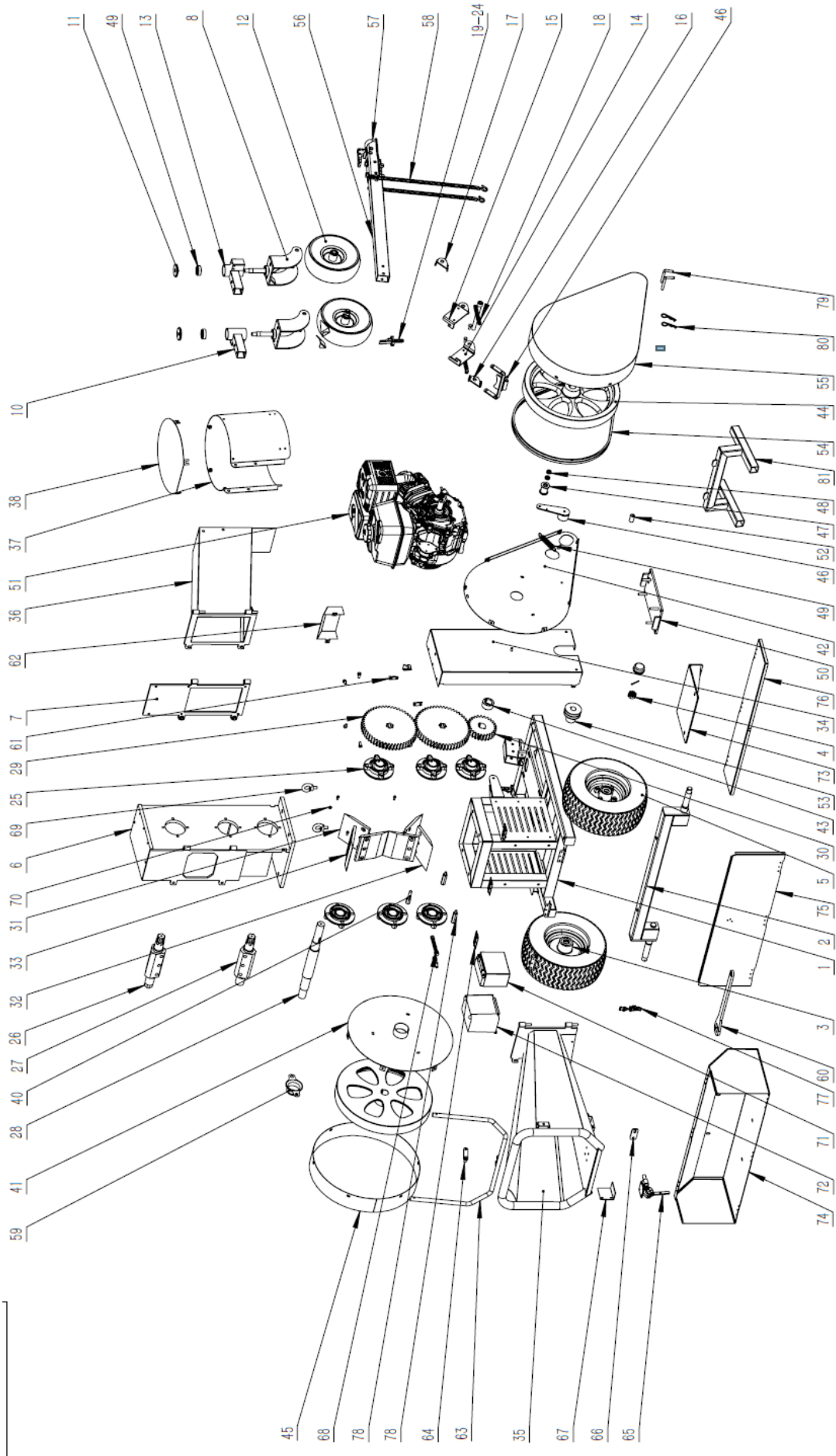
- 1. CHECK YOUR BOLTS ON YOUR MACHINE BEFORE EACH USE**
- 2. CHECK YOUR OSHA COMPLIANT SAFETY SHUT OFF BAR BEFORE EACH OPERATION**
- 3. USE 10W-30 1.1L FOR YOUR ENGINE OIL API SERVICE LEVEL SJ**
- 4. CHECK YOUR OIL LEVEL ON LEVEL GROUND, REINSERT THE DIP STICK WITHOUT SCREWING IT IN TO CHECK THE OIL LEVEL. CHANGE YOUR OIL AFTER FIRST 20 HOURS. THEN EVERY 250 HOURS THEREAFTER.**
- 5. USE ONLY BIGBEAR OEM PARTS. ONLY BIGBEAR HIGH PERFORMANCE TORNADIC BLADES FIT BIGBEAR CHIPPERS. CALL 725-274-6171 FOR PARTS IN LAS VEGAS, NV.**
- 6. USE HIGH GRADE GASOLINE IN THIS RATO ENGINE**
- 7. REPLACE YOUR BLADES AND DRIVE BELTS ONCE PER YEAR MINIMUM**
- 8. ALL DRUM BEARINGS AND WHEEL BEARINGS ARE PREPACKED AT FACTORY, GREASE ONCE PER YEAR WITH AXEL AND BEARING GREASE.**
- 9. FOLLOW YOUR MAINTENANCE SCHEDULE IN THE ENGINE MANUAL AND KEEP RECORDS**
- 10. THE INTENDED USE OF THIS LOGGER IS TO LOG 5 INCH MAX TREES ONLY.**
- 11. TOW YOUR MACHINE AT 45MPH MAX AND SLOW TO 25 MPH FOR TURNING**
- 12. FOLLOW ALL THE SAFETY RULES RECOMMENDED BY OSHA AND THE SAFETY WARNINGS ON THIS EQUIPMENT.**
- 13. DO NOT MODIFY THIS EQUIPMENT IN ANY WAY**
- 14. KEEP THOSE AROUND YOU A SAFE DISTANCE WHEN RUNNING THIS MACHINE**
- 15. DO NOT OPERATE THIS MACHINE UNDER THE INFLUENCE OF MEDS DRUGS OR ALCOHOL**
- 16. WEAR PROTECTIVE SAFETY HEAD GEAR, LONG PANTS, WORK BOOTS, GLOVES**



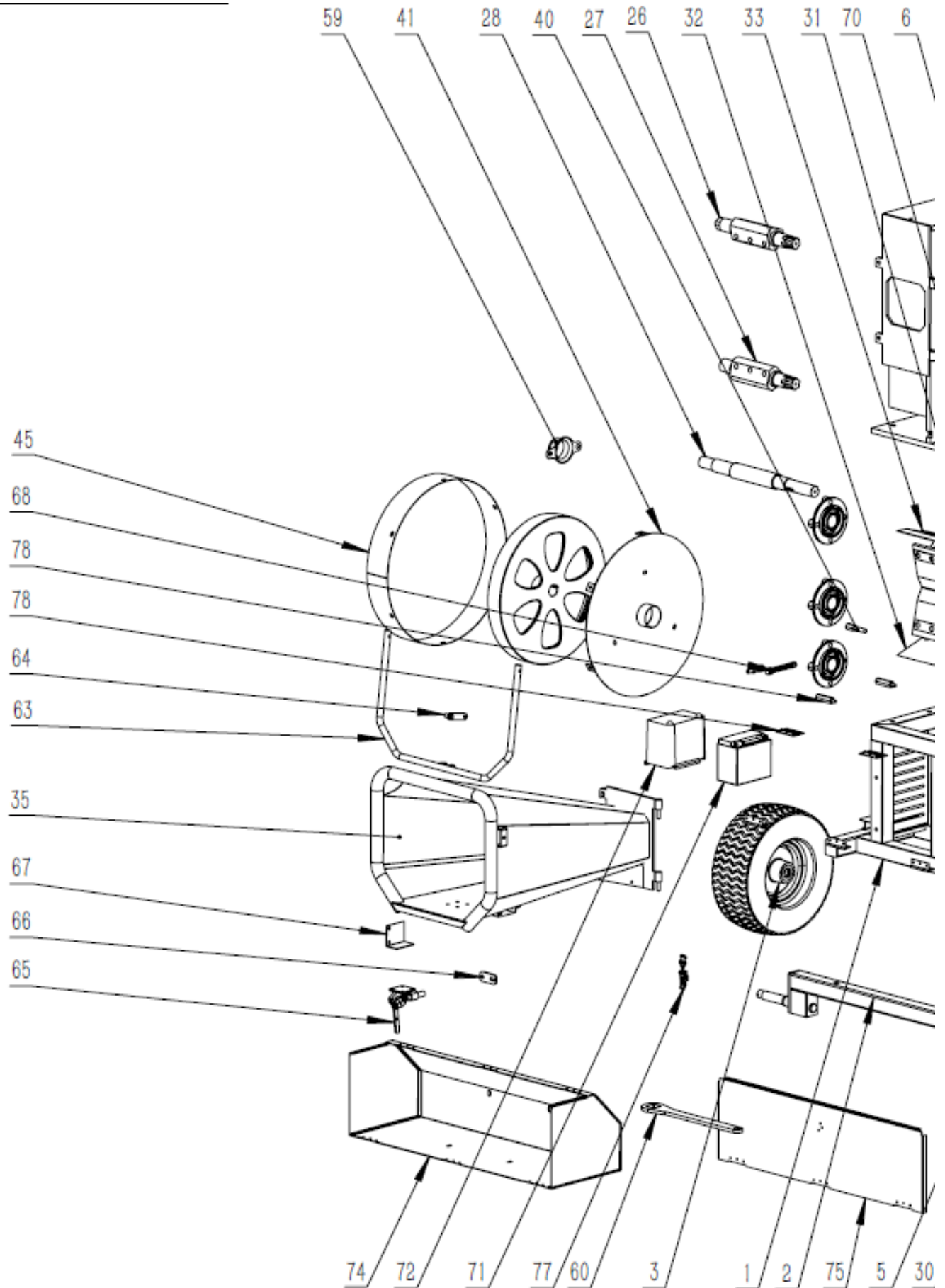
BBC82 PARTS LIST

NO	NAME		NO	NAME
1	Rack		41	Flywheel cover inner
2	Wheel frame		42	Belt cover bottom
3	Heavy wheel hub		43	Flywheel spacer sleeve
4	slotted nut M24*2		44	Big wheel 460
5	16.5x6.5-8 tires		45	Flywheel cover
6	Housing welds		46	Tension wheel connecting rod
7	Outlet mounting plate		47	Tension Roller
8	Universal wheel support		48	Deep groove ball bearing 608
9	deep groove ball bearing		49	Tension wheel spring
10	Universal wheel sleeve left		50	Gasoline engine pad
11	Universal wheel dust cover		51	R500-V2 Engine
12	Universal wheel tires		52	Belt cover pad
13	Universal wheel sleeve right		53	Small puelly
14	Clamp block fixing seat left		54	Belt A1905
15	Clamp block fixed seat right		55	belt cove
16	Upper positioning block left		56	towing bar
17	Upper positioning block right		57	towing hitcher
18	Universal wheel brake spring		58	Chain
19	Pin		59	Axle head cover
20	Pin wrench		60	wrench
21	elastic cylindrical pin 4X18		61	Discharge port hook
22	Latch spring		62	Trash cover
23	Latch seat upper end plate		63	emergency stop bar
24	Pin shaft with holes 5X25		64	emergency stop bar connecter
25	UCFC208 bearing with seat		65	push rod bearings
26	upper shaft		66	push rod connects plate
27	Bottom shaft		67	Contact box cover
28	input shaft		68	emergency compression spring
29	big gear wheel		69	Ring screw M12
30	input gear		70	Butter nozzle M10x1
31	upper blade		71	6DM14 battery
32	bottom blade		72	Plastic battery box
33	Blade clamp		73	Tool box support plate
34	Gear cover		74	Tool box
35	feed hopper		75	Tool box front cover
36	discharge chute		76	Tool box cover
37	Discharge port welding		77	Buckle assembly
38	discharge cover		78	stainless steel hinge
39	Belt cover mounting post		79	Trailer bar latch
40	Belt cover mounting post 2		80	φ4B type pin

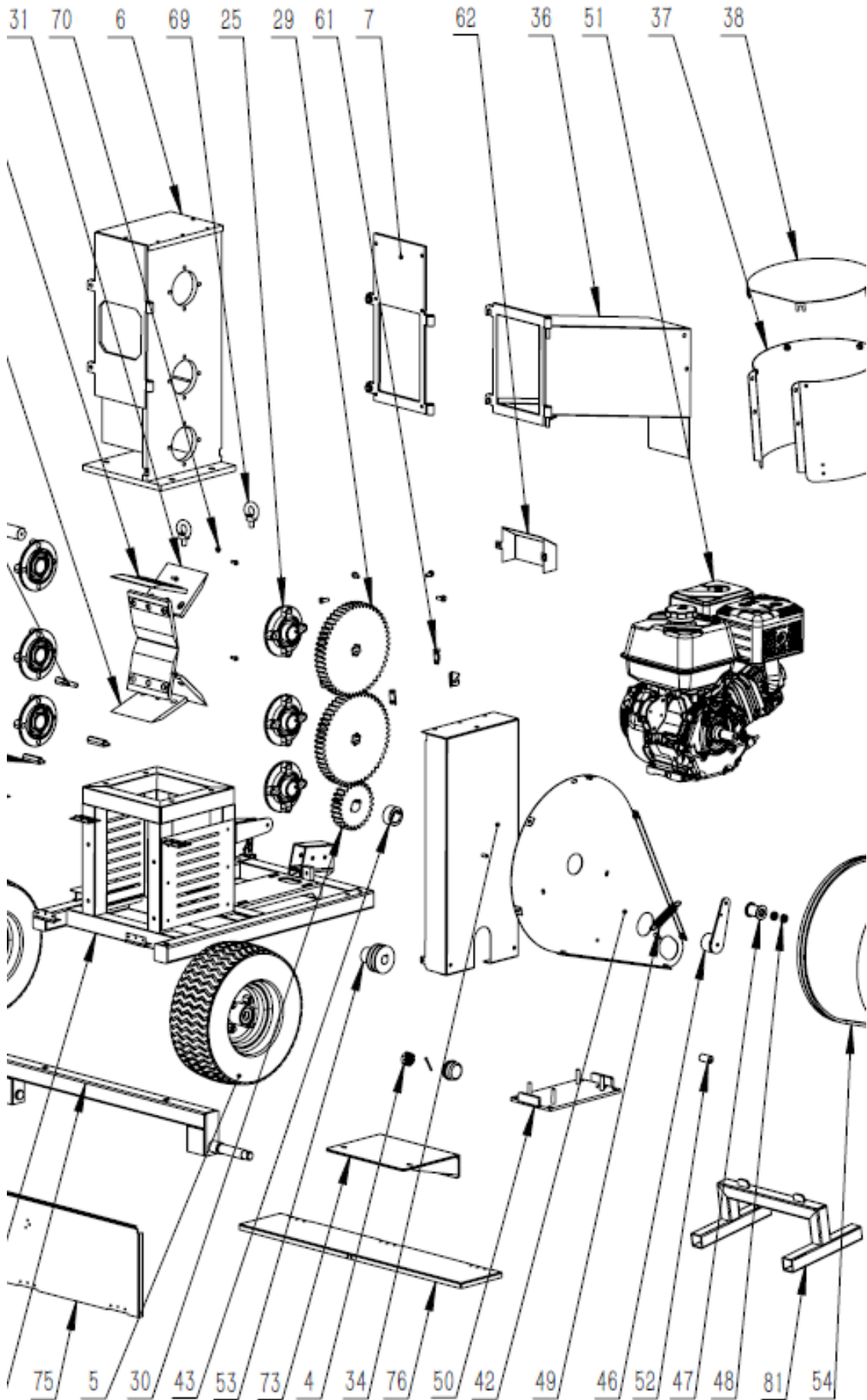
BBC82 PARTS DRAWING



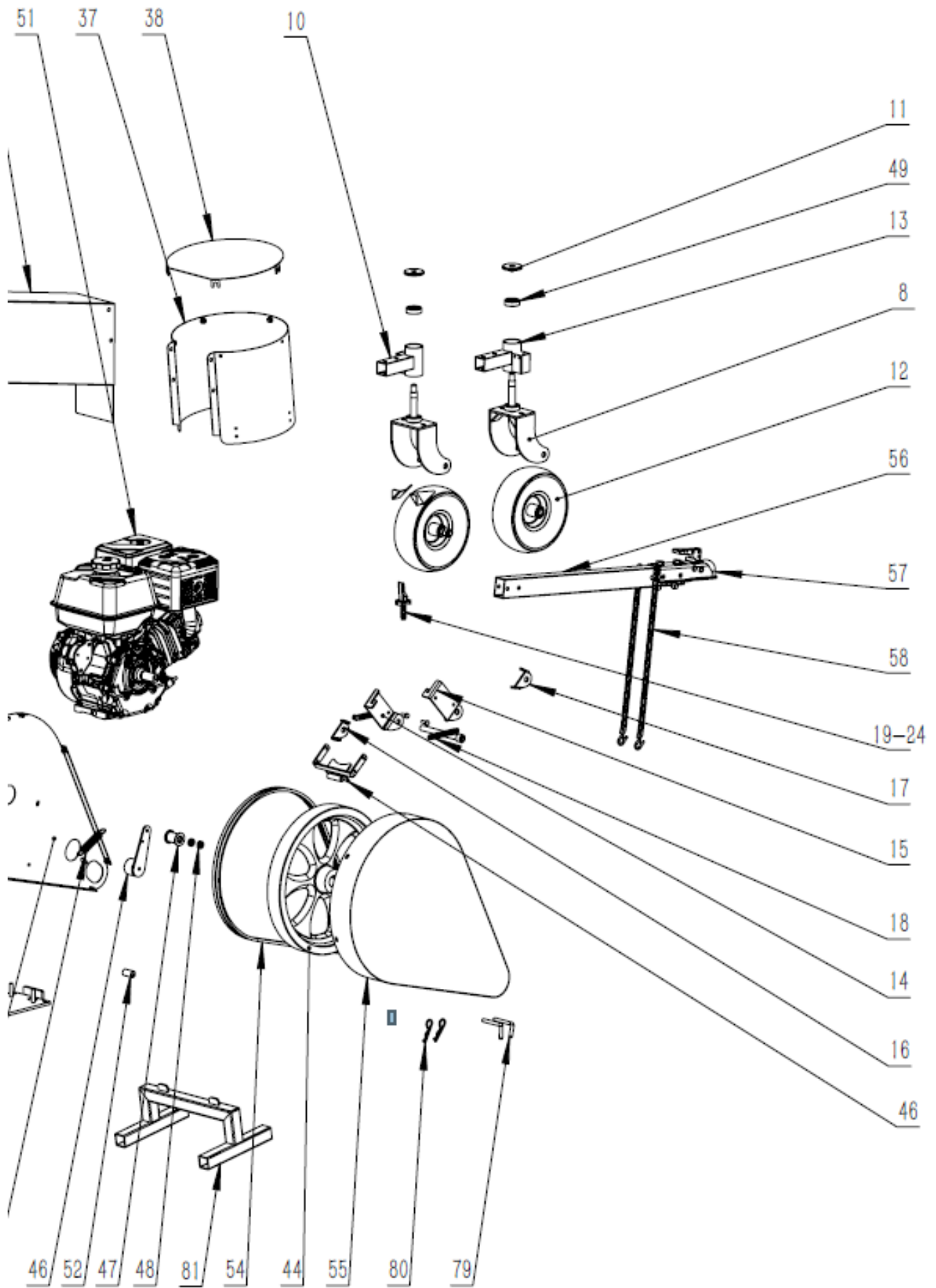
BBC82 PARTS DRAWING



BBC82 PARTS DRAWING



BBC82 PARTS DRAWING





BIG BEAR POWER

**GX COMMERCIAL LLC
4301 S VALLEY VIEW BLVD. STE 10 AND 11
LAS VEGAS, NV 89103**

EXTENDED 5YR LIMITED WARRANTY

- GX COMMERCIAL LLC WARRANTS THIS WOOD LOGGER FOR MANUFACTURES DEFECTS FOR 5 YEARS BOTH ENGINE AND CHASSIS AS FOLLOWS.
- GX COMMERCIAL LLC WILL PROVIDE PARTS AND LABOR WITHIN THE FIRST 30 DAYS AT NO COST TO THE ORIGINAL PURCHASER. GX COMMERCIAL LLC WILL REPAIR OR REPLACE AT OUR OPTION THE DEFECTIVE EQUIPMENT.
- AFTER 30 DAYS GX COMMERCIAL LLC WILL PROVIDE TO THE ORIGINAL PURCHASER FOR 5 YEARS REPLACEMENT PARTS FOR DEFECTIVE PARTS INCLUDING ENGINE AND ALL CHASSIS COMPONENTS.
- ITEMS NOT COVERED BY THIS WARRANTY AFTER 30 DAYS ARE REPAIR LABOR, BLADES, BELTS, TIRES, CUTTING BARS, NUTS AND BOLT HARDWARE AND BATTERIES.
- CUSTOMER ACCEPTED FREIGHT DAMAGE IS NOT COVERED BY WARRANTY.
- MINOR SCRATCH AND DENTS FROM SHIPPING IS NOT COVERED.
- RATO ENGINES ARE 1 YEAR WARRANTY, A 4 YEAR OEM COMMERCIAL EXTENDED WARRANTY IS INCLUDED AT NO EXTRA COST. GX COMMERCIAL LLC WILL REPAIR OR REPLACE RATO ENGINES AT OUR CHOICE FROM 5 YEARS FROM PURCHASE DATE. WARRANTY NOT TRANFERABLE.
- THIS EXTENDED WARRANTY APPLIES TO BOTH RESIDENTIAL AND COMMERCIAL USE OF THE EQUIPMENTS BASED ON PROPER MAINTENACE AND RECORDS OF PROVEN REGULAR SCHEDULED OIL CHANGES, FILTERS AND SPARK PLUG MAINTENACE. NON-INTENDED USE OR MISUSE OF EQUIPMENT IS NOT COVERED.
- DEFECTIVE EQUIPMENT UNDER WARRANTY IS REQUIRED TO BE REPAIRED BY A LICENCED MECHANIC. PARTS WILL BE SENT TO THE REPAIR SHOP OF THE CUSTOMERS CHOICE AT NO COST DURING THE WARRANTY PERIOD.