

Installation Instructions

GuardDogg® Accessories

Tools Required

- 1/2" Open or Socket Wrench (2)

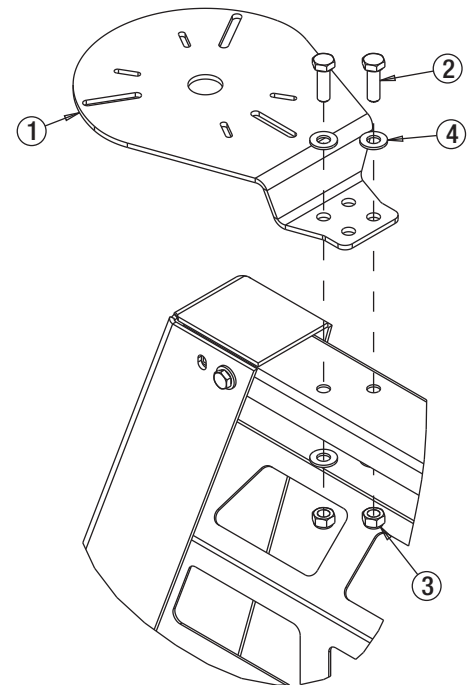
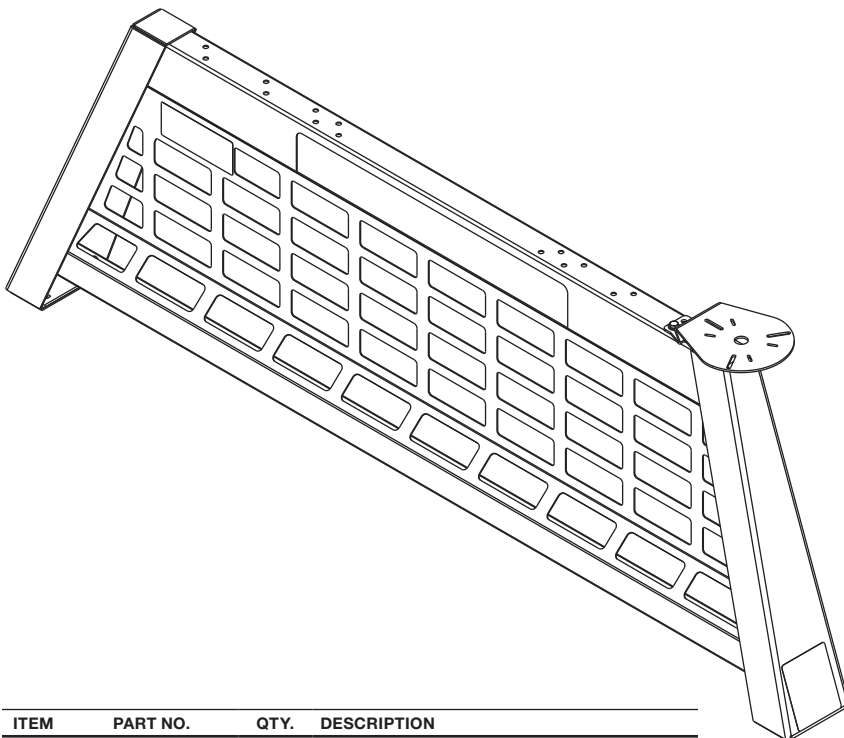
IMPORTANT: Prior to installation, check owner's manual or contact your truck manufacturer for all necessary pickup box reinforcement kits. Always install recommended kits prior to window protector installation. Failure to follow this procedure may void truck's warranty. Never exceed recommended maximum combined weight of equipment and cargo, recommended by truck's manufacturer. Place installation instructions and warranty information in vehicle glove box after installation.

CAUTION

- Park your vehicle on flat, horizontal surface. Apply parking brake or use wheel chocks to prevent accidental rolling.
- To keep debris out of your eyes always wear protective eyewear.
- Tighten screws and nuts only when it is recommended by these instructions.
- Check contents of box against part list to ensure all components are included

851453 – GuardDogg®, Light Mount, Beacon

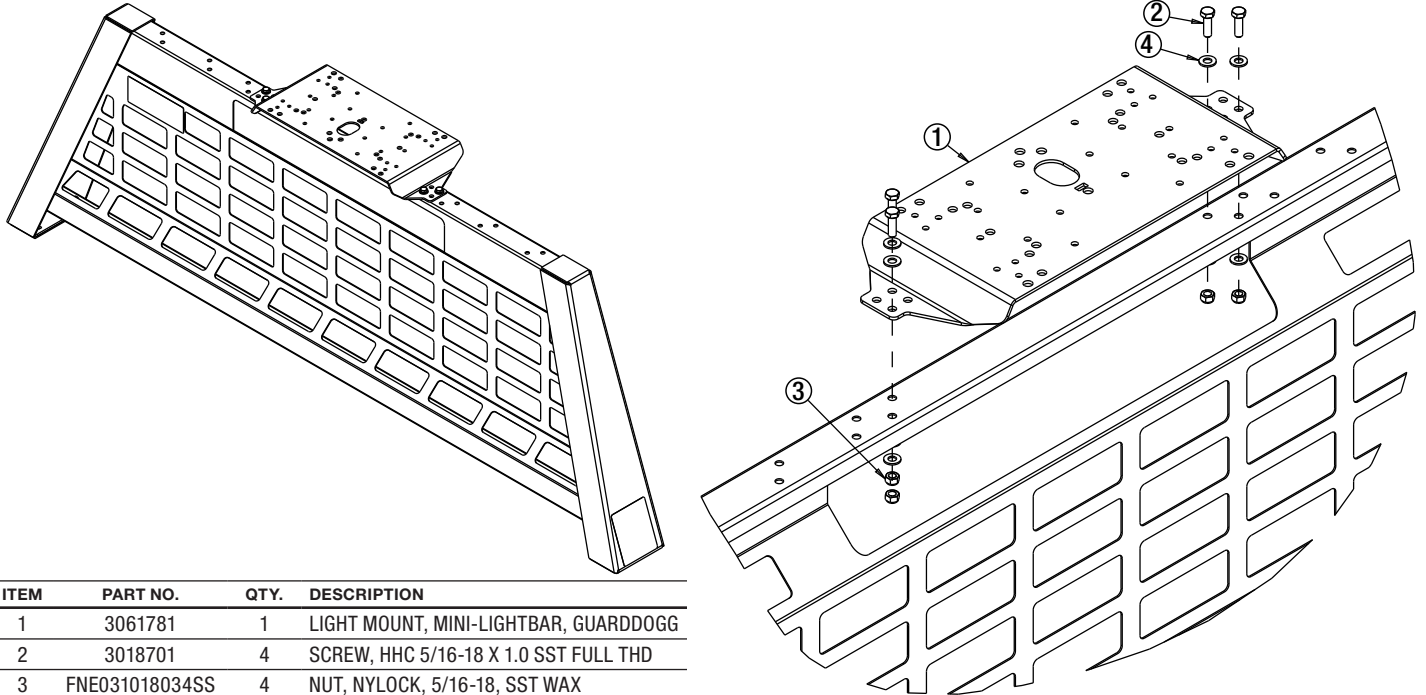
1. Place the beacon mount on top of the Guard Dogg on the driver/passenger side accordingly.
2. Align holes and secure with screws, washers, and nuts.
3. Secure the mount by tightening the screws and nuts firmly. Do not over torque.



ITEM	PART NO.	QTY.	DESCRIPTION
1	3061783	1	LIGHT MOUNT, BEACON, GUARD DOGG
2	3018701	2	SCREW, HHC 5/16-18 X 1.0 SST FULL THD
3	FNE031018034SS	2	NUT, NYLOCK, 5/16-18, SST WAX
4	FWF031075006SS	4	WASHER, FLAT, 5/16 X .688 X .065, SST

851463 – GuardDogg®, Light Mount, Mini Lightbar

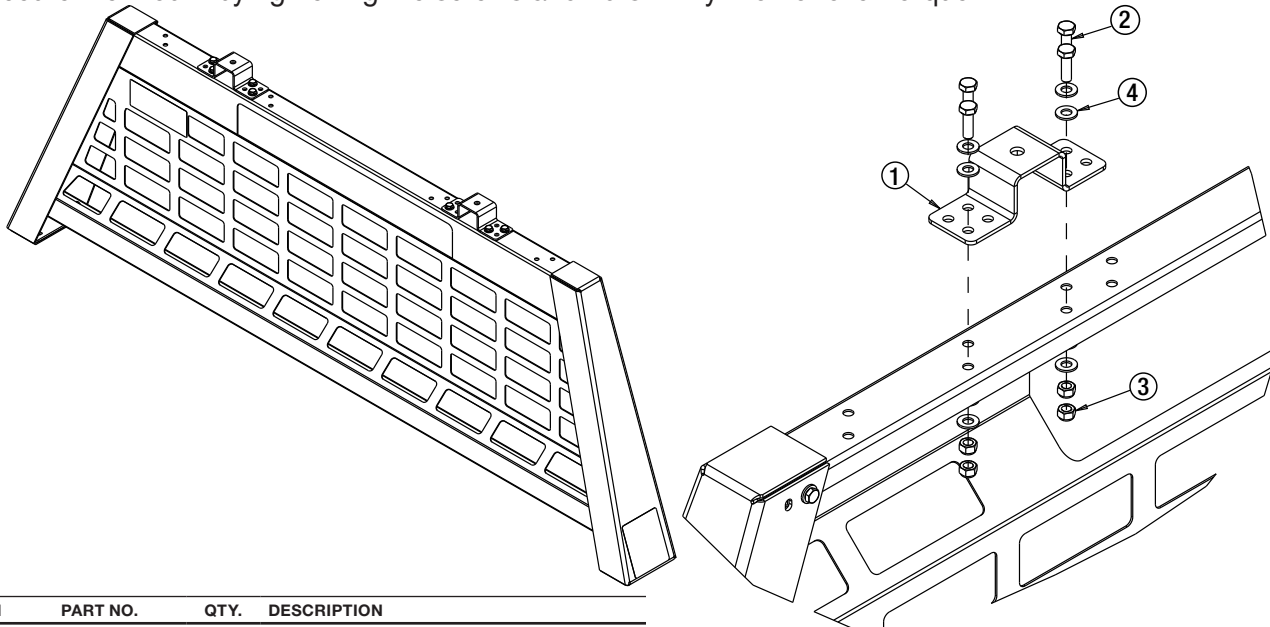
1. Place the mini-lightbar mount on top of the Guard Dogg in the center in the orientation shown.
2. Align holes and secure with screws, washers, and nuts.
3. Secure the mount by tightening the screws and nuts firmly. Do not over torque.



ITEM	PART NO.	QTY.	DESCRIPTION
1	3061781	1	LIGHT MOUNT, MINI-LIGHTBAR, GUARDDOGG
2	3018701	4	SCREW, HHC 5/16-18 X 1.0 SST FULL THD
3	FNE031018034SS	4	NUT, NYLOCK, 5/16-18, SST WAX
4	FWF031075006SS	8	WASHER, FLAT, 5/16 X .688 X .065, SST

851473 – GuardDogg®, Light Mount, Spot/Flood

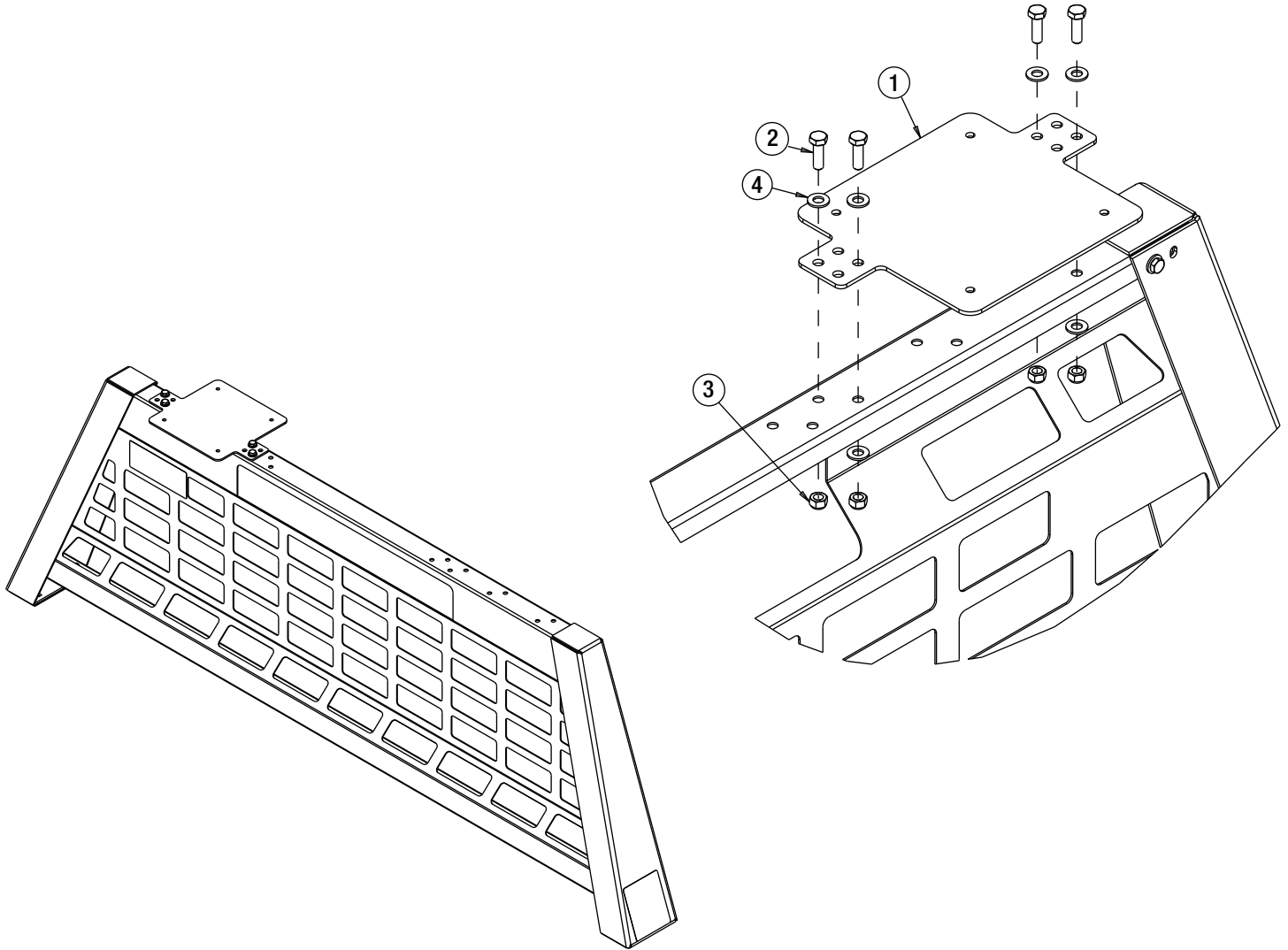
1. Place the spot/flood mounts on top of the Guard Dogg in the positions shown.
2. Align holes and secure with screws, washers, and nuts.
3. Secure the mount by tightening the screws and nuts firmly. Do not over torque.



ITEM	PART NO.	QTY.	DESCRIPTION
1	3061784	2	LIGHT MOUNT, SPOT / FLOOD, GUARDDOGG
2	3018701	8	SCREW, HHC 5/16-18 X 1.0 SST FULL THD
3	FNE031018034SS	8	NUT, NYLOCK, 5/16-18, SST WAX
4	FWF031075006SS	16	WASHER, FLAT, 5/16 X .688 X .065, SST

851483 – GuardDogg®, Light Mount, Rotating Spotlight

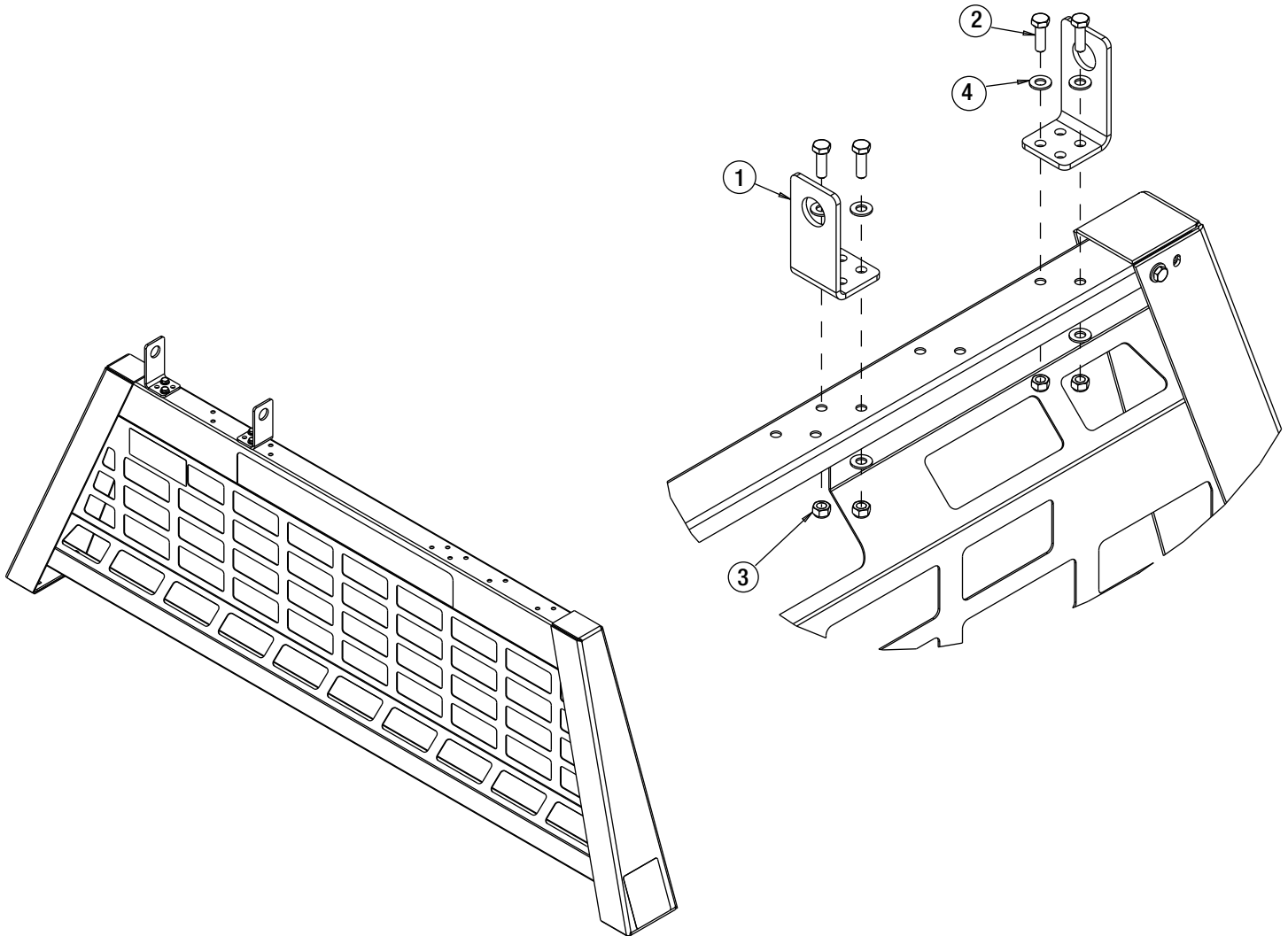
1. Place the remote light mount on top of the Guard Dogg in the driver/passenger side in the orientation shown. The mount can be flipped if necessary.
2. Align holes and secure with screws, washers, and nuts.
3. Secure the mount by tightening the screws and nuts firmly. Do not over torque.



ITEM	PART NO.	QTY.	DESCRIPTION
1	3061785	1	LIGHT MOUNT, REMOTE LIGHT, GUARDDOGG
2	3018701	4	SCREW, HHC 5/16-18 X 1.0 SST FULL THD
3	FNE031018034SS	4	NUT, NYLOCK, 5/16-18, SST WAX
4	FWF031075006SS	8	WASHER, FLAT, 5/16 X .688 X .065, SST

851493 – GuardDogg® , Ladder Keeper

1. Place the ladder stop mounts on top of the Guard Dogg in the orientations shown at the desired distance.
2. Align holes and secure with screws, washers, and nuts.
3. Secure the mount by tightening the screws and nuts firmly. Do not over torque.



ITEM	PART NO.	QTY.	DESCRIPTION
1	3061782	2	LIGHT MOUNT, LADDER STOP, GUARDDOGG
2	3018701	4	SCREW, HHC 5/16-18 X 1.0 SST FULL THD
3	FNE031018034SS	4	NUT, NYLOCK, 5/16-18, SST WAX
4	FWF031075006SS	8	WASHER, FLAT, 5/16 X .688 X .065, SST

WARRANTY

Buyers Products Co. warrants all truck/trailer hardware manufactured or distributed by it, to be free from defects in material and workmanship for a period of one year from date of shipment. Parts must be properly installed and used under normal conditions. Any product which has been altered, including modification, misuse, accident or lack of maintenance will not be considered under warranty. Normal wear is excluded. The sole responsibility of Buyers Products Co. under this warranty is limited to repairing or replacing any part or parts which are returned, prepaid, and are found to be defective by Buyers Products Co. Authorization from Buyers Products Co. must be obtained before returning any part. No charges for transportation or labor performed on Buyers' products will be allowed under this warranty.